



US00D639338S

(12) **United States Design Patent**
Hung

(10) **Patent No.:** **US D639,338 S**

(45) **Date of Patent:** **** Jun. 7, 2011**

(54) **MARKER**

(75) Inventor: **Peter M. H. Hung**, Kowloon (HK)

(73) Assignee: **Fulon Development Limited**, Kowloon (HK)

(**) Term: **14 Years**

(21) Appl. No.: **29/362,884**

(22) Filed: **Jun. 1, 2010**

(51) **LOC (9) Cl.** **19-06**

(52) **U.S. Cl.** **D19/41**

(58) **Field of Classification Search** D14/411,
D14/431; D19/35, 36, 41, 42, 43, 44, 45,
D19/46, 47, 48, 49, 50, 51, 54, 55, 56, 57;
D28/76, 82, 90; 24/11 F, 11 P, 11 R; 401/34,
401/52, 99, 100, 104, 105, 106, 107, 108,
401/109, 192, 195, 196
See application file for complete search history.

(56) **References Cited**

U.S. PATENT DOCUMENTS

D145,431 S *	8/1946	Flanagan	D19/42
D291,373 S *	8/1987	Korper	D28/57
D305,914 S *	2/1990	Ukisu	D21/483
D313,245 S *	12/1990	Iwase	D19/43
D397,148 S *	8/1998	Luntz	D19/36
5,996,185 A *	12/1999	Luntz	24/11 F

D450,767 S *	11/2001	Itoh et al.	D19/41
D482,726 S *	11/2003	Hung	D19/43
D482,727 S *	11/2003	Hung	D19/43
D514,162 S *	1/2006	Hung	D19/43
D535,330 S *	1/2007	Hung	D19/43
D548,786 S *	8/2007	O'Hern et al.	D19/47
7,448,767 B2 *	11/2008	Zhang	362/118
D585,490 S *	1/2009	Puglisi	D19/48
D602,525 S *	10/2009	O'Hern et al.	D19/36
2007/0258752 A1 *	11/2007	O'Hern	401/195

* cited by examiner

Primary Examiner — Karen E Eldridge Powers

(74) *Attorney, Agent, or Firm* — Rabin & Berdo, P.C.

(57) **CLAIM**

The ornamental design for a marker, as shown and described.

DESCRIPTION

FIG. 1 is a perspective view of a marker showing my new design;

FIG. 2 is a front view thereof;

FIG. 3 is a left side view thereof;

FIG. 4 is a right side view thereof;

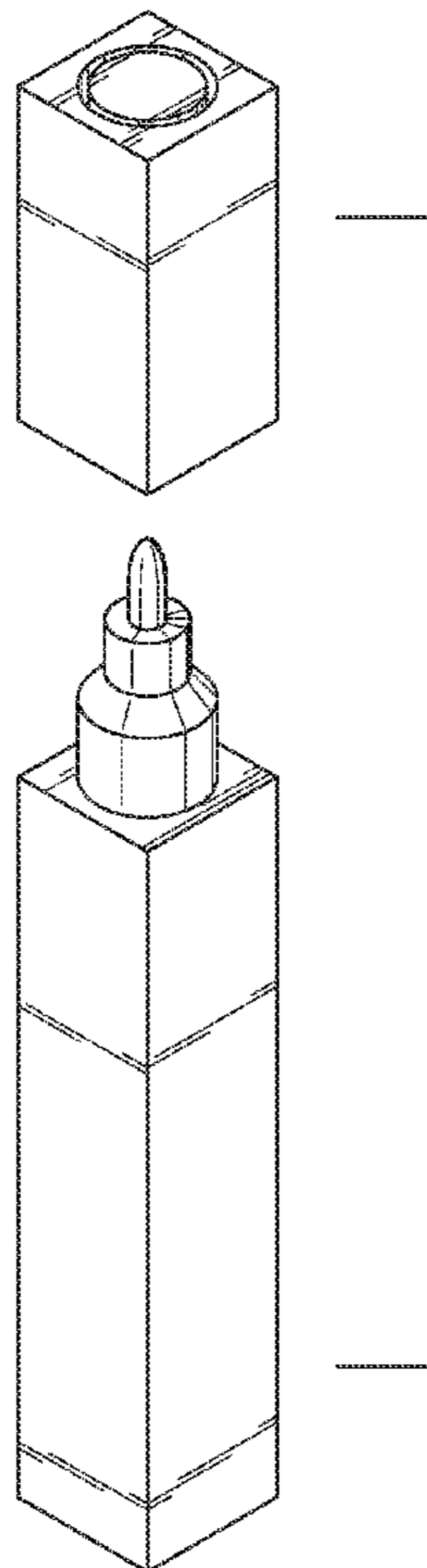
FIG. 5 is a rear view thereof;

FIG. 6 is a top view thereof;

FIG. 7 is a bottom view thereof; and,

FIG. 8 is a perspective view with cap separated thereof.

1 Claim, 3 Drawing Sheets



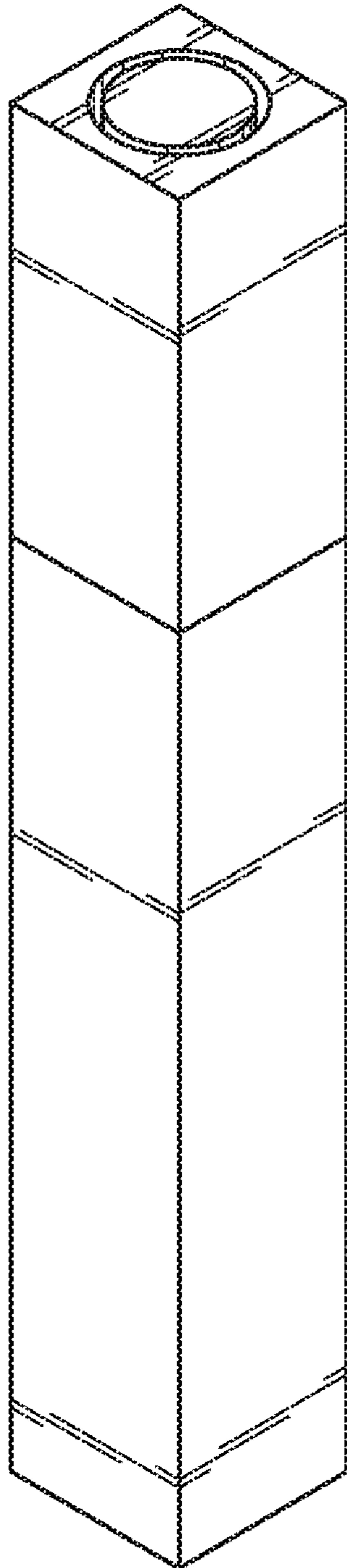


FIG. 1

FIG. 6

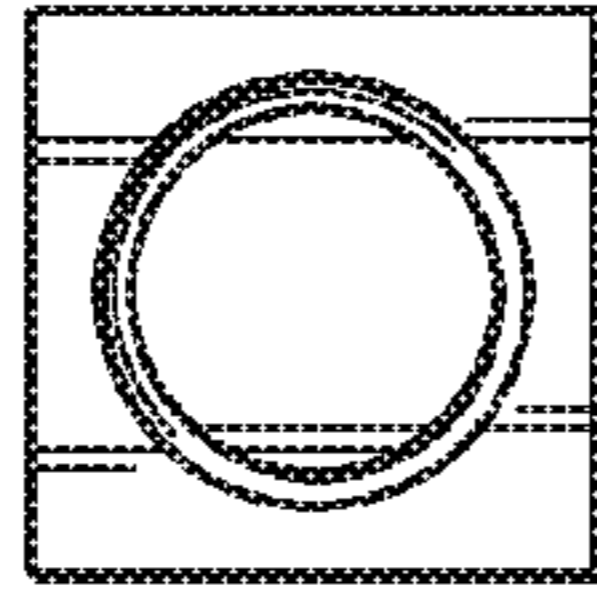


FIG. 7

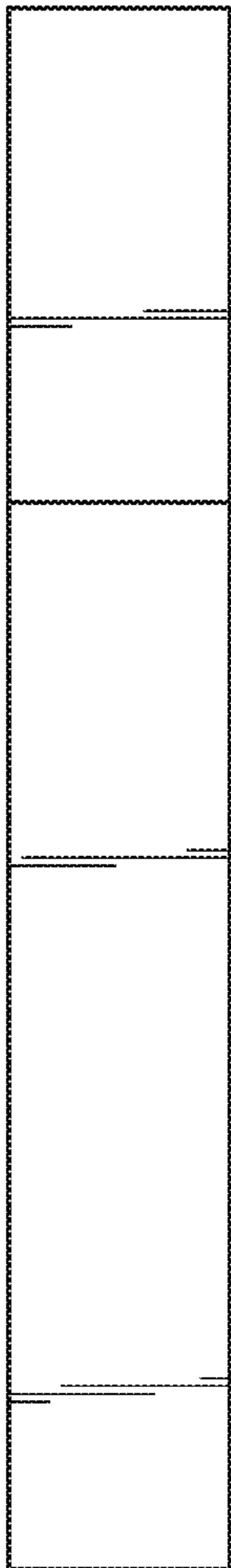
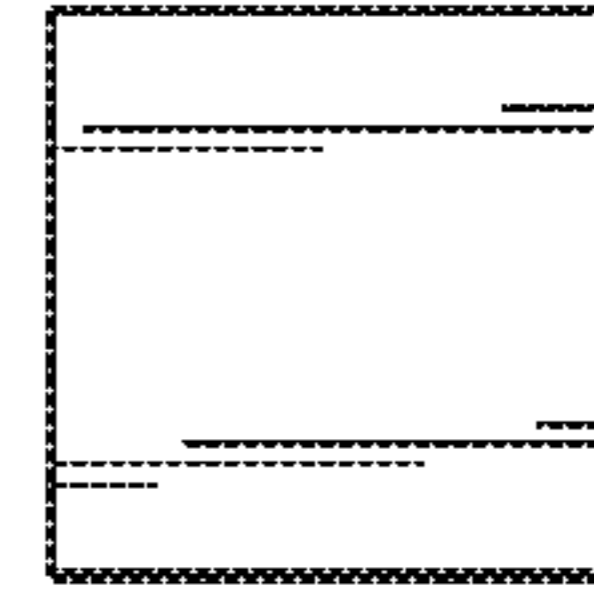


FIG. 3

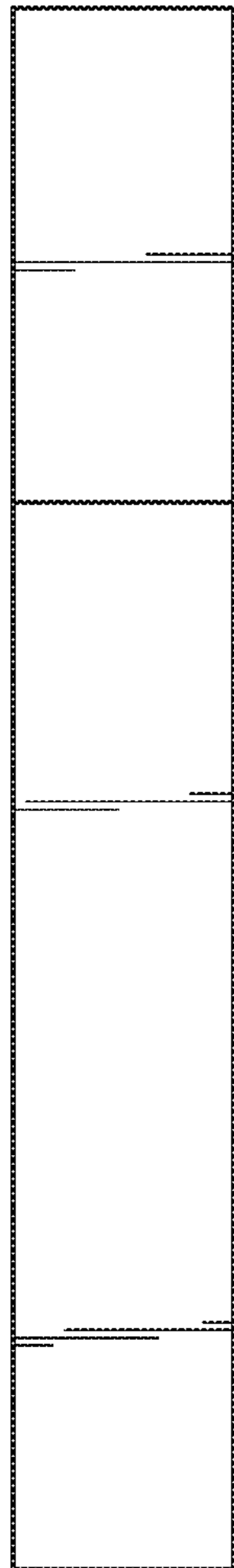


FIG. 2

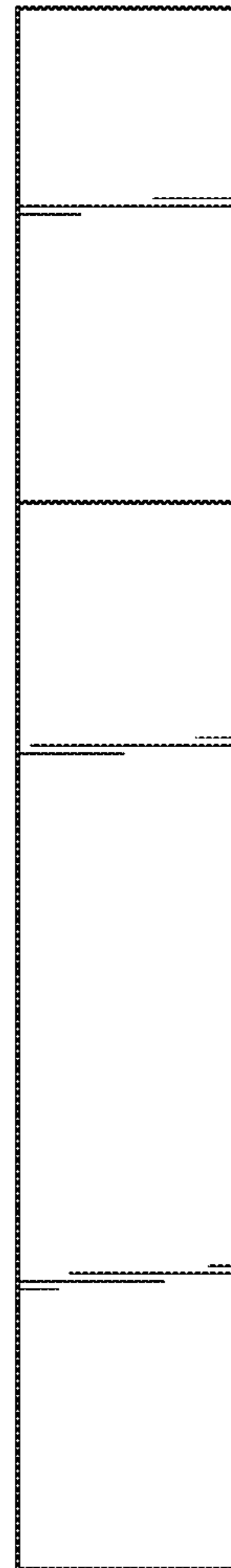


FIG. 4

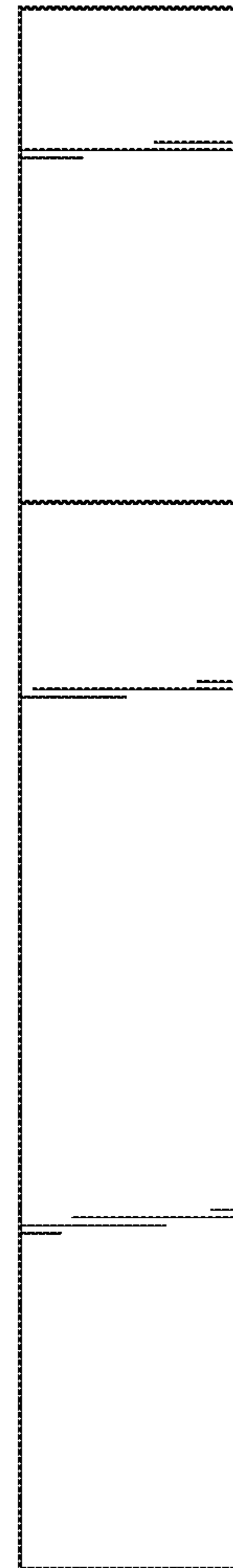


FIG. 5

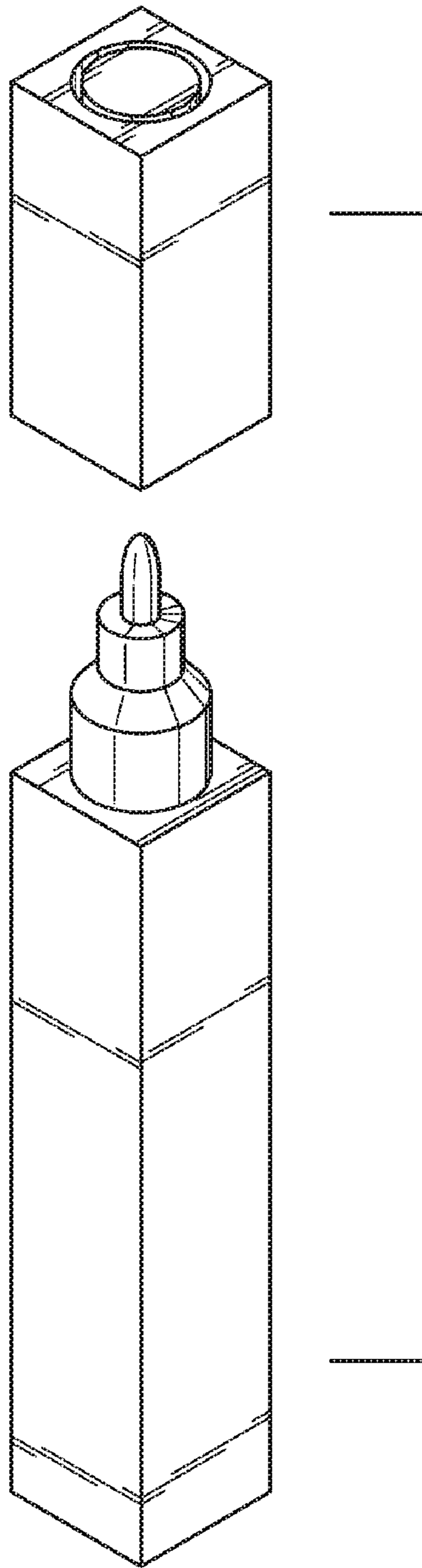


FIG. 8