

US00D639337S

(12) **United States Design Patent**
Hung

(10) **Patent No.:** **US D639,337 S**

(45) **Date of Patent:** **** Jun. 7, 2011**

(54) **MARKER**

(75) **Inventor:** **Peter M. H. Hung**, Kowloon (HK)

(73) **Assignee:** **Fulon Development Limited**, Kowloon (HK)

(**) **Term:** **14 Years**

(21) **Appl. No.:** **29/362,885**

(22) **Filed:** **Jun. 1, 2010**

(51) **LOC (9) Cl.** **19-06**

(52) **U.S. Cl.** **D19/36**

(58) **Field of Classification Search** D14/411,
D14/431; D19/35, 36, 41, 42, 43, 44, 45,
D19/46, 47, 48, 49, 50, 51, 54, 55, 56, 57;
D28/76, 82, 90; 24/11 F, 11 P, 11 R; 401/34,
401/52, 99, 100, 104, 105, 106, 107, 108,
401/109, 192, 195, 196

See application file for complete search history.

(56) **References Cited**

U.S. PATENT DOCUMENTS

D145,431	S	*	8/1946	Flanagan	D19/42
D282,378	S	*	1/1986	Ohyabu et al.	D19/43
D291,373	S	*	8/1987	Korper	D28/57
D313,621	S	*	1/1991	Yazaki	D19/48
D313,623	S	*	1/1991	Yazaki	D19/48
D397,148	S	*	8/1998	Luntz	D19/36
5,957,601	A	*	9/1999	Weiss	401/18
5,996,185	A	*	12/1999	Luntz	24/11 F

6,474,887	B2	*	11/2002	Ozu	401/23
D470,885	S	*	2/2003	Tahara	D19/36
D548,786	S	*	8/2007	O'Hern et al.	D19/47
D553,683	S	*	10/2007	Gerules et al.	D19/54
7,448,767	B2	*	11/2008	Zhang	362/118
D585,489	S	*	1/2009	Han et al.	D19/36
D585,490	S	*	1/2009	Puglisi	D19/48
D589,555	S	*	3/2009	Li	D19/36
D590,876	S	*	4/2009	Shi	D19/36
D602,525	S	*	10/2009	O'Hern et al.	D19/36
D628,628	S	*	12/2010	Hung	D19/36
2007/0258752	A1	*	11/2007	O'Hern	401/195

* cited by examiner

Primary Examiner — Karen E Eldridge Powers

(74) *Attorney, Agent, or Firm* — Rabin & Berdo, P.C.

(57) **CLAIM**

The ornamental design for a marker, as shown and described.

DESCRIPTION

FIG. 1 is a perspective view of a marker showing my new design;

FIG. 2 is a front view thereof;

FIG. 3 is a left side view thereof;

FIG. 4 is a right side thereof;

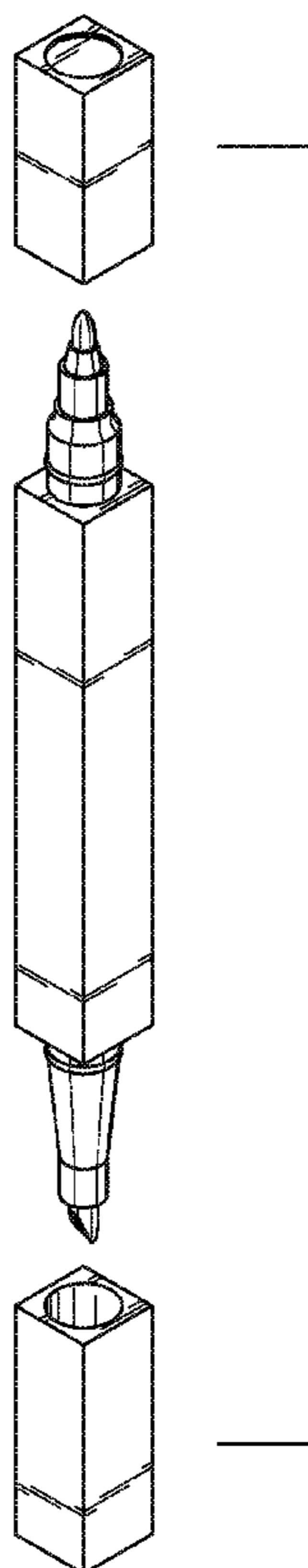
FIG. 5 is a rear view thereof;

FIG. 6 is a top view thereof;

FIG. 7 is a bottom view thereof; and,

FIG. 8 is a perspective view with caps separated thereof.

1 Claim, 3 Drawing Sheets



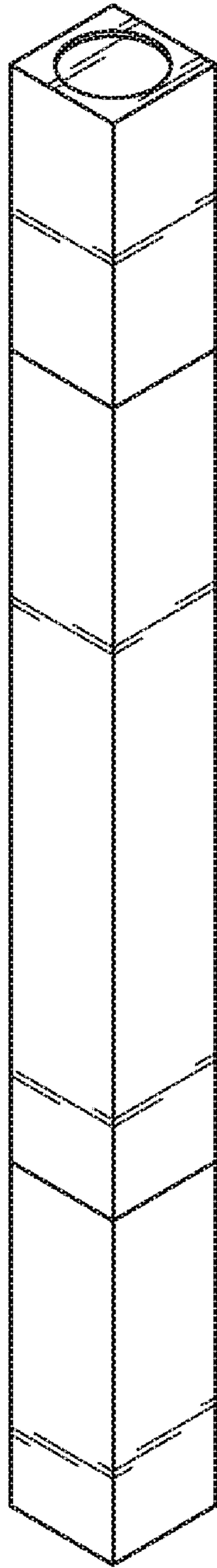


FIG. 1

FIG. 6

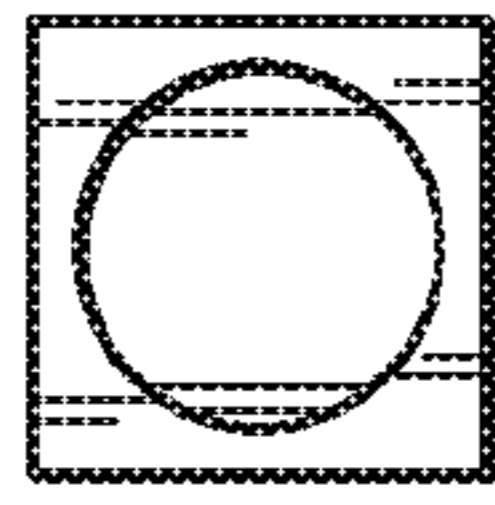


FIG. 7

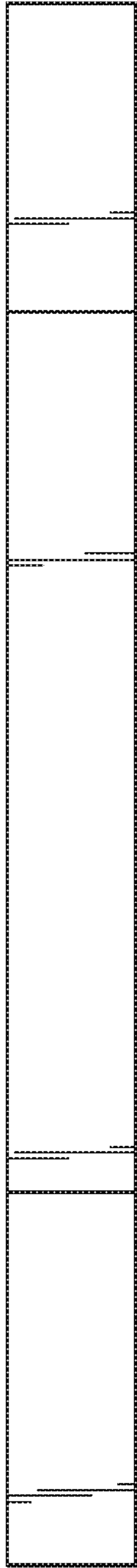
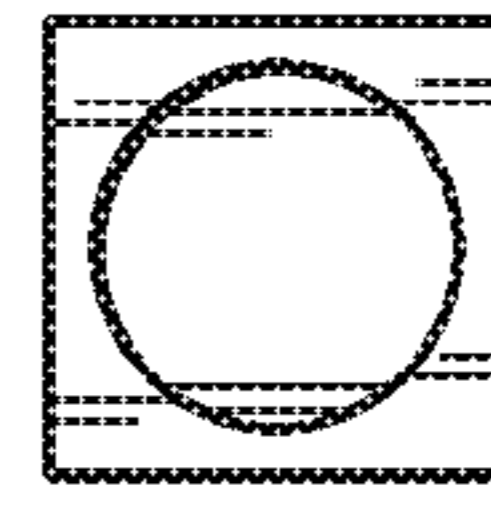


FIG. 3

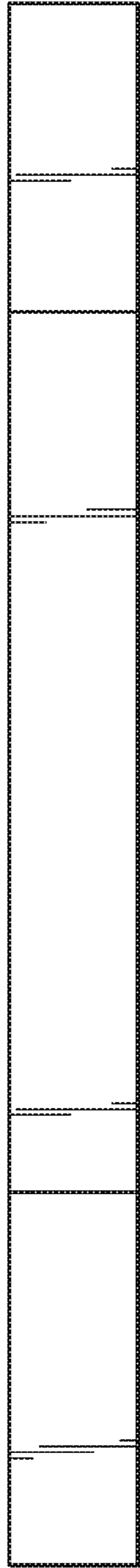


FIG. 2

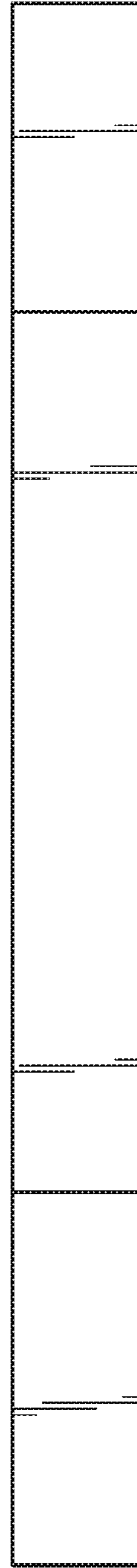


FIG. 4



FIG. 5

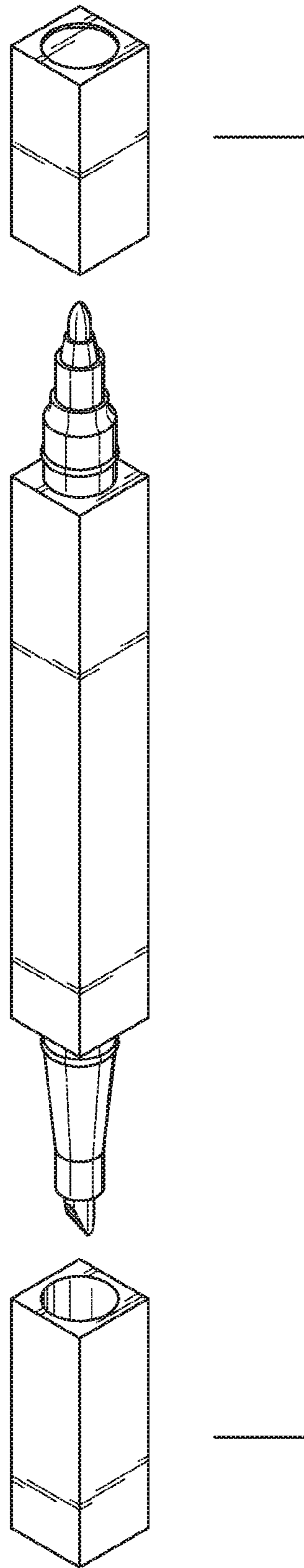


FIG. 8