



US00D639336S

(12) **United States Design Patent**
Houmes

(10) **Patent No.:** **US D639,336 S**

(45) **Date of Patent:** **** Jun. 7, 2011**

(54) **BINDER SPACER**

(76) Inventor: **Douglas T. Houmes**, Vail, AZ (US)

(**) Term: **14 Years**

(21) Appl. No.: **29/354,244**

(22) Filed: **Jan. 21, 2010**

(51) **LOC (9) Cl.** **19-04**

(52) **U.S. Cl.** **D19/32**

(58) **Field of Classification Search** D19/1,
D19/2, 27, 32, 33, 34; 24/67 R, 67.9; 40/666;
402/19, 73, 76; 281/42, 45; 116/234, 237,
116/239

See application file for complete search history.

(56) **References Cited**

U.S. PATENT DOCUMENTS

1,540,777	A *	6/1925	Hellerman	116/239
1,674,265	A *	6/1928	Roeger	402/48
D152,153	S *	12/1948	Harvey	D6/349
3,875,621	A *	4/1975	Karami	24/67 R
4,531,764	A *	7/1985	Chang	281/29
4,997,207	A *	3/1991	Feldman	281/18
D339,605	S *	9/1993	Peleman	D19/32
5,267,804	A *	12/1993	Baumgarten	402/80 R
D366,496	S *	1/1996	Yiu	D19/32
5,634,666	A *	6/1997	Lee	281/20
5,695,219	A *	12/1997	Crawford	283/39
D415,522	S *	10/1999	Ostrander	D19/32
5,992,887	A *	11/1999	Maruchi	281/42
6,467,808	B1 *	10/2002	Kirby	281/22

7,578,257 B1 * 8/2009 Capamaggio et al. 116/237
* cited by examiner

Primary Examiner — T. Chase Nelson
Assistant Examiner — Kathleen M Sims

(57) **CLAIM**

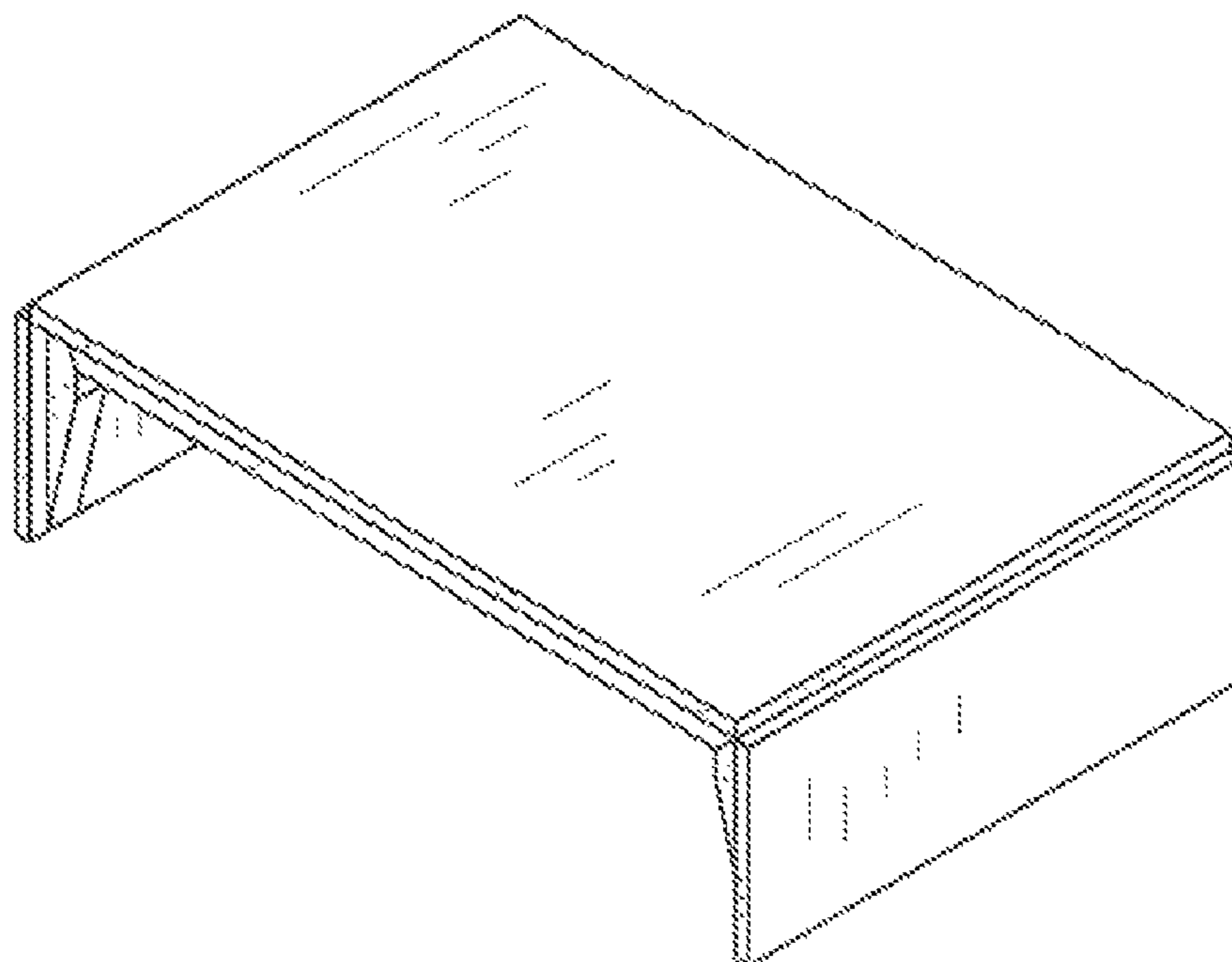
The ornamental design for a binder spacer, as shown and described.

DESCRIPTION

FIG. 1 is a perspective front view of a binder spacer, in a folded position showing my new design;
FIG. 2 is a perspective back view in use on a binder in an expanded position thereof;
FIG. 3 is a top view (bottom view is same image) in use on a binder in a closed position thereof;
FIG. 4 is a front closed view thereof;
FIG. 5 is a back closed view thereof; and
FIG. 6 is a back side view (opposite side view is same image) in a closed position thereof;
FIG. 7 is a top view (bottom view is same image) in a closed position thereof;
FIG. 8 is an isometric front closed view thereof;
FIG. 9 is an isometric back view in a closed position thereof;
FIG. 10 is an isometric back view in a partially open position thereof; and,
FIG. 11 is an isometric back view in a fully open position thereof.

The broken line showing of elements in FIGS. 1, 2, and 3 is included for the purpose of showing environmental structure of the binder spacer and forms no part of the claimed design.

1 Claim, 7 Drawing Sheets



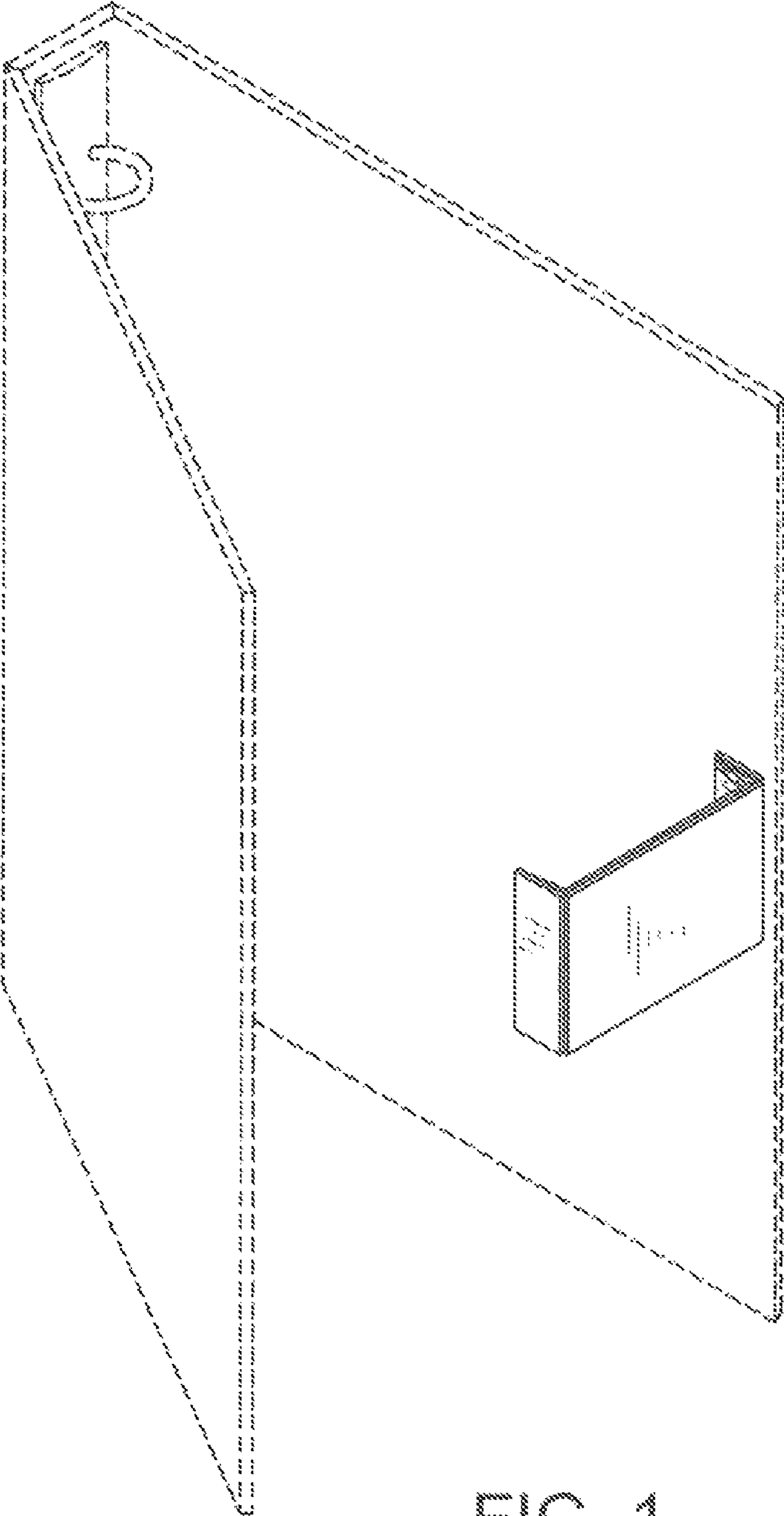


FIG. 1

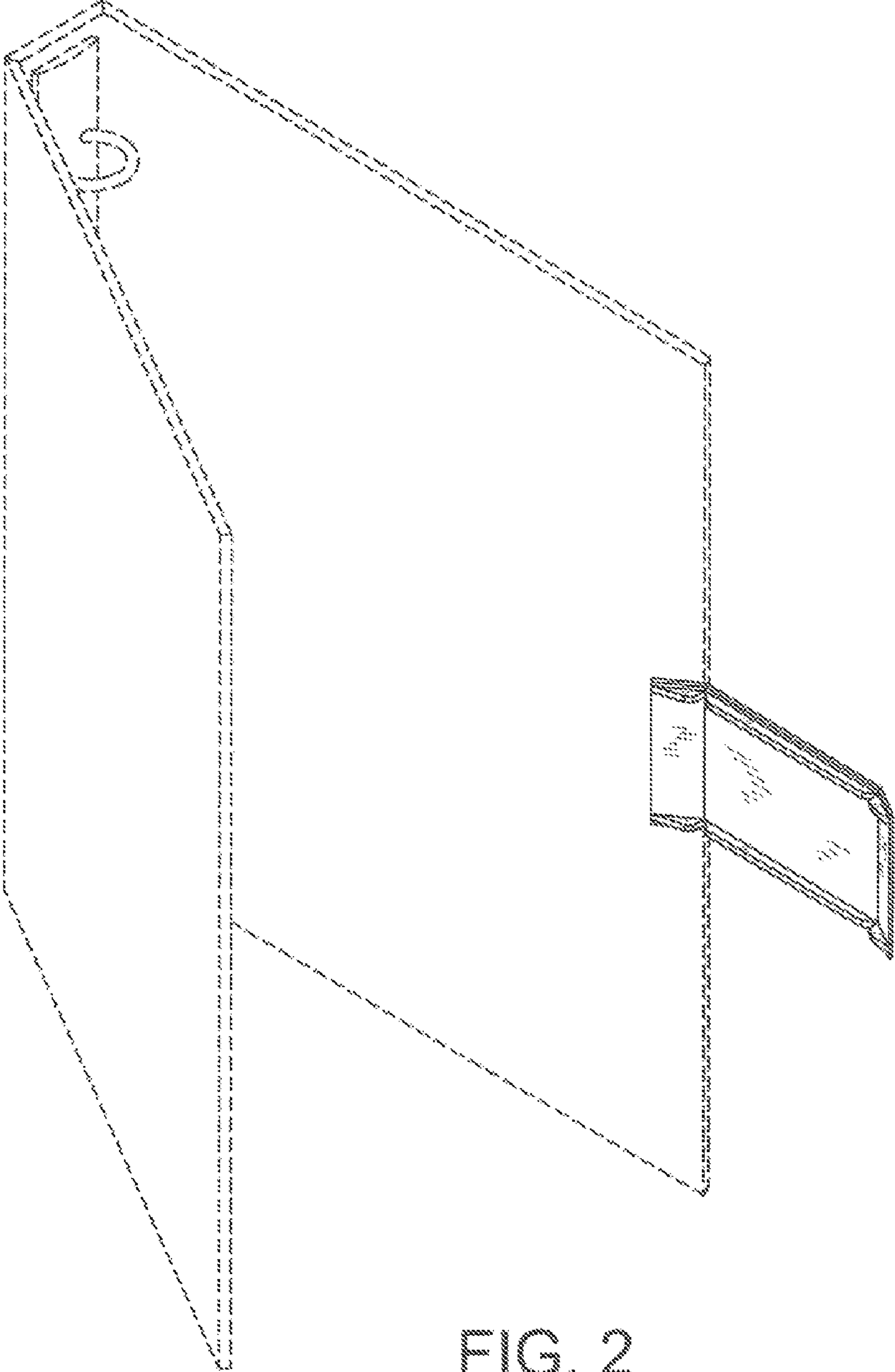


FIG. 2

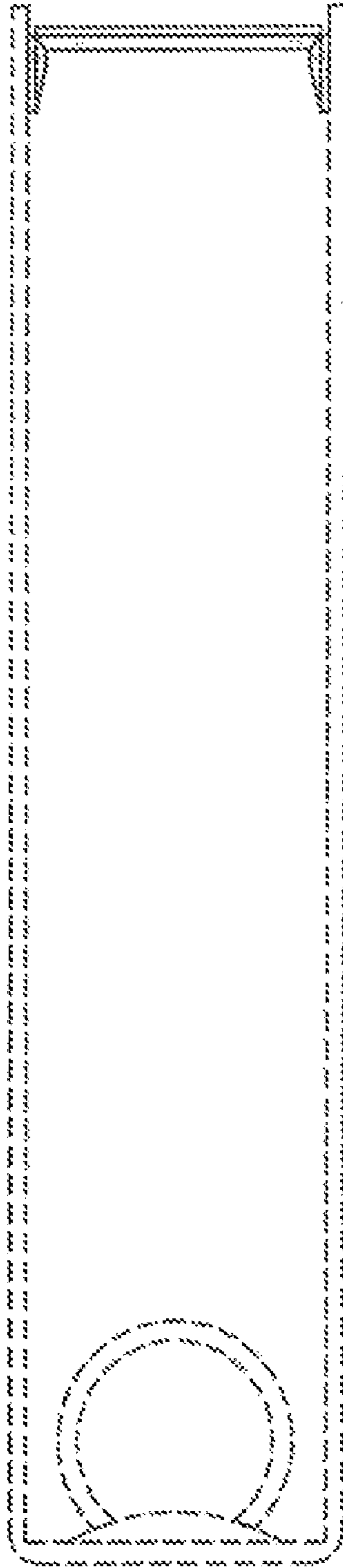


FIG. 3

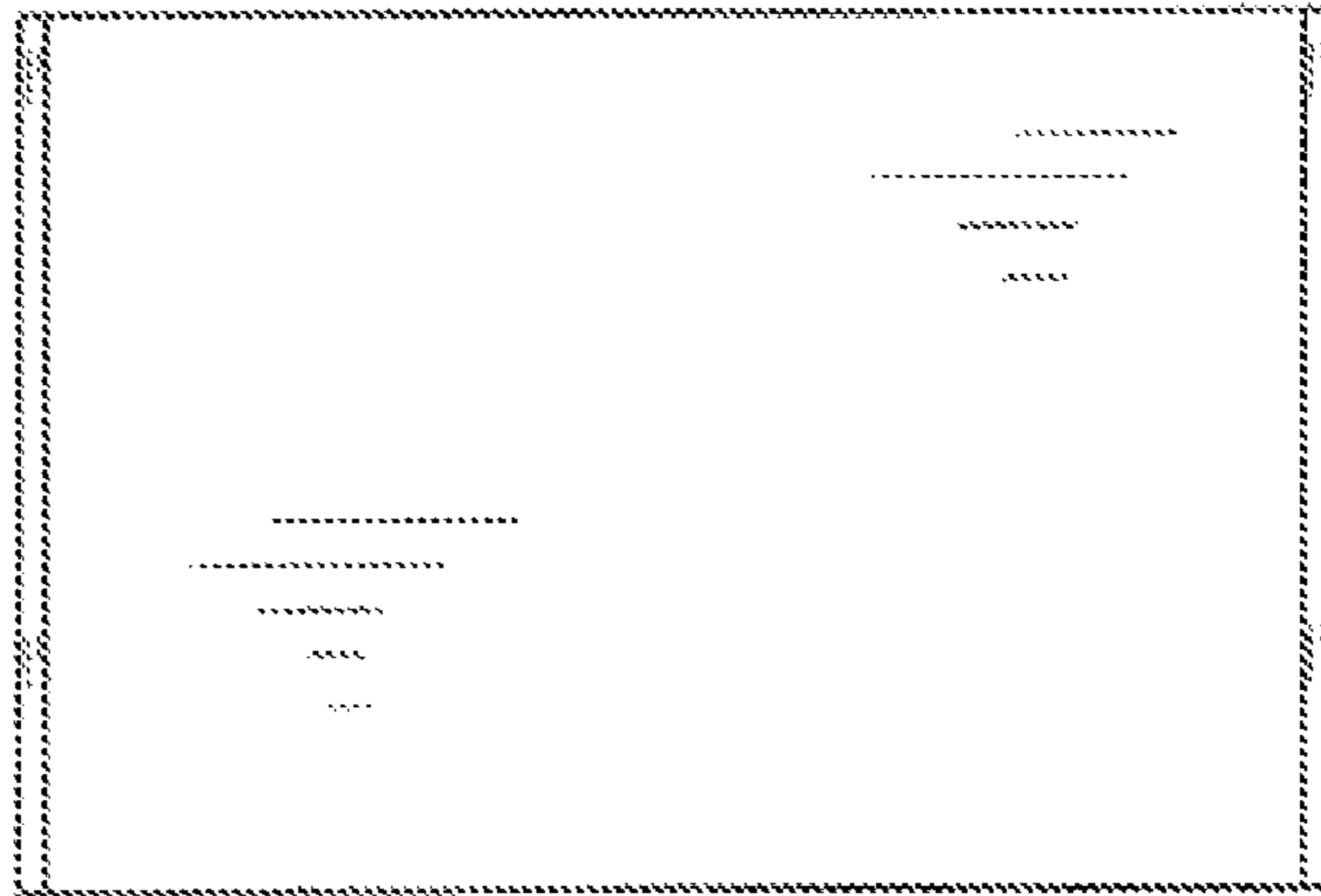


FIG. 4

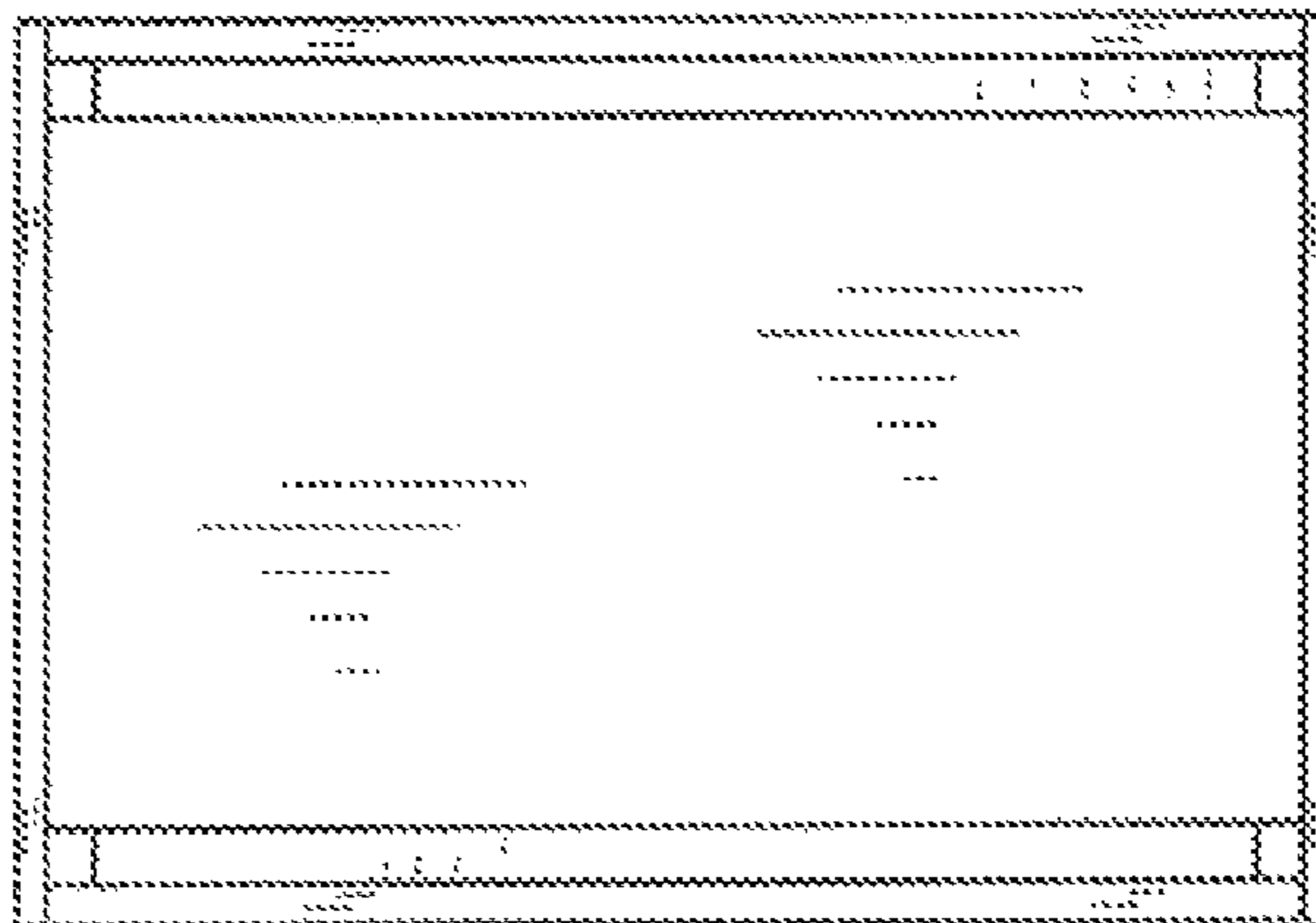


FIG. 5

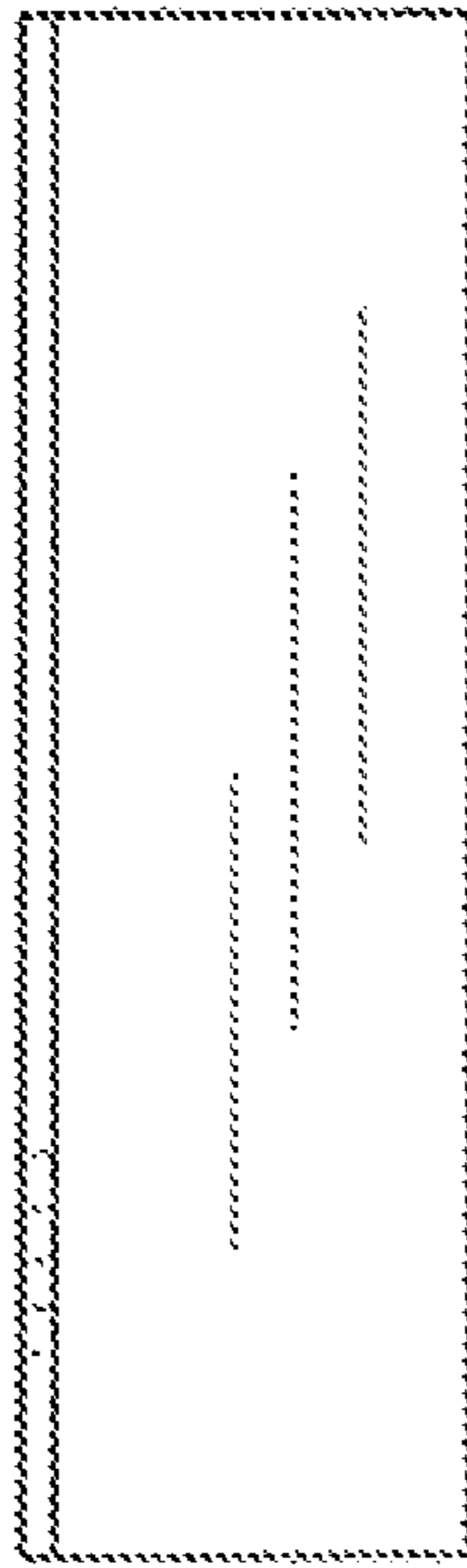


FIG. 6

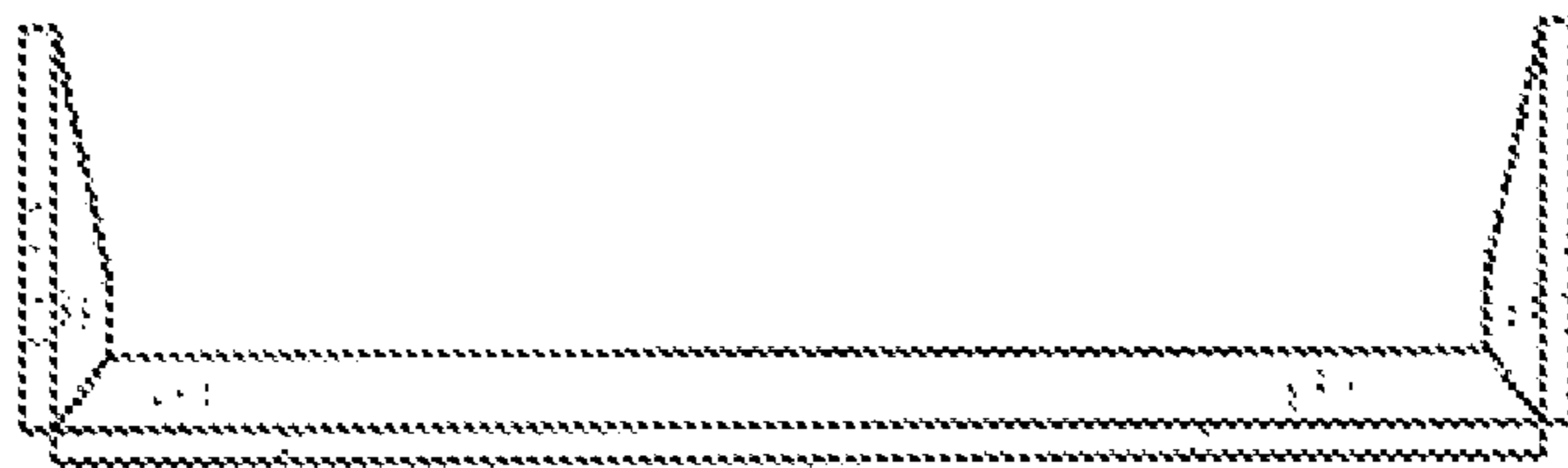


FIG. 7

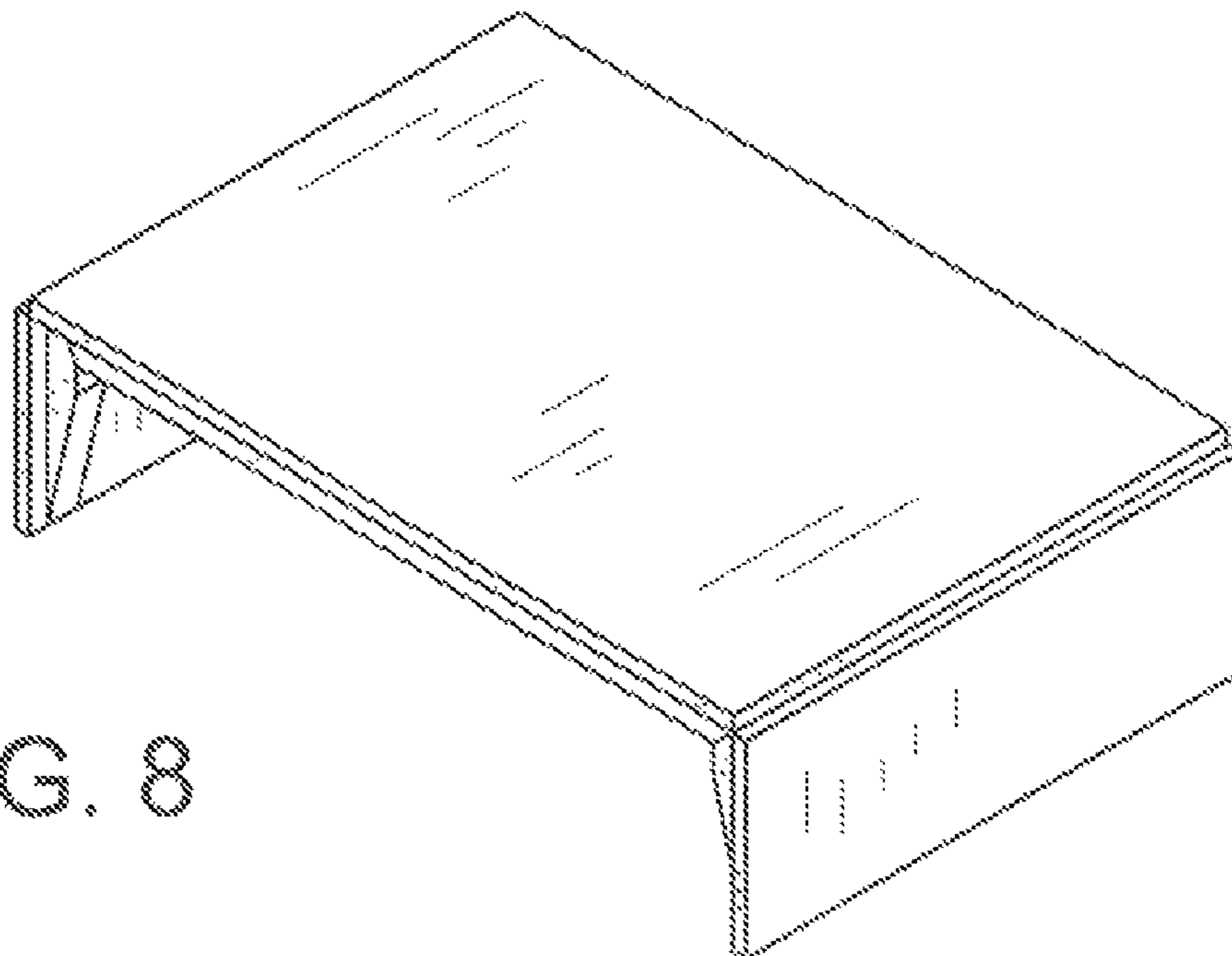


FIG. 8

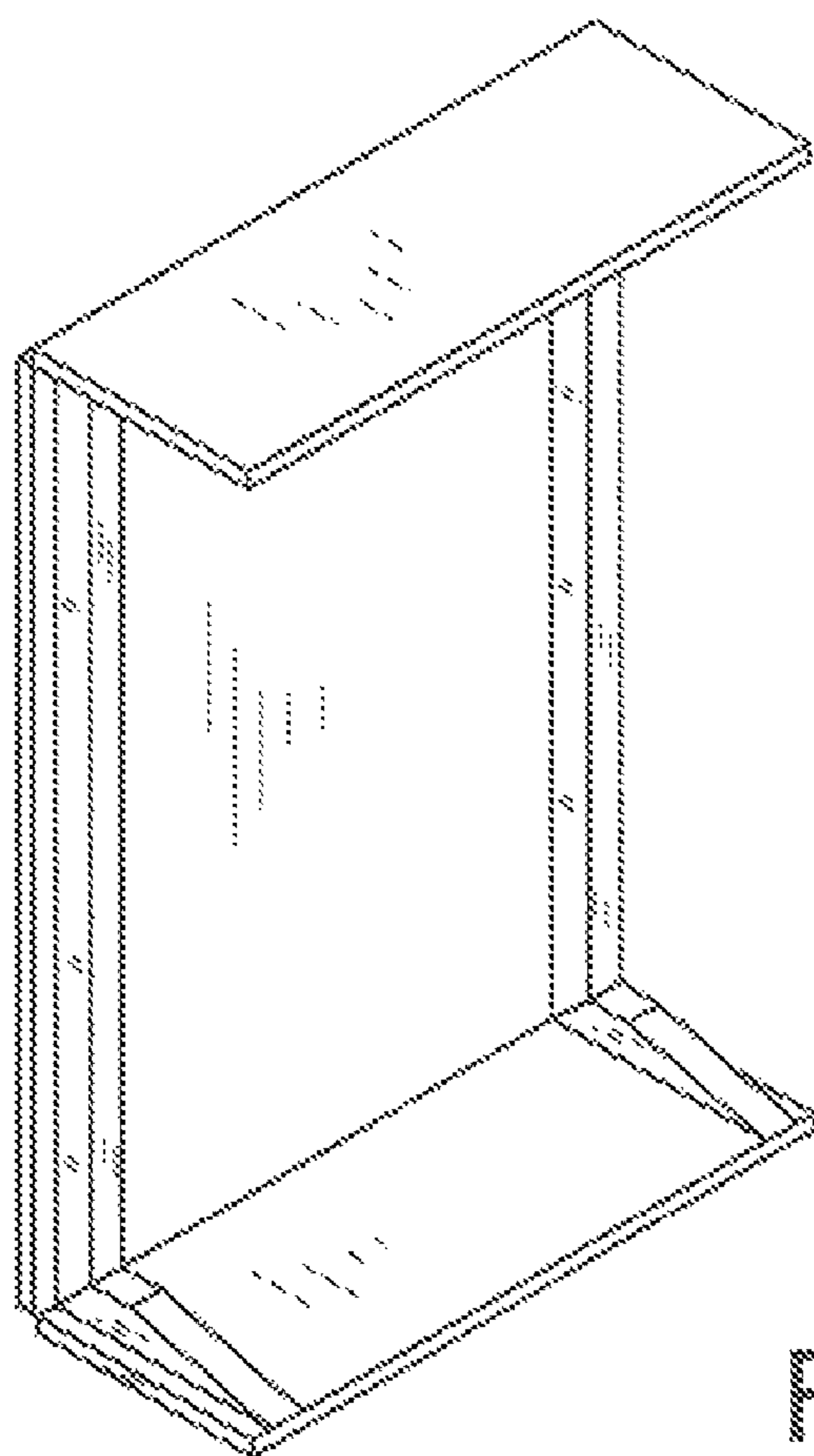


FIG. 9

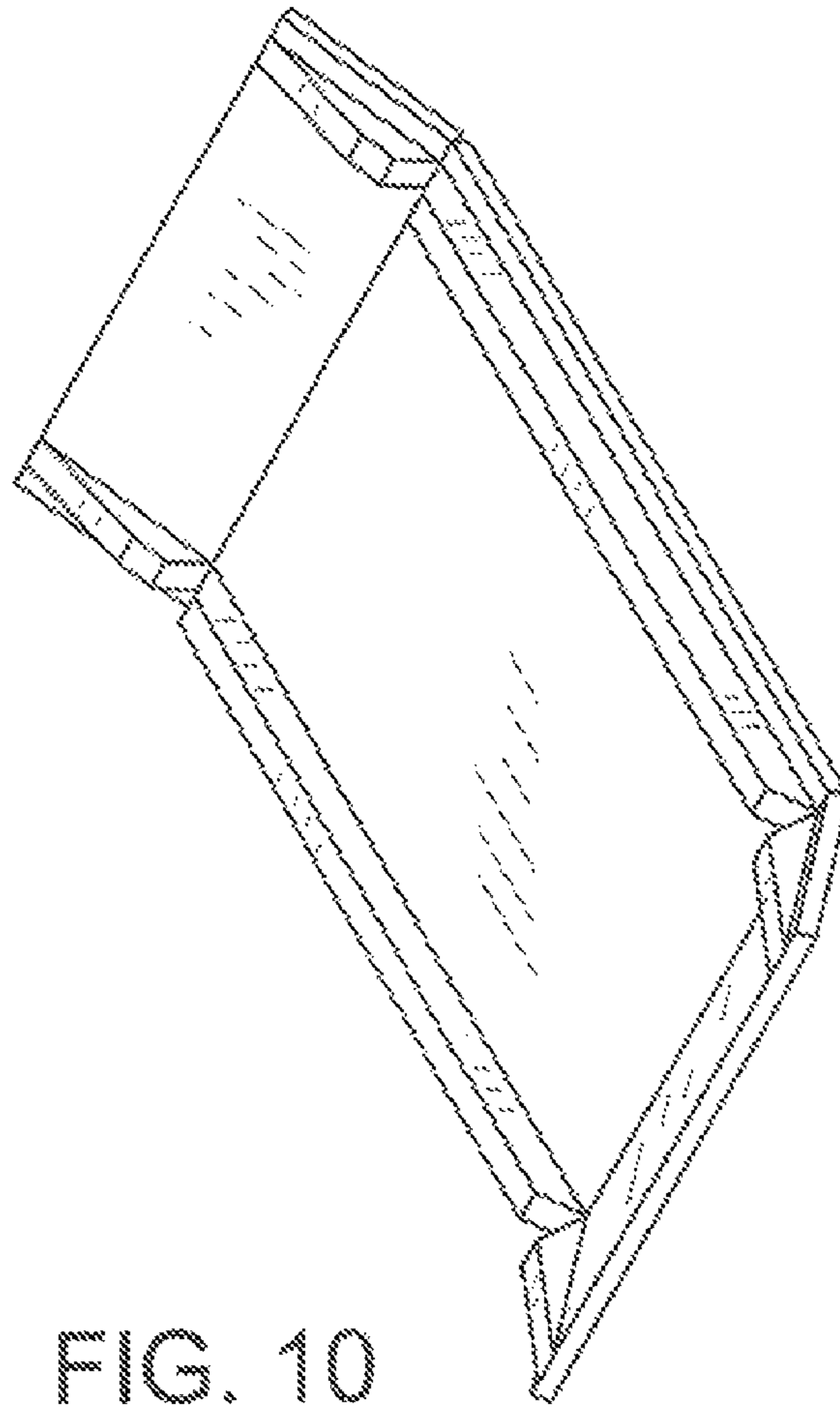


FIG. 10

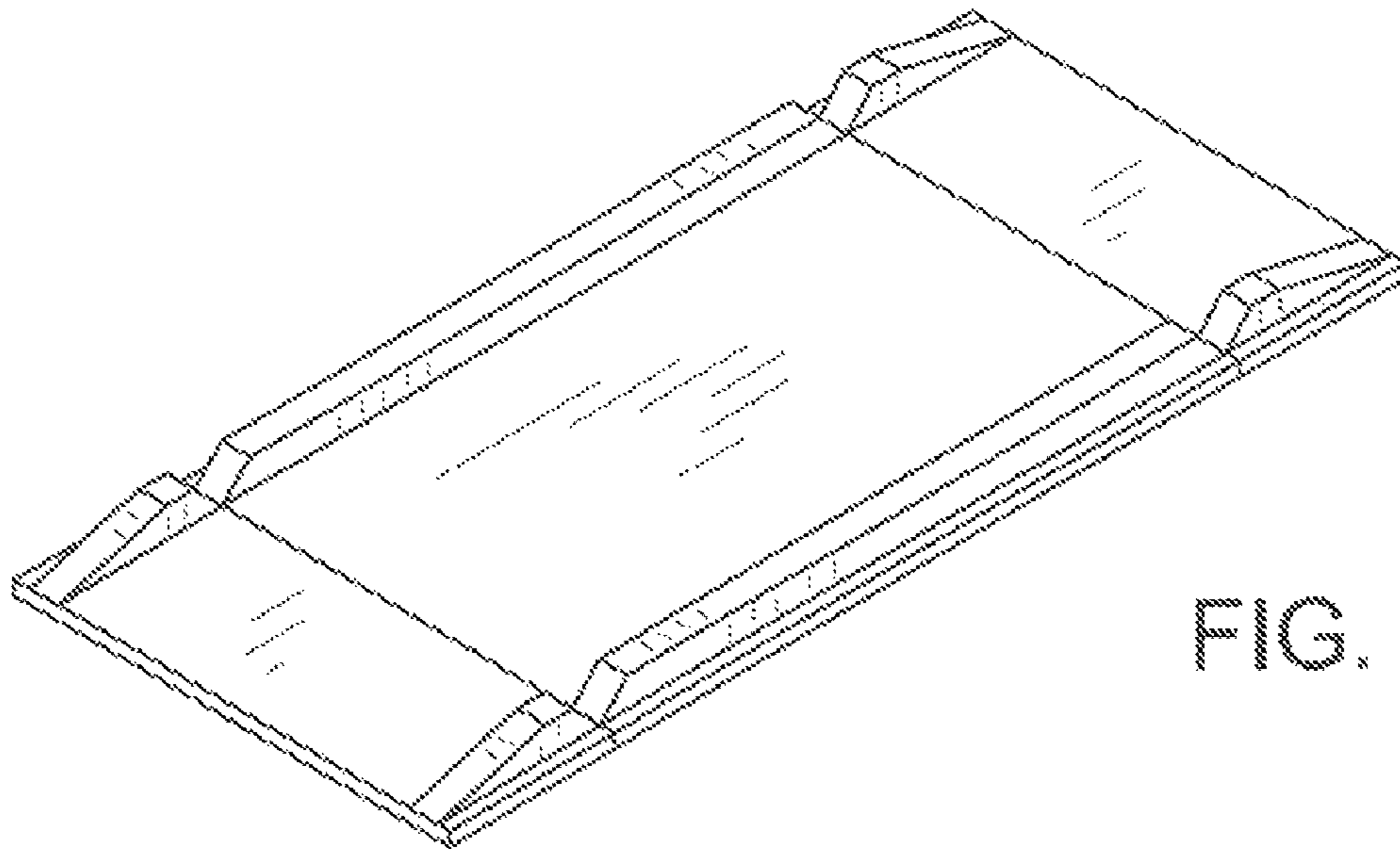


FIG. 11