



US00D639330S

(12) **United States Design Patent**
Kawaguchi et al.

(10) **Patent No.:** **US D639,330 S**
(45) **Date of Patent:** **** Jun. 7, 2011**

(54) **VIDEO PROJECTOR**

(75) Inventors: **Yuta Kawaguchi**, Funabashi (JP);
Atsushi Ishibashi, Tokorozawa (JP);
Yoshihiro Iwama, Kokubunji (JP);
Shinichi Urano, Fujisawa (JP)

(73) Assignee: **Hitachi Consumer Electronics Co., Ltd.**, Tokyo (JP)

(**) Term: **14 Years**

(21) Appl. No.: **29/375,489**

(22) Filed: **Sep. 23, 2010**

(30) **Foreign Application Priority Data**

Jun. 4, 2010 (JP) 2010-013833

(51) **LOC (9) Cl.** **16-02**

(52) **U.S. Cl.** **D16/230; D16/225**

(58) **Field of Classification Search** D16/205,
D16/208, 213, 221, 225, 230-231, 234; D21/514;
353/115, 119, 122

See application file for complete search history.

(56) **References Cited**

U.S. PATENT DOCUMENTS

D441,387 S *	5/2001	Saeki et al.	D16/230
6,231,191 B1 *	5/2001	Shiraishi et al.	353/119
D450,336 S *	11/2001	Kawasaki et al.	D16/231
D454,903 S *	3/2002	Kawamoto et al.	D16/231
D457,179 S *	5/2002	Saeki et al.	D16/230
D476,353 S *	6/2003	Morishita et al.	D16/231
D548,264 S *	8/2007	Sakamaki et al.	D16/230
D602,513 S *	10/2009	Kim et al.	D16/229

D627,386 S *	11/2010	Kawaguchi et al.	D16/229
D627,387 S *	11/2010	Kawaguchi et al.	D16/230
2009/0122274 A1 *	5/2009	Saito	353/119

* cited by examiner

Primary Examiner — Ian Simmons

Assistant Examiner — Wan Laymon

(74) *Attorney, Agent, or Firm* — Antonelli, Terry, Stout & Kraus, LLP.

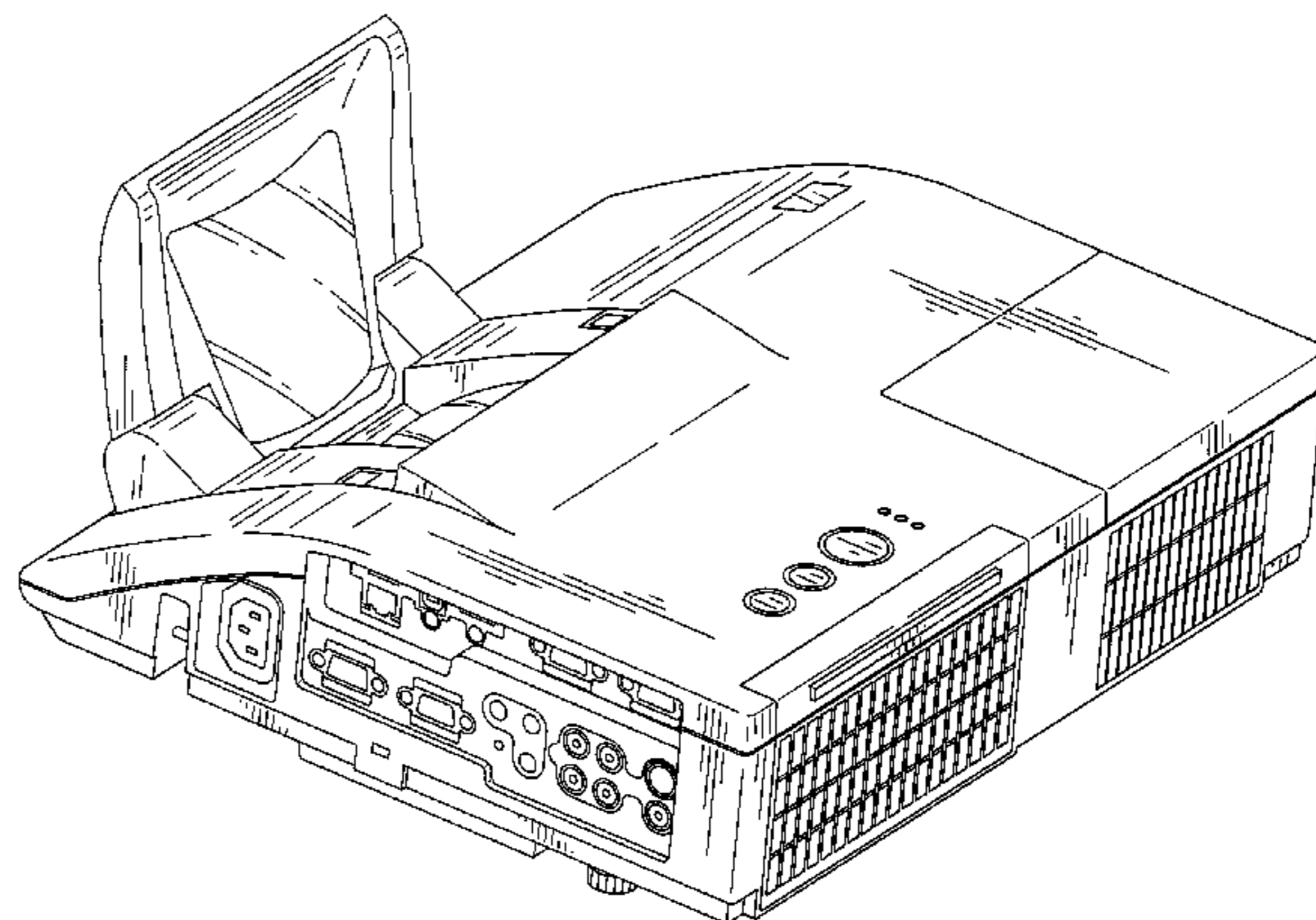
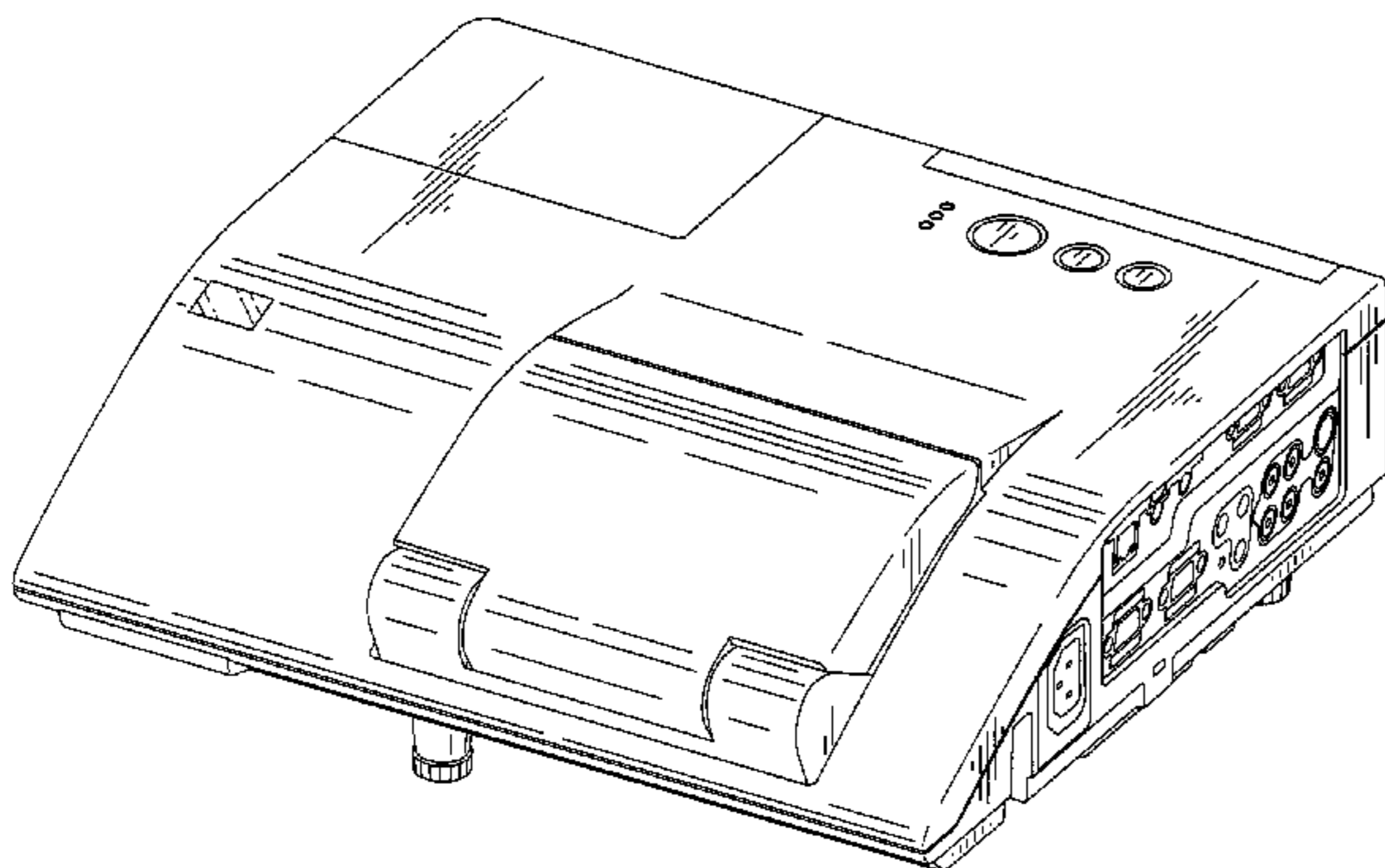
(57) **CLAIM**

We claim the ornamental design for a video projector, as shown and described.

DESCRIPTION

FIG. 1 is a front, top and right side perspective view of a video projector showing our new design;
 FIG. 2 is a front elevational view thereof;
 FIG. 3 is a rear elevational view thereof;
 FIG. 4 is a top plan view thereof;
 FIG. 5 is a bottom plan view thereof;
 FIG. 6 is a left side elevational view thereof; and
 FIG. 7 is a right side elevational view thereof;
 FIG. 8 is a rear, top and right side perspective view in an operating position thereof;
 FIG. 9 is a front elevational view in an operating position thereof;
 FIG. 10 is a rear elevational view in an operating position thereof;
 FIG. 11 is a top plan view in an operating position thereof; and,
 FIG. 12 is a left side elevational view in an operating position thereof.

1 Claim, 10 Drawing Sheets



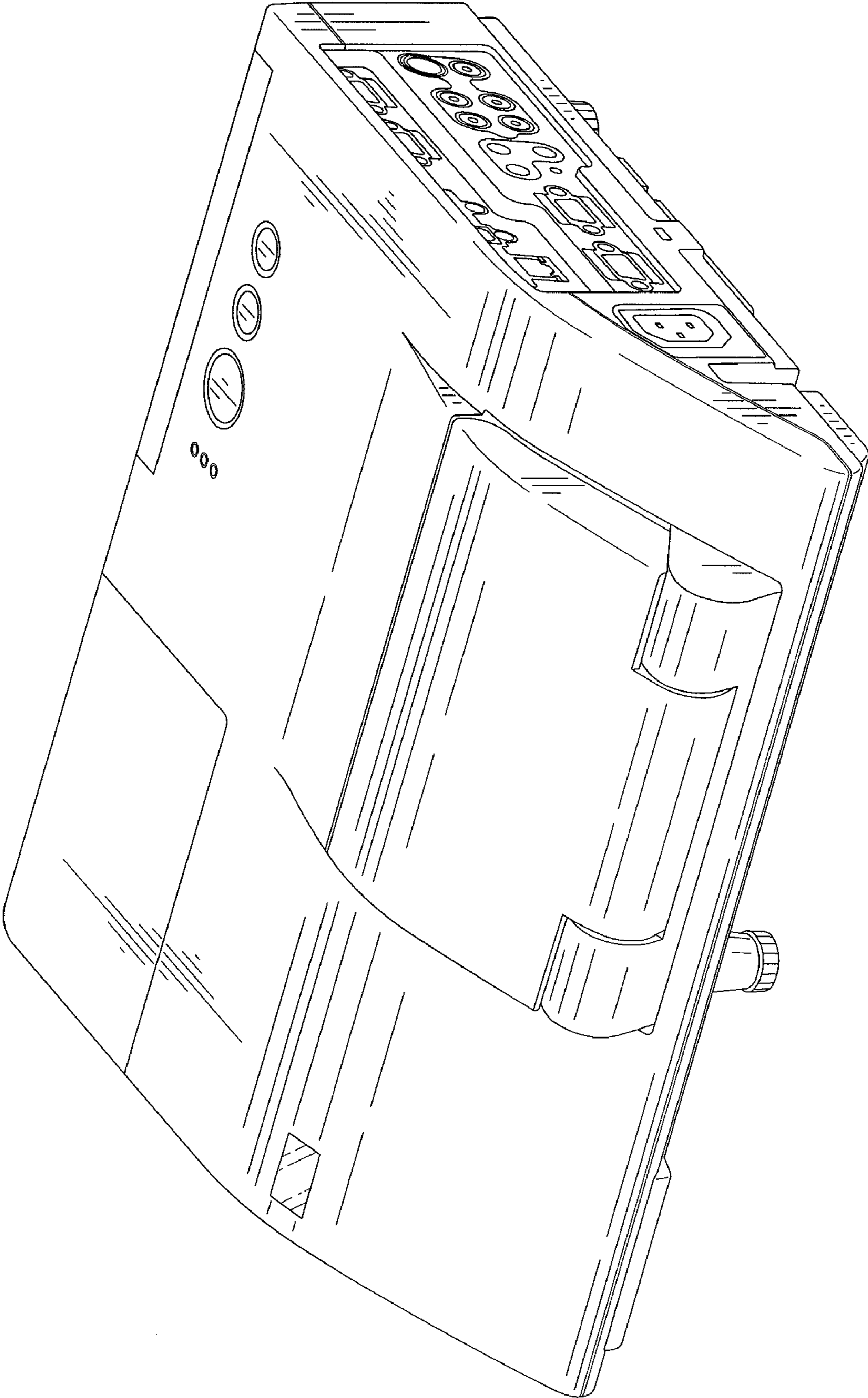


FIG. 1

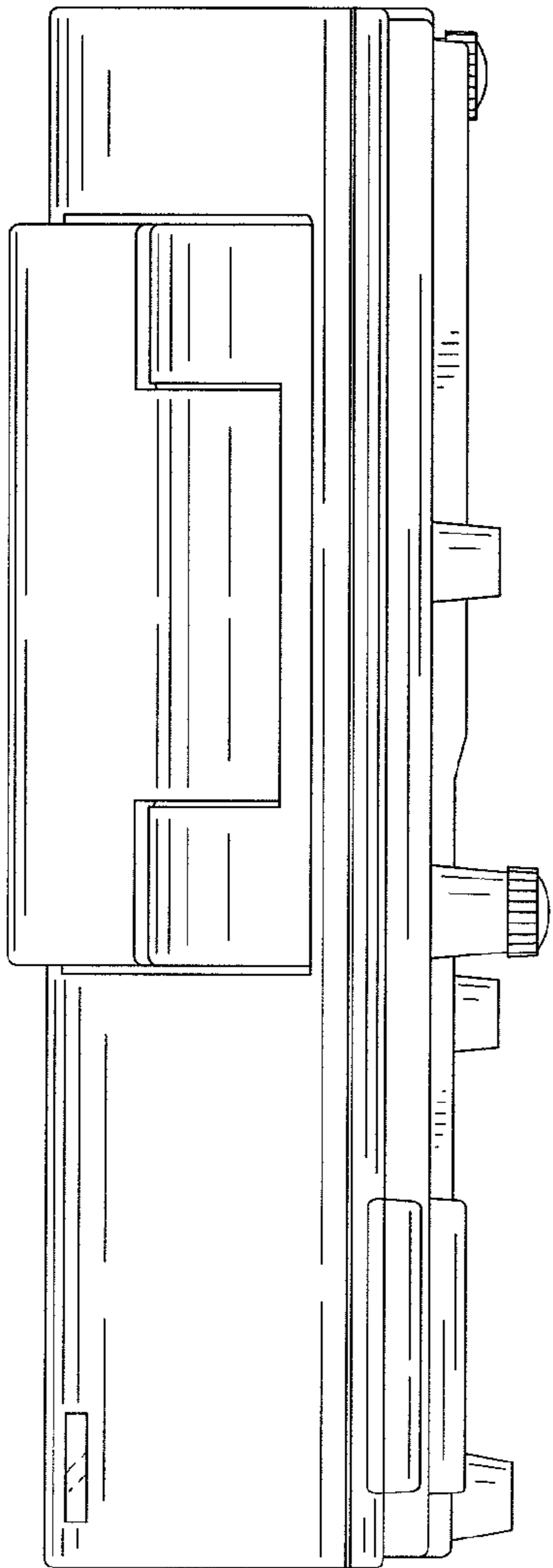


FIG. 2

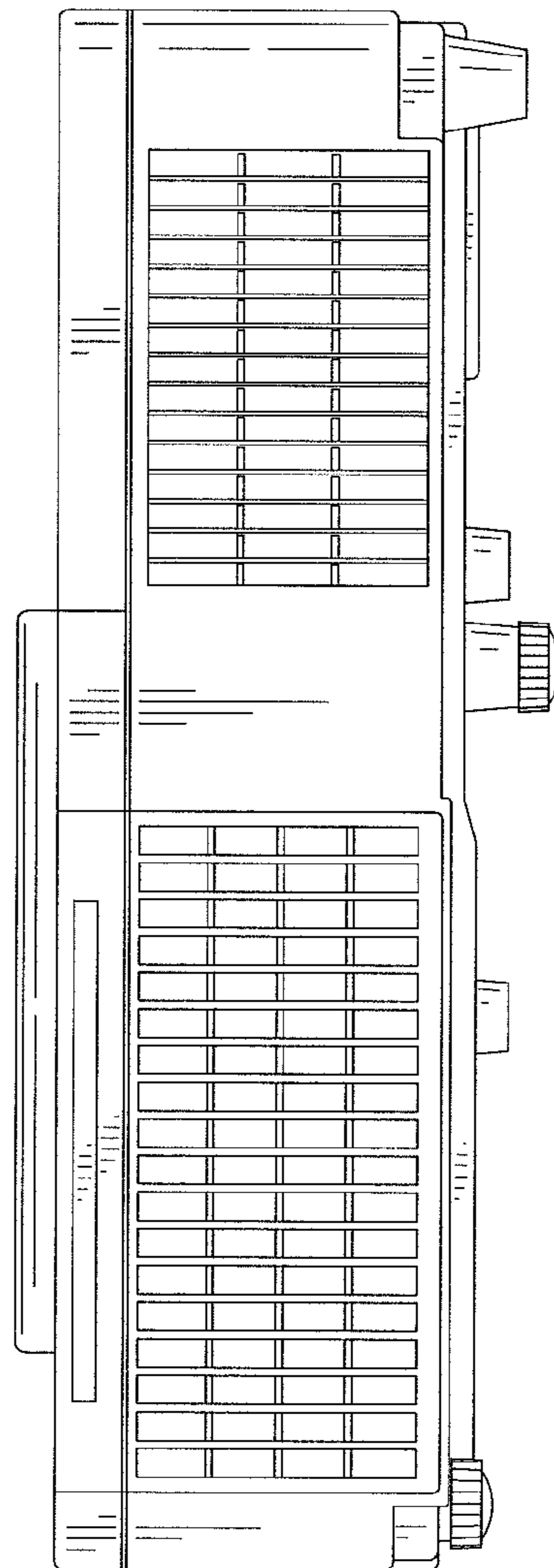


FIG. 3

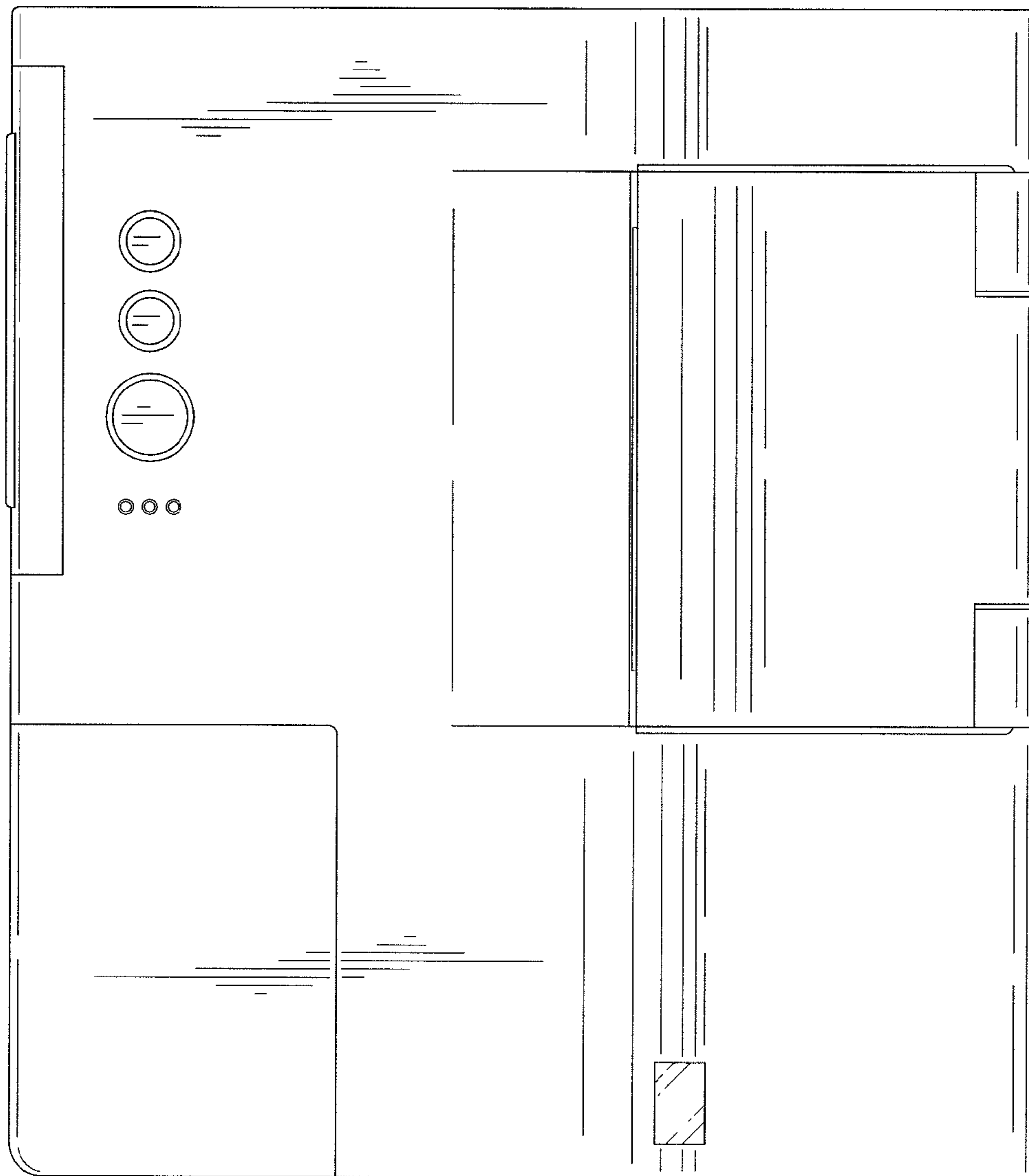


FIG. 4

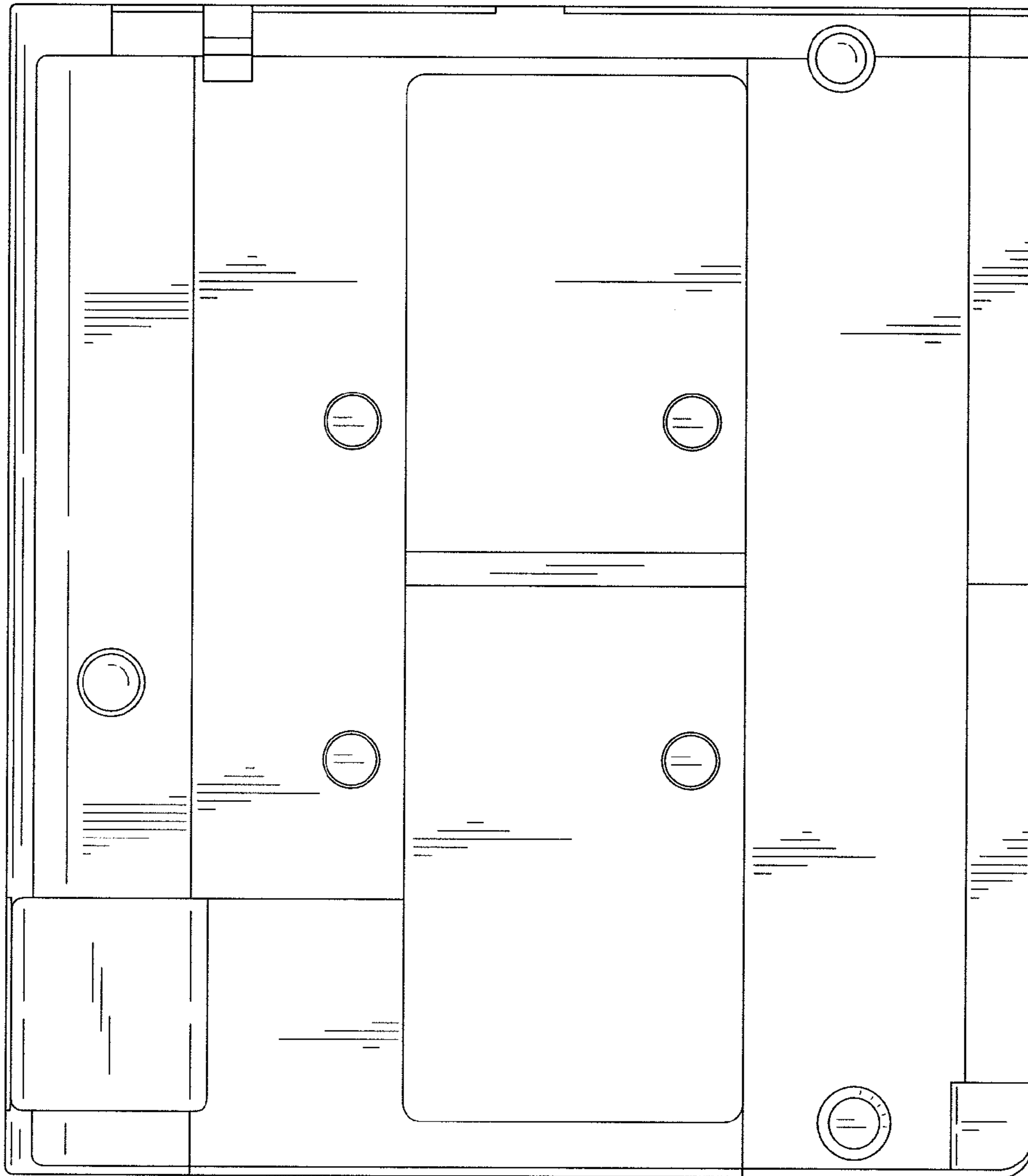


FIG. 5

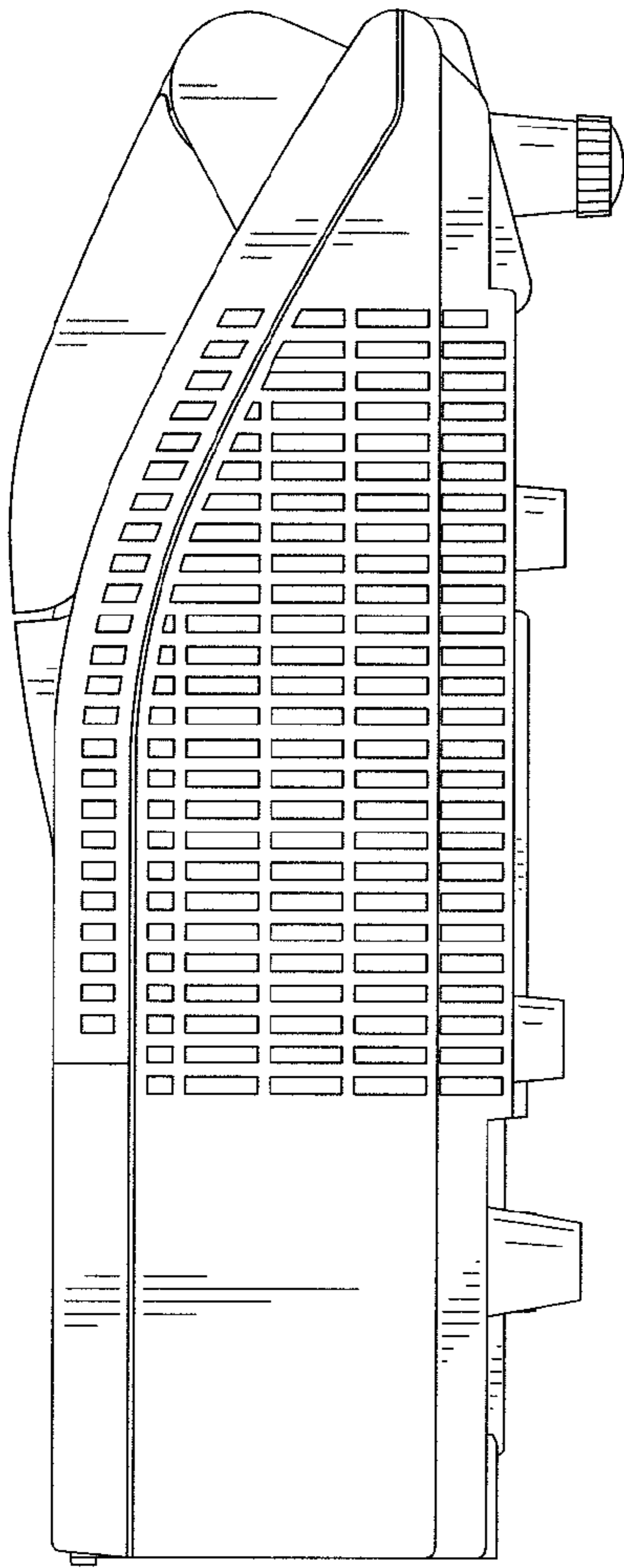


FIG. 6

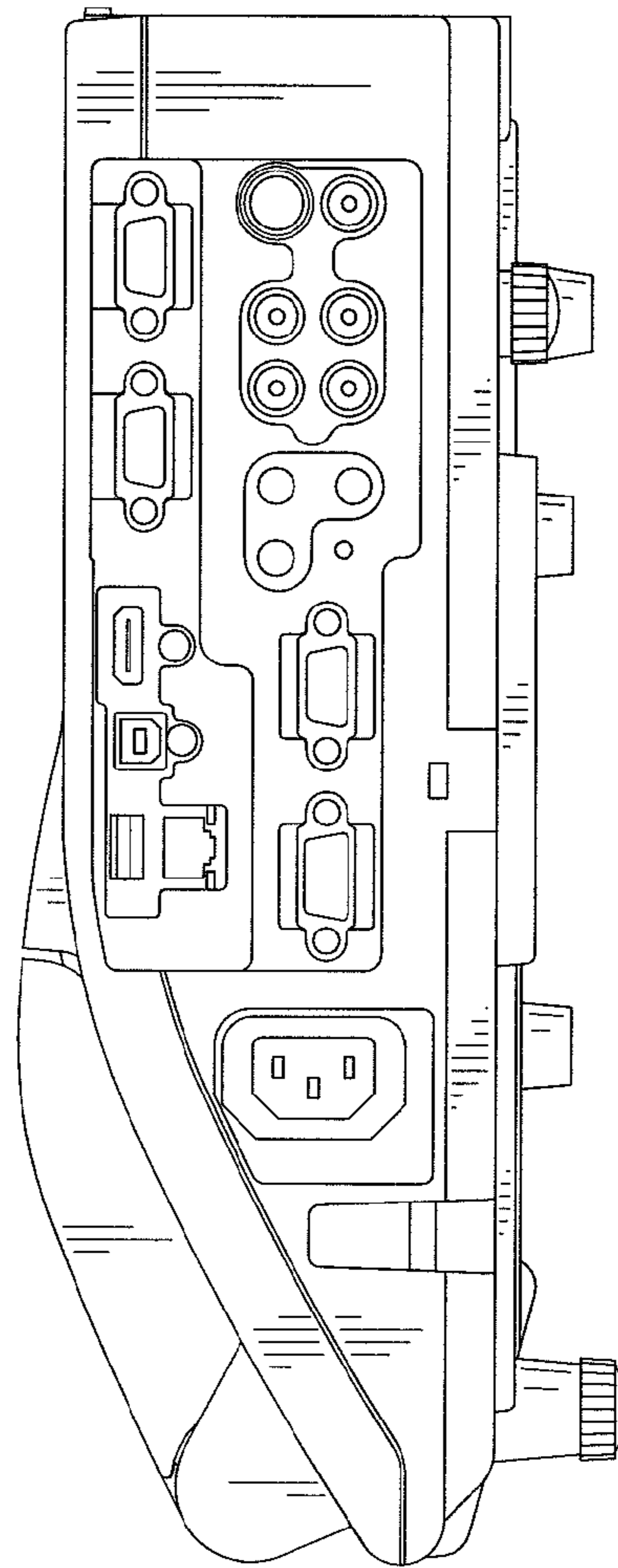


FIG. 7

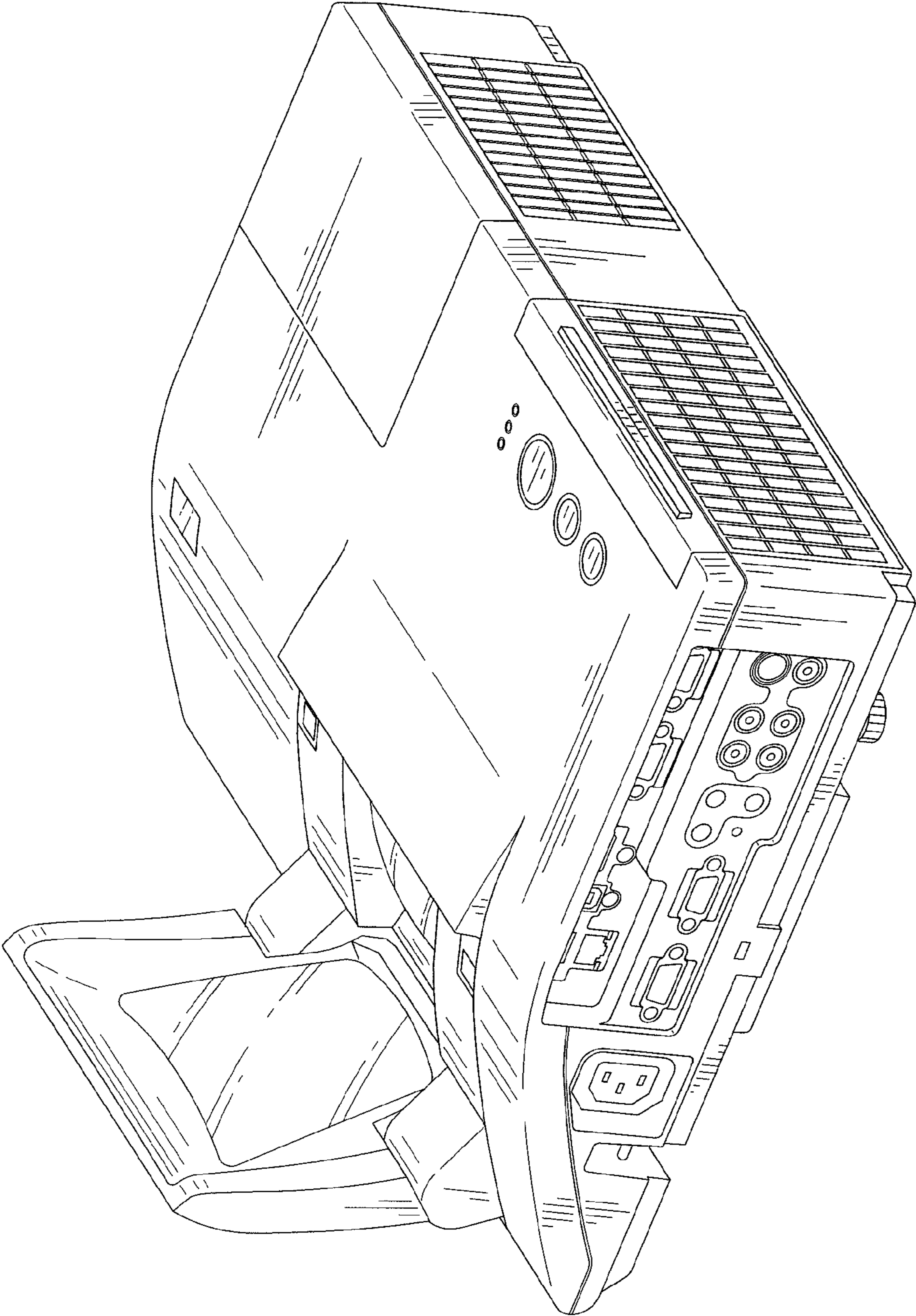


FIG. 8

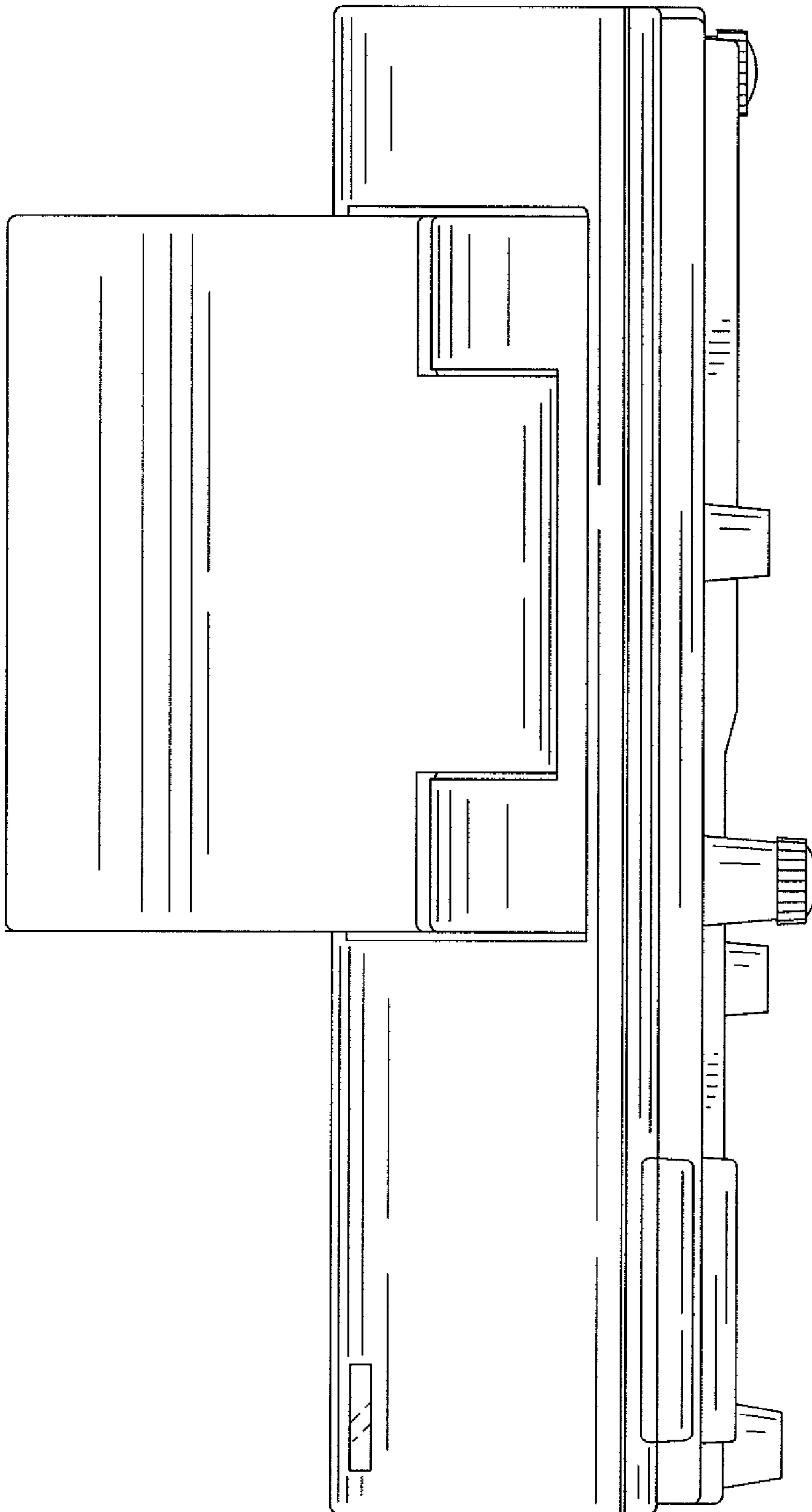


FIG. 9

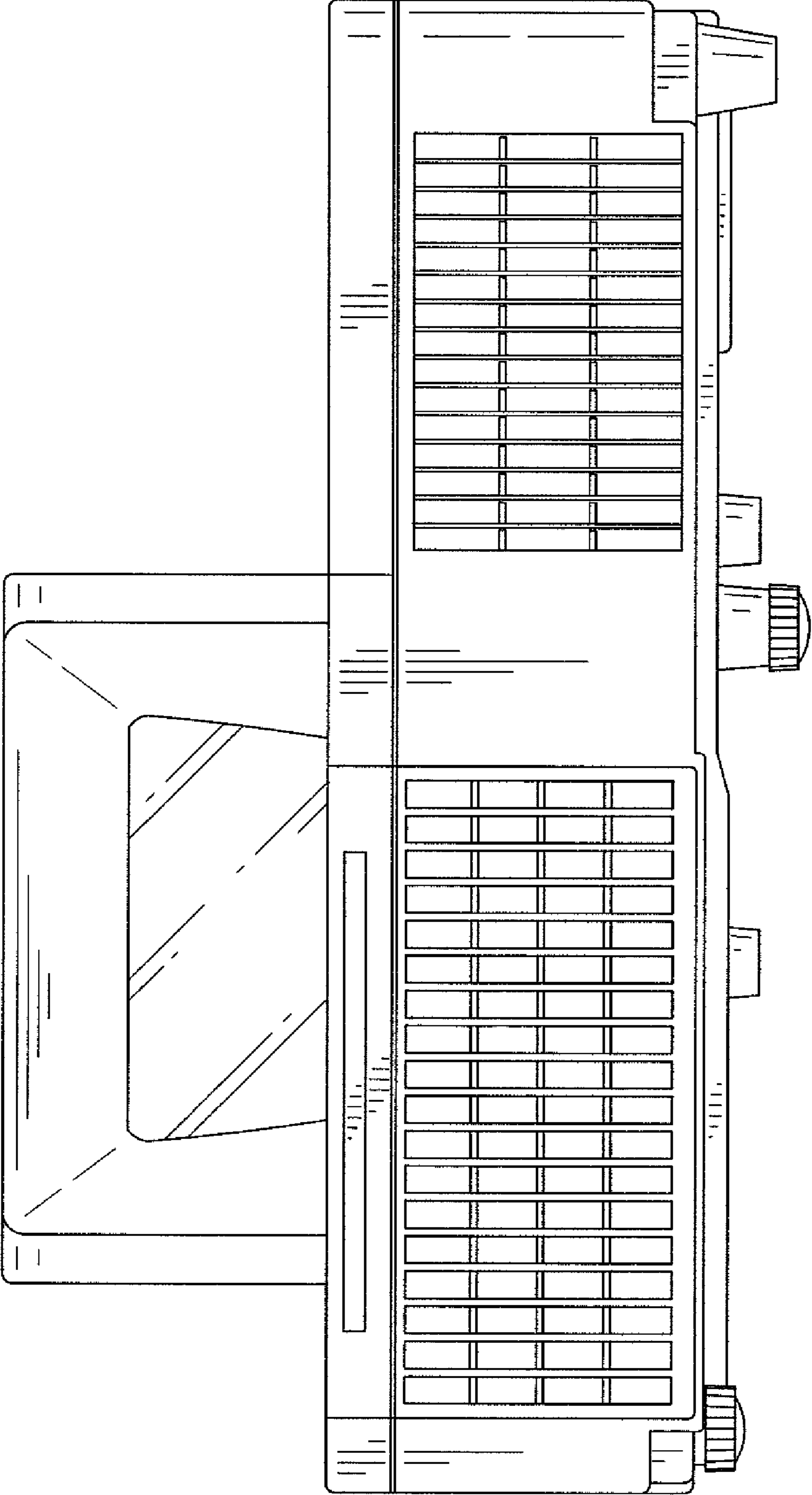


FIG. 10

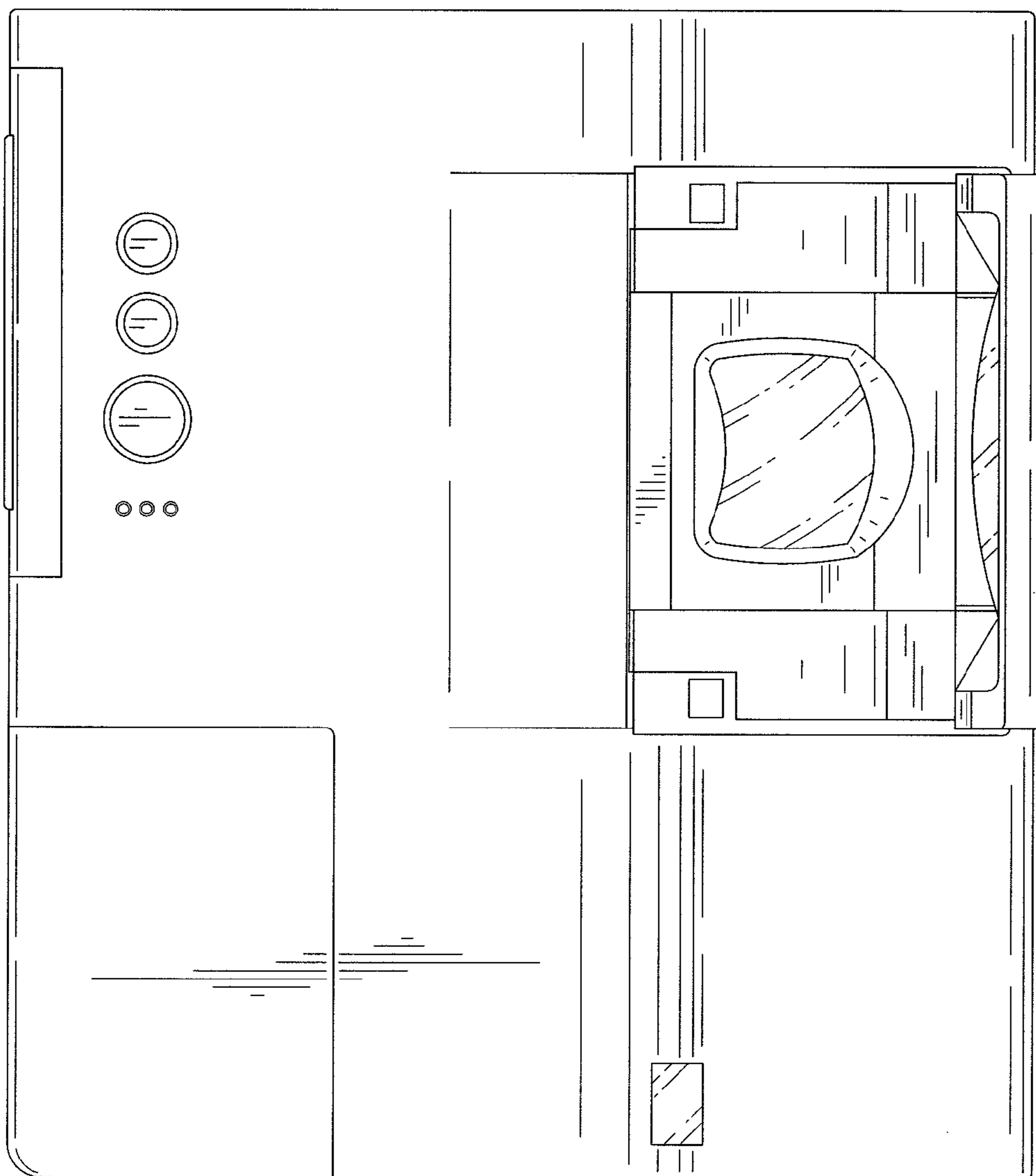


FIG. 11

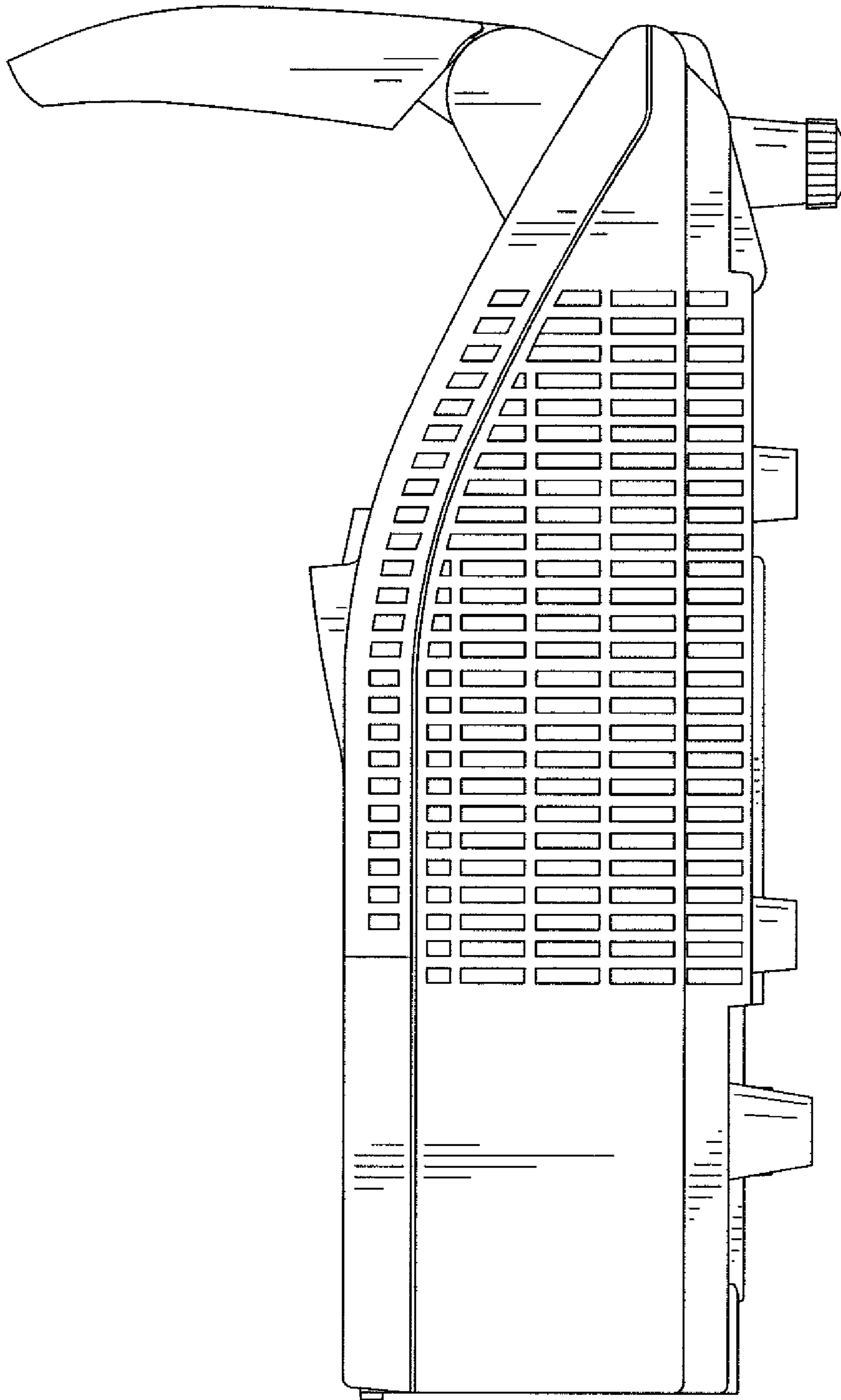


FIG. 12