



US00D639329S

(12) **United States Design Patent**
Kaplan et al.

(10) **Patent No.:** **US D639,329 S**
(45) **Date of Patent:** **** Jun. 7, 2011**

(54) **DIGITAL VIDEO CAMERA WITH BUILT-IN CONNECTOR AND DISPLAY SCREEN**

(75) Inventors: **Jonathan Kaplan**, San Francisco, CA (US); **John Luis Warpakowski Furlan**, Belmont, CA (US); **Ariel Braunstein**, San Francisco, CA (US); **Simon Fleming-Wood**, Oakland, CA (US); **Maarten Dinger**, San Francisco, CA (US); **Nasahn Adam Sheppard**, Mill Valley, CA (US); **Peter Michaelian**, Campbell, NY (US)

(73) Assignee: **Cisco Technology, Inc.**, San Jose, CA (US)

(**) Term: **14 Years**

(21) Appl. No.: **29/363,769**

(22) Filed: **Jun. 14, 2010**

Related U.S. Application Data

(63) Continuation of application No. 29/335,303, filed on Apr. 13, 2009, now Pat. No. Des. 617,821.

(51) **LOC (9) Cl.** **16-05**

(52) **U.S. Cl.** **D16/219**

(58) **Field of Classification Search** D13/133;
D14/356, 435.1; D16/200–204, 208, 218,
D16/219; 348/373–376; 396/535, 540, 541
See application file for complete search history.

(56) **References Cited**

U.S. PATENT DOCUMENTS

6,733,328	B2 *	5/2004	Lin et al.	439/501
7,025,275	B2 *	4/2006	Huang et al.	235/486
D591,321	S *	4/2009	Sheppard et al.	D16/202
D607,914	S *	1/2010	Kaplan et al.	D16/219
D608,813	S *	1/2010	Hong et al.	D16/218
D610,600	S *	2/2010	Sheppard et al.	D16/219
2009/0109329	A1 *	4/2009	Cummings et al.	348/374

* cited by examiner

Primary Examiner — Adir Aronovich

(74) *Attorney, Agent, or Firm* — Patterson & Sheridan, LLP

(57) **CLAIM**

The ornamental design for a digital video camera with a built-in connector and display screen, as shown and described.

DESCRIPTION

FIG. 1 is a front perspective view of a digital video camera with a built-in connector and display screen with the connector extended.

FIG. 2 is a rear perspective view thereof;

FIG. 3 is a left side elevational view thereof;

FIG. 4 is a top plan view thereof;

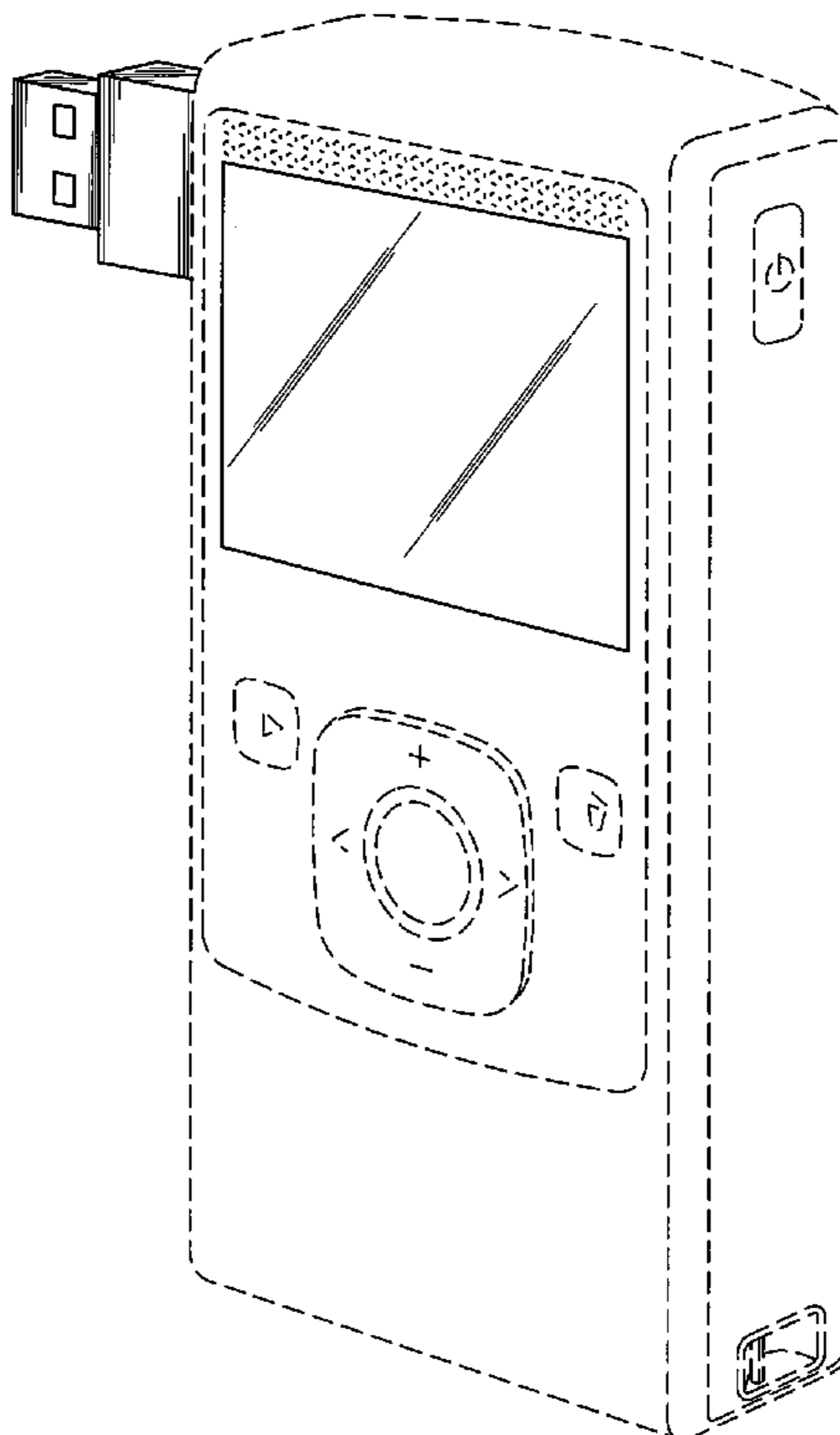
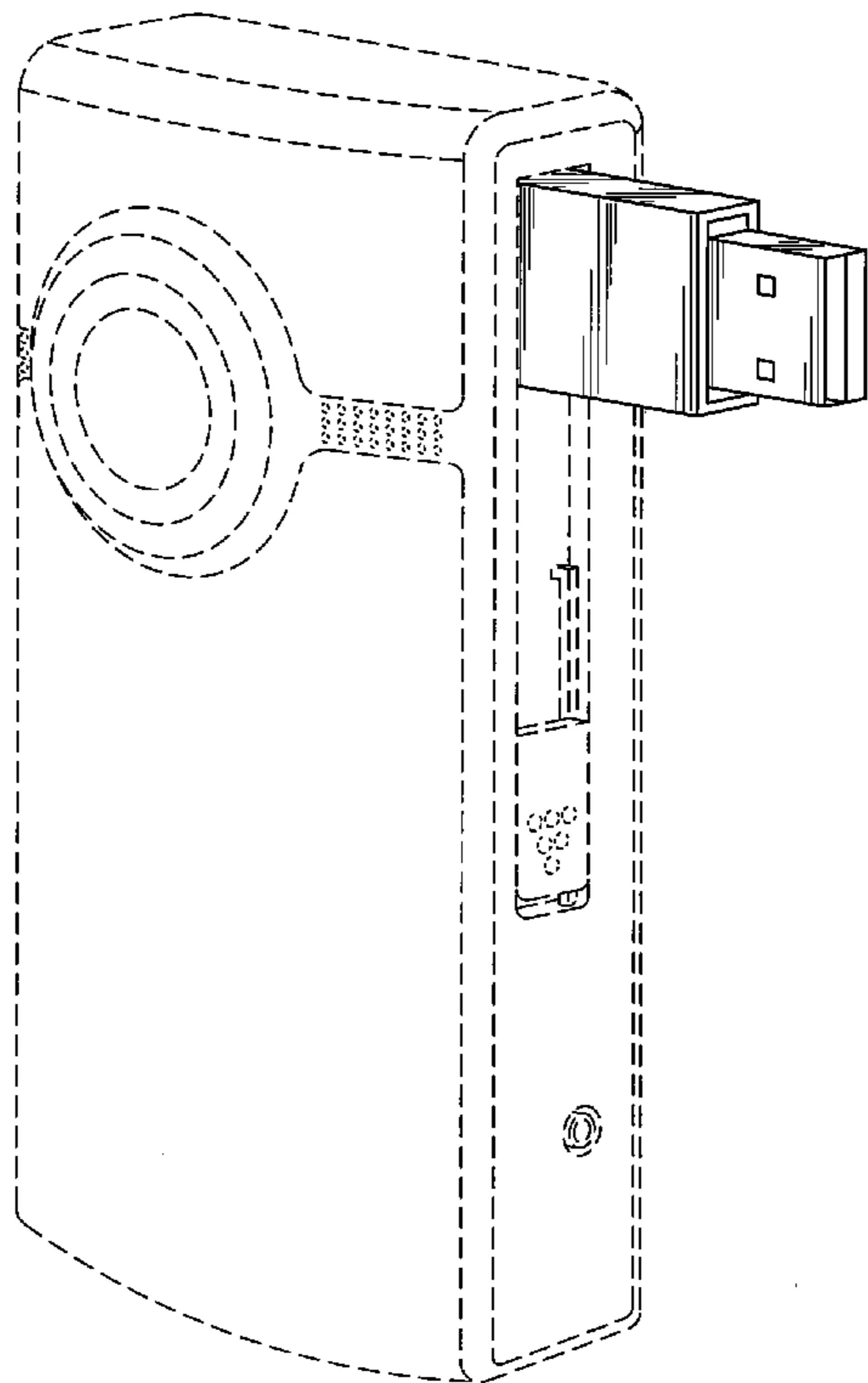
FIG. 5 is a bottom plan view thereof;

FIG. 6 is a front elevational view thereof; and,

FIG. 7 is a back elevational view thereof.

The portions of the camera shown in broken lines are to illustrate environment only and form no part of the claimed design.

1 Claim, 6 Drawing Sheets



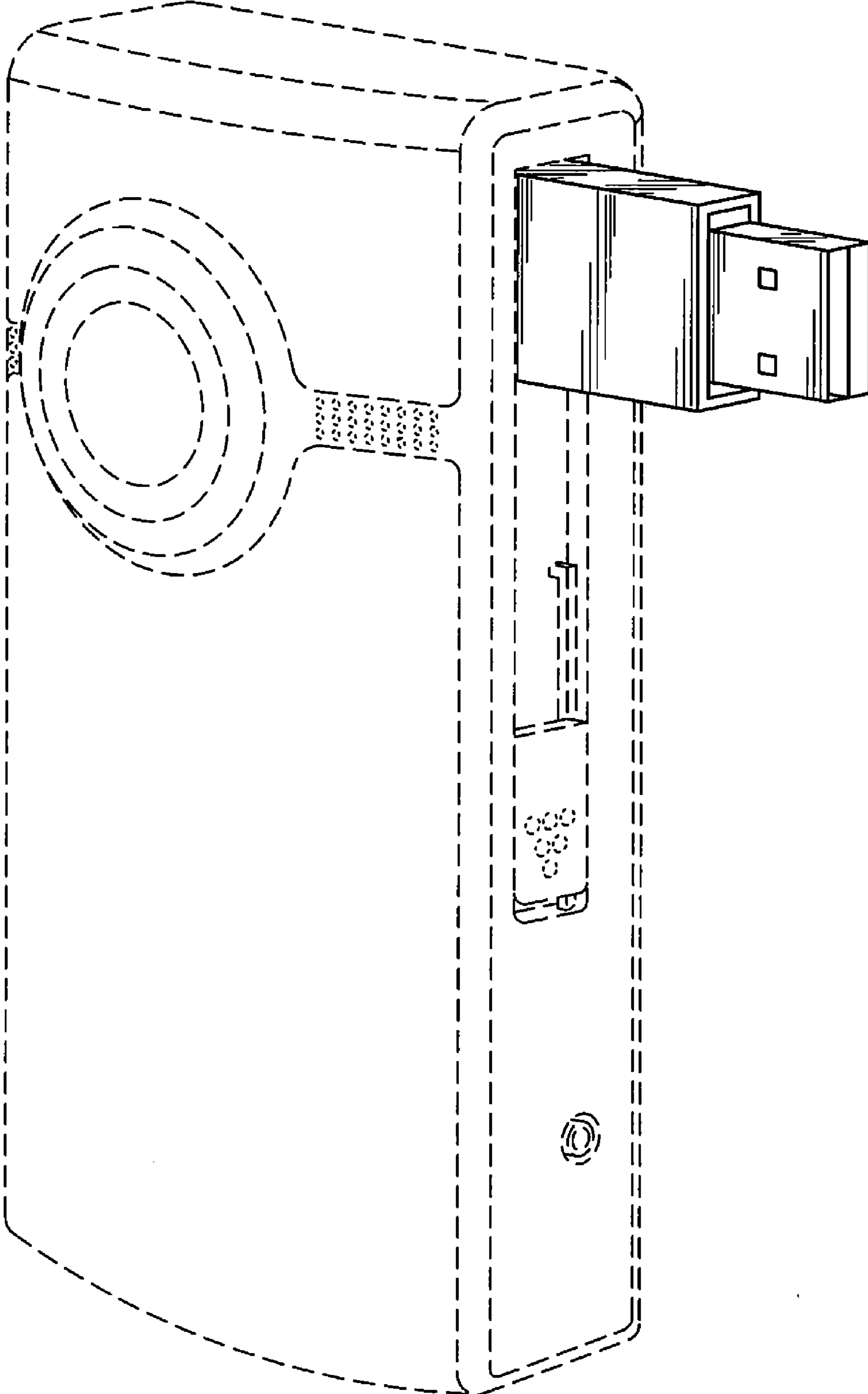


FIG. 1

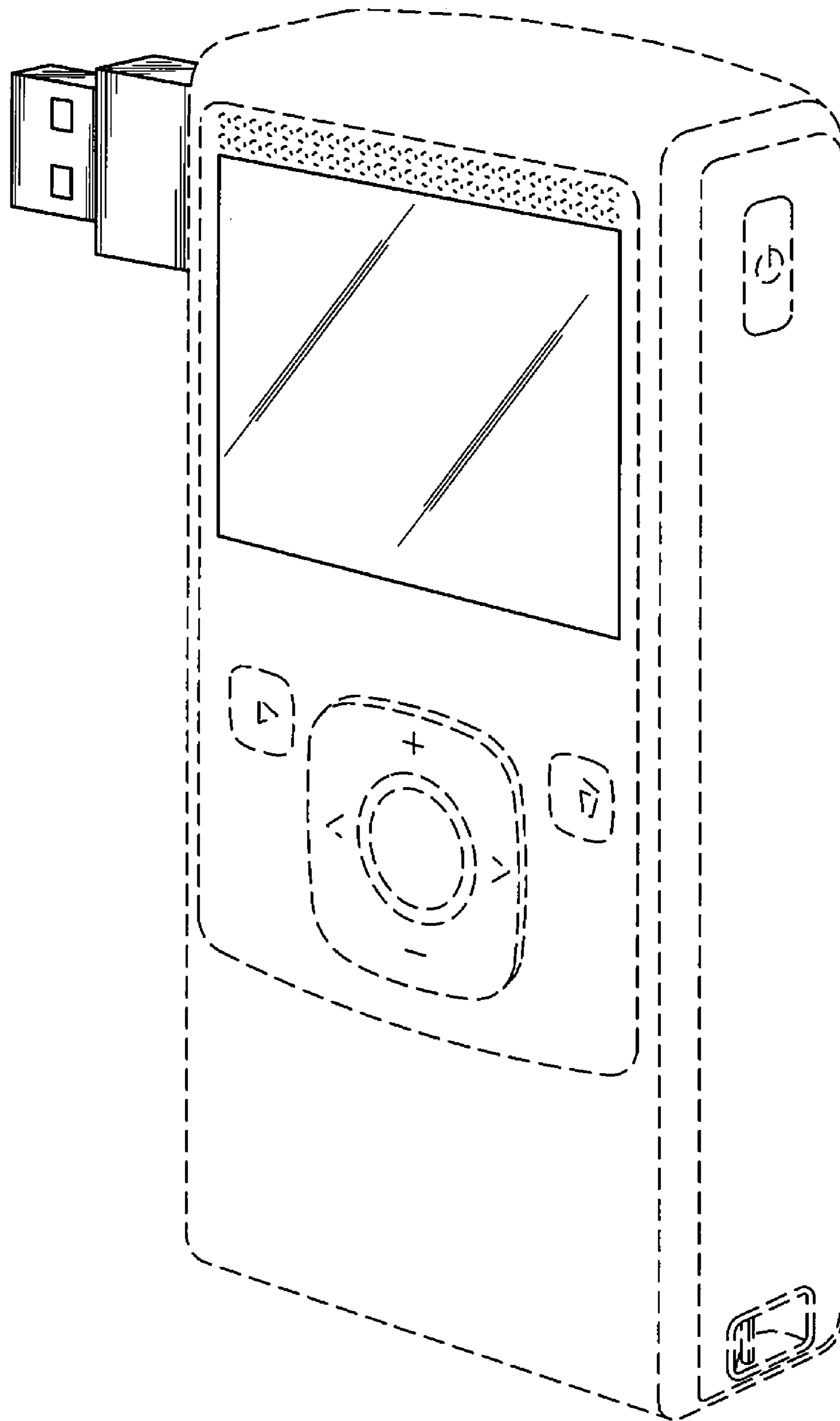


FIG. 2

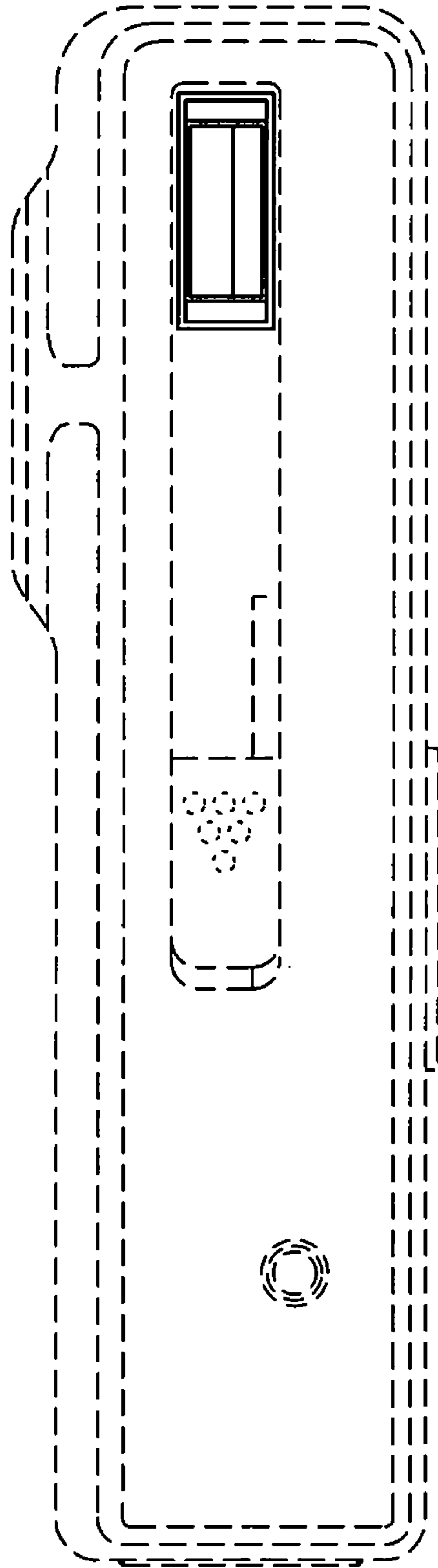


FIG. 3

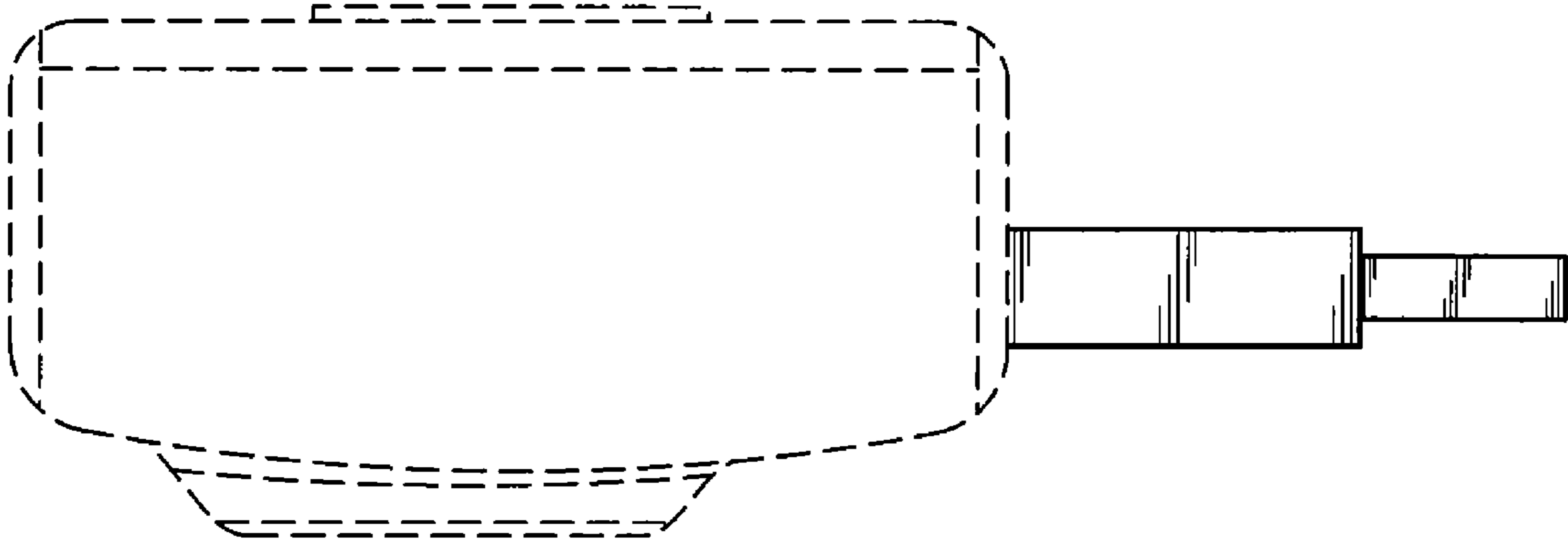


FIG.4

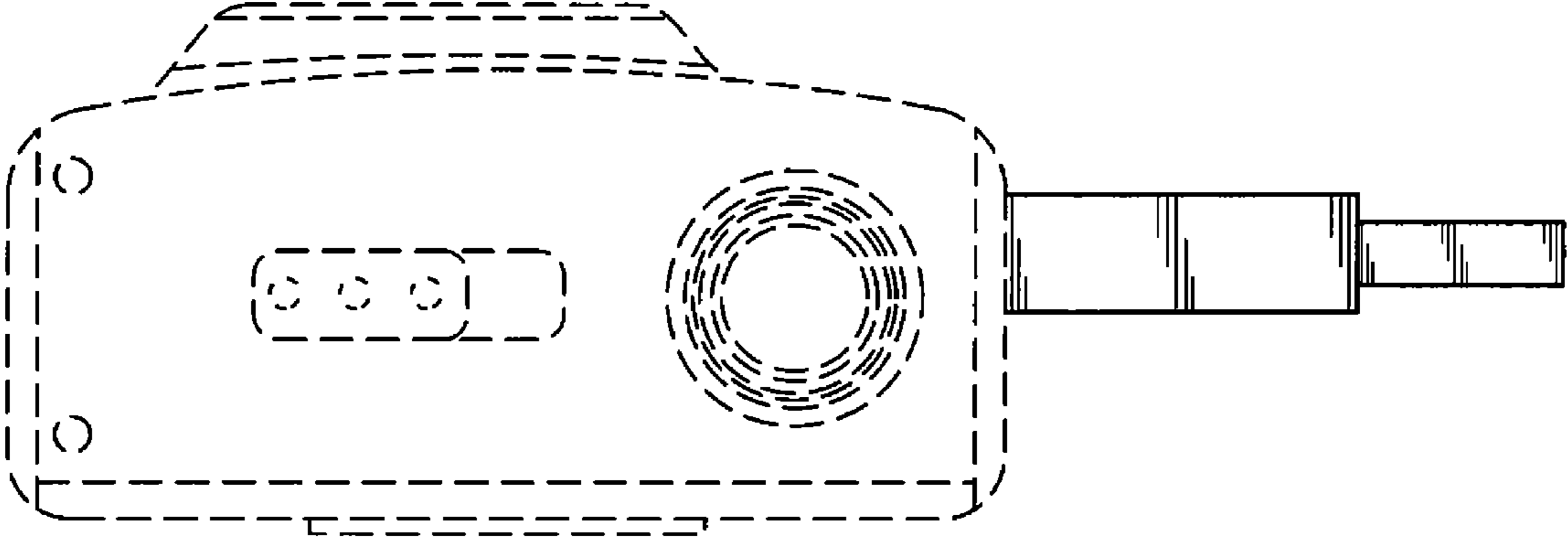


FIG.5

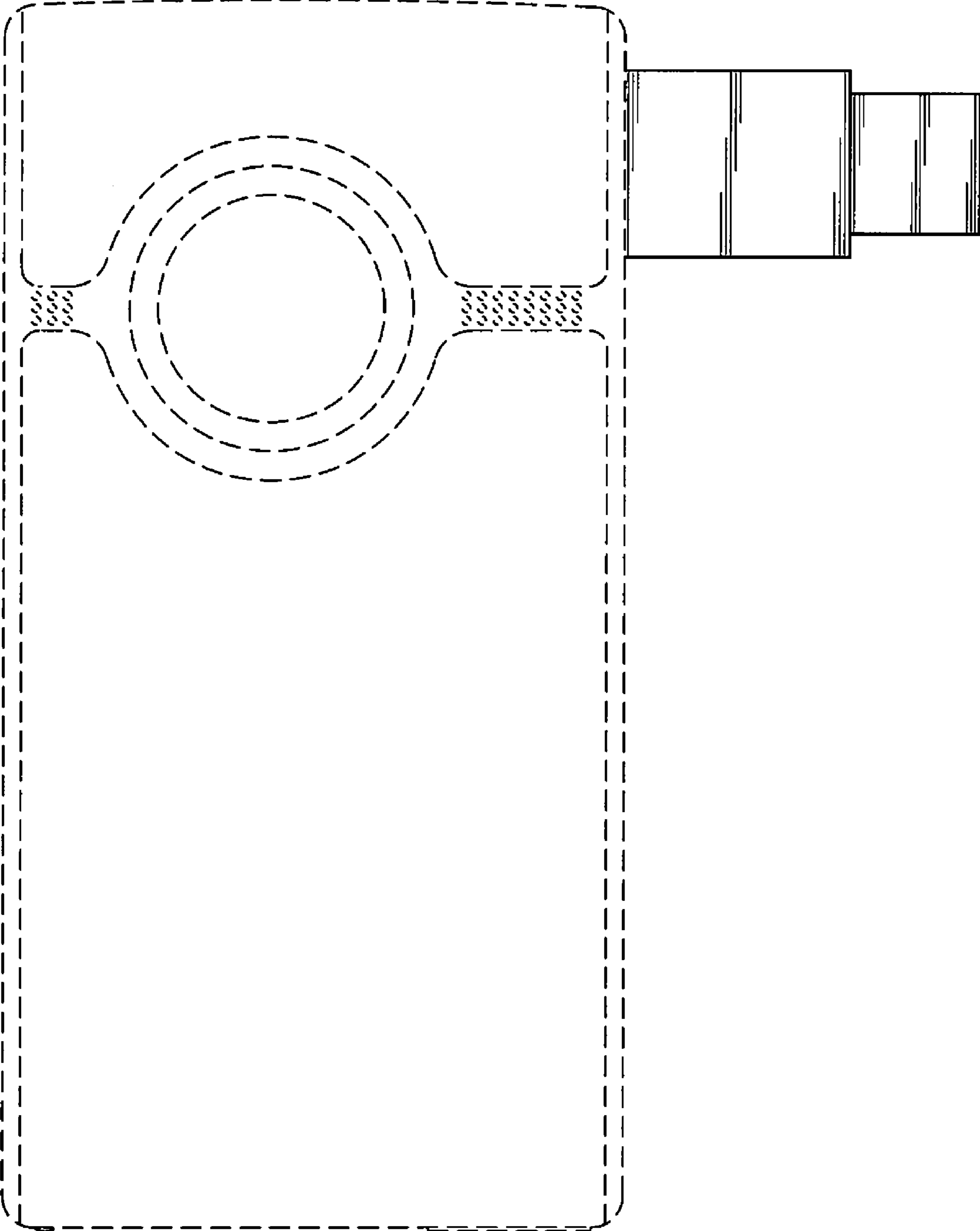


FIG.6

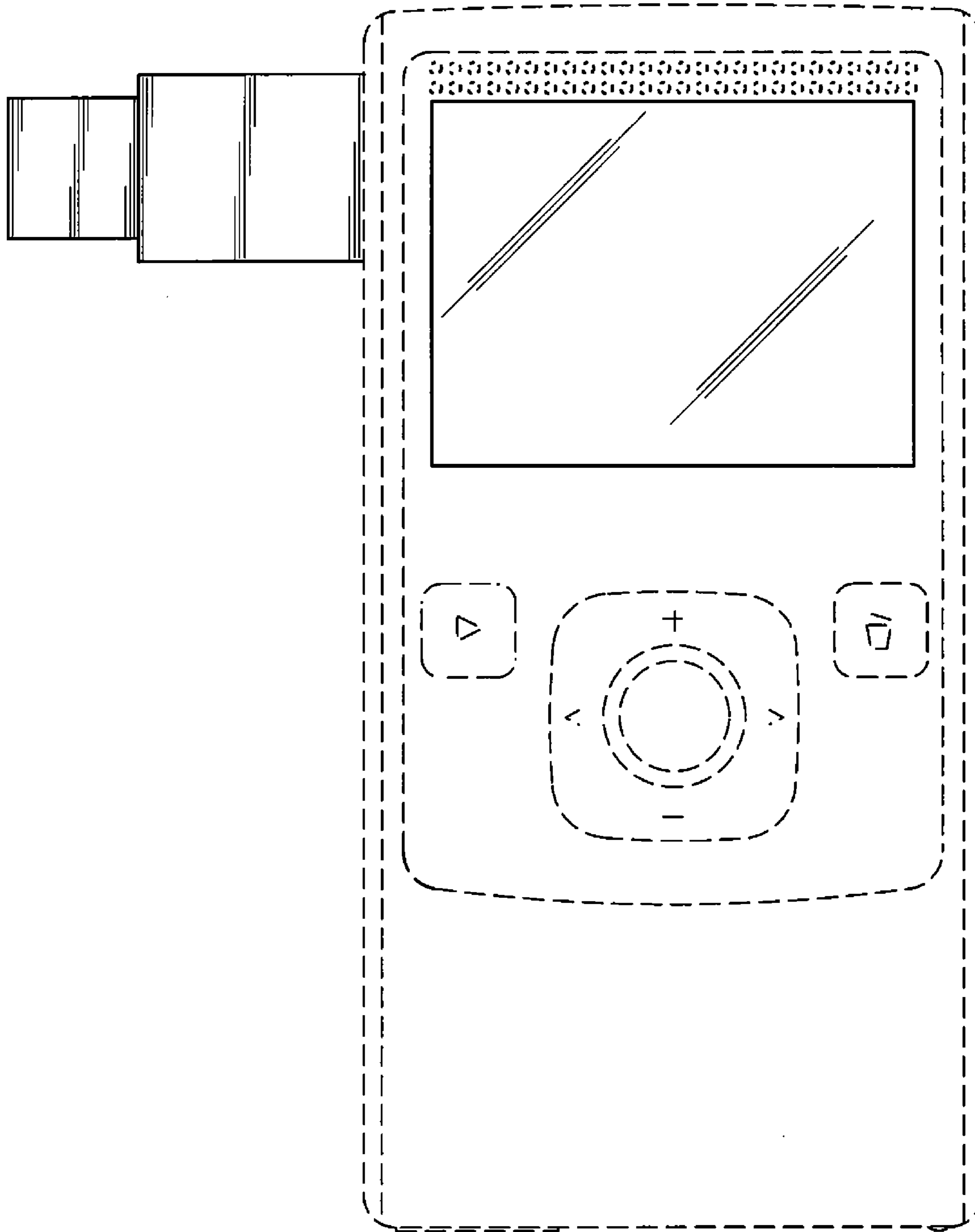


FIG. 7