



US00D639327S

(12) **United States Design Patent**  
**Jang**

(10) **Patent No.:** **US D639,327 S**  
(45) **Date of Patent:** **\*\* Jun. 7, 2011**

(54) **CAMCORDER**  
(75) Inventor: **Young-Sang Jang**, Kyunggi-do (KR)  
(73) Assignee: **Samsung Electronics Co., Ltd.**,  
Kyunggi-do (KR)  
(\*\*) Term: **14 Years**  
(21) Appl. No.: **29/370,580**  
(22) Filed: **Aug. 6, 2010**  
(51) **LOC (9) Cl.** ..... **16-01**  
(52) **U.S. Cl.** ..... **D16/202; D16/203**  
(58) **Field of Classification Search** ..... D16/200–205,  
D16/208, 218; 348/81, 373–376; 358/906;  
396/427, 535–541  
See application file for complete search history.

D552,648 S 10/2007 Chung  
D554,676 S 11/2007 Kim  
D554,678 S 11/2007 Kim  
D556,801 S 12/2007 Kim  
D558,247 S 12/2007 Kim  
D559,290 S 1/2008 Chung  
D560,241 S 1/2008 Chung  
D560,242 S 1/2008 Chung  
D560,243 S 1/2008 Kim  
D580,469 S 11/2008 Chung et al.  
D580,470 S 11/2008 Chung et al.  
D584,325 S 1/2009 Chung et al.  
D584,753 S 1/2009 Chung et al.  
D584,754 S 1/2009 Chung et al.  
D591,321 S \* 4/2009 Sheppard et al. .... D16/202  
D600,731 S 9/2009 Lee et al.  
D607,479 S \* 1/2010 Yu ..... D16/202  
D613,323 S 4/2010 Jang et al.  
D614,221 S 4/2010 Park  
D617,821 S \* 6/2010 Kaplan et al. .... D16/202  
D618,265 S \* 6/2010 Wozniak ..... D16/202  
D619,155 S 7/2010 Kim et al.  
D631,077 S \* 1/2011 Kawase ..... D16/202  
D631,495 S \* 1/2011 Lee et al. .... D16/202

(56) **References Cited**

U.S. PATENT DOCUMENTS

D356,806 S 3/1995 Kim  
D365,354 S 12/1995 Sung  
D366,886 S 2/1996 Choi  
D368,729 S 4/1996 Choi  
D372,925 S 8/1996 Choi  
D378,296 S 3/1997 Choi  
D383,767 S 9/1997 Sung et al.  
D386,506 S 11/1997 Choi  
D390,243 S 2/1998 Choi  
D472,258 S \* 3/2003 Yin et al. .... D16/202  
D484,901 S 1/2004 Lim  
6,683,653 B1 \* 1/2004 Miyake et al. .... 348/373  
D520,044 S 5/2006 Chung et al.  
D520,545 S 5/2006 Chung et al.  
D520,546 S 5/2006 Kim  
D521,041 S 5/2006 Chung et al.  
D526,674 S 8/2006 Byun et al.  
D527,403 S \* 8/2006 Byun et al. .... D16/202  
D528,142 S 9/2006 Byun et al.  
D528,576 S 9/2006 Chung et al.  
D528,577 S 9/2006 Byun et al.  
D533,206 S 12/2006 Kim  
D552,142 S 10/2007 Chung

\* cited by examiner

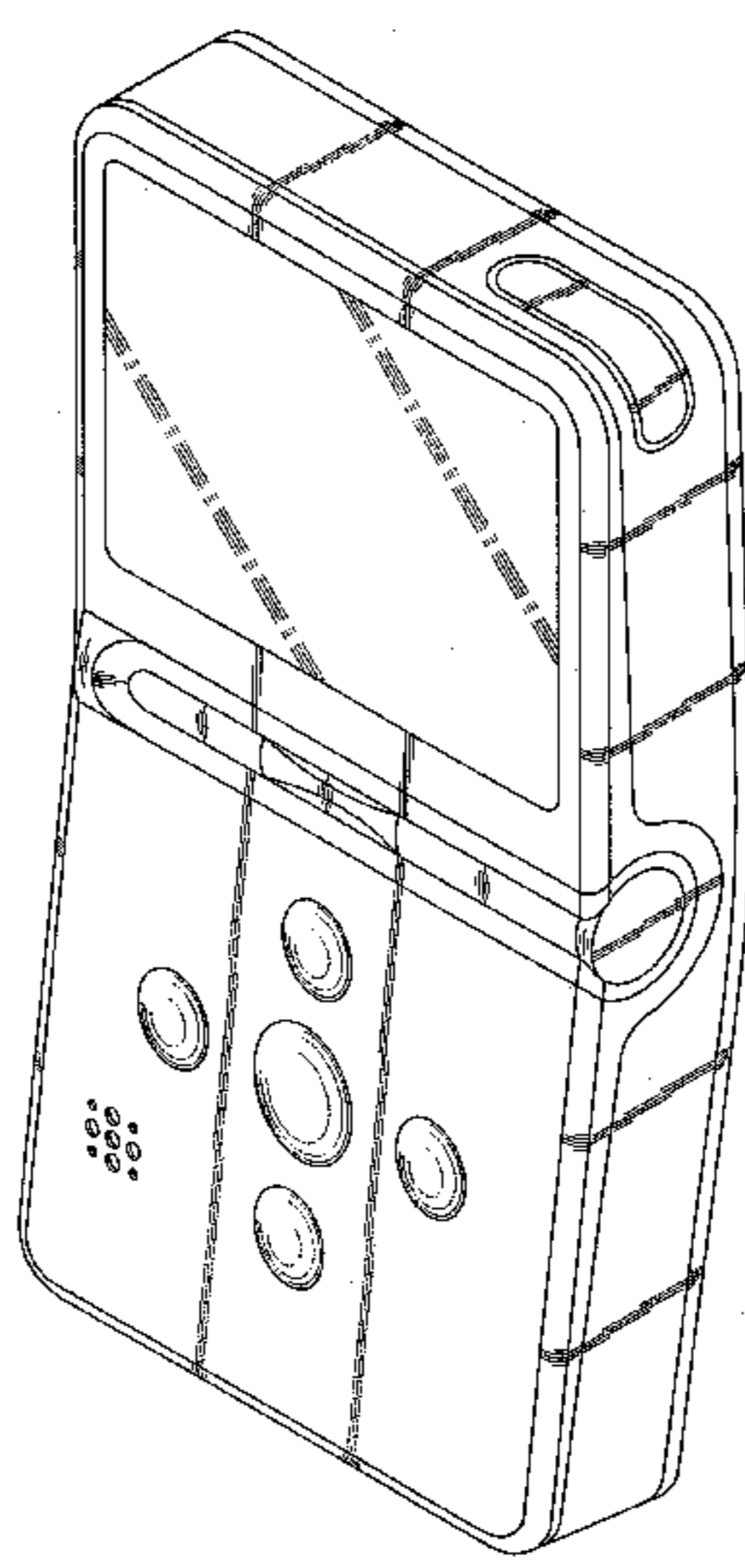
*Primary Examiner* — Adir Aronovich  
(74) *Attorney, Agent, or Firm* — Flynn, Thiel, Boutell &  
Tanis, P.C.

(57) **CLAIM**  
The ornamental design for a camcorder, as shown and  
described.

**DESCRIPTION**

FIG. 1 is a top front perspective view of a camcorder showing  
my new design;  
FIG. 2 is a front elevational view thereof;  
FIG. 3 is a rear elevational view thereof;  
FIG. 4 is a left side elevational view thereof;  
FIG. 5 is a right side elevational view thereof;  
FIG. 6 is a top plan view thereof; and,  
FIG. 7 is a bottom plan view thereof.

**1 Claim, 5 Drawing Sheets**



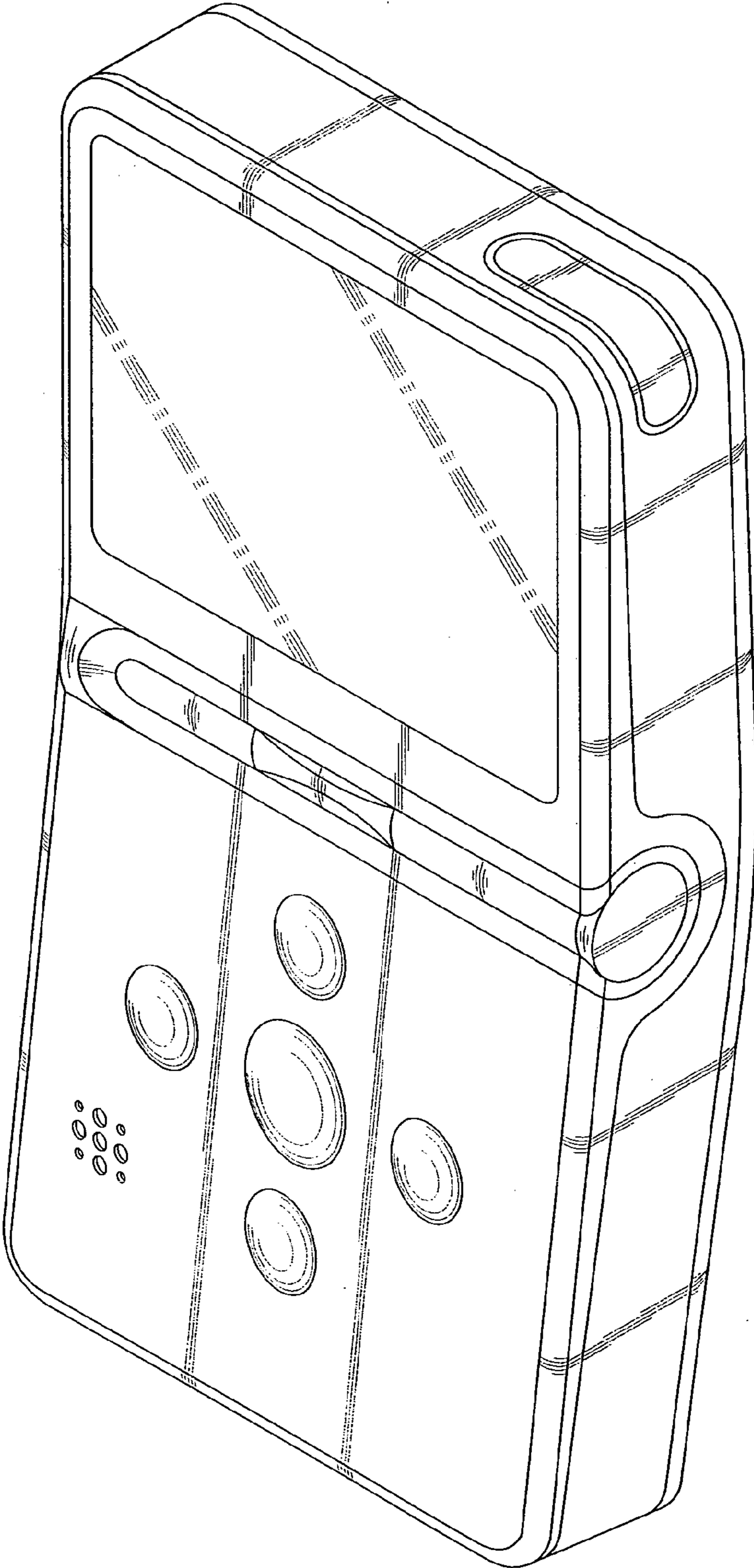


FIG. 1

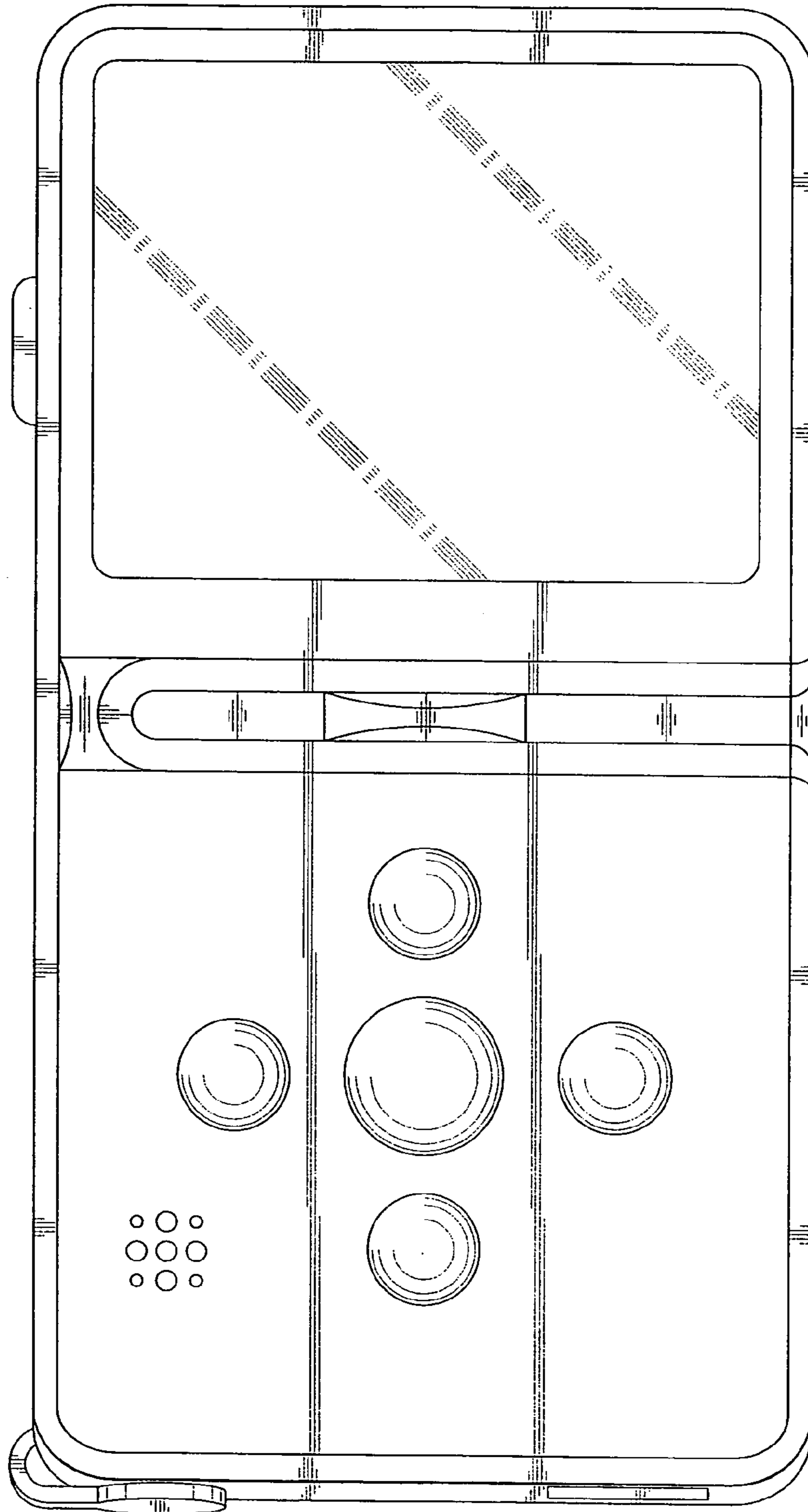


FIG. 2

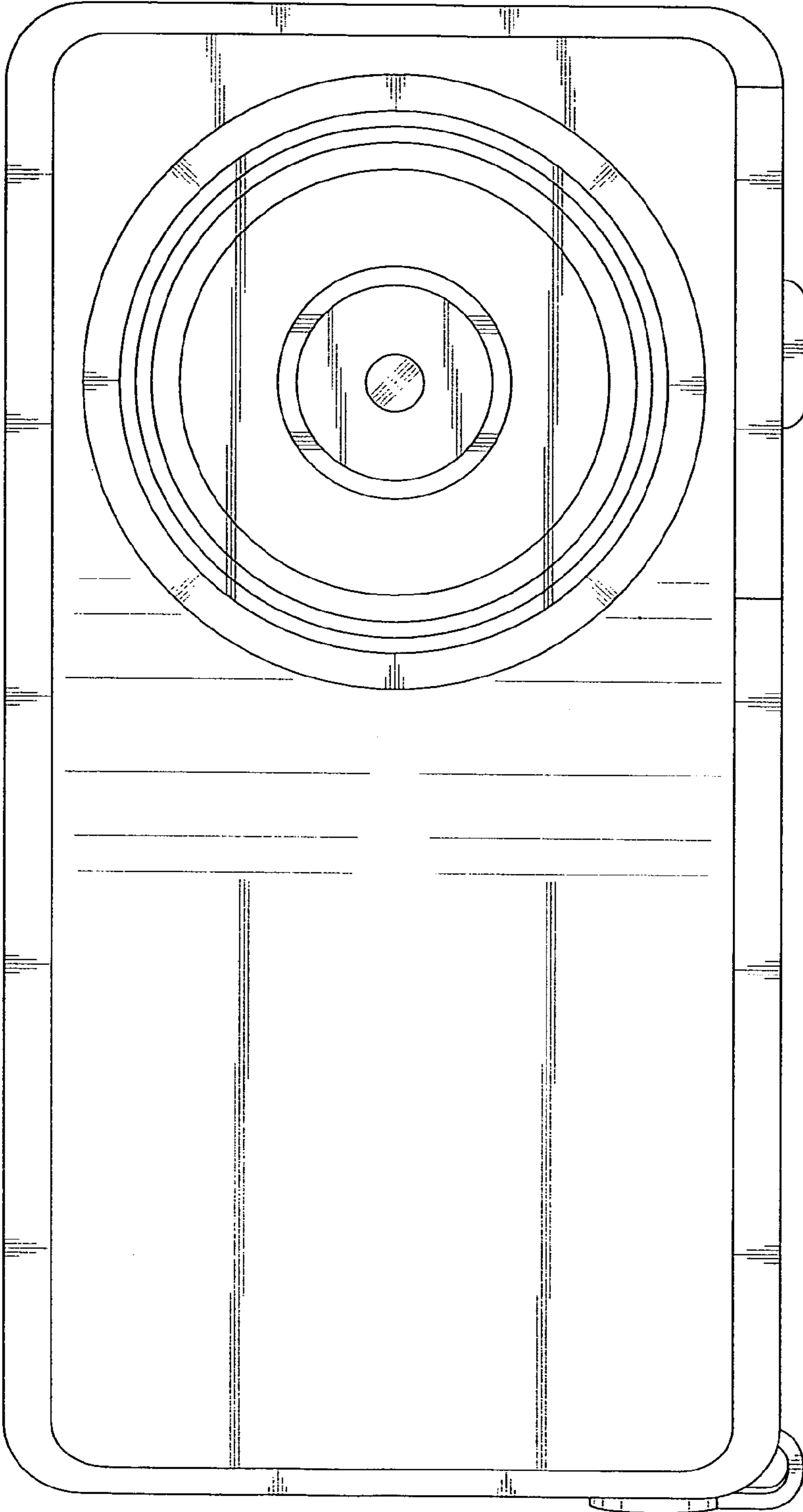


FIG. 3



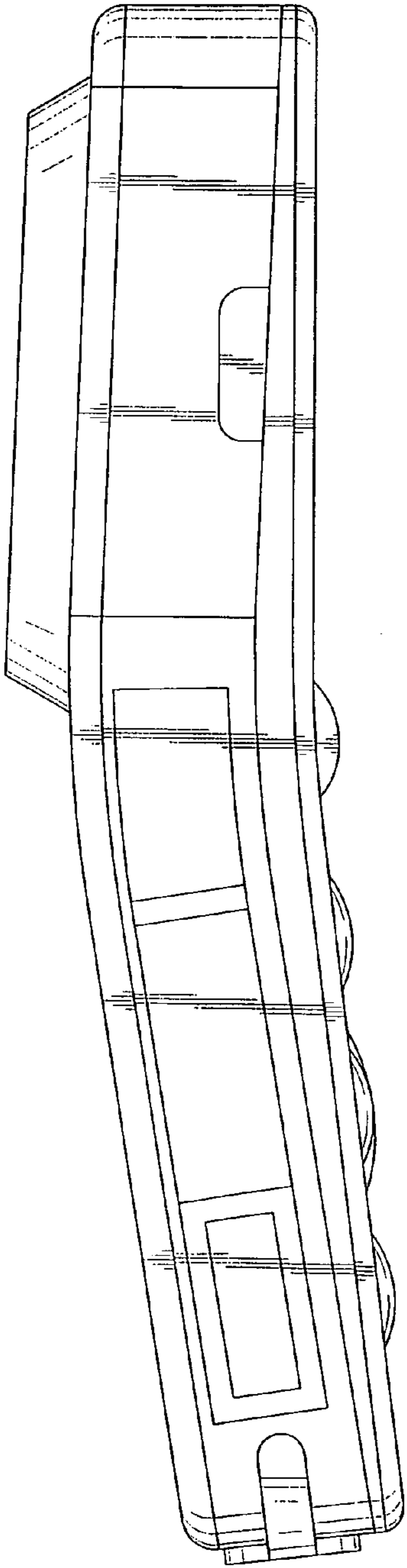


FIG. 4

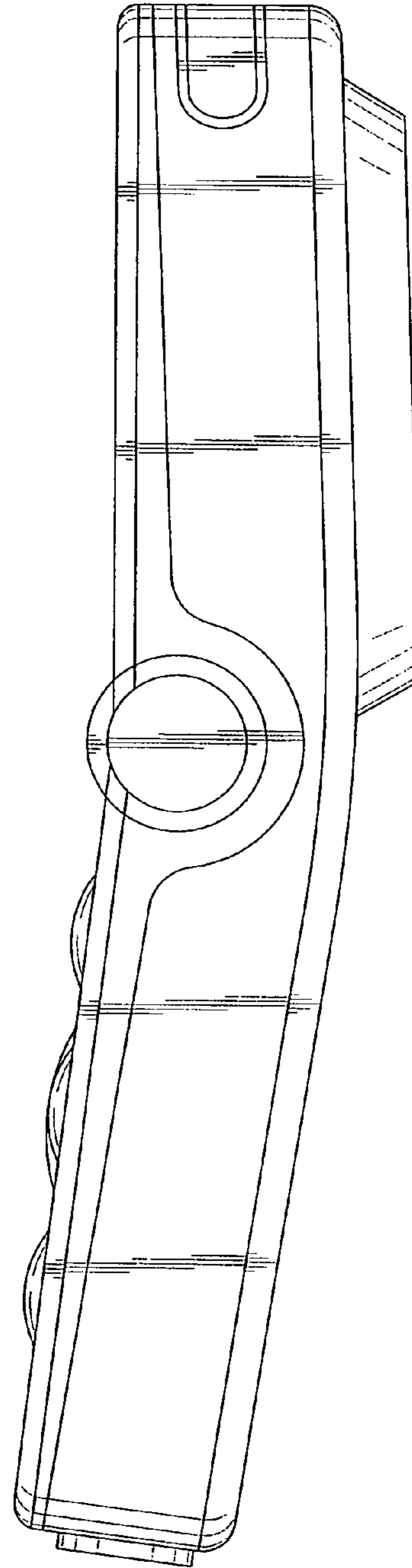


FIG. 5

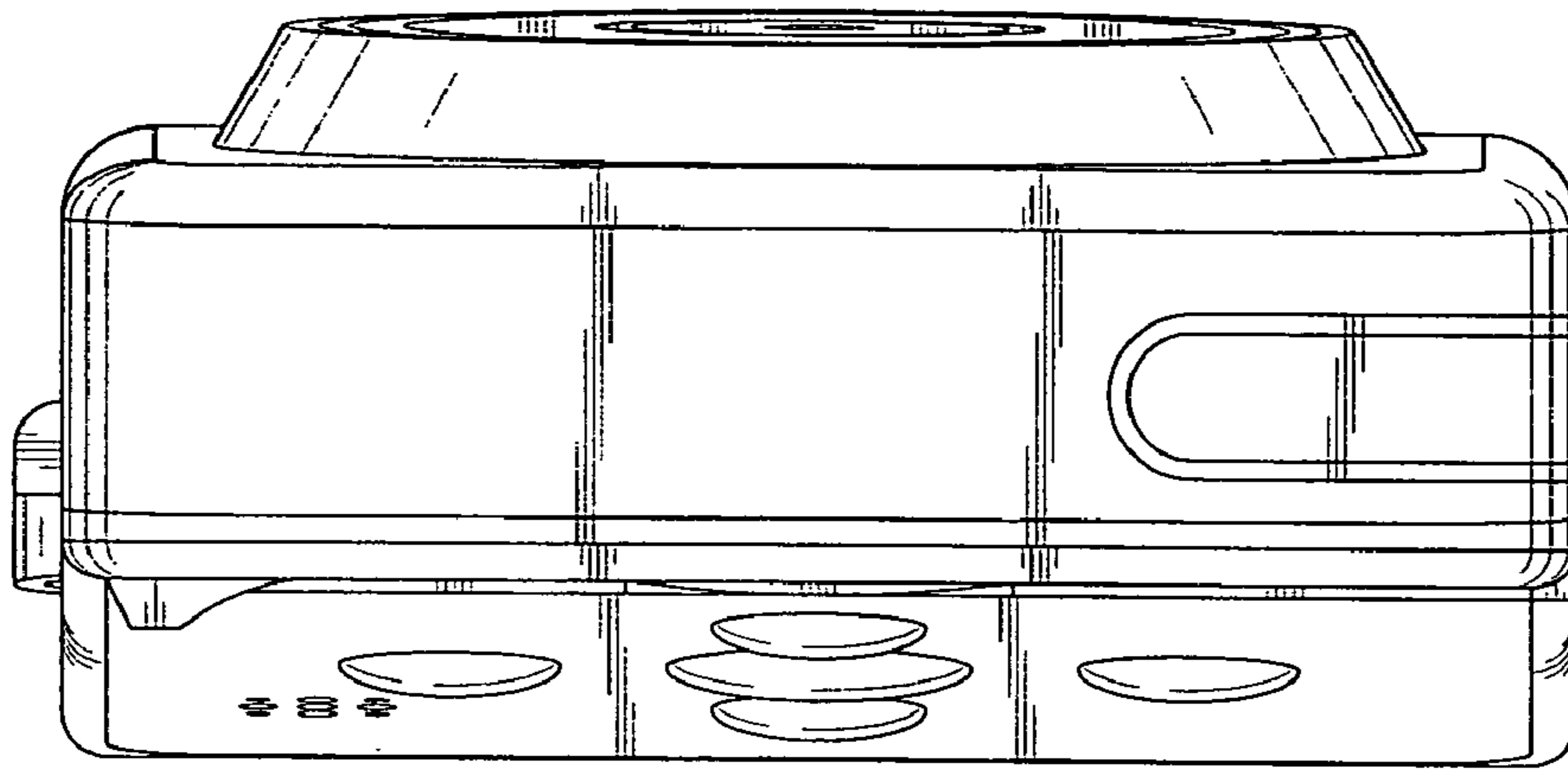


FIG. 6

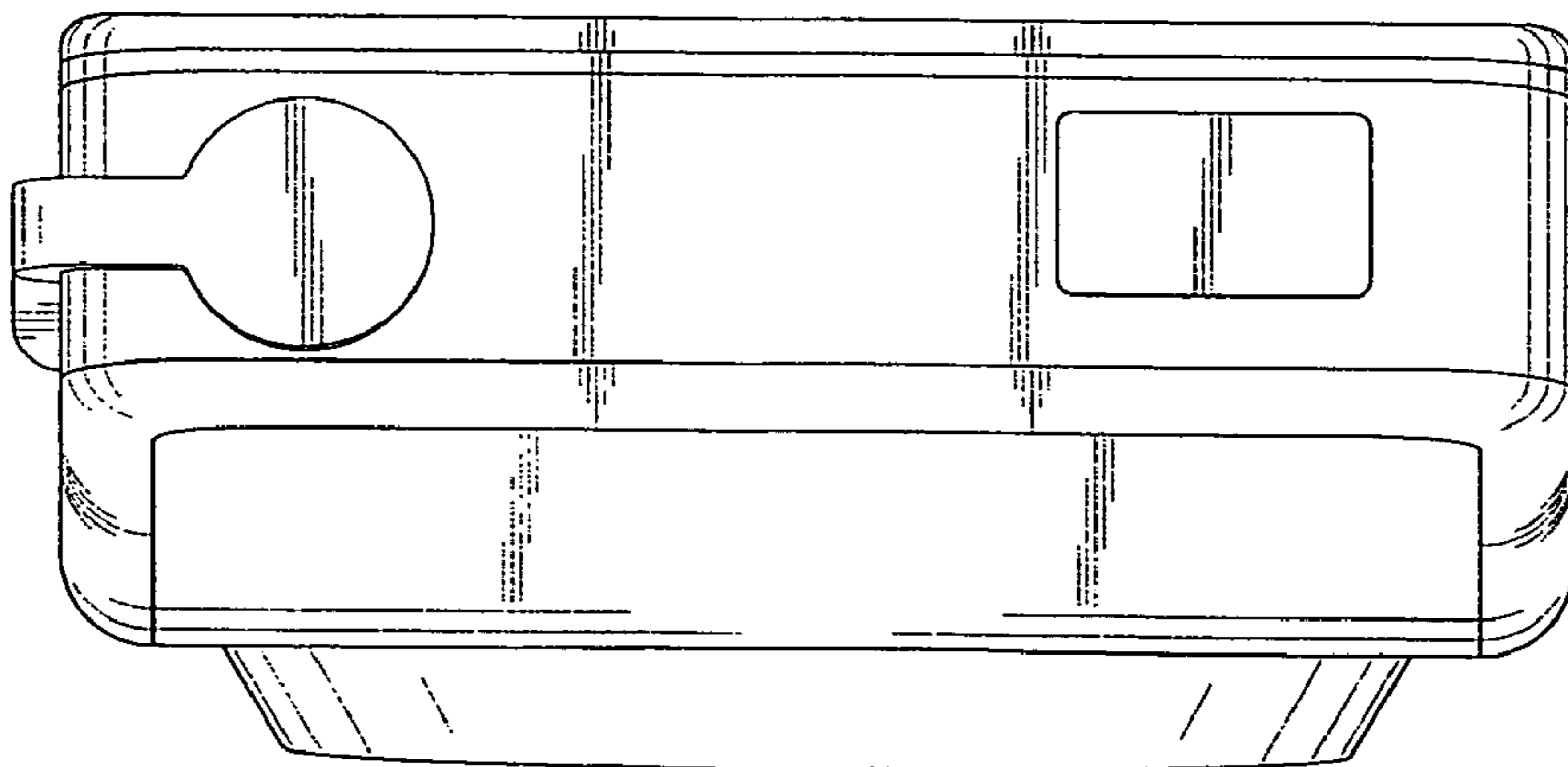


FIG. 7