



US00D639326S

(12) **United States Design Patent**
Baba et al.

(10) **Patent No.:** **US D639,326 S**
(45) **Date of Patent:** **** Jun. 7, 2011**

- (54) **DIGITAL CAMERA**
- (75) Inventors: **Kenji Baba**, Tokyo (JP); **Kenji Yamauchi**, Seoul (KR)
- (73) Assignee: **Samsung Electronics Co., Ltd.**, Suwon, Kyunggi-Do (KR)
- (**) Term: **14 Years**
- (21) Appl. No.: **29/370,578**
- (22) Filed: **Aug. 6, 2010**
- (51) **LOC (9) Cl.** **16-01**
- (52) **U.S. Cl.** **D16/202**
- (58) **Field of Classification Search** D16/200–204, D16/218; 348/373–376; 358/909.1; 396/535–541
See application file for complete search history.

- D550,743 S 9/2007 Bai
- D551,275 S 9/2007 Kim
- D552,646 S 10/2007 Bai
- D552,647 S 10/2007 Bai
- D553,657 S 10/2007 Bai
- D556,229 S 11/2007 Bai
- D561,218 S 2/2008 Kim
- D561,219 S * 2/2008 Nagayama et al. D16/202
- D561,799 S 2/2008 Bai
- D585,084 S * 1/2009 Yamamoto et al. D16/202
- D586,374 S 2/2009 Kim
- D590,427 S 4/2009 Kim
- D594,047 S 6/2009 Lee
- D597,576 S * 8/2009 Kim et al. D16/202
- 7,646,426 B2 * 1/2010 Saiki et al. 348/373
- D620,966 S 8/2010 Chin et al.
- D627,381 S * 11/2010 Kwon D16/202
- D629,824 S * 12/2010 Takahashi D16/202

* cited by examiner

Primary Examiner — Adir Aronovich
(74) *Attorney, Agent, or Firm* — Flynn, Thiel, Boutell & Tanis, P.C.

(56) **References Cited**

U.S. PATENT DOCUMENTS

- D474,792 S 5/2003 Hyun
- D521,023 S 5/2006 Kim et al.
- D522,555 S 6/2006 Choi
- D525,986 S 8/2006 Kim
- D525,987 S 8/2006 Kim
- D525,988 S 8/2006 Kim
- D525,989 S 8/2006 Choe
- D526,663 S 8/2006 Bang
- D527,016 S 8/2006 Millora
- D527,017 S 8/2006 Kim
- D527,403 S 8/2006 Byun et al.
- D527,405 S 8/2006 Kim et al.
- D528,126 S 9/2006 Kim
- D531,652 S * 11/2006 Ogino et al. D16/202
- D533,187 S 12/2006 Lee
- D534,196 S 12/2006 Kim et al.
- D547,347 S 7/2007 Kim

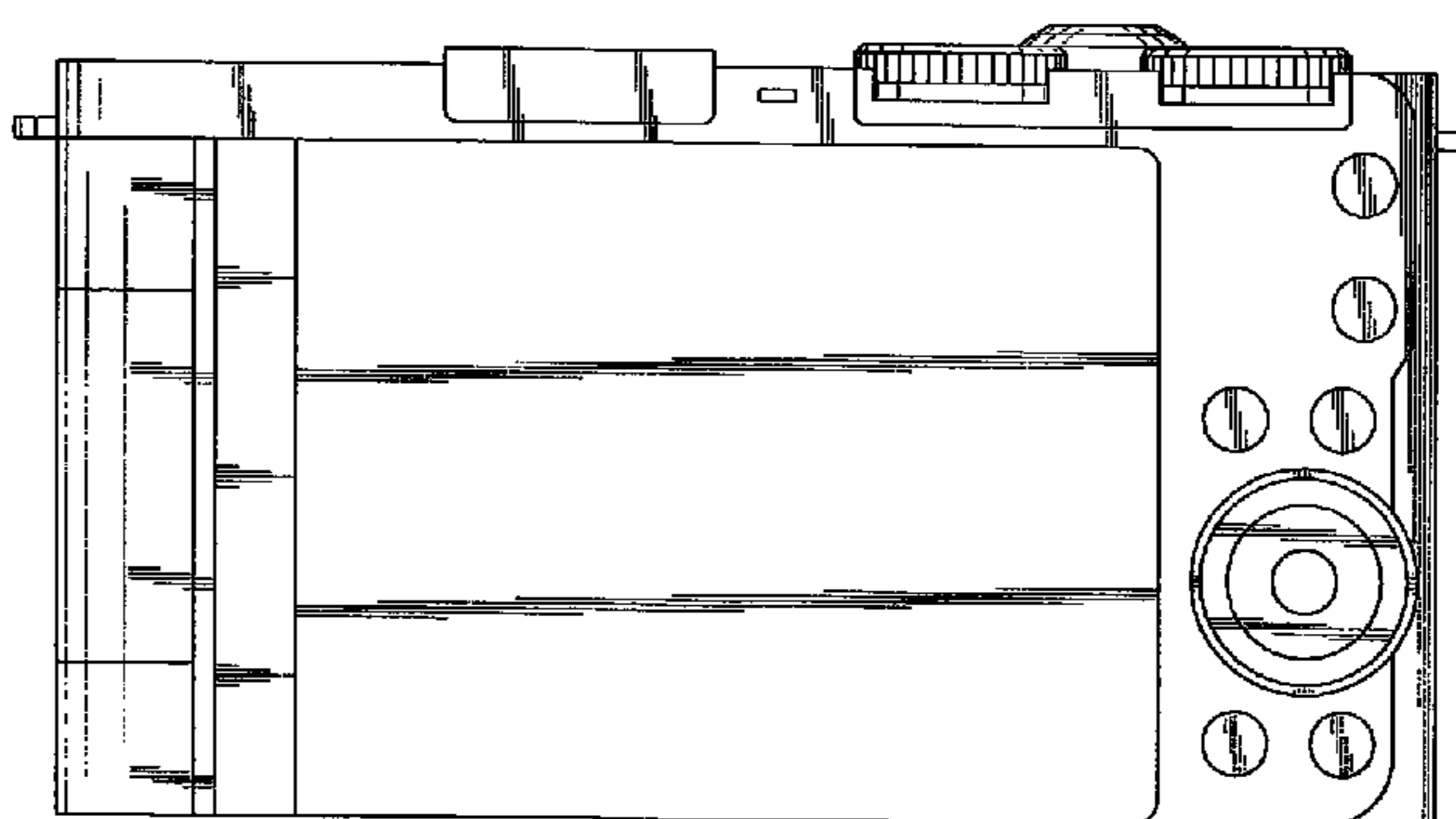
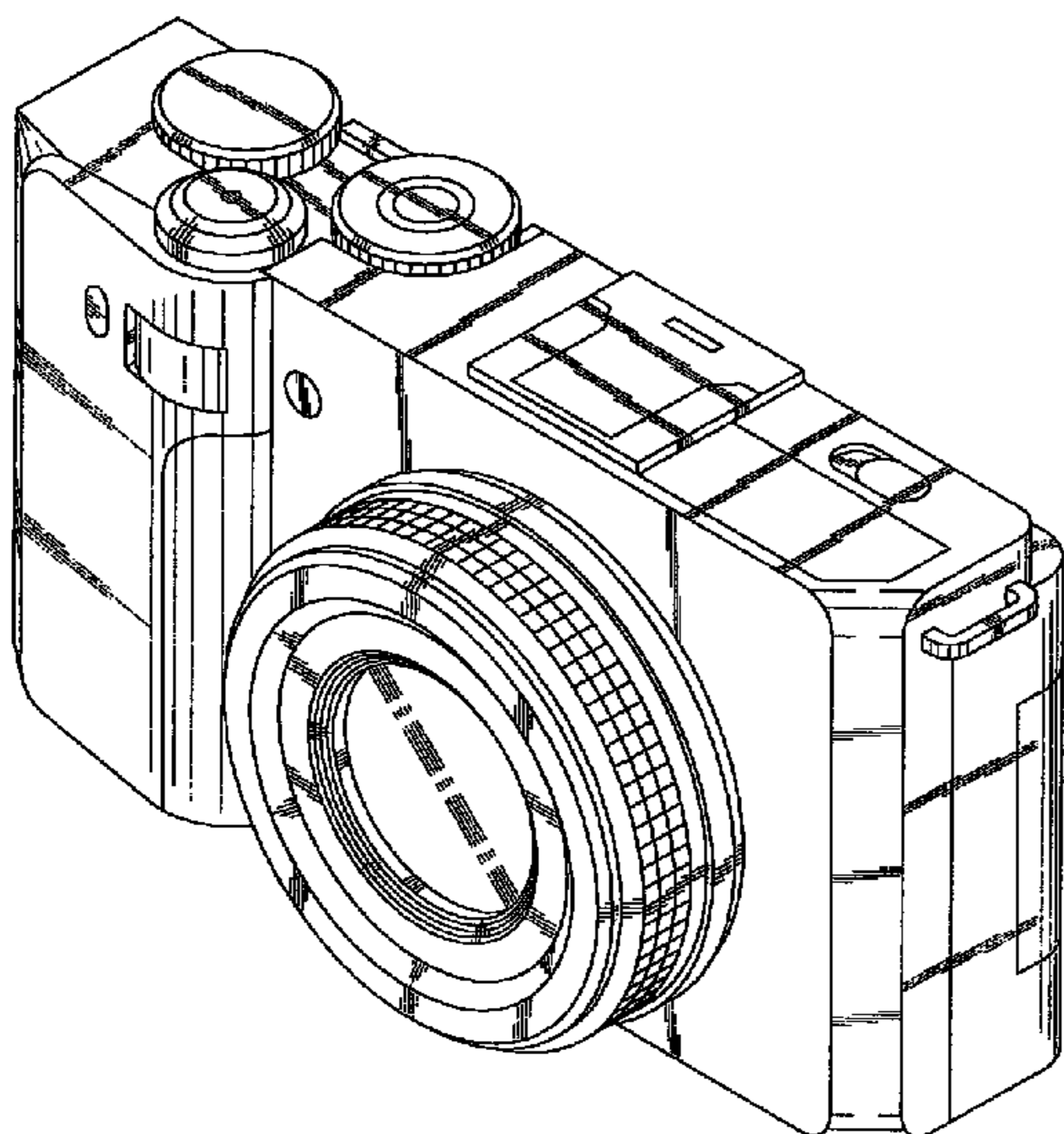
(57) **CLAIM**

The ornamental design for a digital camera, as shown and described.

DESCRIPTION

FIG. 1 is a top front perspective view of a digital camera showing our new design;
FIG. 2 is a front elevational view thereof;
FIG. 3 is a rear elevational view thereof;
FIG. 4 is a left side elevational view thereof;
FIG. 5 is a right side elevational view thereof;
FIG. 6 is a top plan view thereof; and,
FIG. 7 is a bottom plan view thereof.

1 Claim, 4 Drawing Sheets



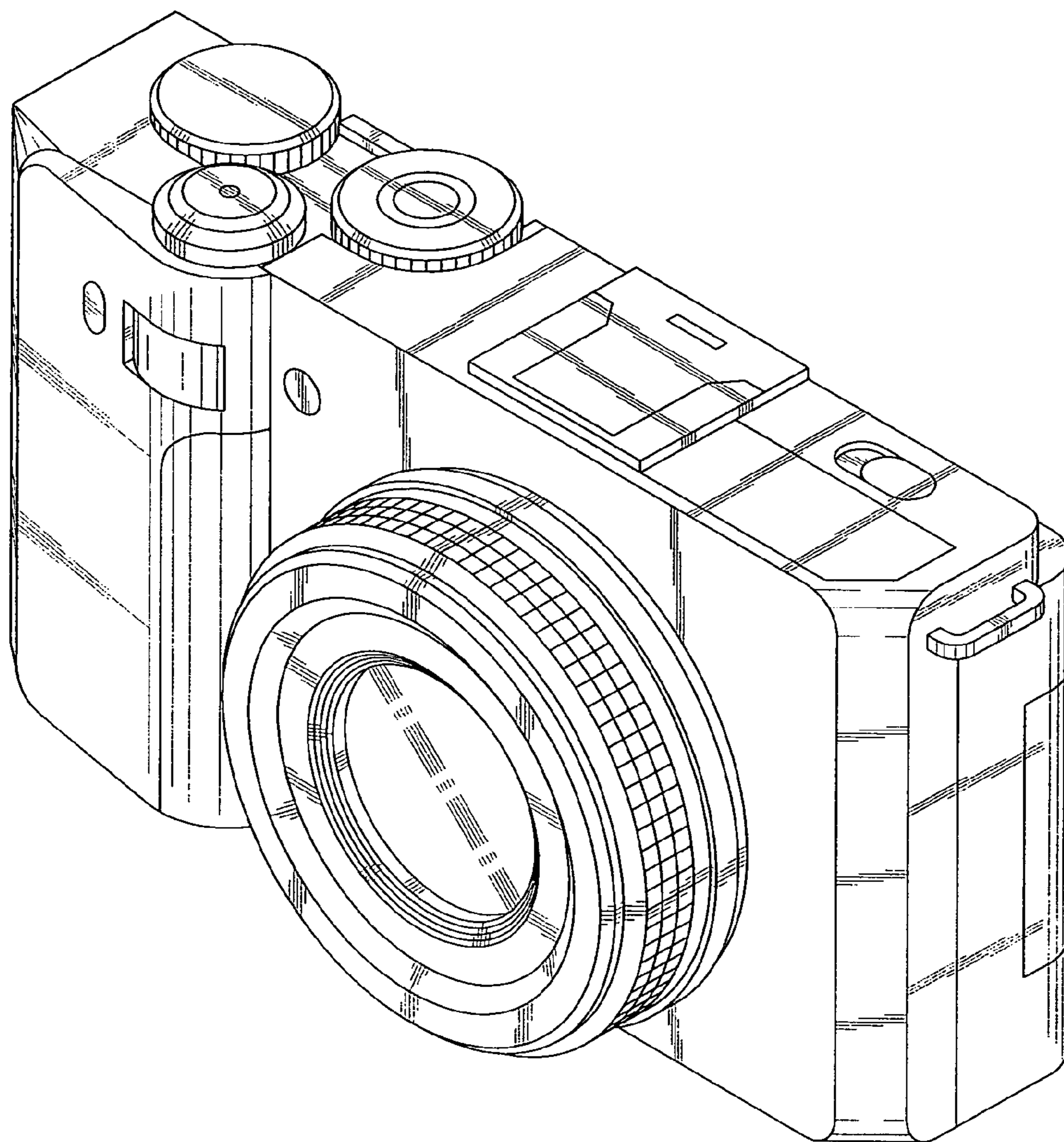


FIG. 1

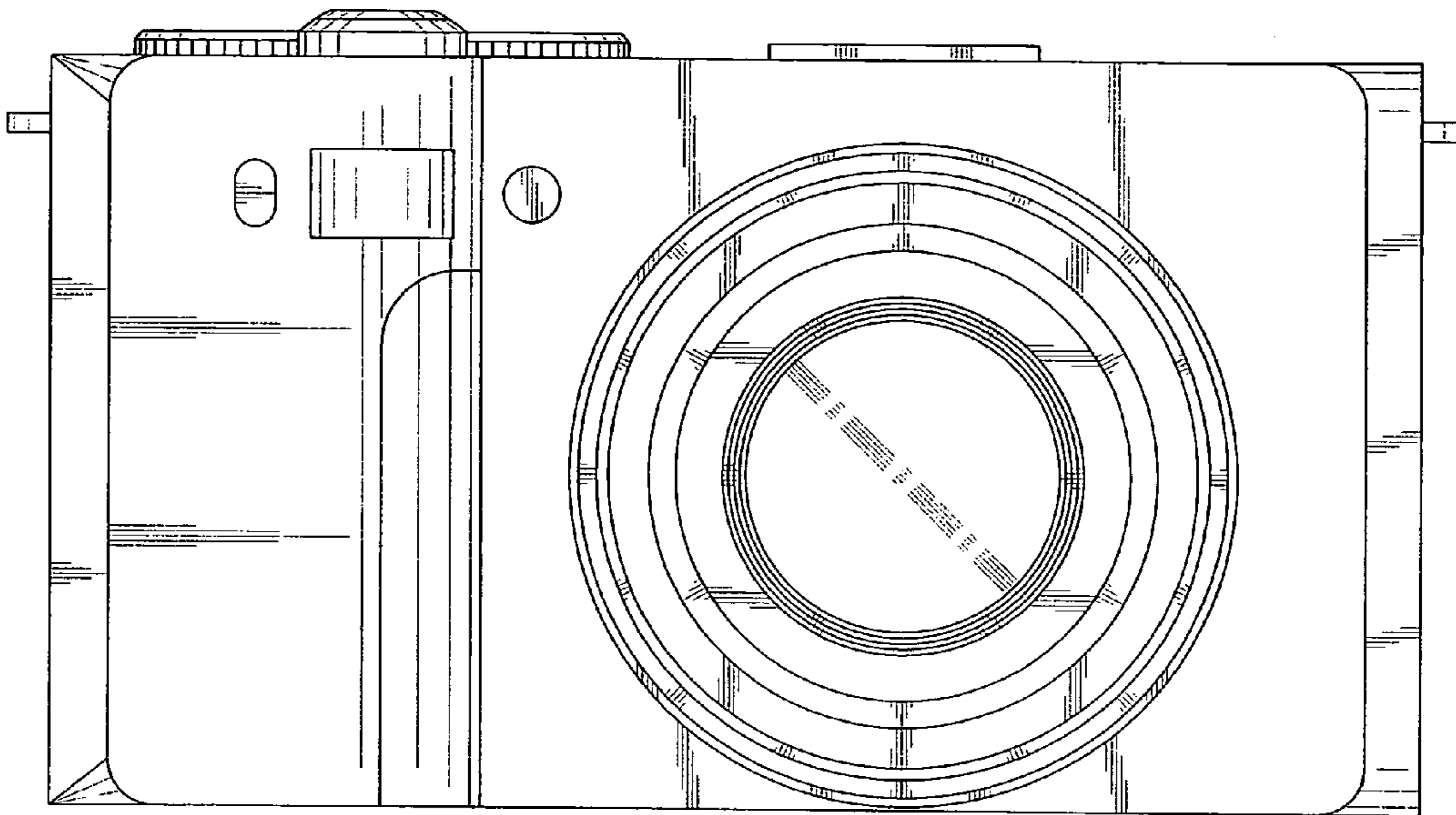


FIG. 2

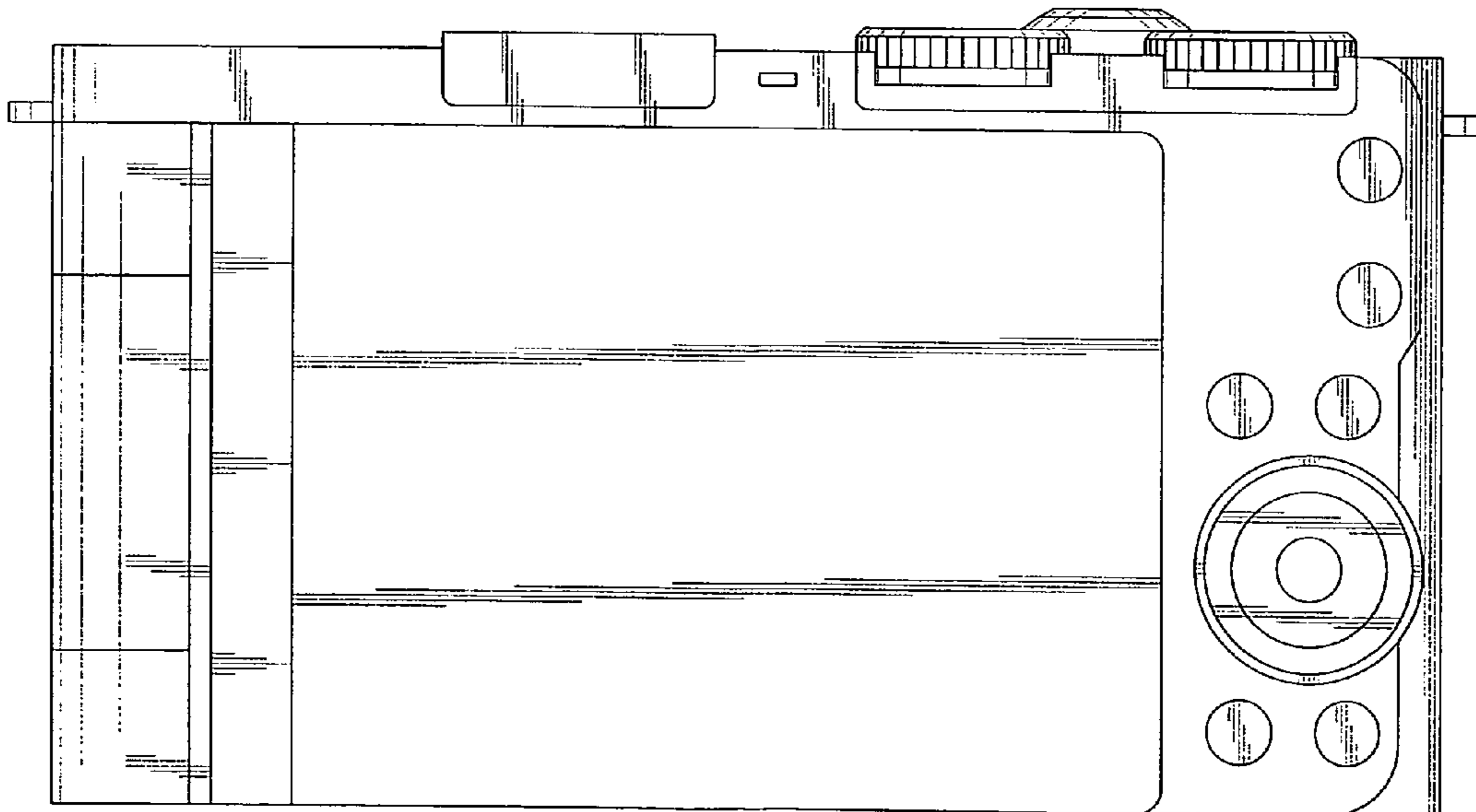


FIG. 3

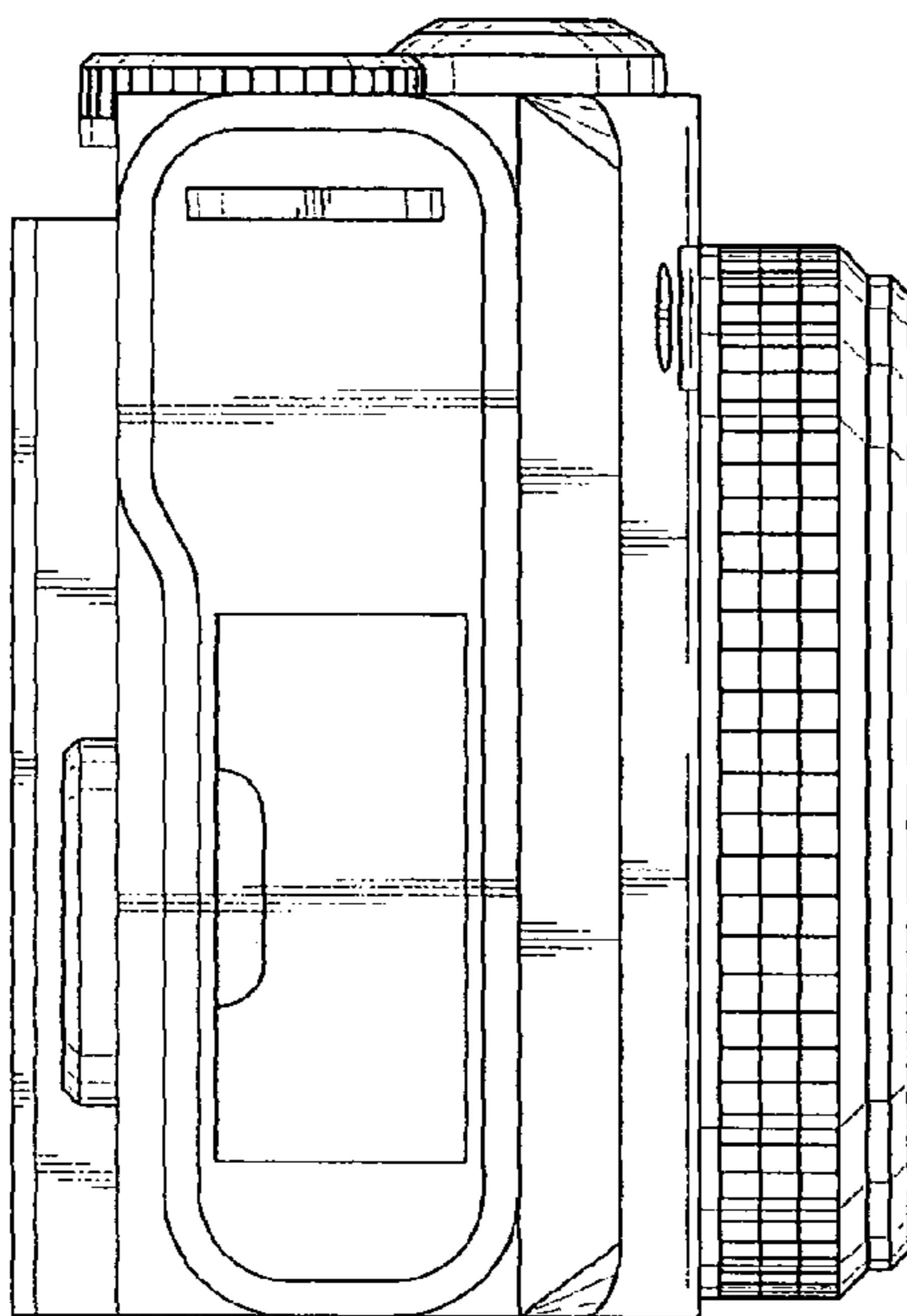


FIG. 4

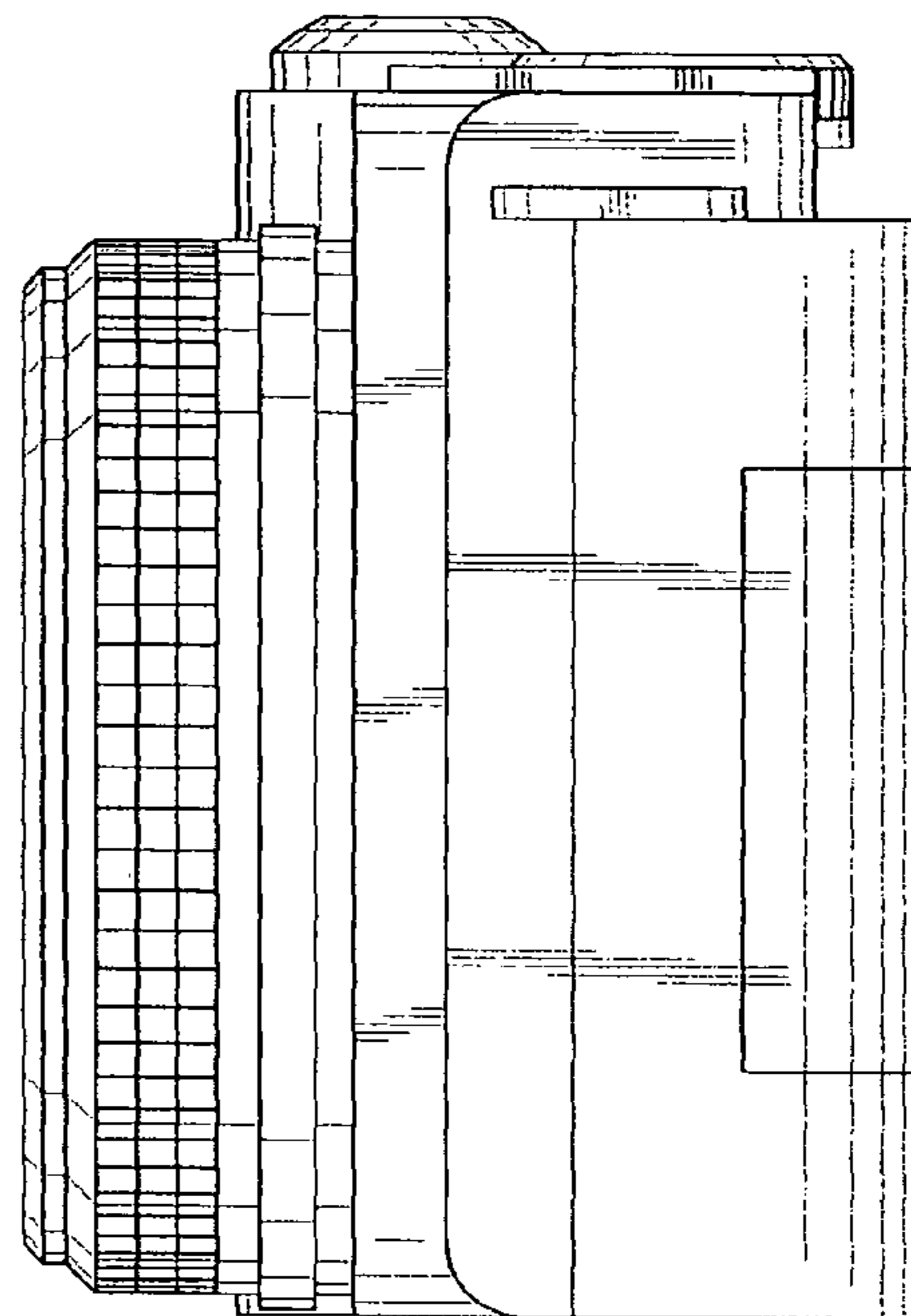


FIG. 5

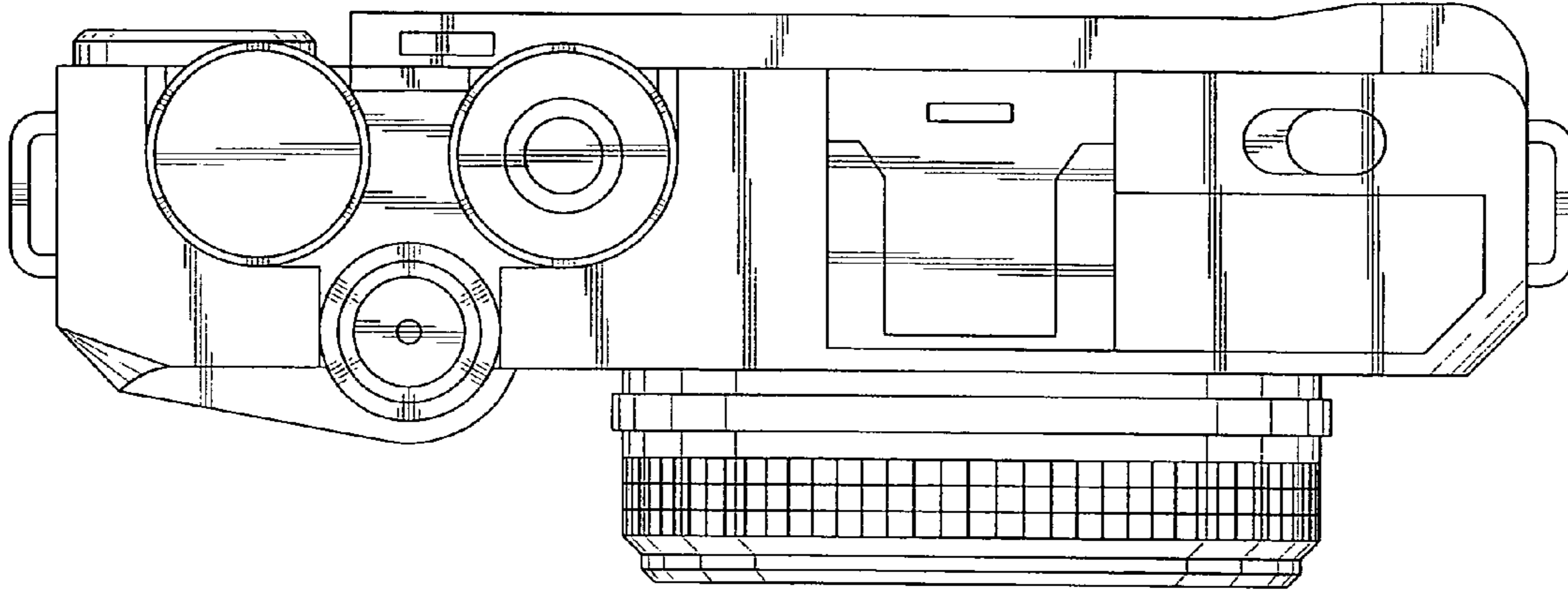


FIG. 6

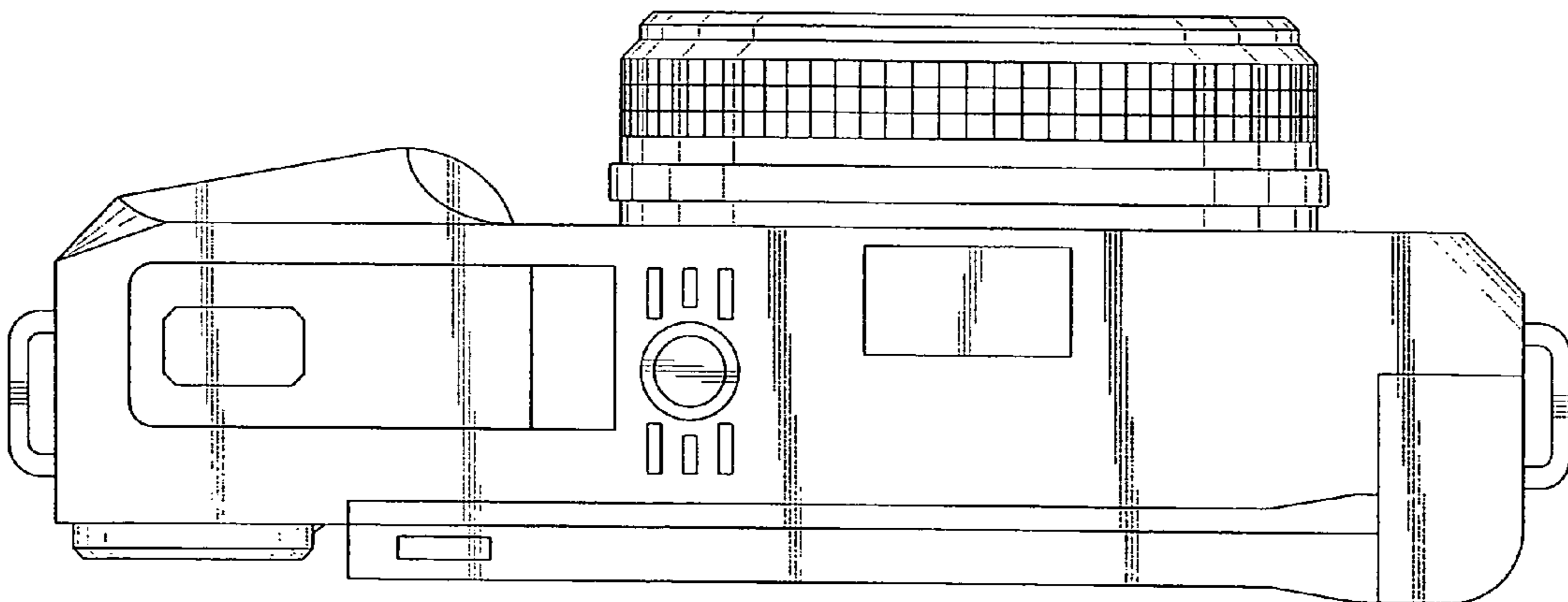


FIG. 7