



US00D639324S

(12) **United States Design Patent**
Stohr et al.

(10) **Patent No.:** **US D639,324 S**

(45) **Date of Patent:** **** Jun. 7, 2011**

(54) **MICROSCOPE**

(75) Inventors: **Martin Stohr**, Jena (DE); **Michael Winterot**, Jena (DE); **Ilka Schlesiger**, Jena (DE)

(73) Assignee: **Carl Zeiss MicroImaging GmbH**, Jena (DE)

(**) Term: **14 Years**

(21) Appl. No.: **29/370,250**

(22) Filed: **Jun. 21, 2010**

(30) **Foreign Application Priority Data**

Dec. 21, 2009 (EM) 001650300

(51) **LOC (9) Cl.** **16-06**

(52) **U.S. Cl.** **D16/131**

(58) **Field of Classification Search** D16/131,
D16/130; D21/483; 359/368, 375, 374,
359/363, 370, 376, 388, 391, 384, 385
See application file for complete search history.

(56) **References Cited**

U.S. PATENT DOCUMENTS

3,551,019 A * 12/1970 Kurt 356/326
3,734,593 A * 5/1973 Mori 359/376
D234,368 S * 2/1975 Michel D16/131
4,210,384 A * 7/1980 Meyer et al. 359/363

4,573,772 A * 3/1986 Endo et al. 359/370
4,605,287 A * 8/1986 Lang et al. 359/374
D308,879 S * 6/1990 Hoogesteger D16/131
7,023,614 B2 * 4/2006 Gilbert 359/385
D525,636 S * 7/2006 Apotheloz D16/131
7,151,634 B2 * 12/2006 Hoyer 359/390
7,167,303 B2 * 1/2007 Gilbert 359/368
D579,959 S * 11/2008 Apotheloz D16/131
D602,058 S * 10/2009 Dunn D16/131

* cited by examiner

Primary Examiner — Paula Greene

(74) *Attorney, Agent, or Firm* — Patterson Thuent Christensen Pedersen, P.A.

(57) **CLAIM**

We claim the ornamental design for a microscope, as shown and described.

DESCRIPTION

FIG. 1 is a front perspective view of a microscope showing our new design, the opposite perspective view is a mirror image;

FIG. 2 is a rear perspective view thereof, the opposite perspective view is a mirror image; and,

FIG. 3 is a side elevational view thereof, the opposite side is a mirror image.

In the drawings, the dashed lines represent portions of the microscope which form no part of the claimed design.

1 Claim, 3 Drawing Sheets

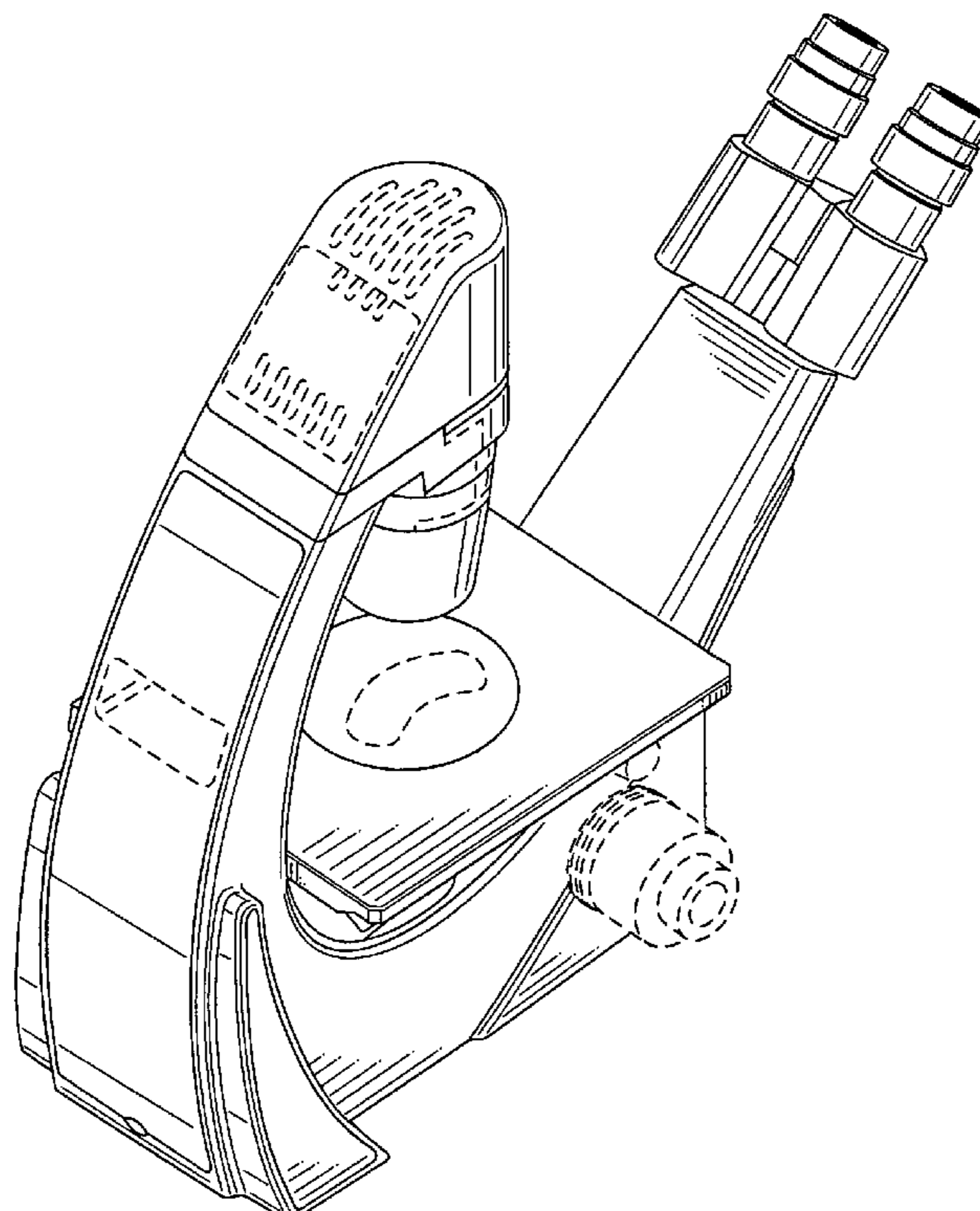


Fig. 1

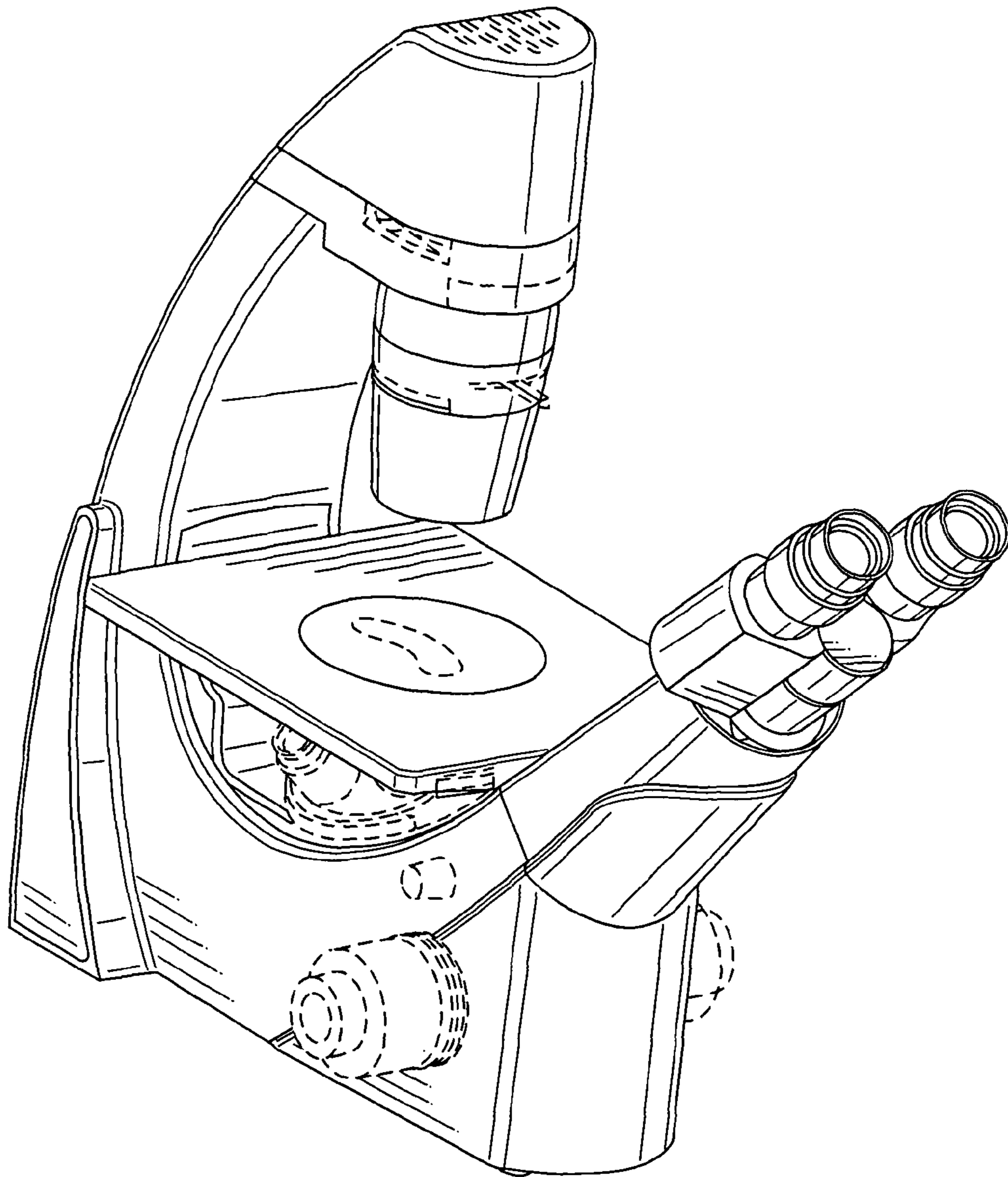


Fig. 2

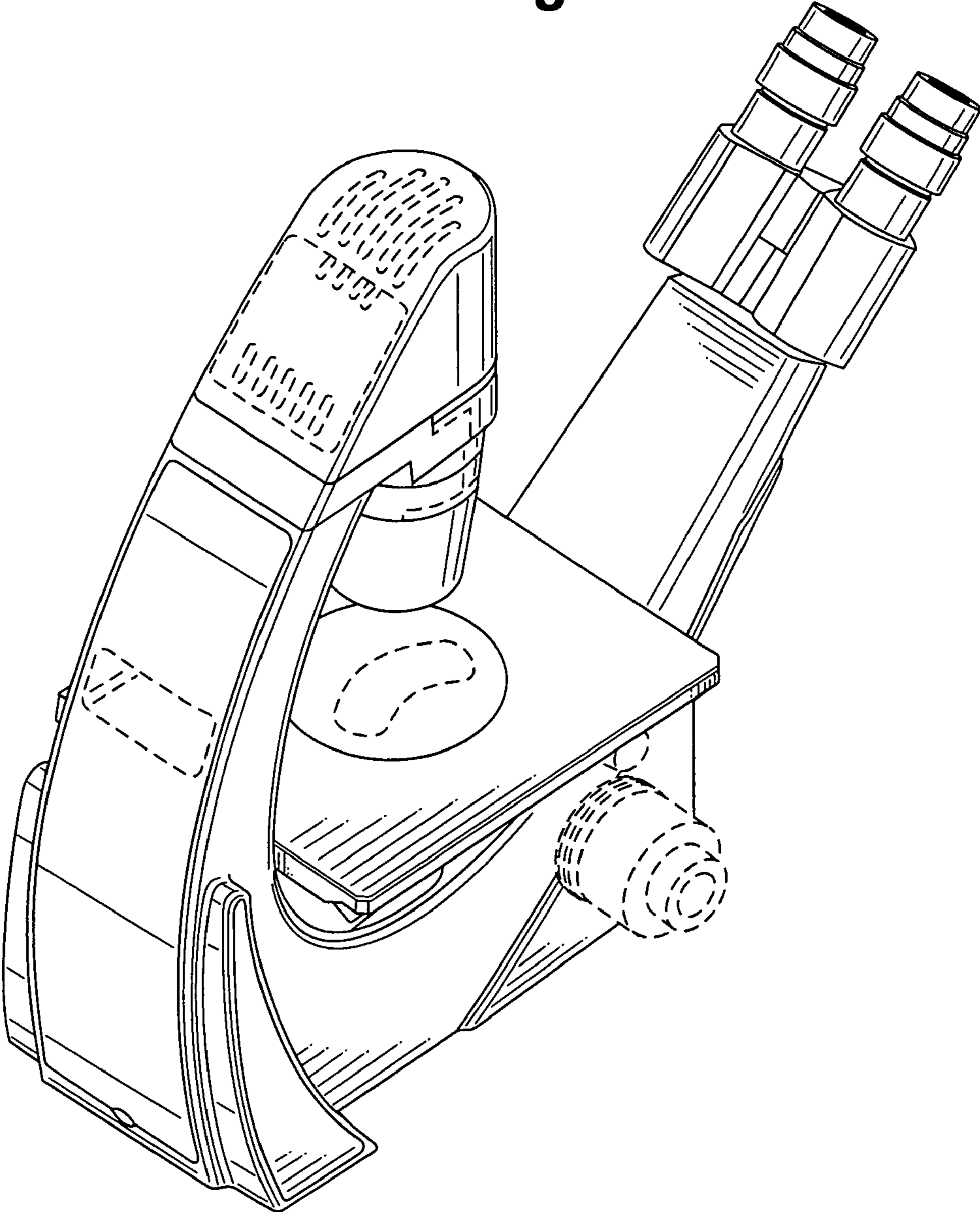


Fig. 3

