



US00D639321S

(12) **United States Design Patent**
Torii et al.

(10) **Patent No.:** **US D639,321 S**

(45) **Date of Patent:** **** Jun. 7, 2011**

(54) **ROTARY ACTUATOR**

(75) Inventors: **Nobutaka Torii**, Tsukubamirai (JP);
Naoki Kurosawa, Tsukubamirai (JP)

(73) Assignee: **SMC Corporation**, Chiyoda-ku, Tokyo
(JP)

(**) Term: **14 Years**

(21) Appl. No.: **29/384,025**

(22) Filed: **Jan. 26, 2011**

(30) **Foreign Application Priority Data**

Oct. 18, 2010 (JP) 2010-024842

(51) **LOC (9) Cl.** **15-09**

(52) **U.S. Cl.** **D15/143**

(58) **Field of Classification Search** D13/158,
D13/162, 184; D15/5, 7, 9, 143, 148, 199;
74/89.15, 411.5, 490.09; 297/14, 325, 327;
310/10, 12, 15, 20, 80, 300

See application file for complete search history.

(56) **References Cited**

U.S. PATENT DOCUMENTS

D239,319 S * 3/1976 Matousek D15/148
D304,834 S * 11/1989 Habicht D15/148
D313,650 S * 1/1991 Odegaard D23/386
6,603,229 B1 * 8/2003 Toye, IV 310/90

D479,541 S * 9/2003 Lannoch D15/148
6,932,319 B2 * 8/2005 Kowalski 251/129.11
D540,348 S * 4/2007 Chu D15/7
D541,816 S * 5/2007 Puls D15/7
2010/0060091 A1 * 3/2010 Nordgren 310/80

* cited by examiner

Primary Examiner — Patricia Palasik

(74) *Attorney, Agent, or Firm* — Yokoi & Co., U.S.A., Inc.;
Toshiyuki Yokoi

(57) **CLAIM**

The ornamental design for a rotary actuator, as shown and described.

DESCRIPTION

FIG. 1 shows a front view of a rotary actuator showing my new design;

FIG. 2 shows a rear view thereof;

FIG. 3 shows a right side view thereof;

FIG. 4 shows a left side view thereof;

FIG. 5 shows a top view thereof;

FIG. 6 shows a bottom view thereof;

FIG. 7 shows a top, front and right side perspective view thereof; and,

FIG. 8 shows a bottom, rear and left side perspective view thereof.

The portions of the design shown in broken lines in FIGS. 1 and 5-8 are for the purpose of illustrating the environment only and form no part of the claimed design.

1 Claim, 4 Drawing Sheets

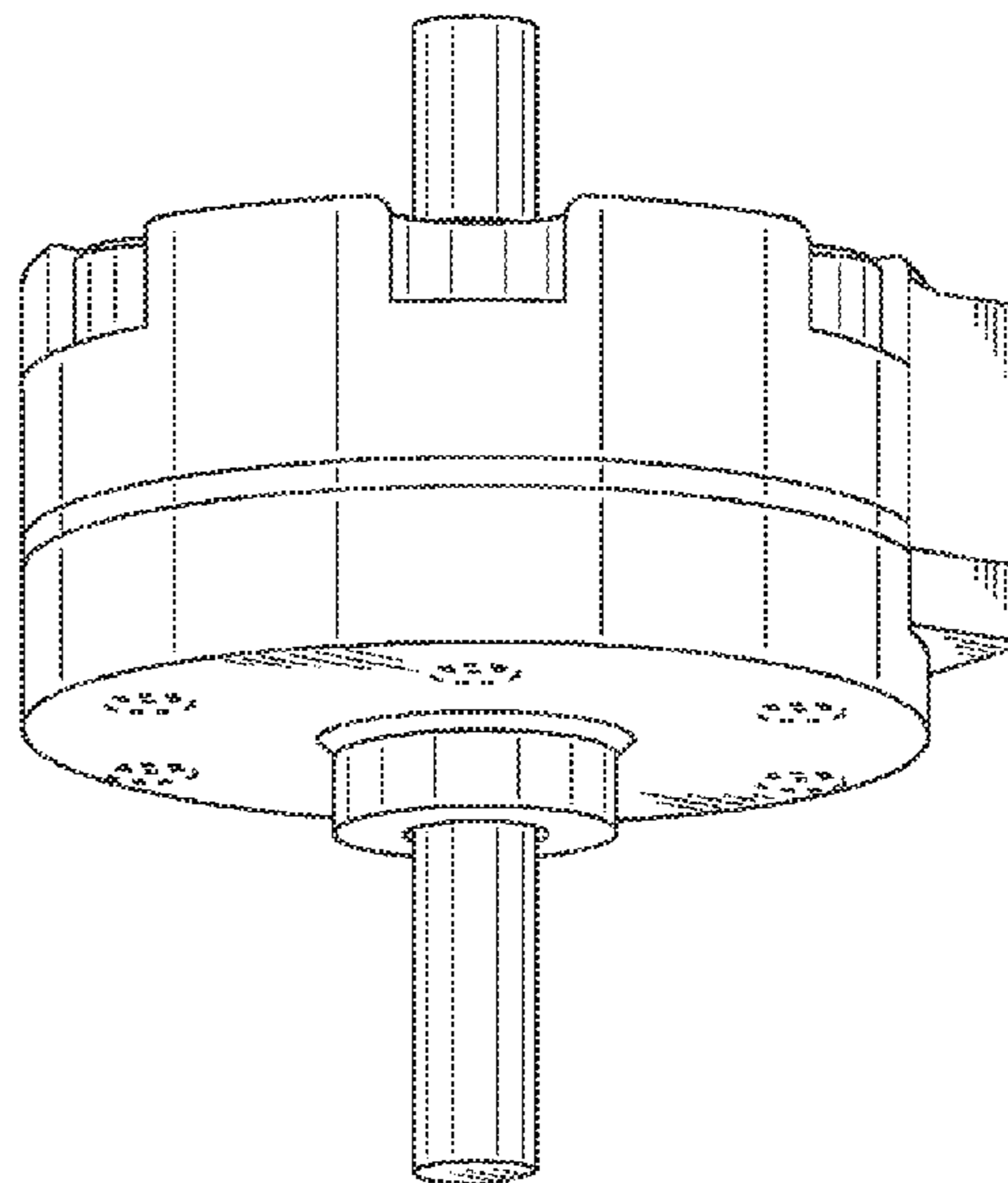
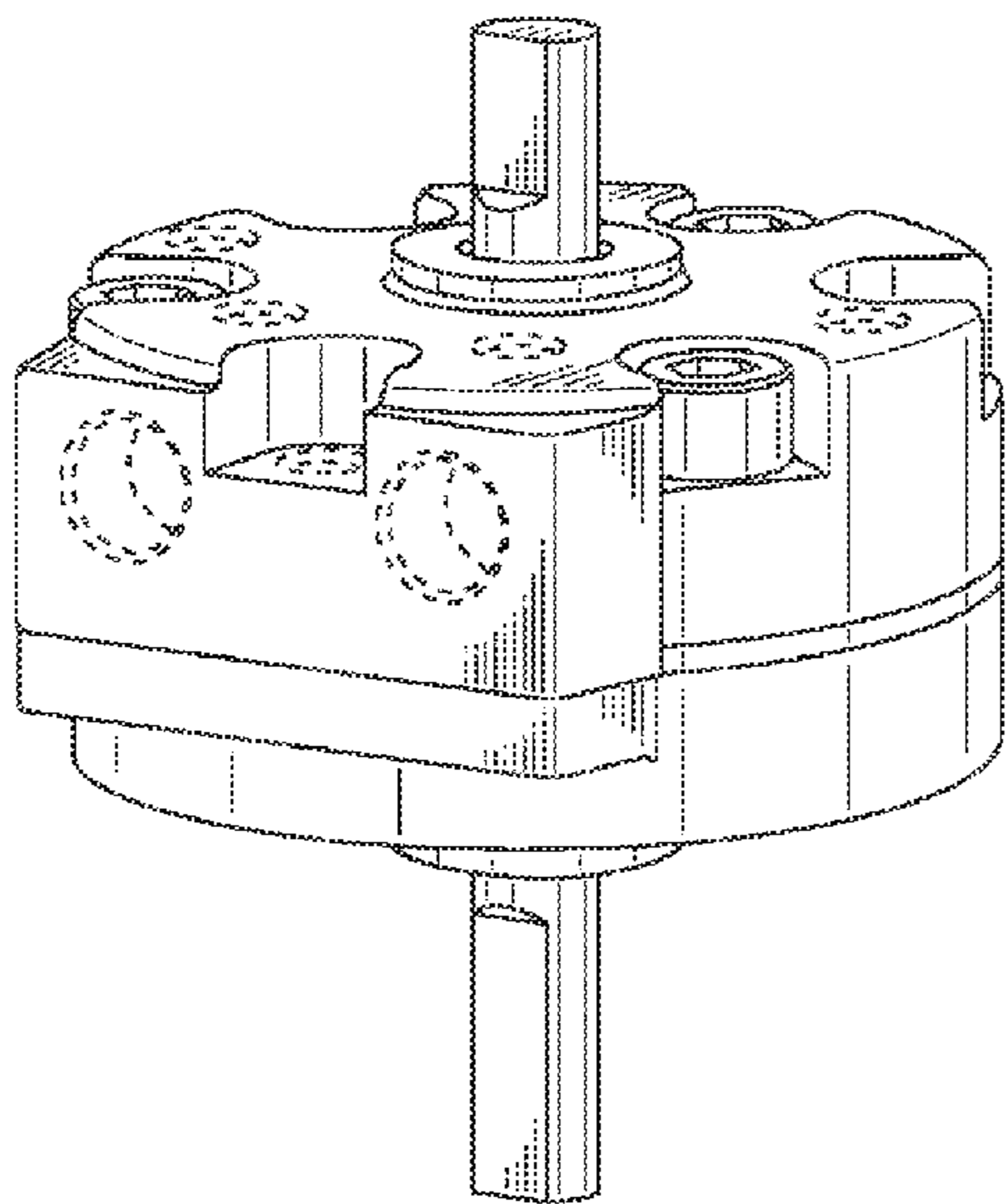


FIG. 1

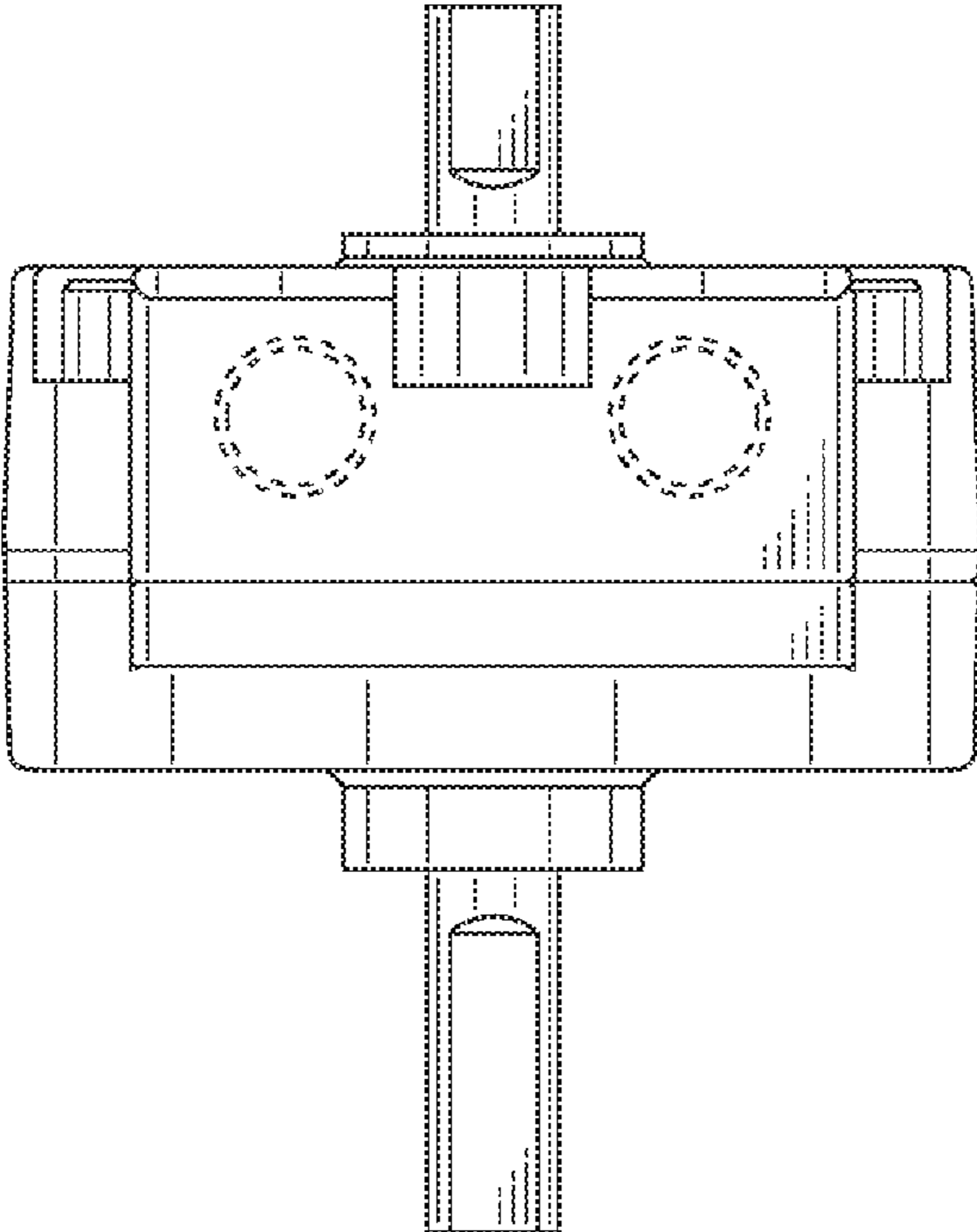


FIG. 2

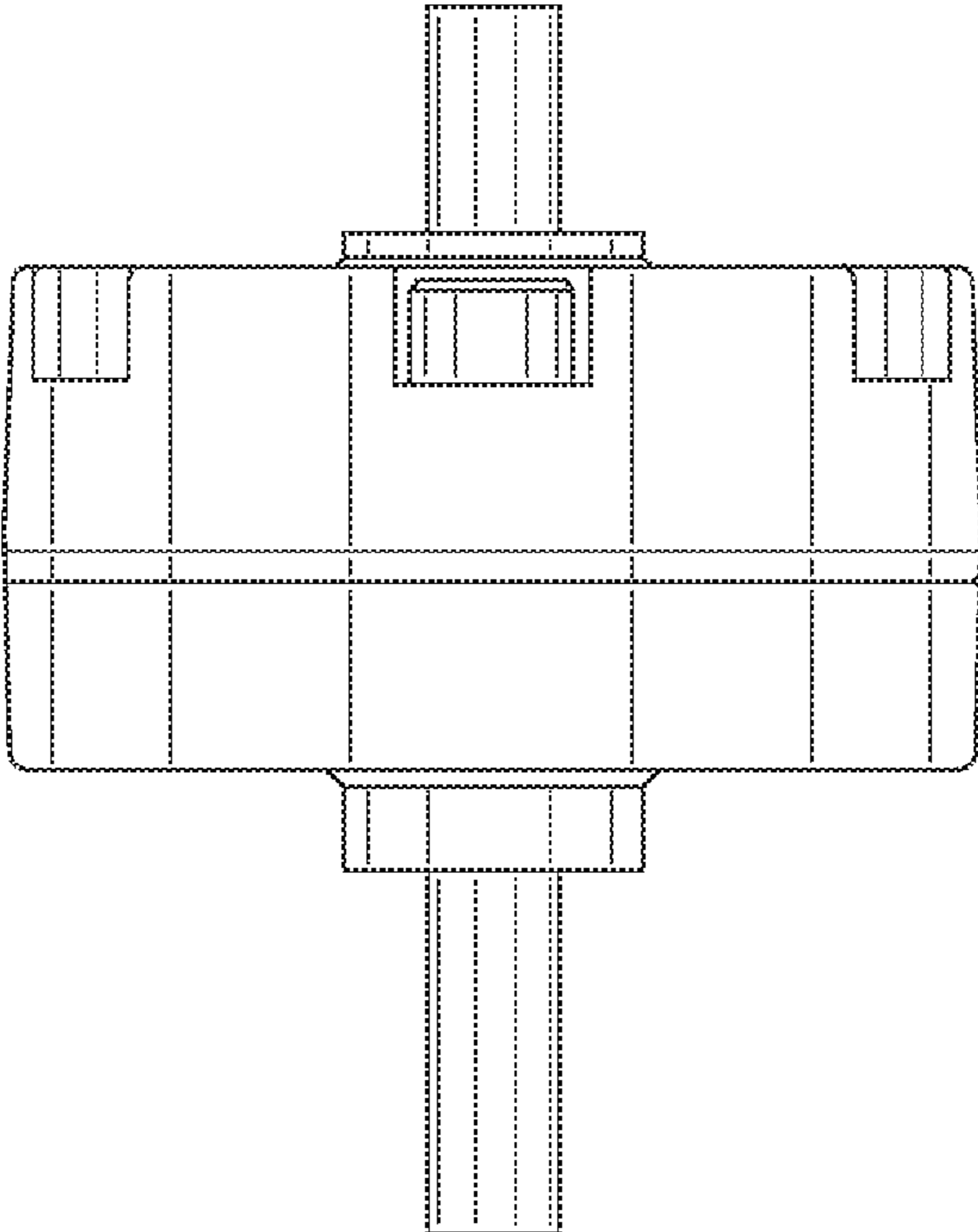


FIG. 3

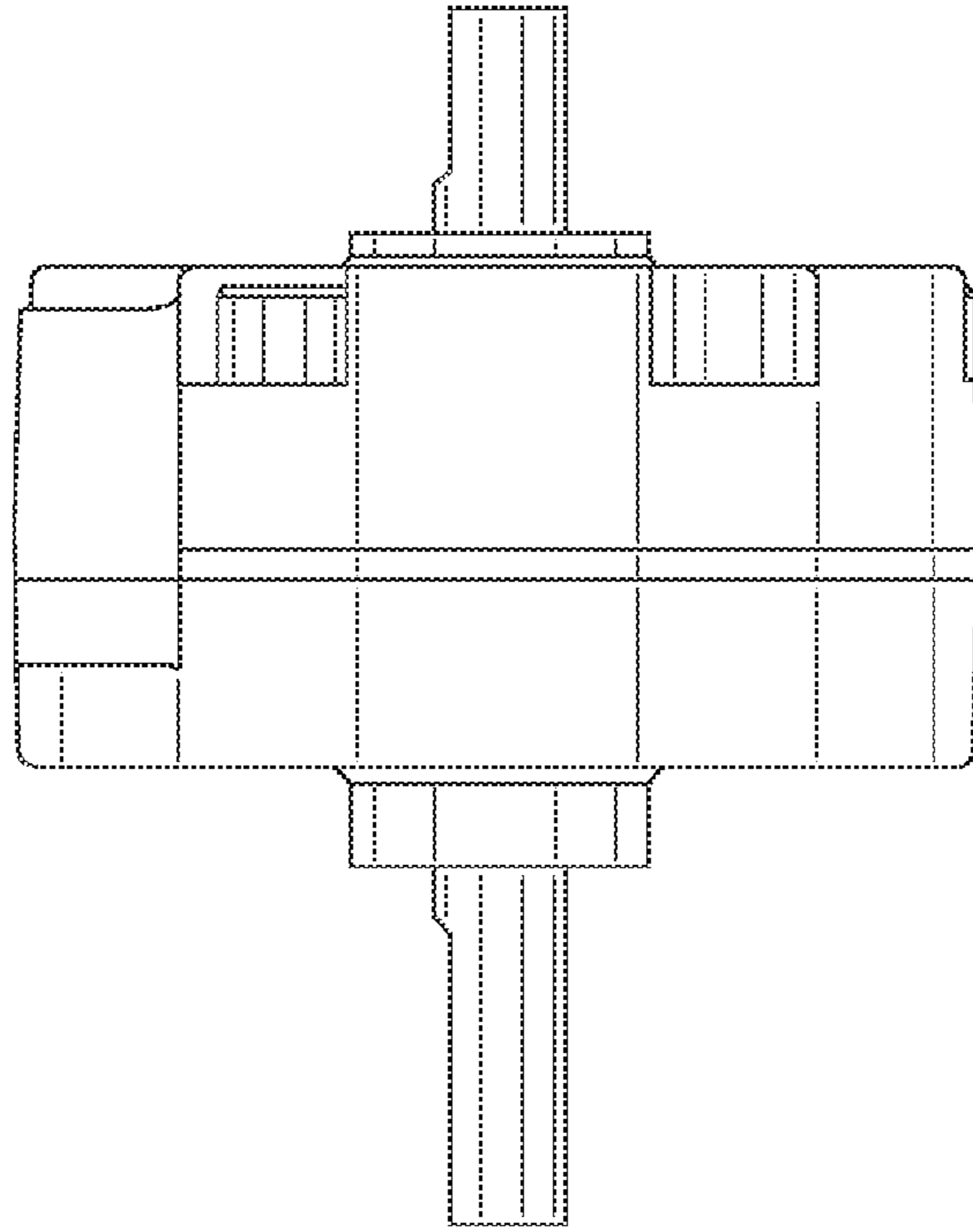


FIG. 4

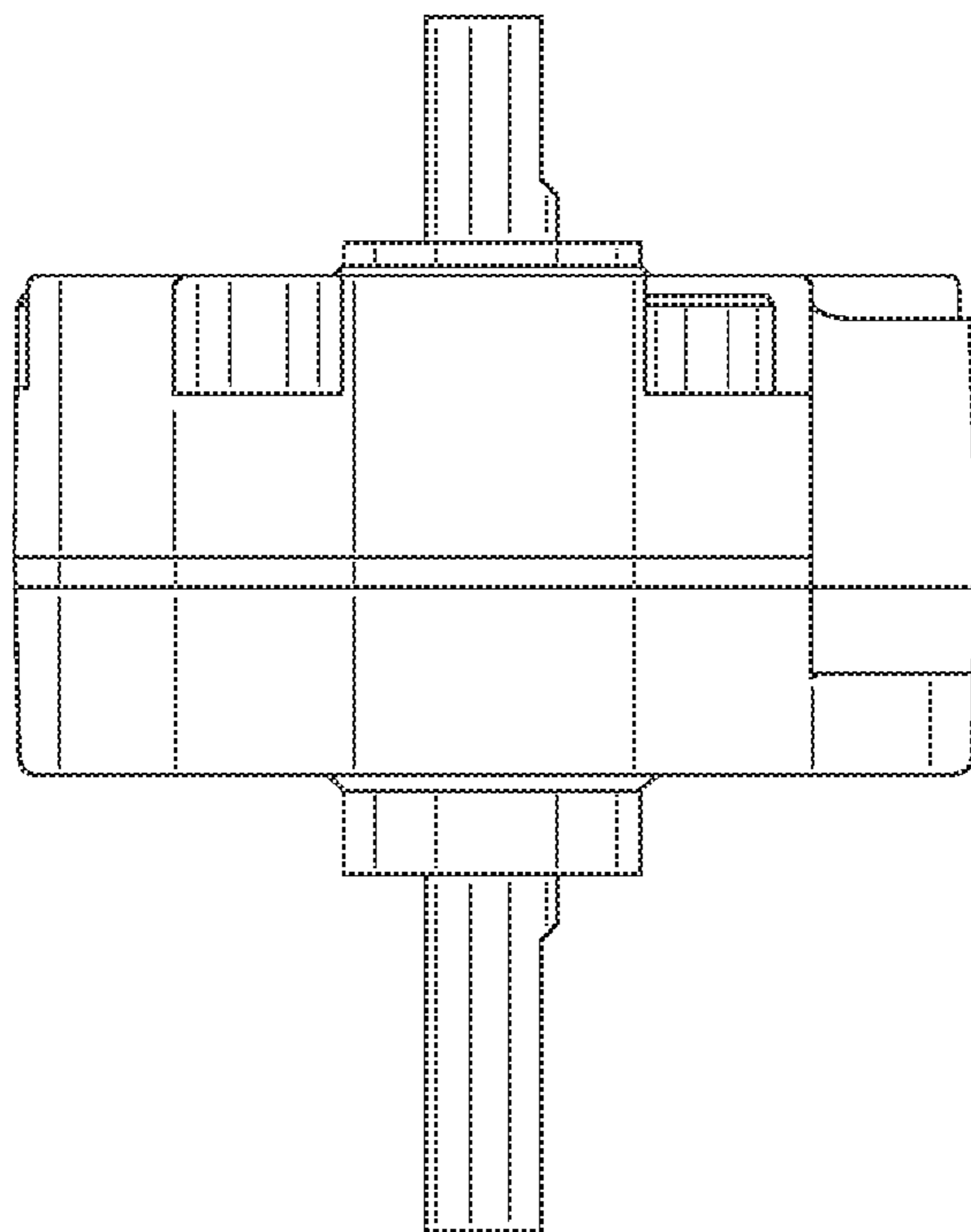


FIG. 5

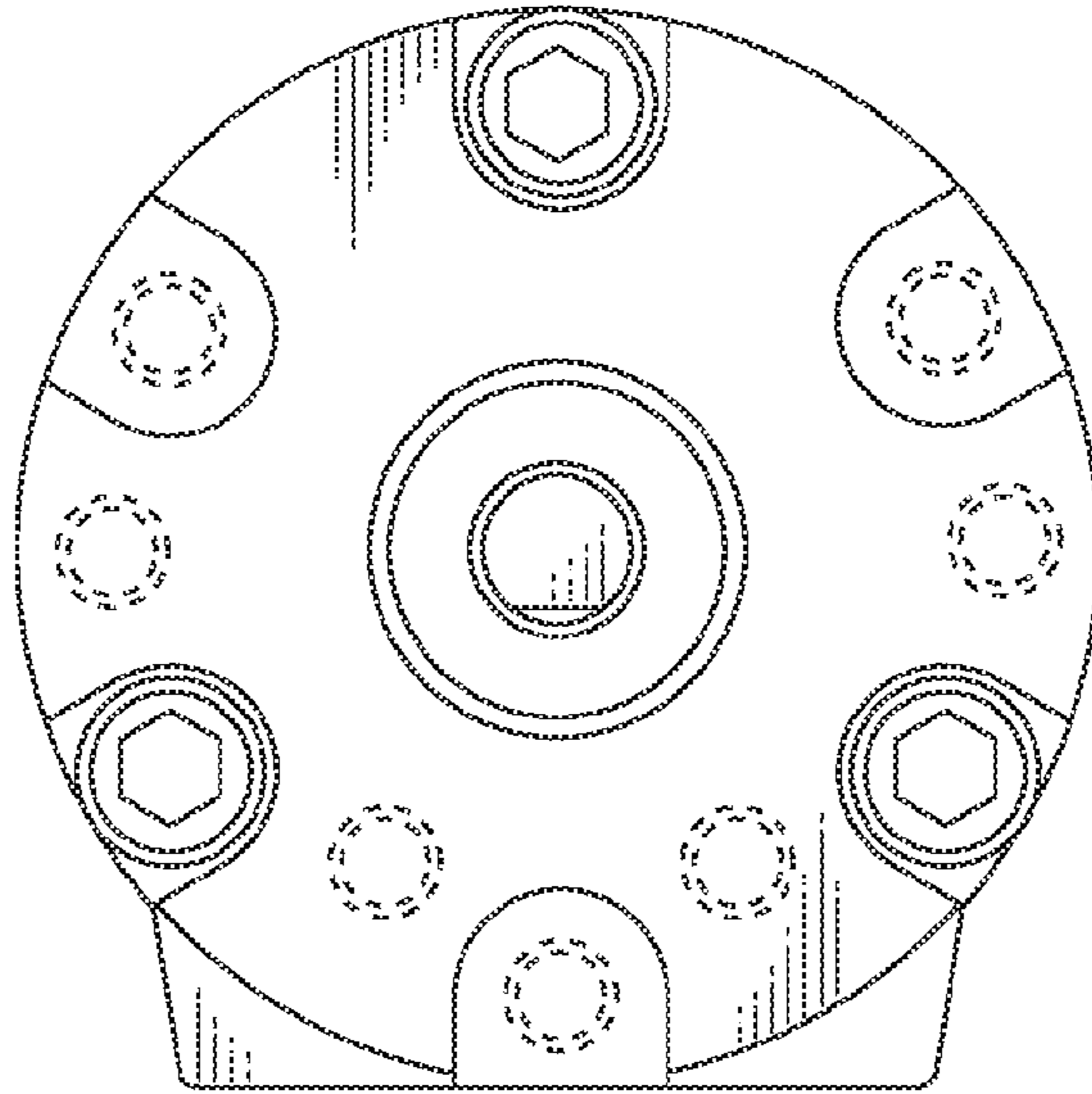


FIG. 6

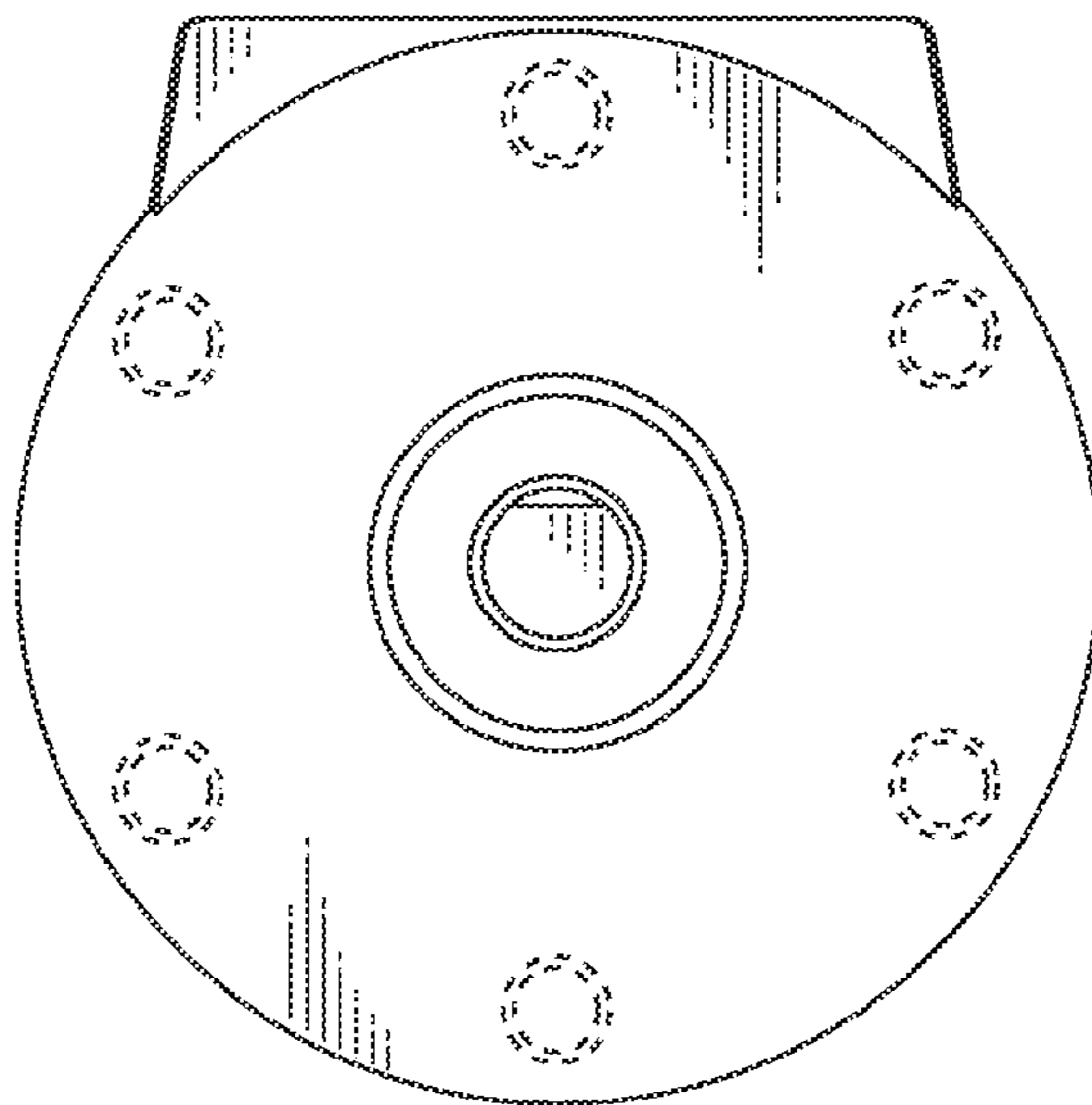


FIG. 7

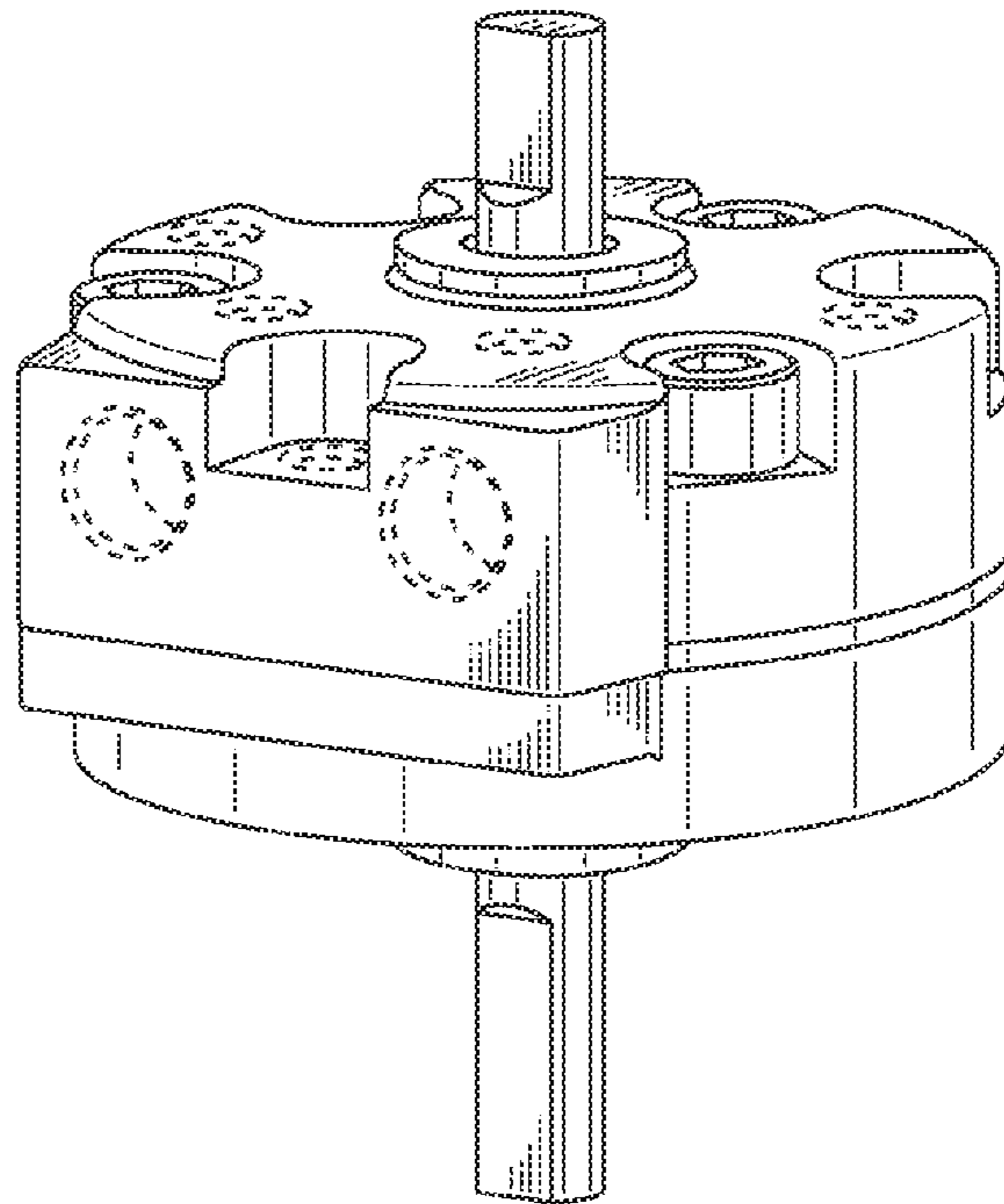


FIG. 8

