



US00D639320S

(12) **United States Design Patent**  
**Frejd**

(10) **Patent No.:** **US D639,320 S**

(45) **Date of Patent:** **\*\* Jun. 7, 2011**

(54) **DRILLING TOOL TIP**

(75) Inventor: **Stefan Frejd**, Söderköping (SE)

(73) Assignee: **Seco Tools AB**, Fagersta (SE)

(\*\*) Term: **14 Years**

(21) Appl. No.: **29/379,786**

(22) Filed: **Nov. 24, 2010**

(30) **Foreign Application Priority Data**

Jun. 2, 2010 (EM) ..... 001217699-0001

(51) **LOC (9) Cl.** ..... **15-09**

(52) **U.S. Cl.** ..... **D15/139**

(58) **Field of Classification Search** ..... D8/70;  
D15/138, 139, 140; 83/845; 403/331, 381;  
407/9, 33, 34, 42, 54, 63, 110, 113, 114,  
407/115; 408/224, 226-230

See application file for complete search history.

(56) **References Cited**

**U.S. PATENT DOCUMENTS**

7,070,010 B2 \* 7/2006 Papousek ..... 175/415  
D590,851 S \* 4/2009 Frejd ..... D15/139  
D602,965 S \* 10/2009 Frejd ..... D15/139

2004/0134688 A1 \* 7/2004 Papousek ..... 175/415  
2006/0029477 A1 \* 2/2006 Anjanappa et al. .... 408/230  
2006/0032676 A1 \* 2/2006 Papousek ..... 175/415  
2008/0166196 A1 \* 7/2008 Zhu ..... 408/230

\* cited by examiner

*Primary Examiner* — Patricia Palasik

(74) *Attorney, Agent, or Firm* — WRB-IP LLP

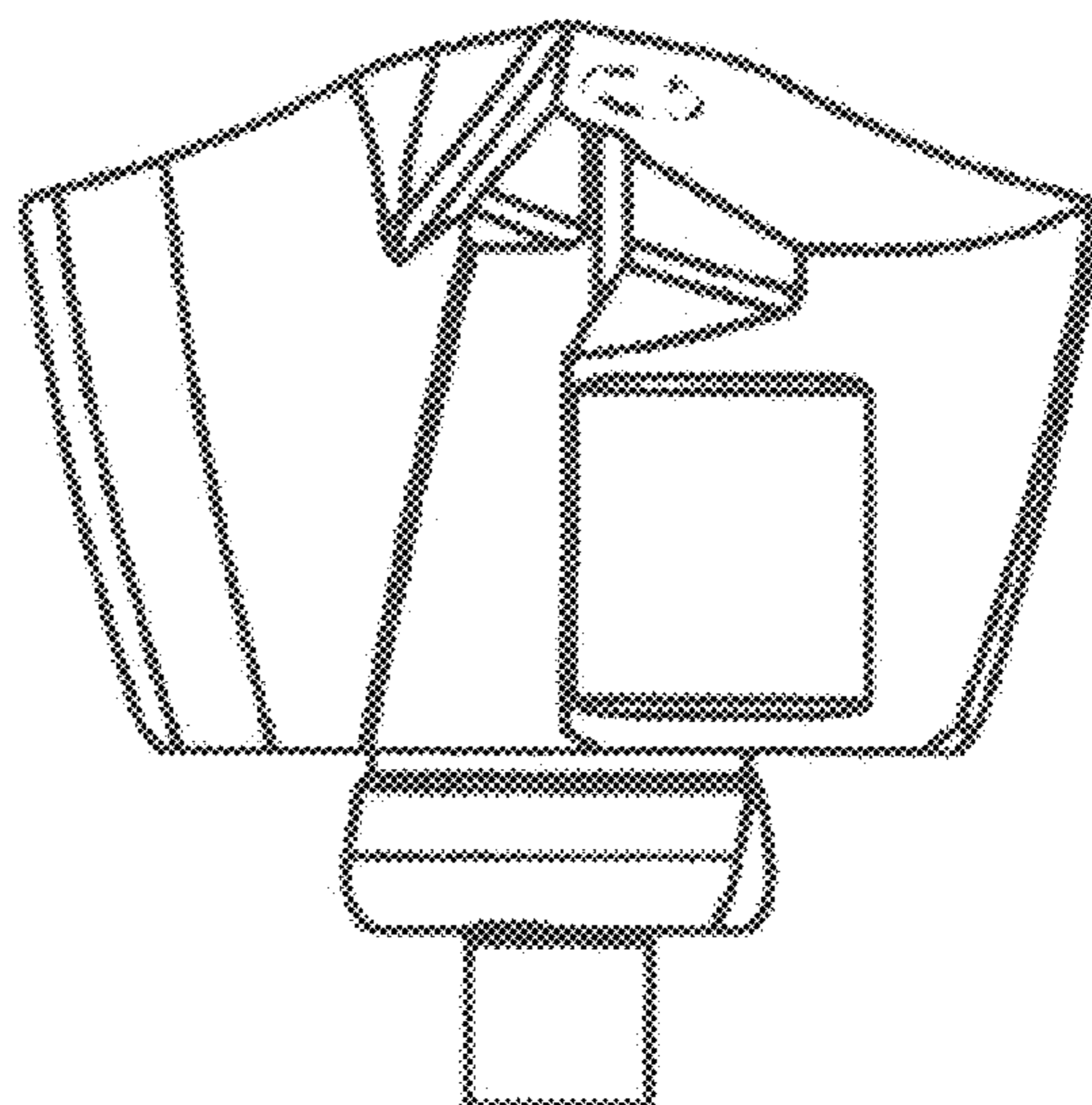
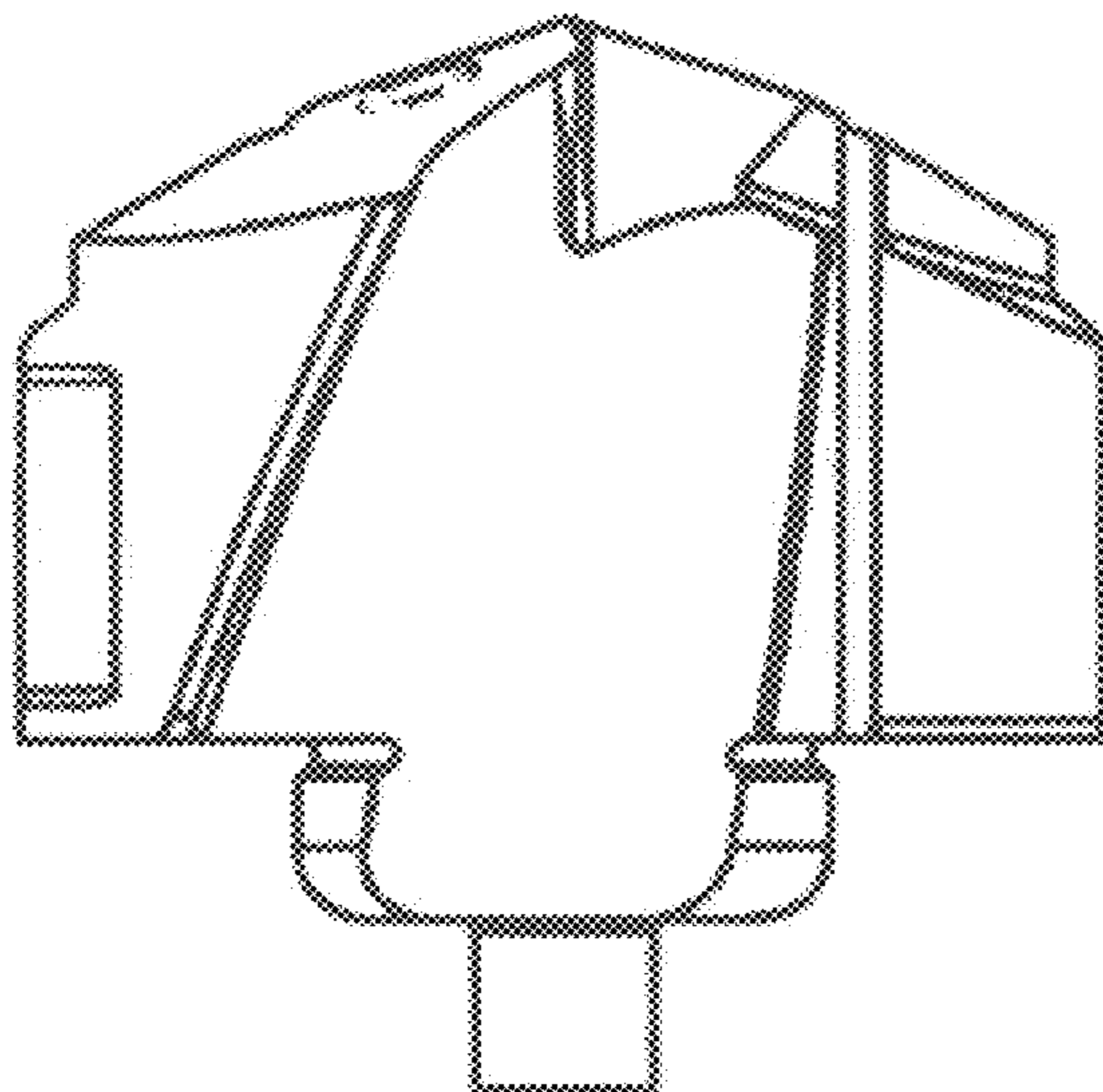
(57) **CLAIM**

The ornamental design for a drilling tool tip, as shown and described.

**DESCRIPTION**

FIG. 1 is a front view of a drilling tool tip;  
FIG. 2 is a right hand side view of the drilling tool tip of FIG. 1 turned 90° about its axis,  
FIG. 3 is a left hand side view of the drilling tool tip,  
FIG. 4 is a rear view of the drilling tool tip,  
FIG. 5 is a bottom view of the drilling tool tip; and,  
FIG. 6 is a top view of the drilling tool tip.  
FIG. 7 is a bottom, perspective view of the drilling tool tip; and,  
FIG. 8 is a top, perspective view of the drilling tool tip.  
Broken lines shown in the drawings are for illustrative purposes only and form no part of the claimed design.

**1 Claim, 1 Drawing Sheet**



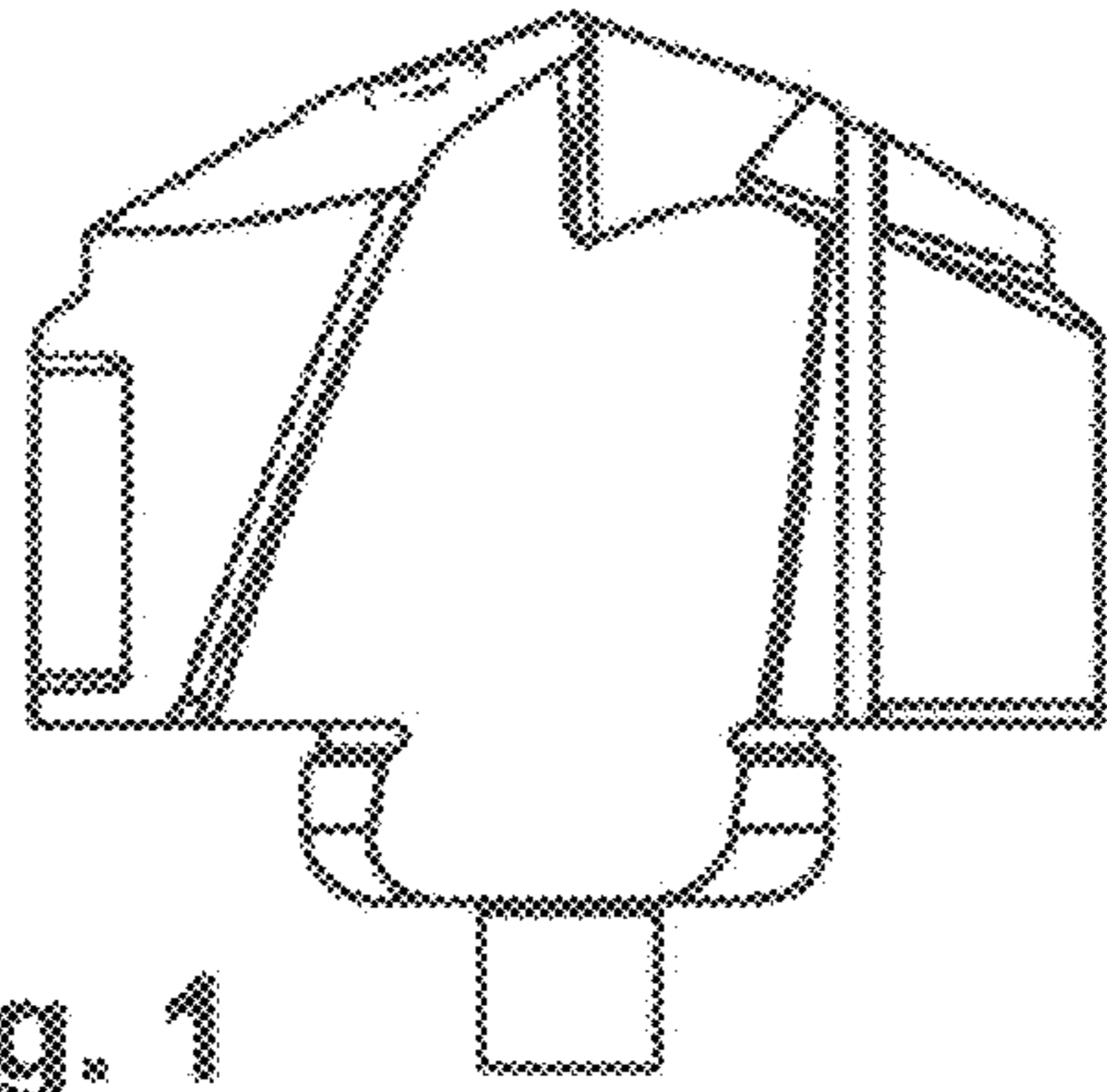


Fig. 1

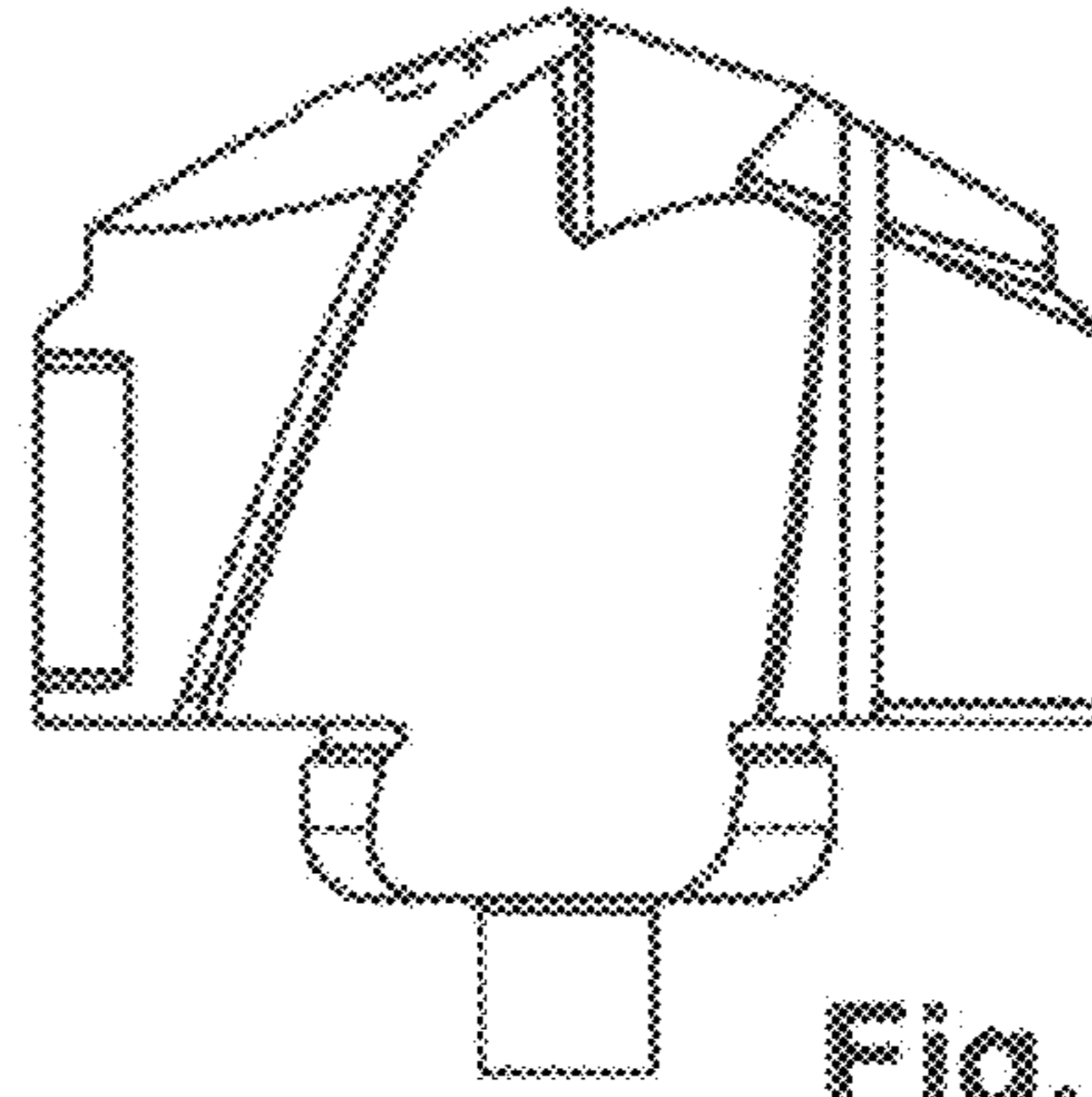


Fig. 4

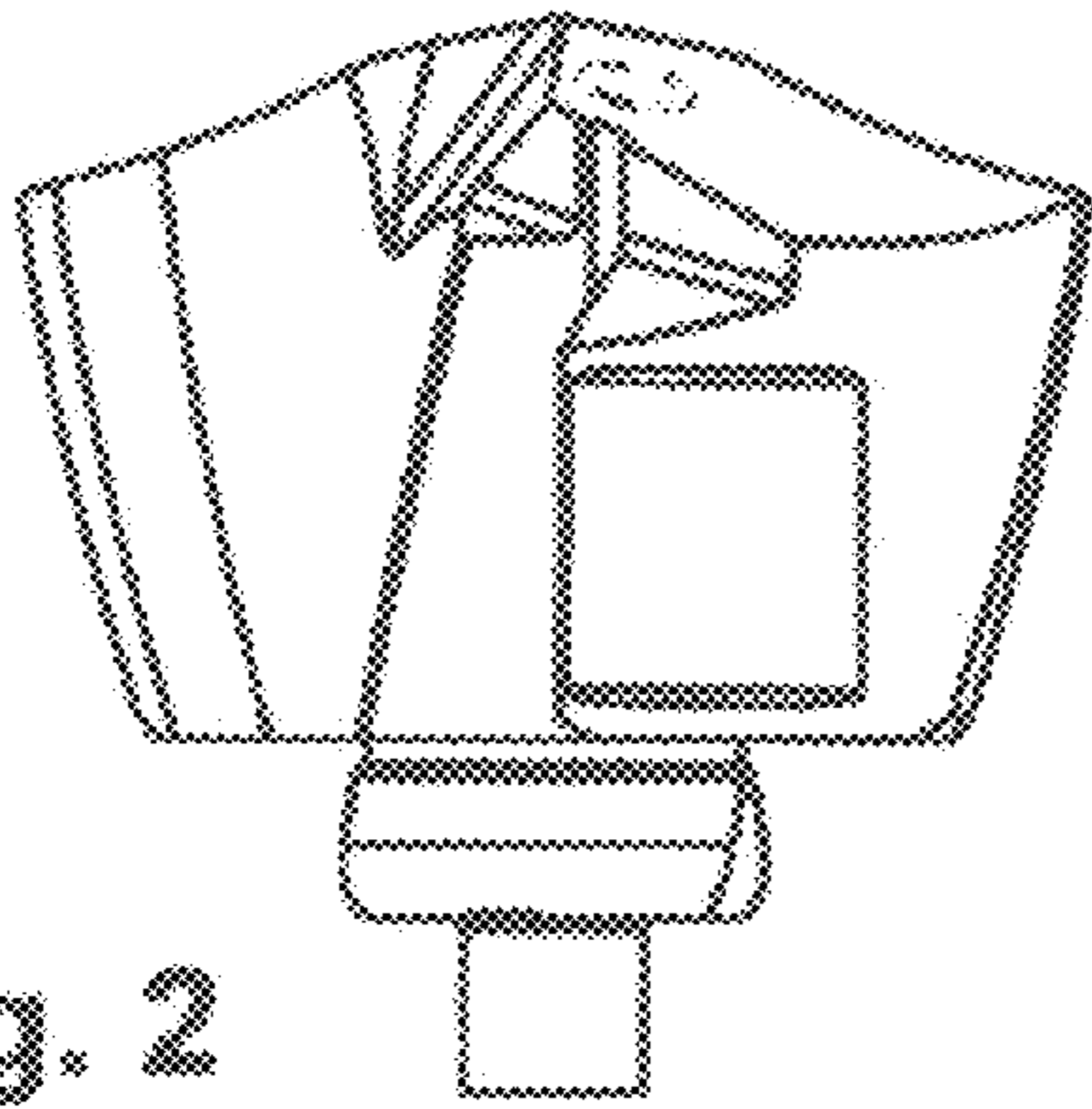


Fig. 2

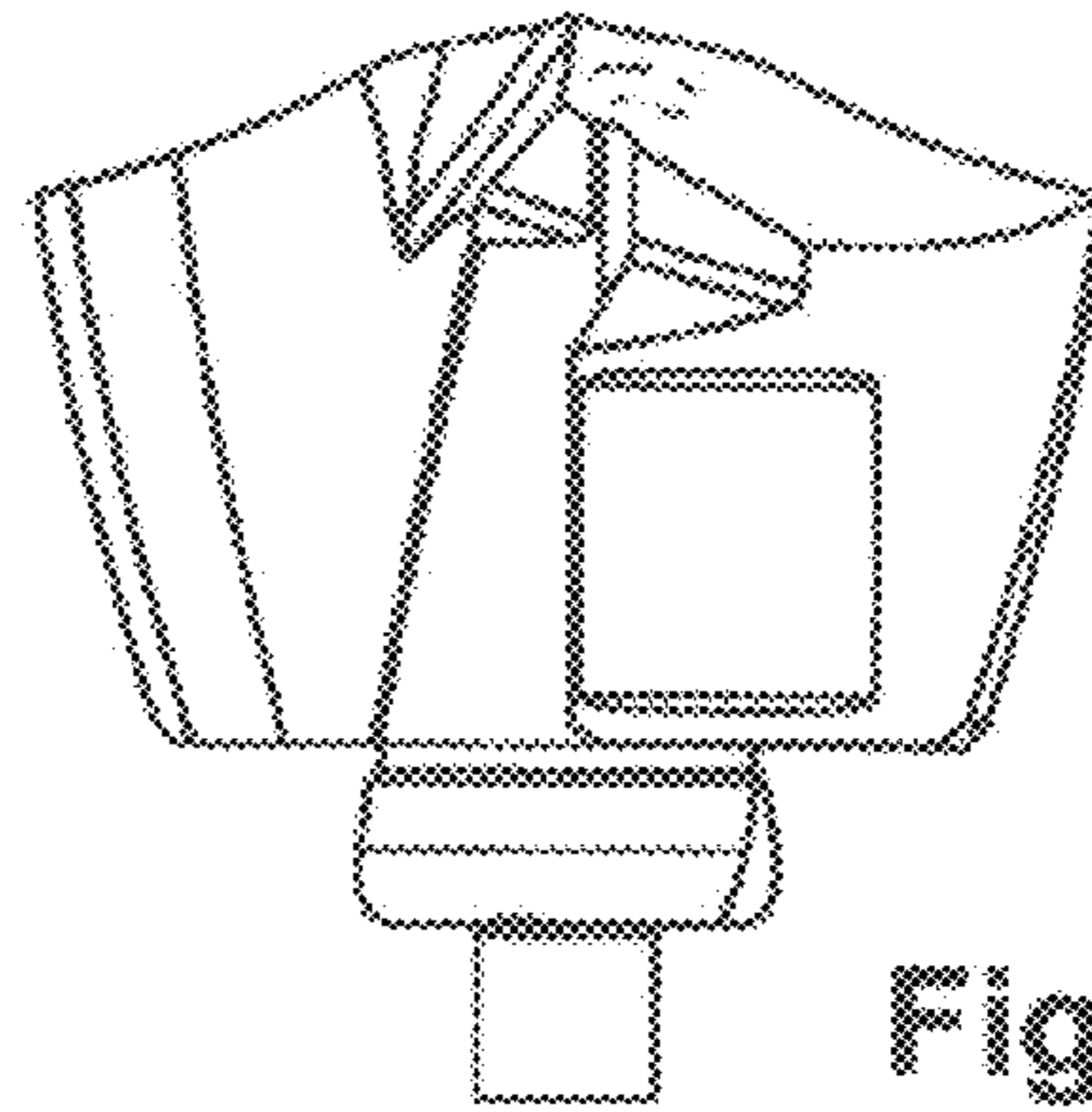


Fig. 3

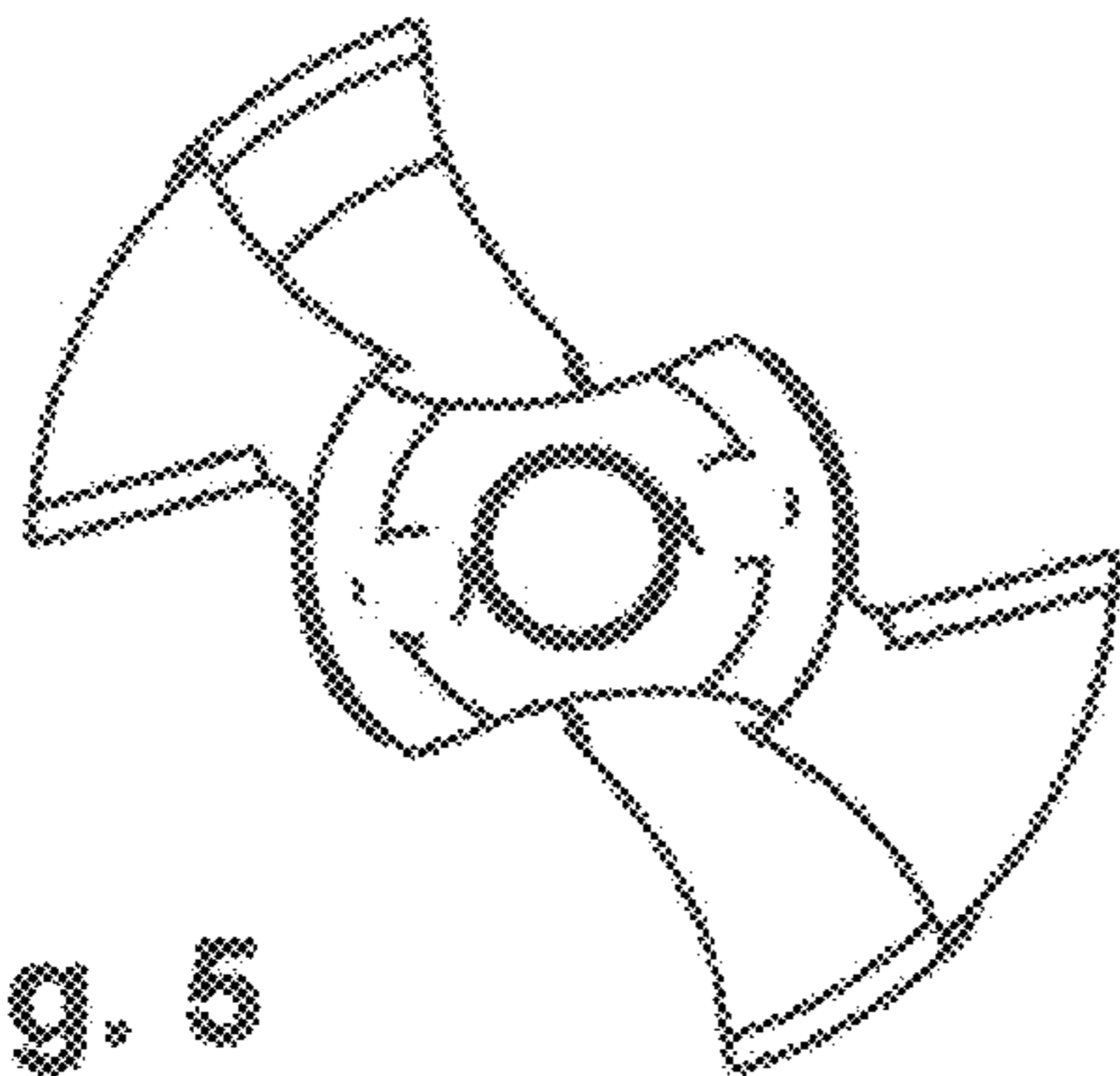


Fig. 5

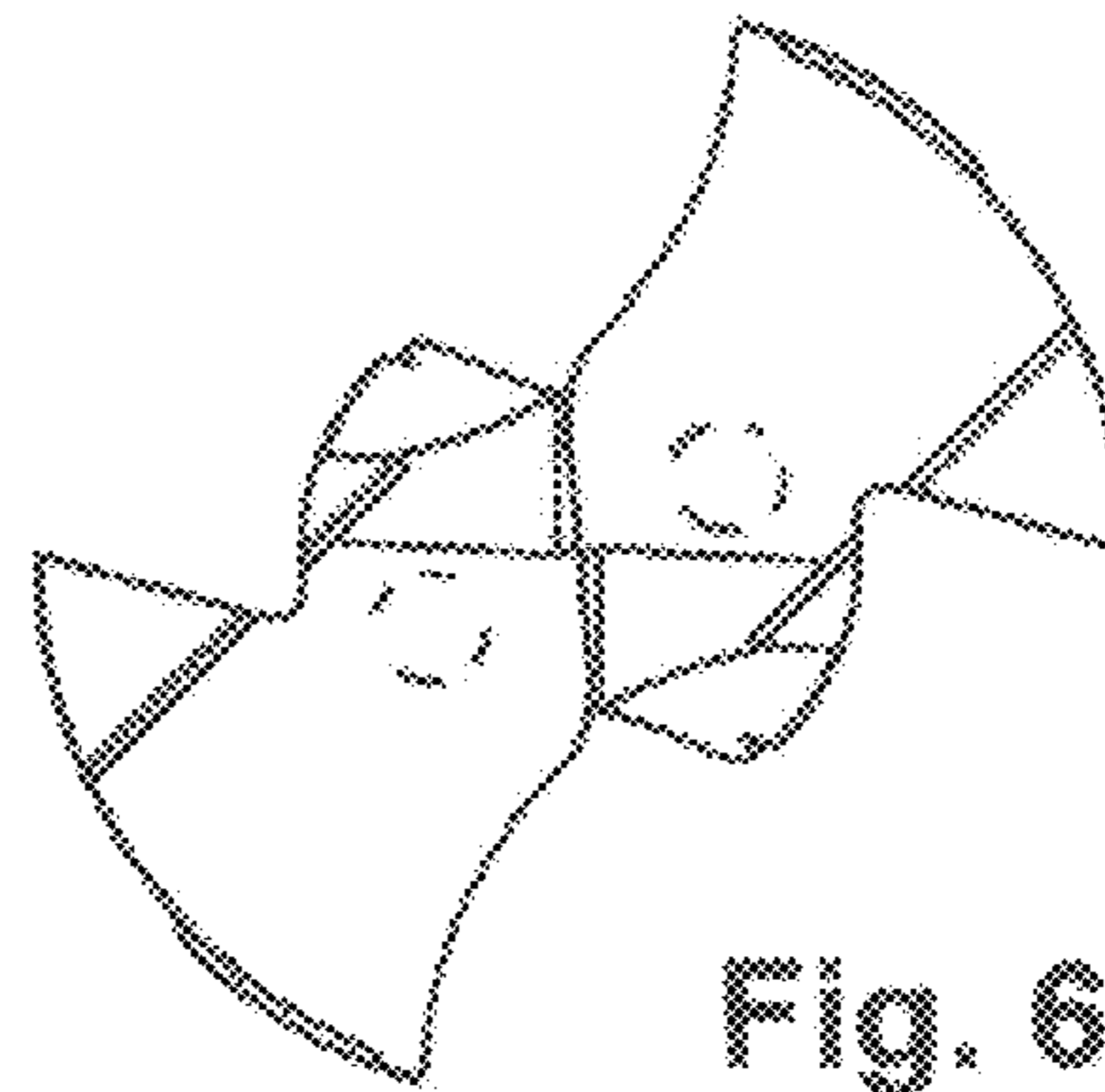


Fig. 6

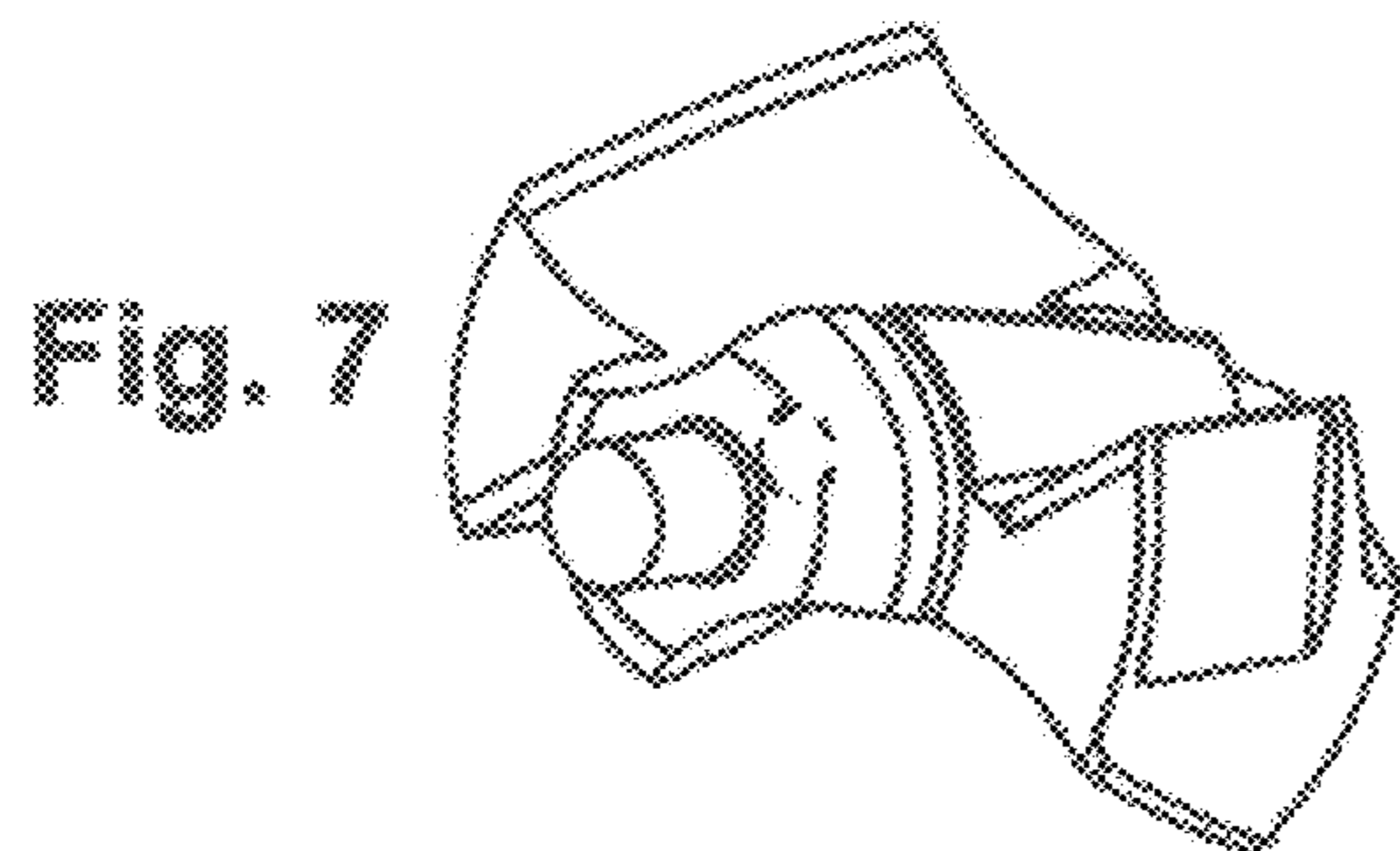


Fig. 7

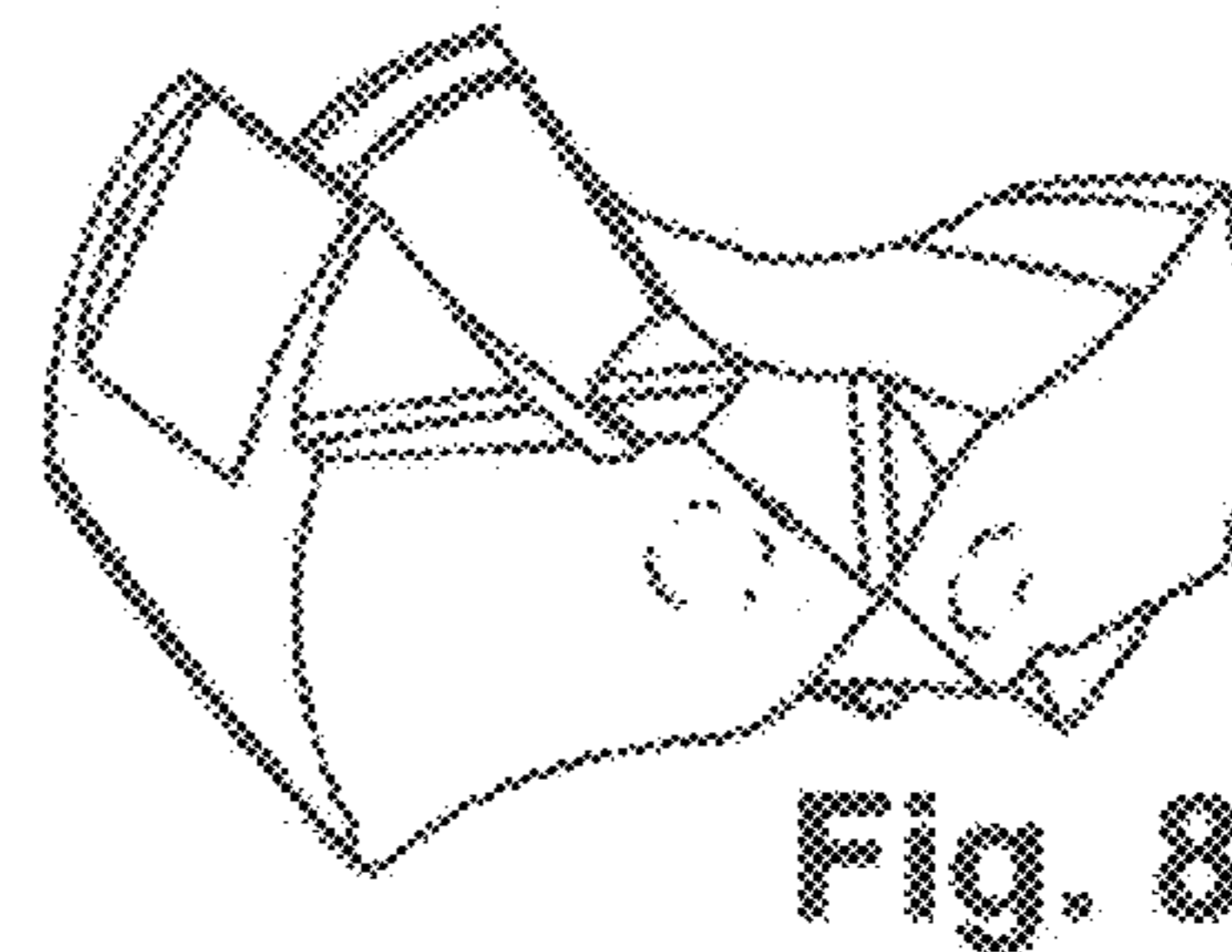


Fig. 8