



US00D639319S

(12) **United States Design Patent**
Dale

(10) **Patent No.:** **US D639,319 S**
(45) **Date of Patent:** **** Jun. 7, 2011**

(54) **PORTABLE SAWMILL**

(76) Inventor: **Peter Dale**, Kilworthy (CA)

(**) Term: **14 Years**

(21) Appl. No.: **29/361,032**

(22) Filed: **May 4, 2010**

(30) **Foreign Application Priority Data**

Nov. 4, 2009 (CA) 132823

(51) **LOC (9) Cl.** **15-09**

(52) **U.S. Cl.** **D15/127**

(58) **Field of Classification Search** D15/127,
D15/133, 199; 83/36, 102.1, 112, 113, 120,
83/165, 364, 371, 404, 404.1, 425.2, 425.3,
83/425.4, 435.2, 435.24, 435.26, 435.27,
83/455, 461, 471.2, 471.3, 485, 486.1, 488,
83/489, 492, 495, 574, 578, 613, 651, 703,
83/707, 708, 713, 717, 719, 721, 743, 745,
83/745.9, 746.8, 794, 795, 796, 797, 798,
83/799, 800, 813, 878, 928; 144/1.1, 2.1,
144/3.1, 39, 340, 357, 376, 378, 410, 420;
198/519, 568, 632; 241/605

See application file for complete search history.

(56) **References Cited**

U.S. PATENT DOCUMENTS

3,747,455 A * 7/1973 Hartzell et al. 83/403.1
3,913,439 A * 10/1975 Large 83/707
4,275,632 A * 6/1981 Ross 83/794
4,559,858 A * 12/1985 Laskowski et al. 83/801

4,584,918 A * 4/1986 Stubbe et al. 83/471.3
5,784,941 A * 7/1998 Sanborn 83/794
5,819,626 A * 10/1998 Lucas 83/489
6,722,248 B1 * 4/2004 Johnston, Sr. 83/795
7,444,912 B2 * 11/2008 Fenton et al. 83/425.2
D617,354 S * 6/2010 Banjo et al. D15/127
2006/0117926 A1 * 6/2006 Dale et al. 83/485
2006/0179982 A1 * 8/2006 Fenton et al. 83/13
2007/0234869 A1 * 10/2007 Dale et al. 83/797
2010/0132839 A1 * 6/2010 Dale et al. 144/2.1
2010/0180985 A1 * 7/2010 Burton 144/2.1

* cited by examiner

Primary Examiner — Patricia Palasik

(74) *Attorney, Agent, or Firm* — Woodcock Washburn LLP

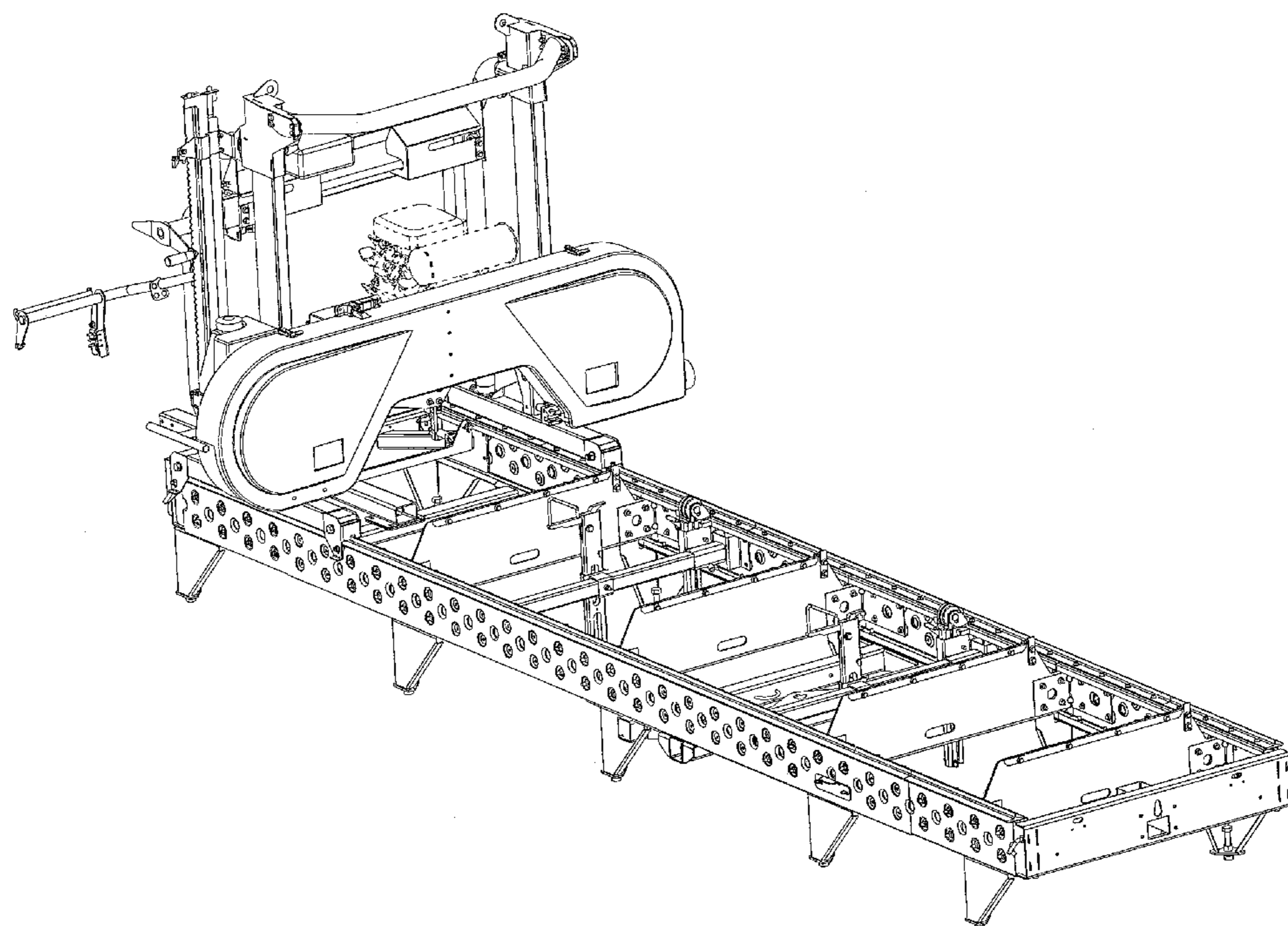
(57) **CLAIM**

I claim the ornamental design for a portable sawmill, as shown and described.

DESCRIPTION

FIG. 1 is front right perspective view of the portable sawmill showing my new design;
FIG. 2 is a rear right perspective view thereof;
FIG. 3 is a front left perspective view thereof;
FIG. 4 is a rear left perspective view thereof;
FIG. 5 is a top plan view thereof;
FIG. 6 is a front elevation view thereof;
FIG. 7 is a rear elevation view of my new design;
FIG. 8 is a right elevation view of my new design; and,
FIG. 9 is a left elevation view of my new design.
Parts of the design shown in broken lines in the figures are for illustrative purposes only and form no part of the claimed design.

1 Claim, 9 Drawing Sheets



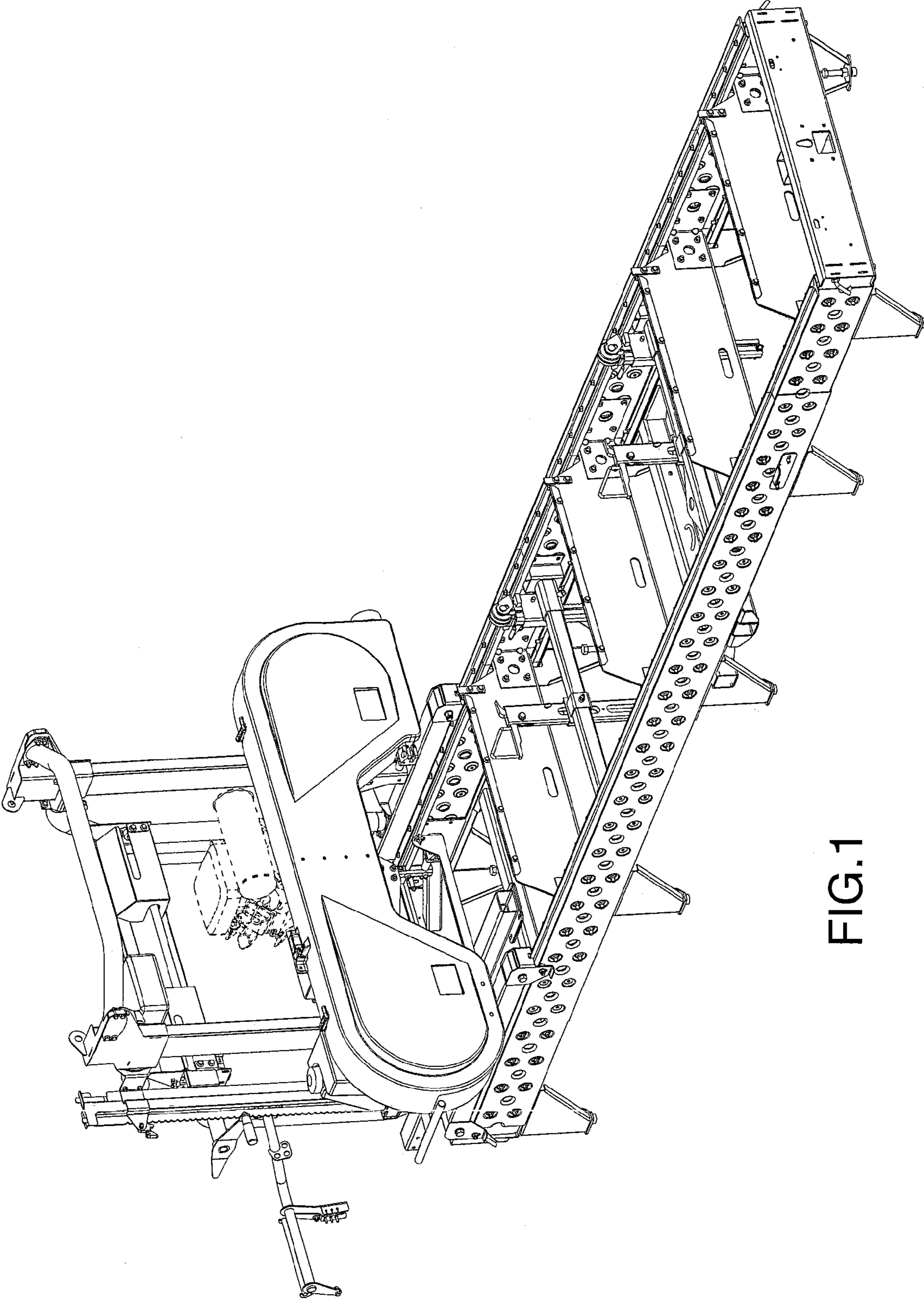


FIG.1

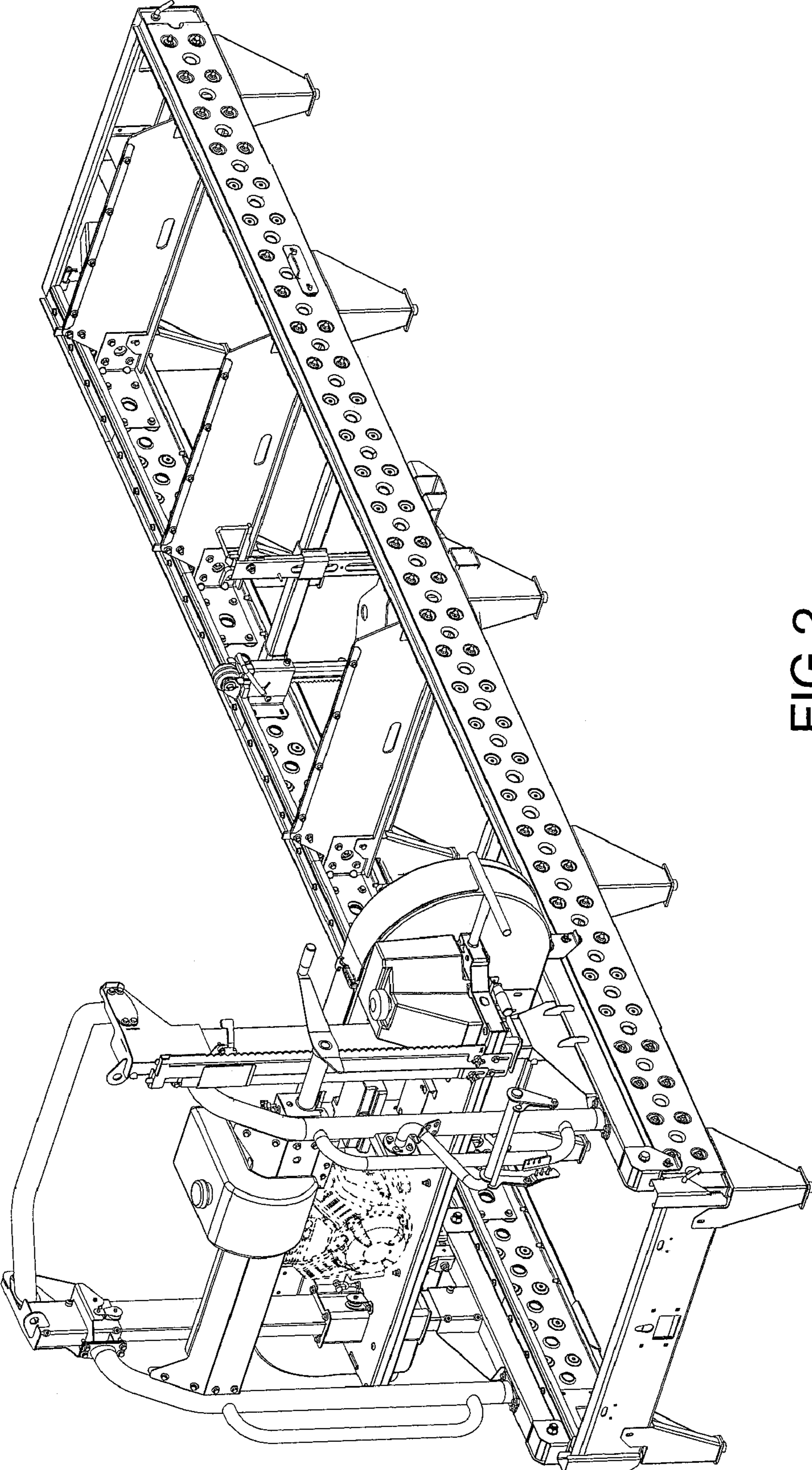


FIG.2

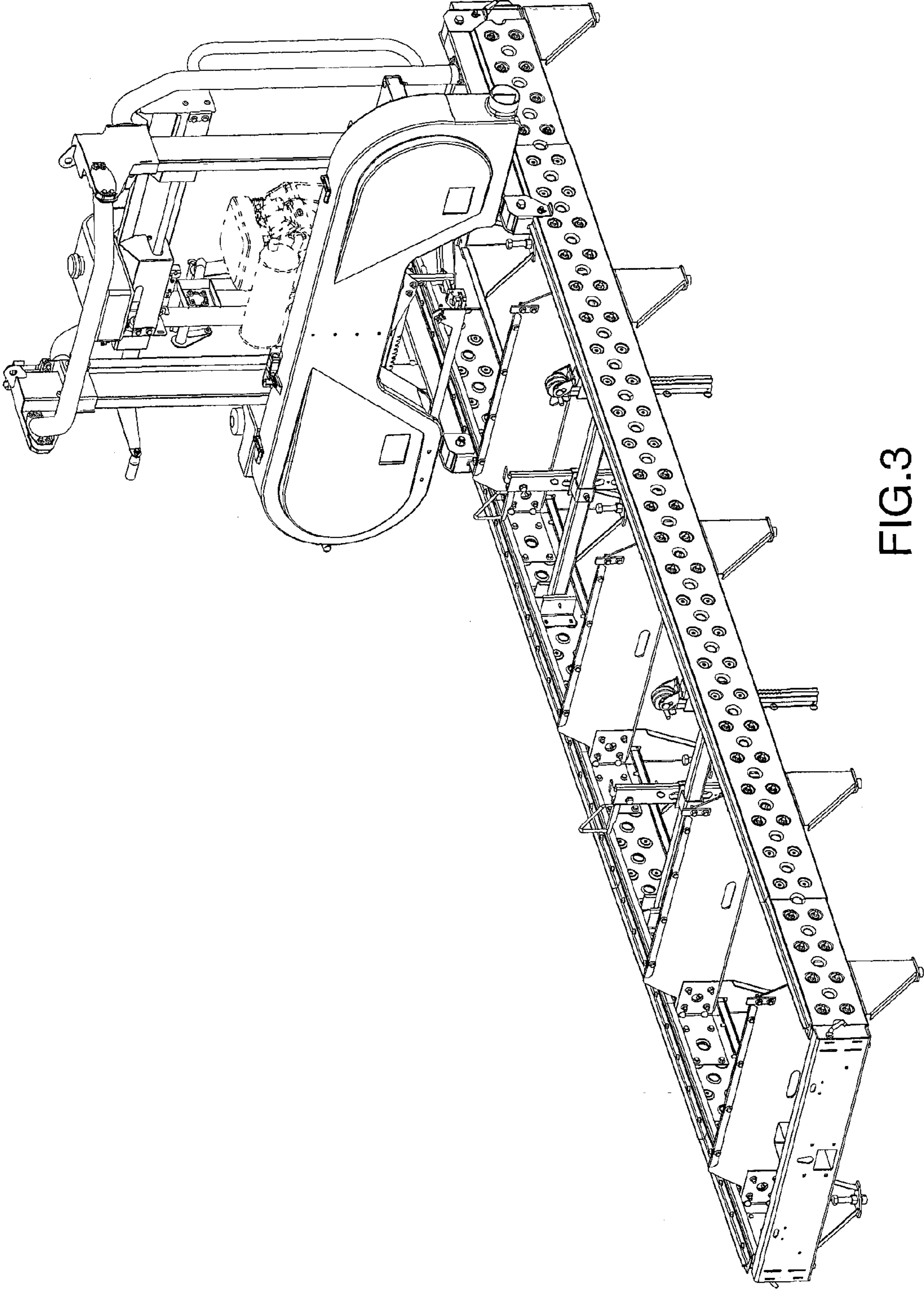


FIG.3

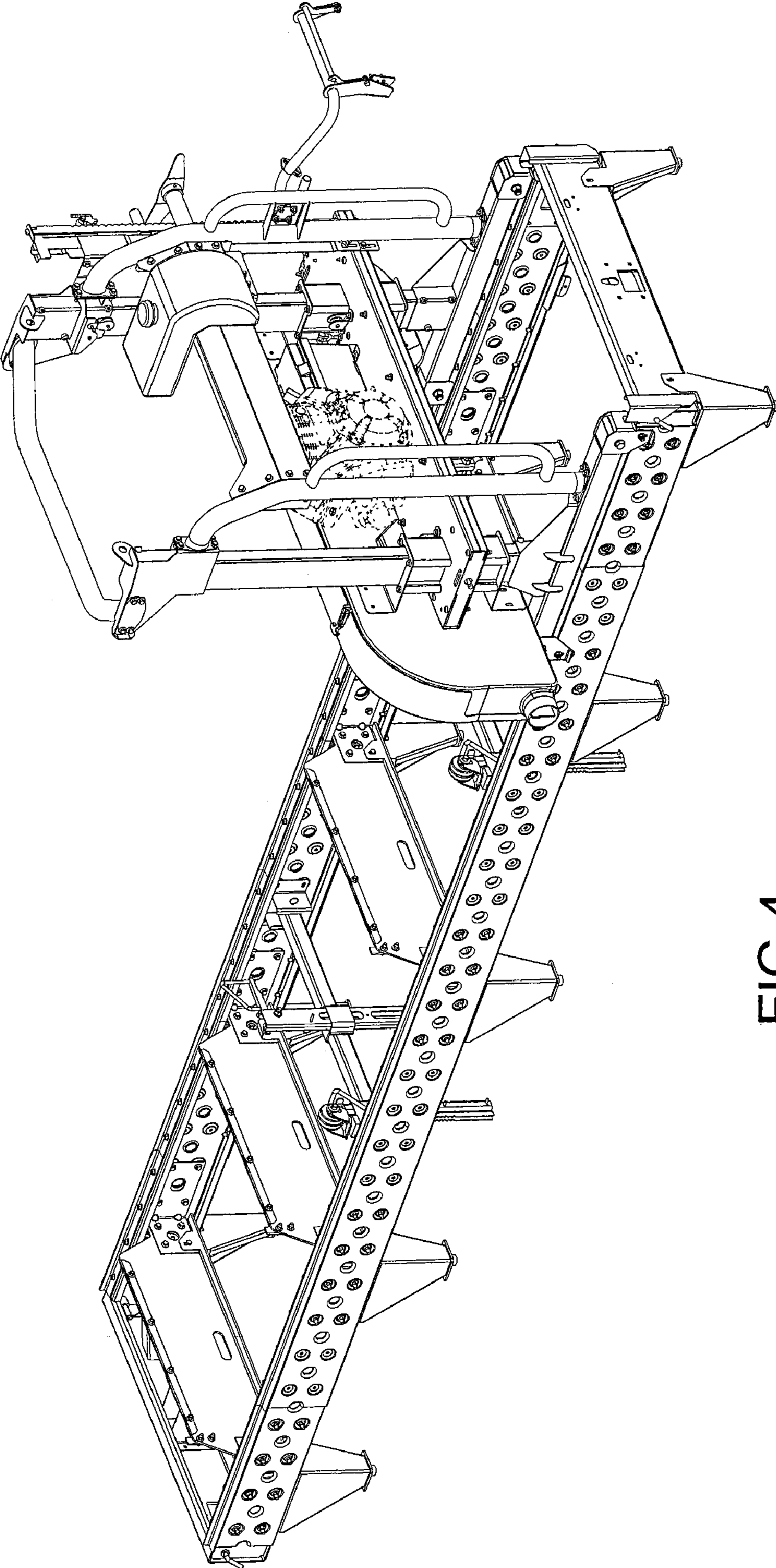


FIG.4

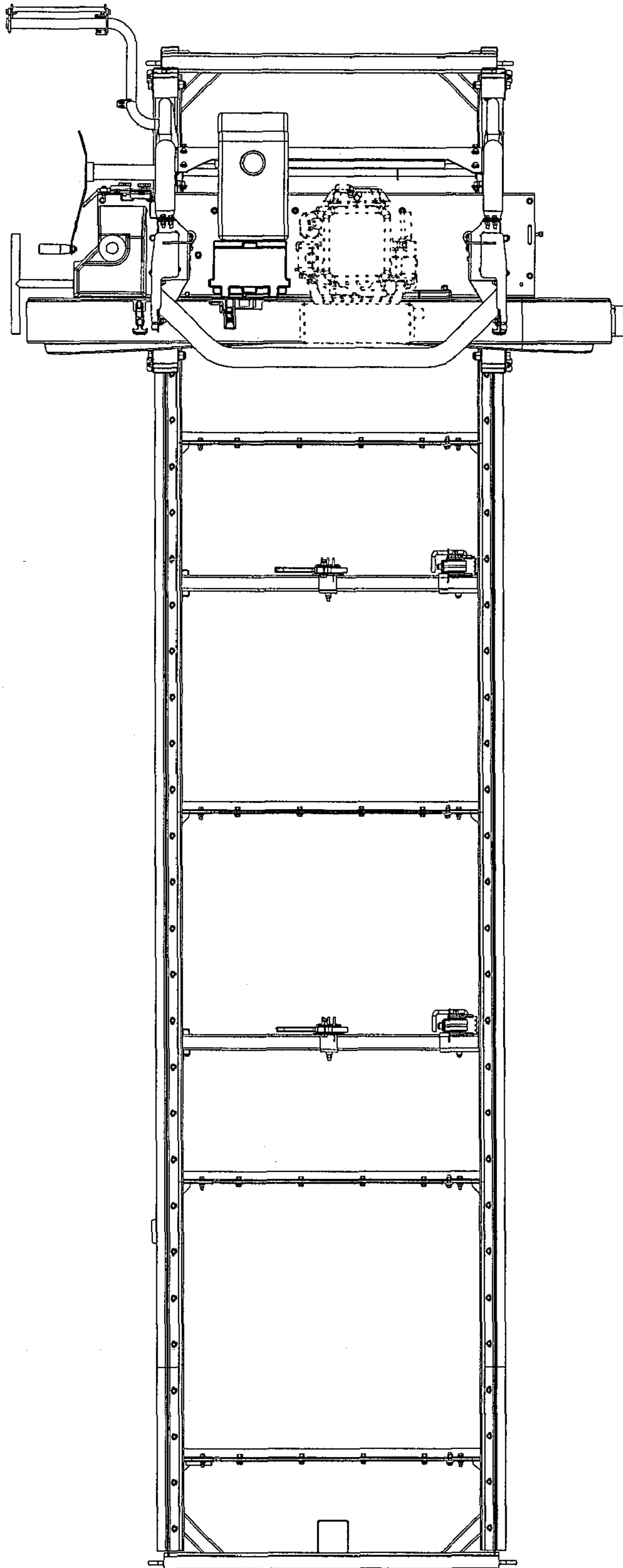


FIG.5

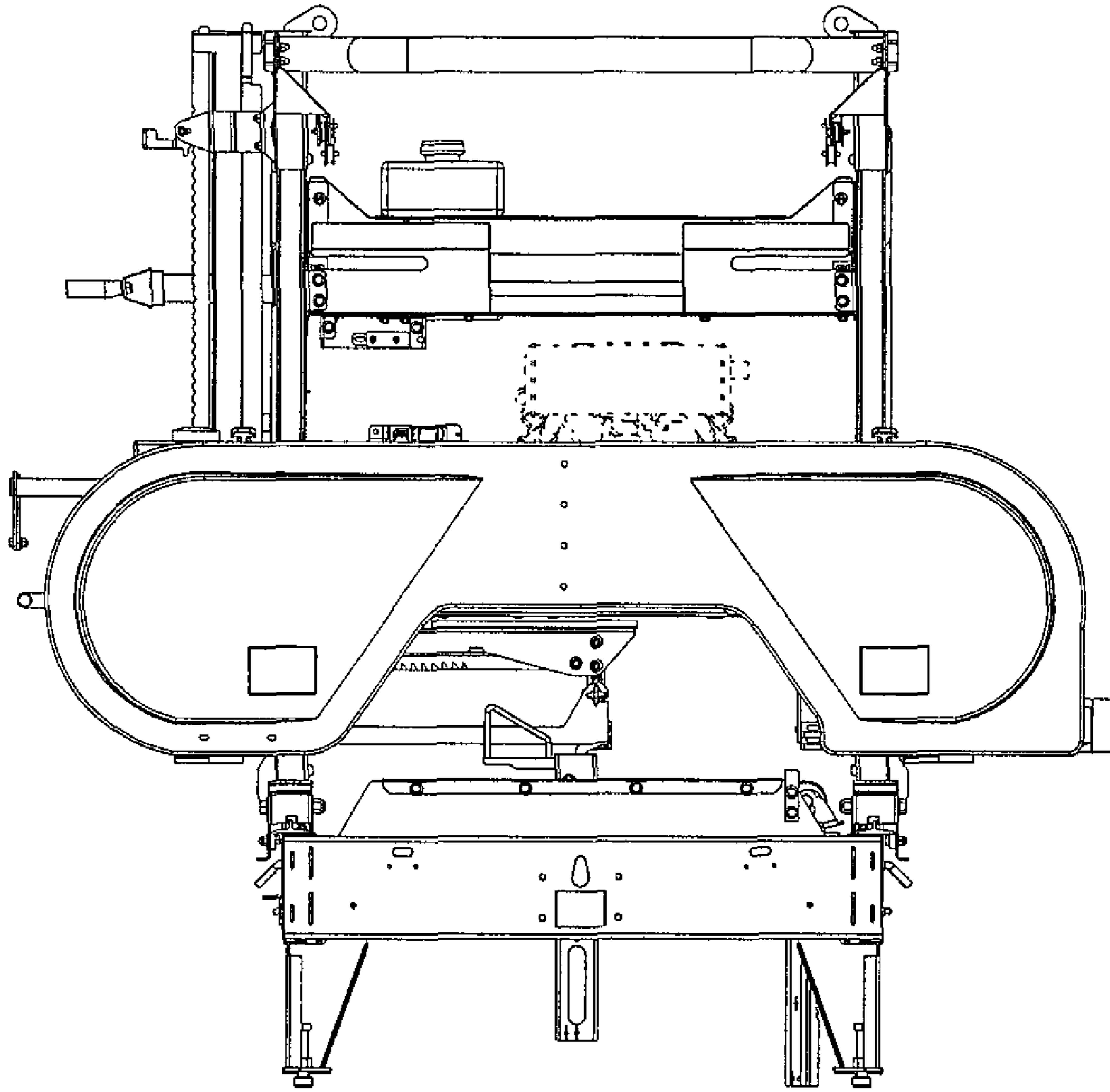


FIG. 6

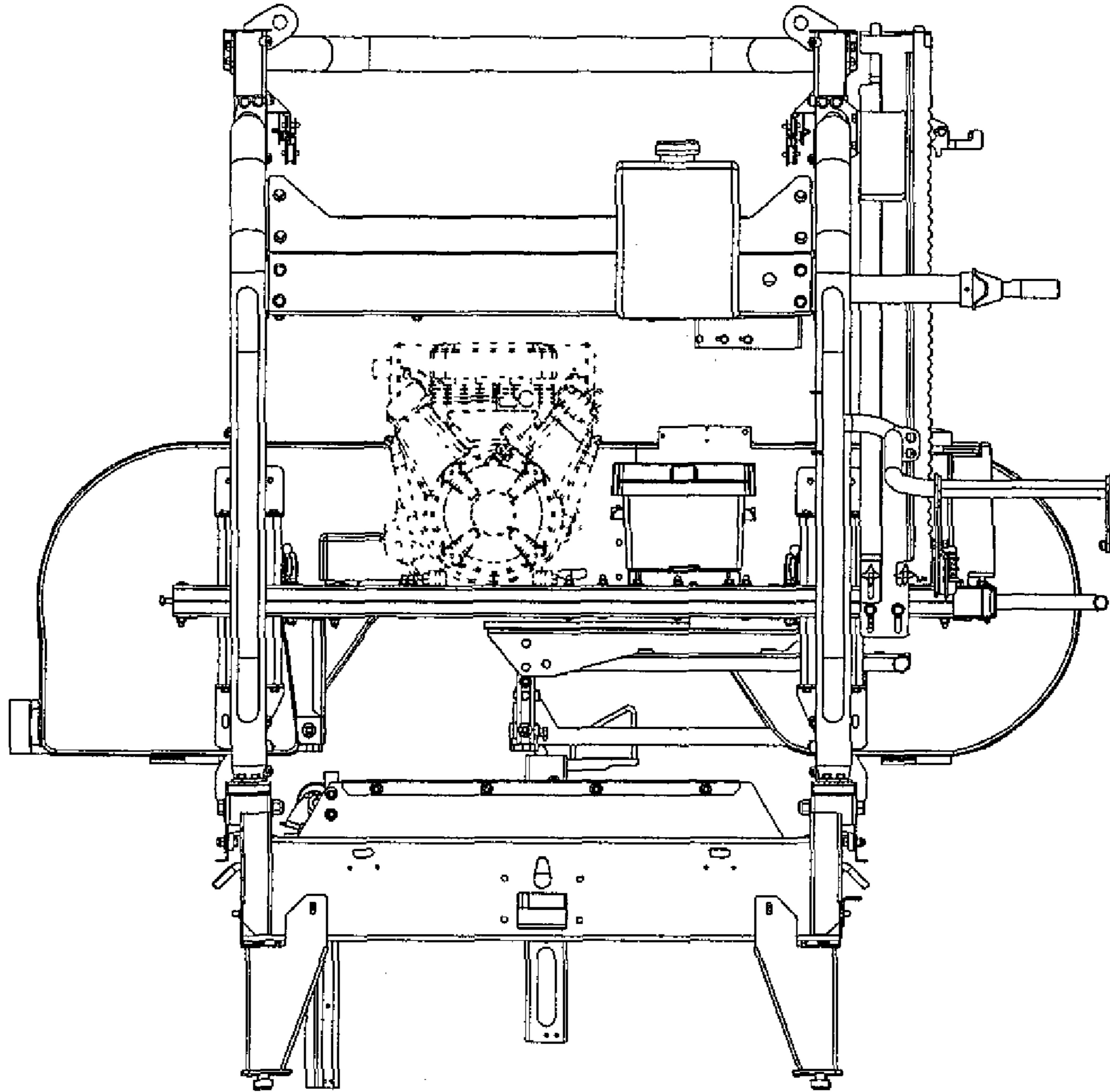


FIG. 7

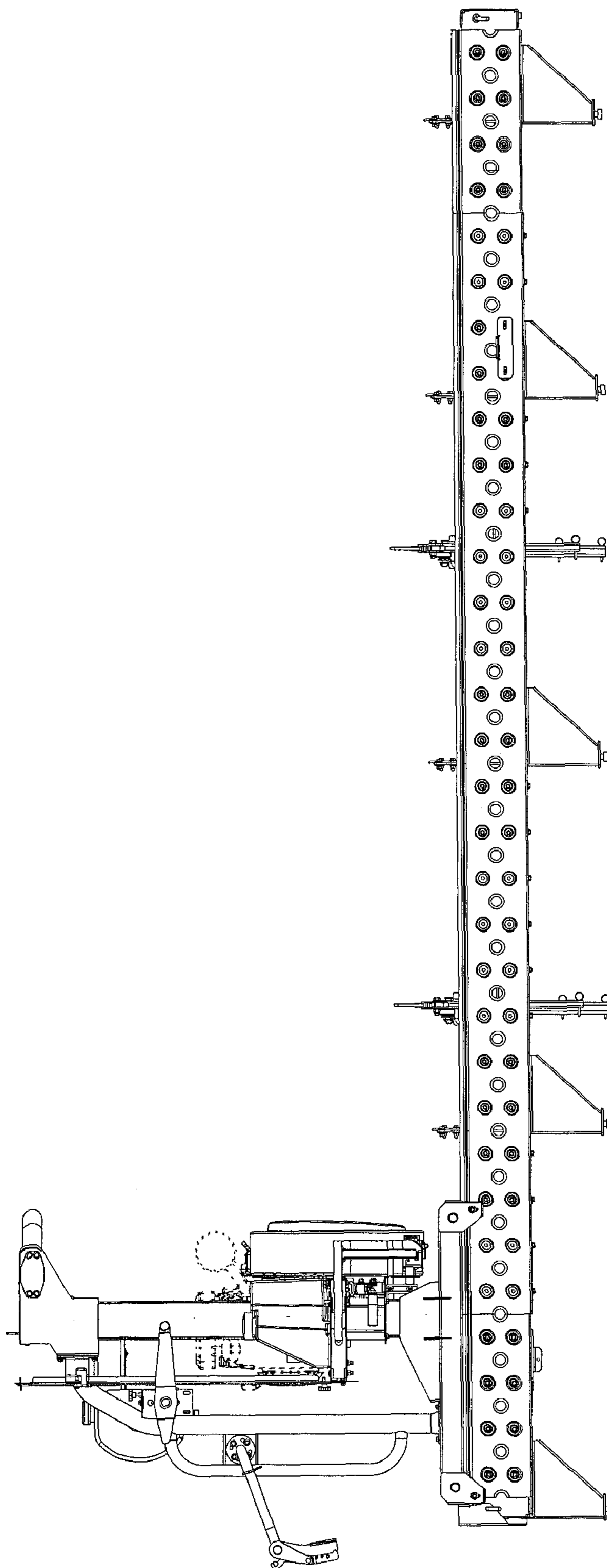


FIG.8

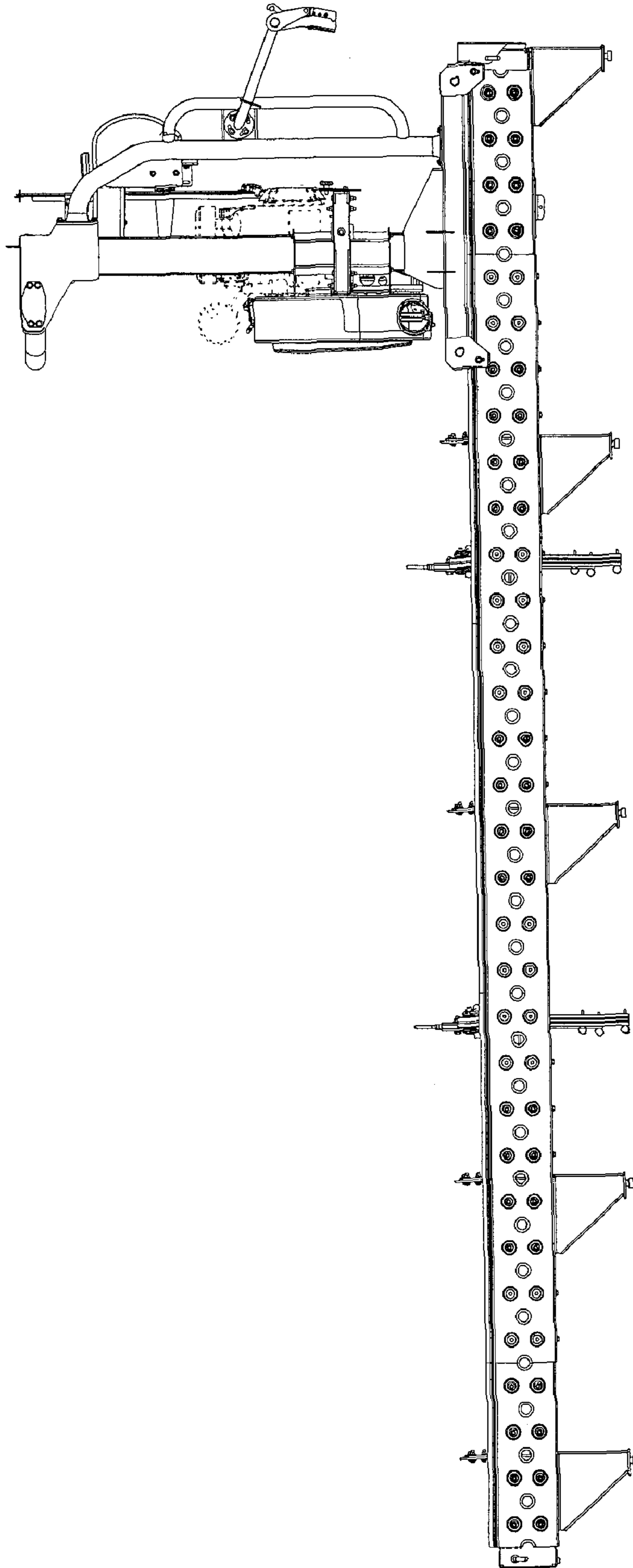


FIG.9