



US00D639317S

(12) **United States Design Patent**
Yang et al.

(10) **Patent No.:** **US D639,317 S**

(45) **Date of Patent:** **** Jun. 7, 2011**

(54) **REFRIGERATOR**

(75) Inventors: **Yun Ho Yang**, Seoul (KR); **Sang Woon Jeon**, Kyunggi-do (KR)

(73) Assignee: **Samsung Electronics Co., Ltd.**, Suwon-si (KR)

(**) Term: **14 Years**

(21) Appl. No.: **29/377,127**

(22) Filed: **Oct. 18, 2010**

(51) **LOC (9) Cl.** **15-07**

(52) **U.S. Cl.** **D15/86**

(58) **Field of Classification Search** D15/79,
D15/81, 85, 86, 87, 88; 62/3.6-3.64, 245-255;
312/116, 236, 400-408

See application file for complete search history.

(56) **References Cited**

U.S. PATENT DOCUMENTS

D508,925 S * 8/2005 Seok et al. D15/86
D508,926 S * 8/2005 Seok et al. D15/86

D557,292 S * 12/2007 Lee et al. D15/86
D570,884 S * 6/2008 Yang et al. D15/86
D614,208 S * 4/2010 Seo et al. D15/86
D632,314 S * 2/2011 Kristiansen et al. D15/86

* cited by examiner

Primary Examiner — Shanda C Hill

(74) *Attorney, Agent, or Firm* — Ladas & Parry LLP

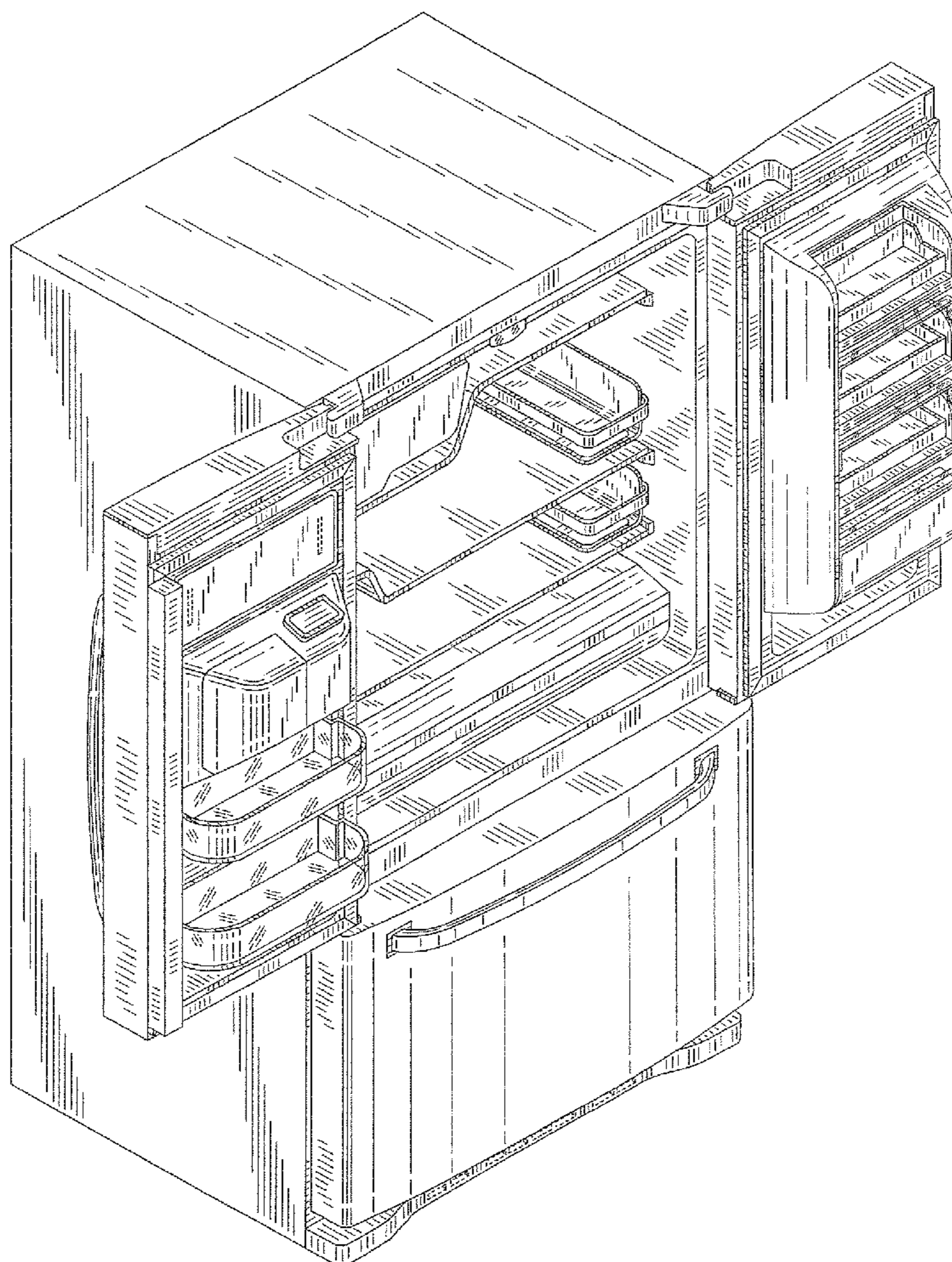
(57) **CLAIM**

The ornamental design for a refrigerator, as shown and described.

DESCRIPTION

FIG. 1 is a front/right-side/top perspective view of a refrigerator showing our new design;
FIG. 2 is a front-side elevational view thereof;
FIG. 3 is a rear-side elevational view thereof;
FIG. 4 is a left-side elevational view thereof;
FIG. 5 is a right-side elevational view thereof;
FIG. 6 is a top-side elevational view thereof; and,
FIG. 7 is a bottom-side elevational view thereof.

1 Claim, 6 Drawing Sheets



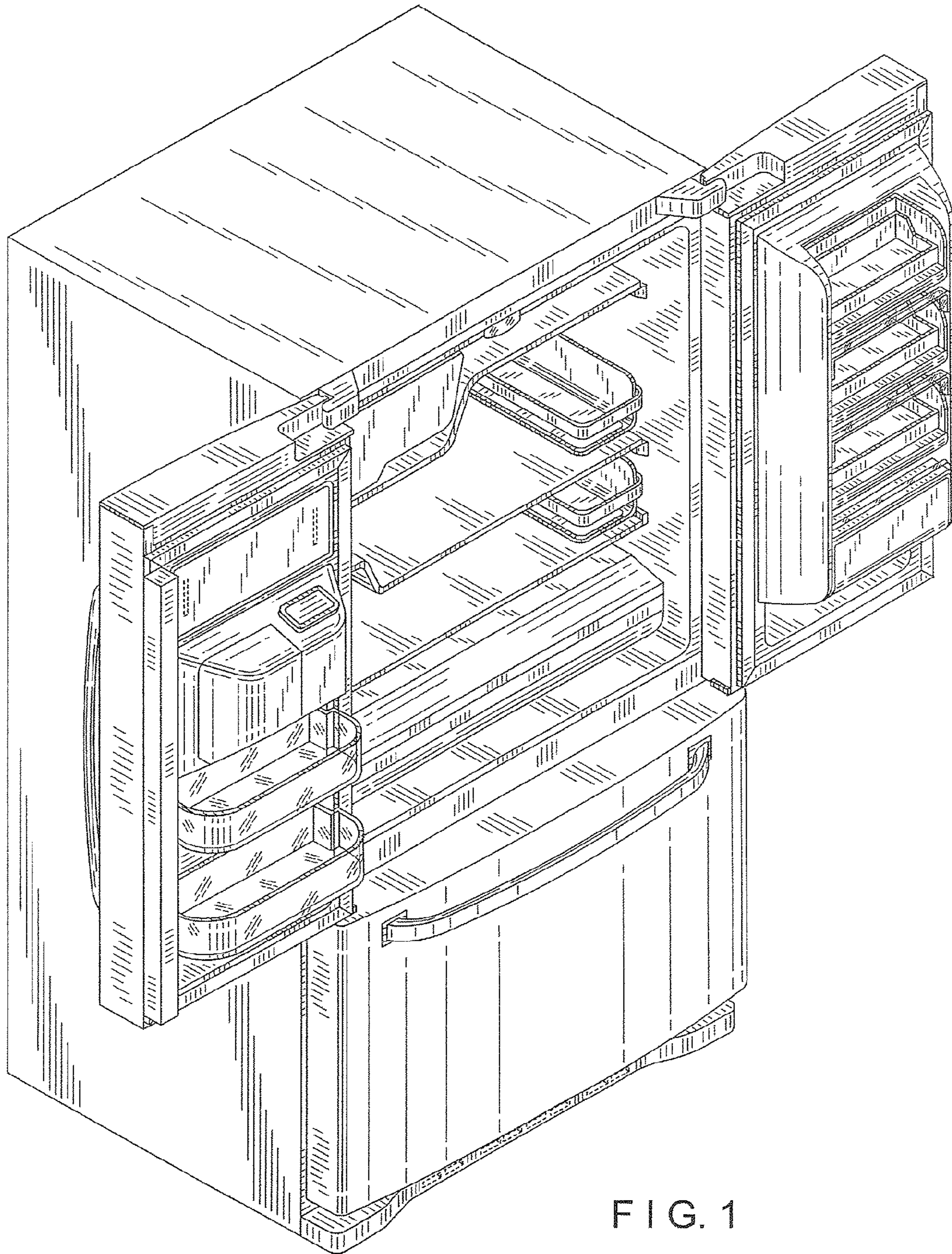


FIG. 1

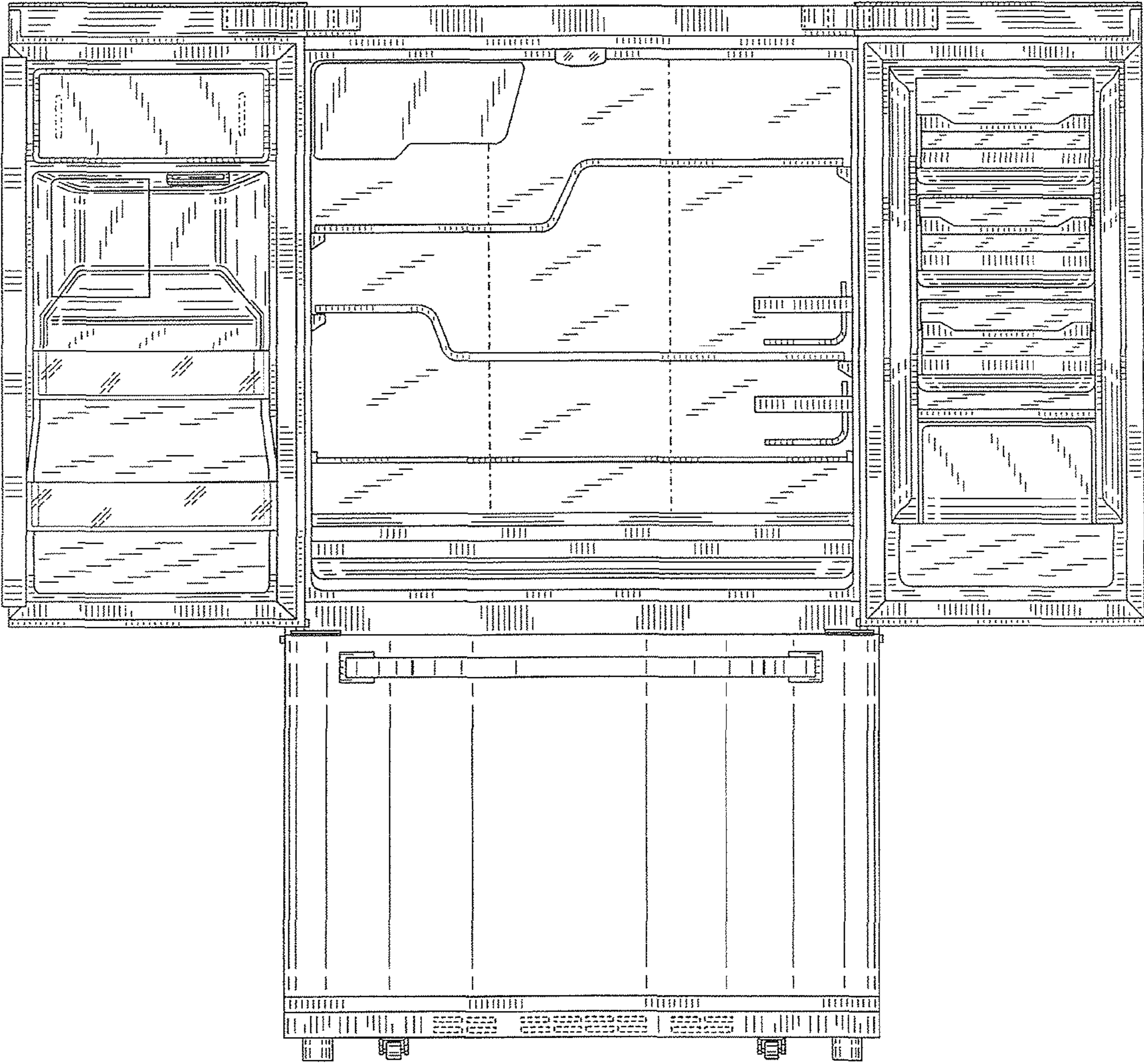


FIG. 2

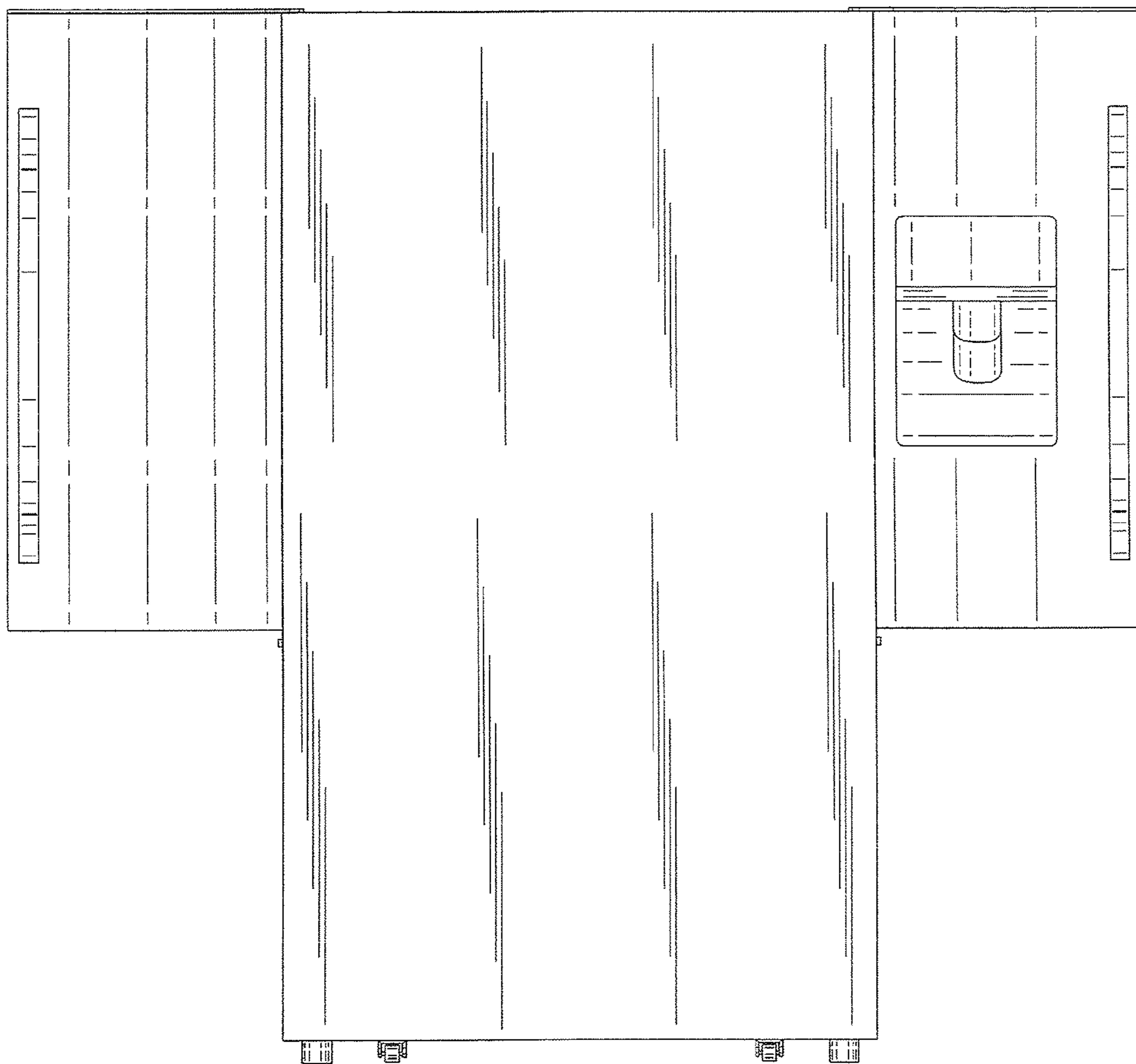


FIG. 3

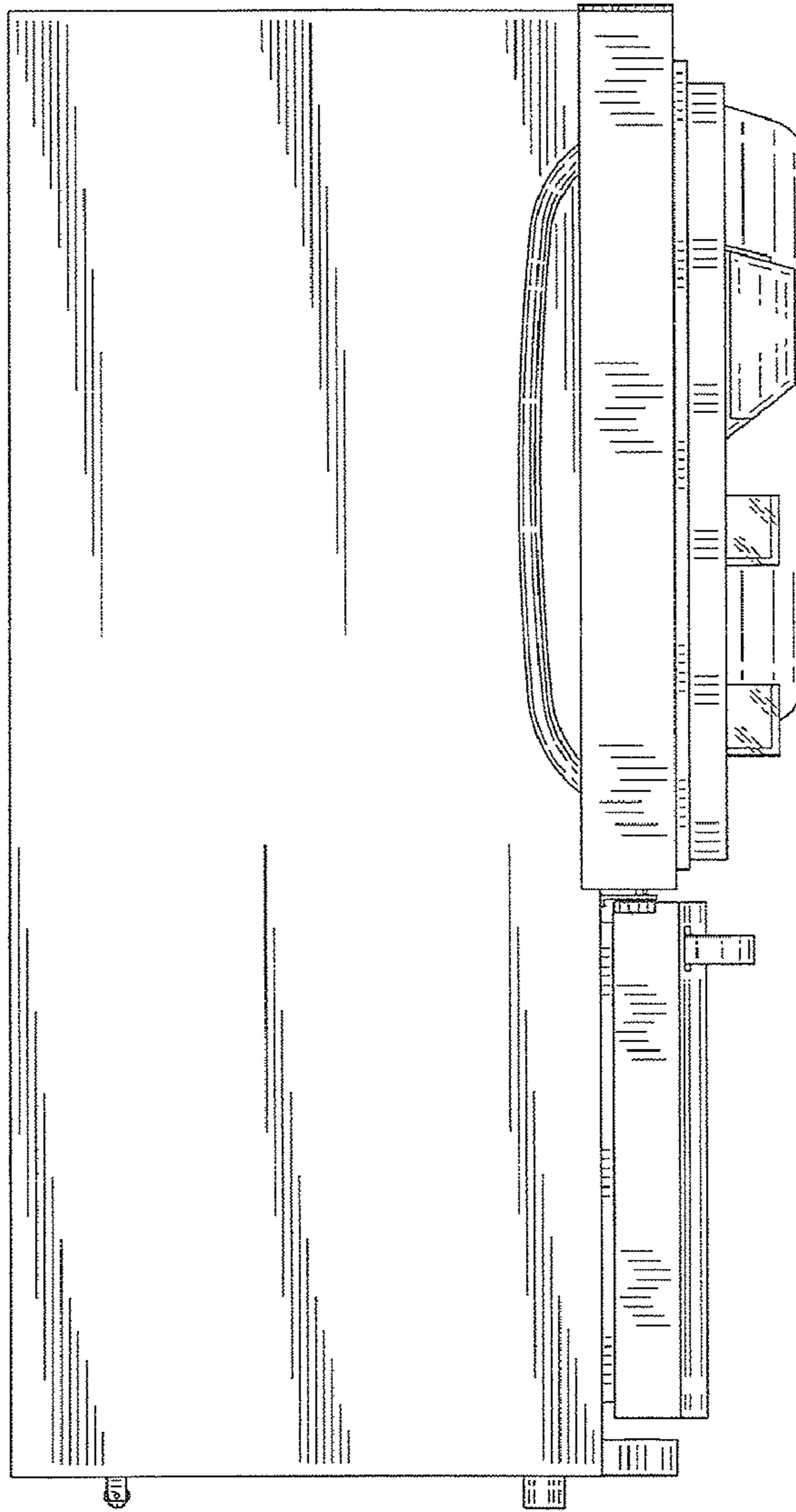


FIG. 4

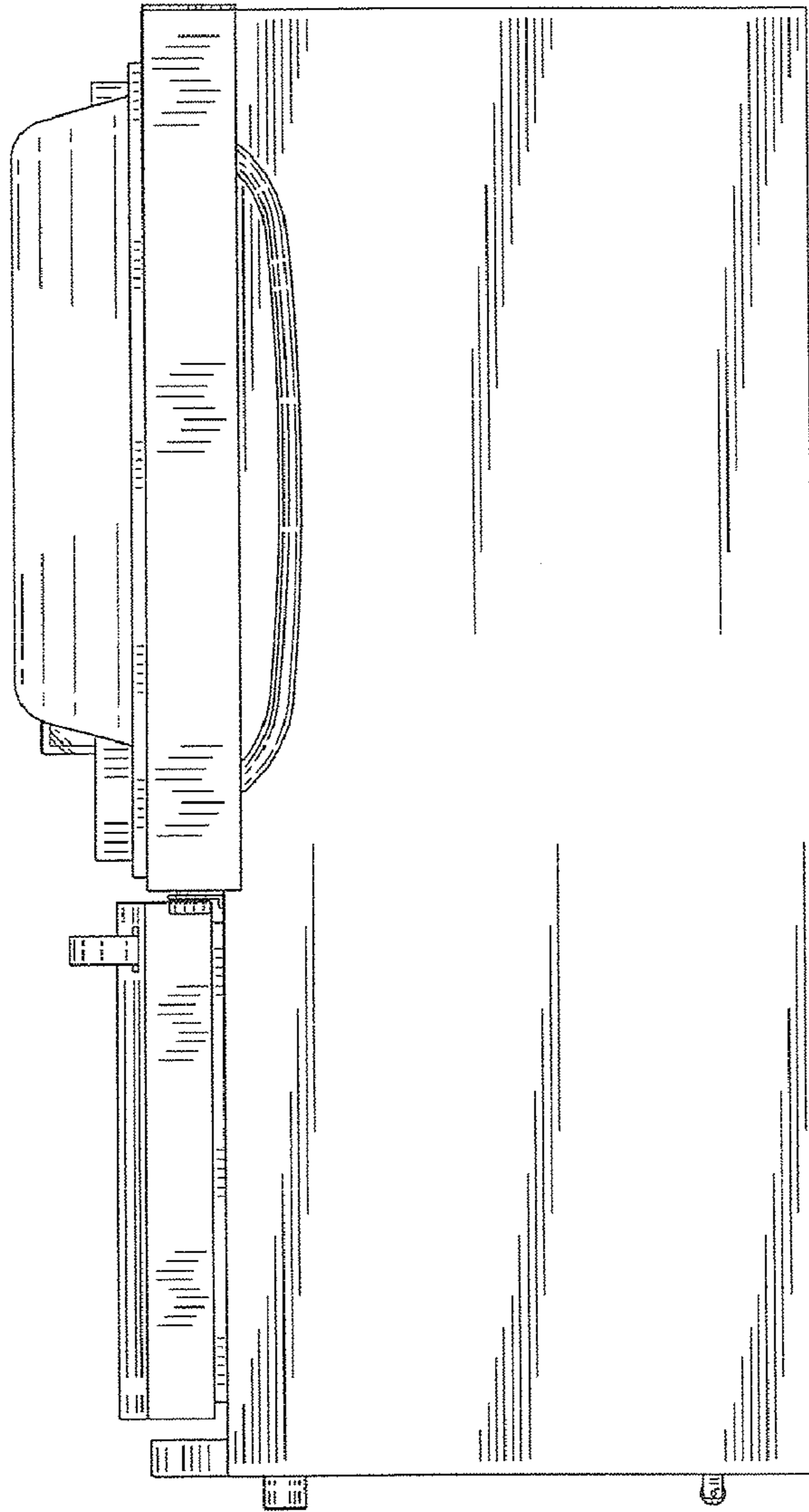


FIG. 5

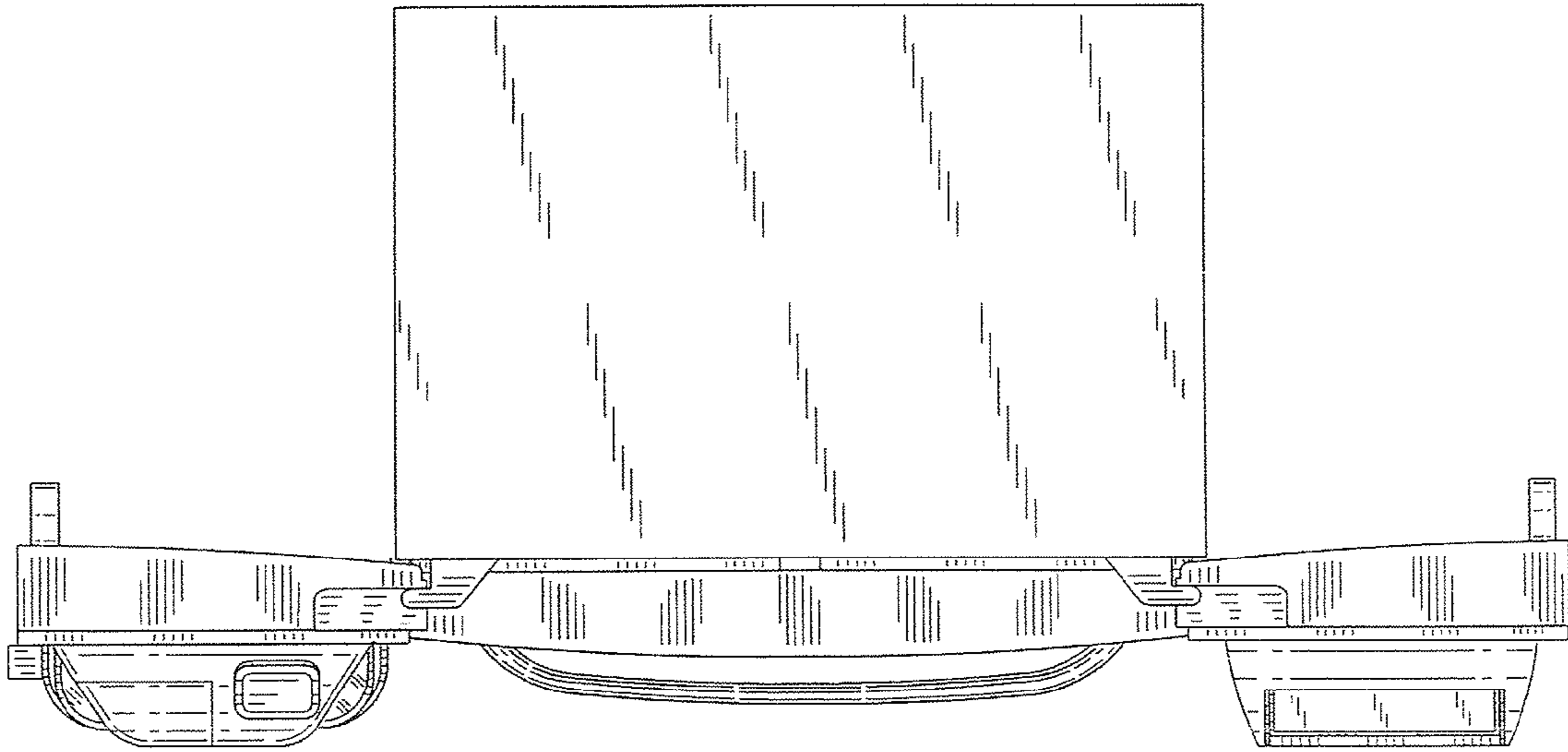


FIG. 6

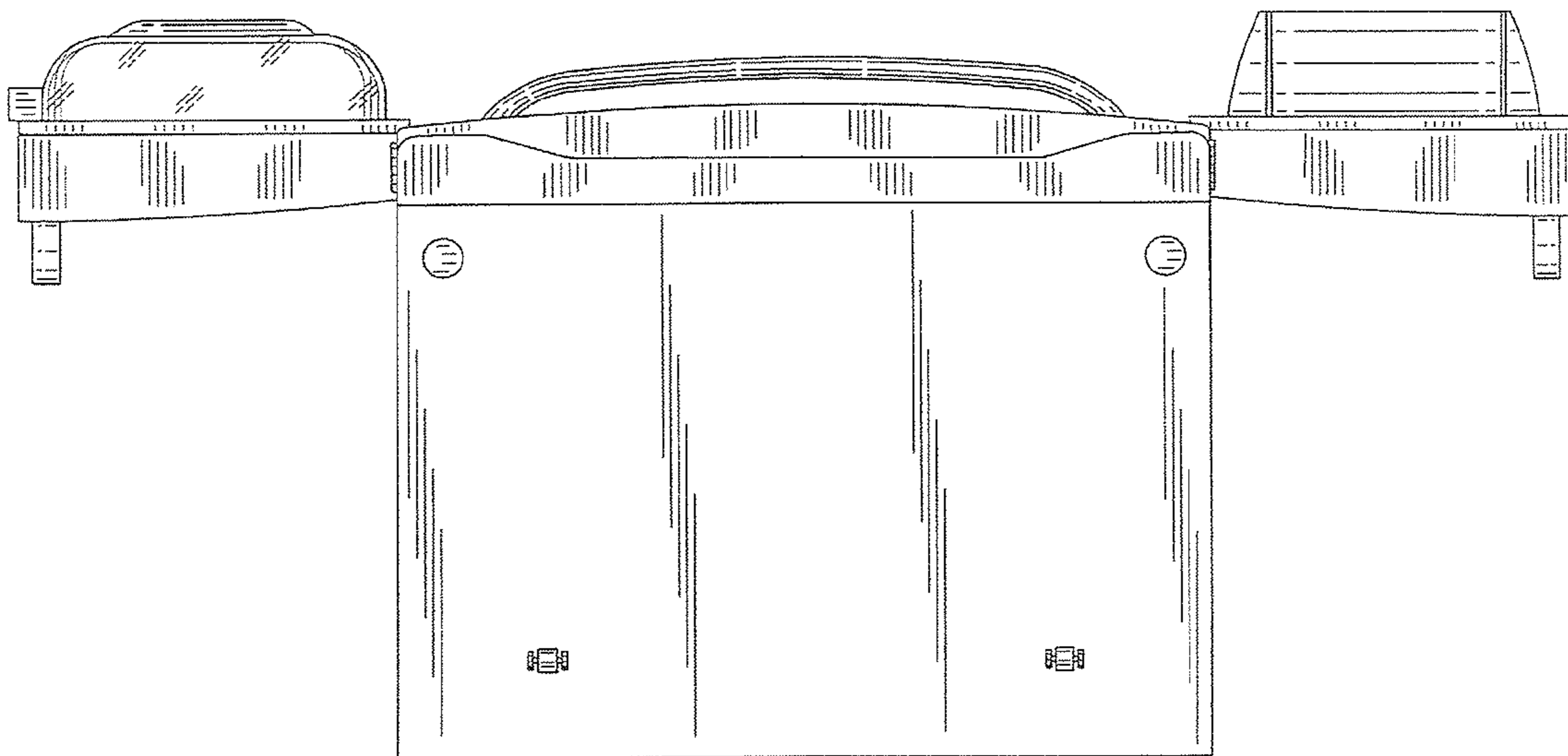


FIG. 7