



US00D639313S

(12) **United States Design Patent**  
**Vladimirovich**

(10) **Patent No.:** **US D639,313 S**

(45) **Date of Patent:** **\*\* Jun. 7, 2011**

(54) **TRACK FOR A LAND VEHICLE**

(75) **Inventor:** **Degtyarev Aleksandr Vladimirovich,**  
**Kursk (RU)**

(73) **Assignee:** **Zakrytoe Aktsionernoje Obschestvo**  
**Nauchno-Proizvodstvennoe**  
**Obyedinenie Kompozit, Kursk (RU)**

(\*\*) **Term:** **14 Years**

(21) **Appl. No.:** **29/365,402**

(22) **Filed:** **Jul. 8, 2010**

(30) **Foreign Application Priority Data**

May 18, 2010 (RU) ..... 2010501332

(51) **LOC (9) Cl.** ..... **15-03**

(52) **U.S. Cl.** ..... **D15/28**

(58) **Field of Classification Search** ..... D15/28;  
D12/7, 608, 8, 9, 10; D2/951, 960; 305/165-179,  
305/157, 52, 158, 180-184; 180/190, 191,  
180/184; 474/266, 267, 260-262  
See application file for complete search history.

(56) **References Cited**

**U.S. PATENT DOCUMENTS**

D216,301	S	*	12/1969	Chaumont	.....	D12/7
3,582,154	A	*	6/1971	Russ, Sr.	.....	305/166
D222,247	S	*	10/1971	Perreault	.....	D12/7
3,637,267	A	*	1/1972	Bombardier et al.	.....	305/160
3,754,798	A	*	8/1973	Chaumont	.....	305/166
3,756,668	A	*	9/1973	Russ, Sr.	.....	305/179
D242,612	S	*	12/1976	Perreault	.....	D12/7
D243,517	S	*	3/1977	Belanger	.....	D12/7
D260,899	S	*	9/1981	Joseph et al.	.....	D15/28
D283,206	S	*	4/1986	Talbot	.....	D12/7
D298,018	S	*	10/1988	Cartwright	.....	D12/3
D302,017	S	*	7/1989	Grawey et al.	.....	D15/28
D376,996	S	*	12/1996	Soucy et al.	.....	D12/7
D380,419	S	*	7/1997	Thompson et al.	.....	D12/7

D386,721	S	*	11/1997	Bedard	.....	D12/7
D389,428	S	*	1/1998	Dandurand	.....	D12/7
D389,429	S	*	1/1998	Dandurand	.....	D12/7
D389,430	S	*	1/1998	Dandurand	.....	D12/7
D389,431	S	*	1/1998	Dandurand	.....	D12/7
D389,432	S	*	1/1998	Dandurand	.....	D12/7
D389,433	S	*	1/1998	Dandurand	.....	D12/7
D389,434	S	*	1/1998	Dandurand	.....	D12/7
D389,435	S	*	1/1998	Dandurand	.....	D12/7
5,713,645	A	*	2/1998	Thompson et al.	.....	305/168
5,730,510	A	*	3/1998	Courtemanche	.....	305/168
D393,607	S	*	4/1998	Dandurand	.....	D12/7
D394,615	S	*	5/1998	Dandurand	.....	D12/7
D408,326	S	*	4/1999	Dandurand	.....	D12/7
6,109,705	A	*	8/2000	Courtemanche	.....	305/178
D431,015	S	*	9/2000	Lussier	.....	D12/7
D436,892	S	*	1/2001	Soucy et al.	.....	D12/7
6,575,540	B2	*	6/2003	Soucy et al.	.....	305/166
6,626,258	B1	*	9/2003	Forbes	.....	180/184
D511,481	S	*	11/2005	Sampson	.....	D12/7

(Continued)

*Primary Examiner* — Mark A Goodwin

(74) *Attorney, Agent, or Firm* — Notaro, Michalos & Zaccaria P.C.

(57) **CLAIM**

The ornamental design for a track for a land vehicle, as shown and described.

**DESCRIPTION**

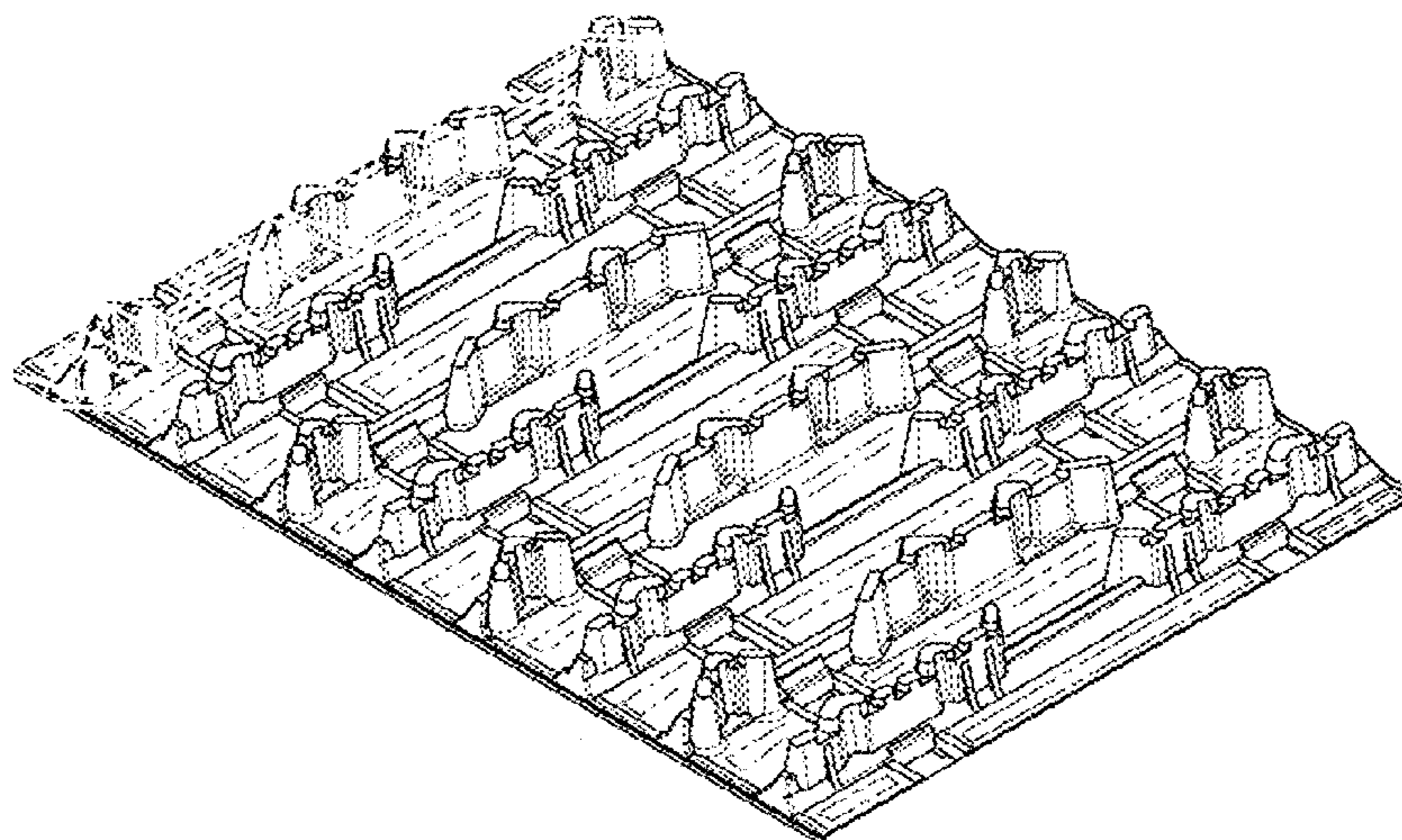
FIG. 1 is a top plan view of a track for a land vehicle showing my new design, the broken line areas forming no part of the claimed design;

FIG. 2 is a bottom plan view thereof;

FIG. 3 is a top perspective view thereof, the broken line showing of multiple links of the track in assembled condition forming no part of the claimed design, it being understood that the track pattern is repeated uniformly of indefinite length; and,

FIG. 4 is a side elevational view thereof.

**1 Claim, 4 Drawing Sheets**



# US D639,313 S

Page 2

---

## U.S. PATENT DOCUMENTS

D565,605 S *	4/2008	Tateishi .....	D15/28	D588,169 S *	3/2009	Hagio .....	D15/28
D567,823 S *	4/2008	Hagio .....	D15/28	D619,930 S *	7/2010	Faucher et al. ....	D12/7

\* cited by examiner

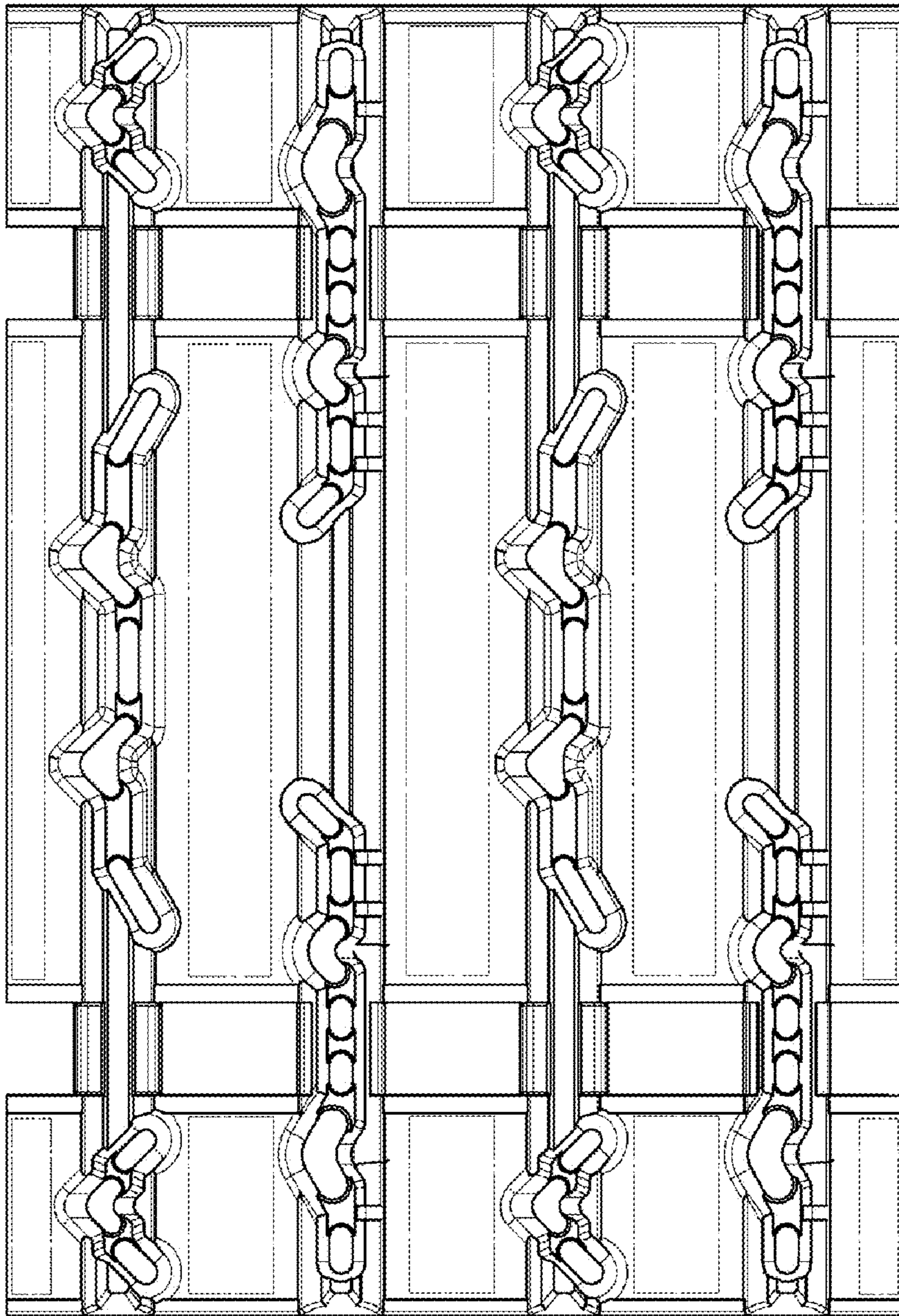


FIG. 1

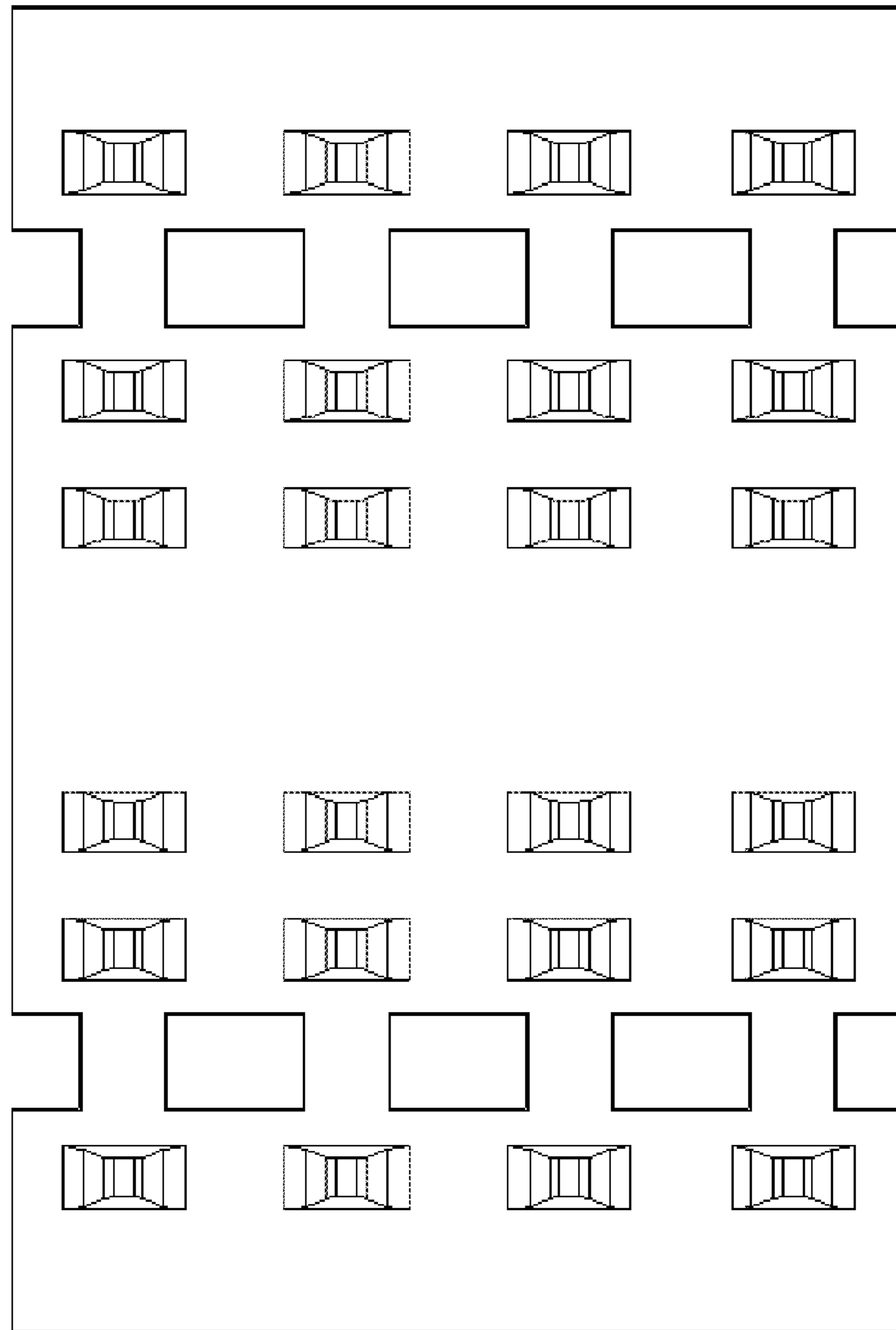


FIG. 2

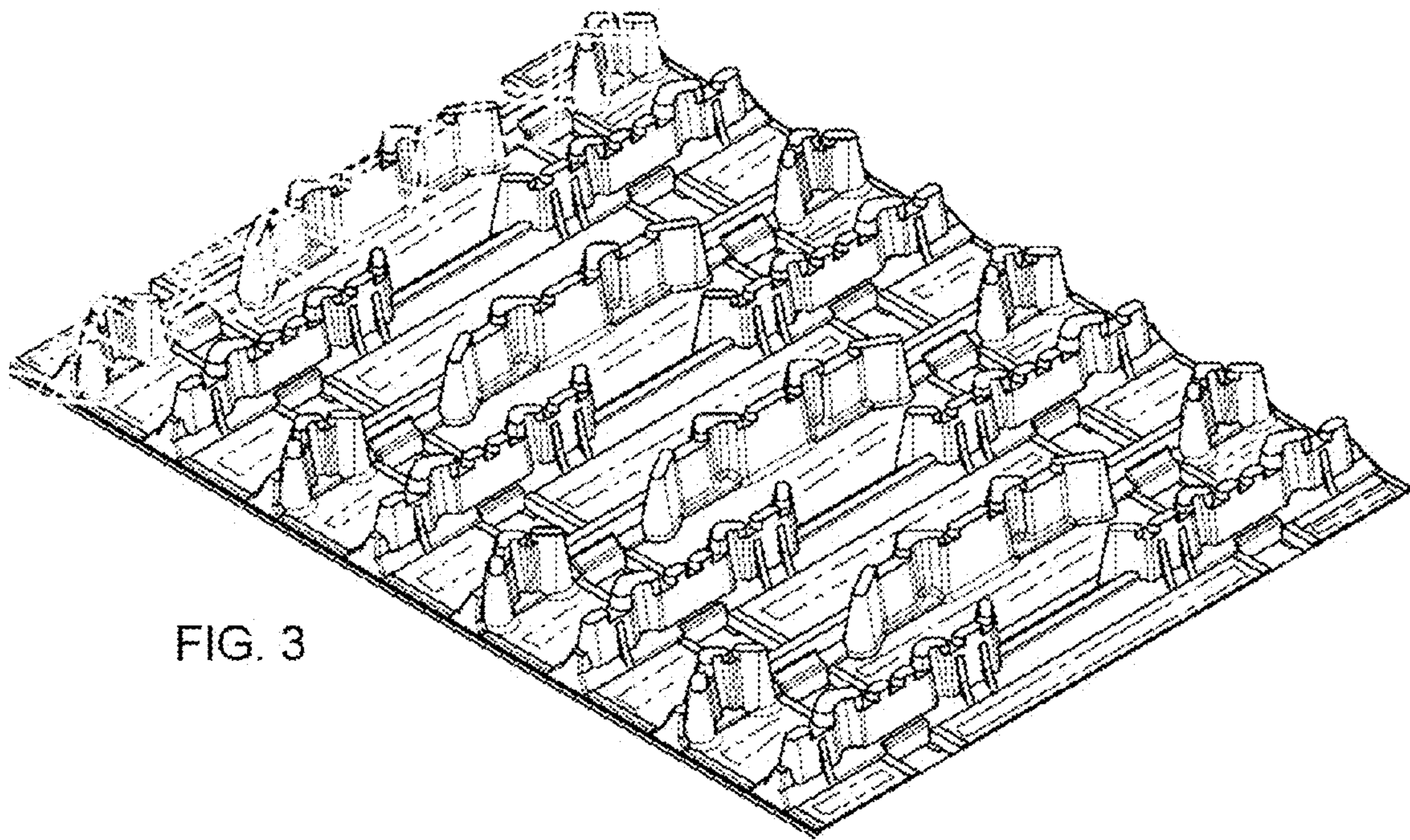


FIG. 3

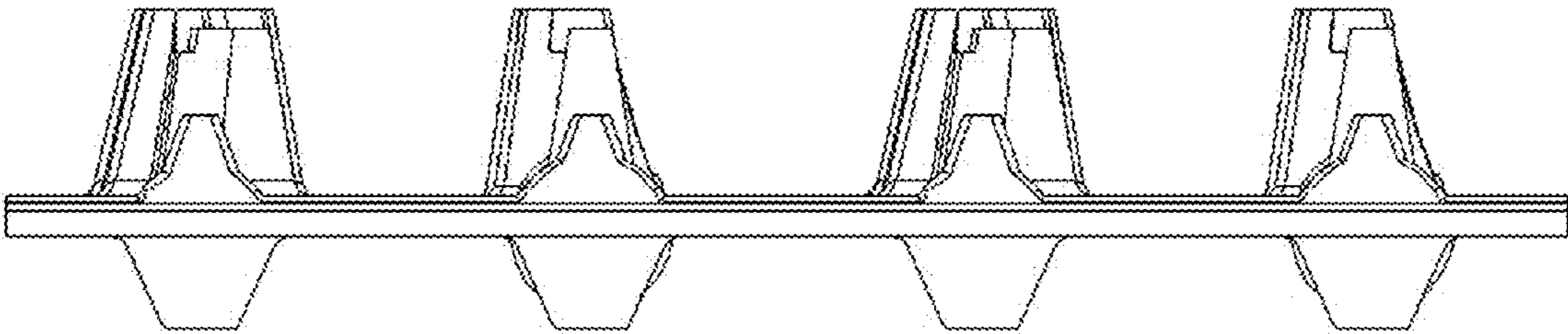


FIG. 4