



US00D639312S

(12) **United States Design Patent**
Pereyra

(10) **Patent No.:** **US D639,312 S**

(45) **Date of Patent:** **** Jun. 7, 2011**

(54) **MOBILE CEMENT PUMP WITH WASHOUT FEATURE**

(76) Inventor: **Oscar Pereyra**, San Diego, CA (US)

(**) Term: **14 Years**

(21) Appl. No.: **29/250,618**

(22) Filed: **Nov. 22, 2006**

(51) **LOC (9) Cl.** **15-03**

(52) **U.S. Cl.** **D15/19; D15/27**

(58) **Field of Classification Search** D15/10,
D15/19, 199, 27, 28; D7/376; 366/287-301,
366/1, 12, 13, 341, 279, 138

See application file for complete search history.

(56) **References Cited**

U.S. PATENT DOCUMENTS

D122,379	S	*	9/1940	Ball	D15/19
D152,872	S	*	3/1949	Fleischmann	D15/19
D175,990	S	*	11/1955	Thomas et al.	D15/19
D181,045	S	*	9/1957	Faber	D15/19
2,970,820	A	*	2/1961	Sepich	366/47
3,017,164	A	*	1/1962	Ayers et al.	366/11
3,218,045	A	*	11/1965	Cox	366/39
3,414,241	A	*	12/1968	De Shano	366/1
3,938,786	A	*	2/1976	Bernold	366/13
4,147,331	A	*	4/1979	Kopecky	366/46

4,159,877	A	*	7/1979	Jacobson et al.	366/22
4,185,923	A	*	1/1980	Bouette et al.	366/10
4,725,216	A	*	2/1988	Foster	425/200
5,402,950	A	*	4/1995	Blair et al.	241/101.76
D366,266	S	*	1/1996	Blair et al.	D15/27
5,609,417	A	*	3/1997	Otte	366/137

* cited by examiner

Primary Examiner — Mark Goodwin

(74) *Attorney, Agent, or Firm* — Nydegger & Associates

(57) **CLAIM**

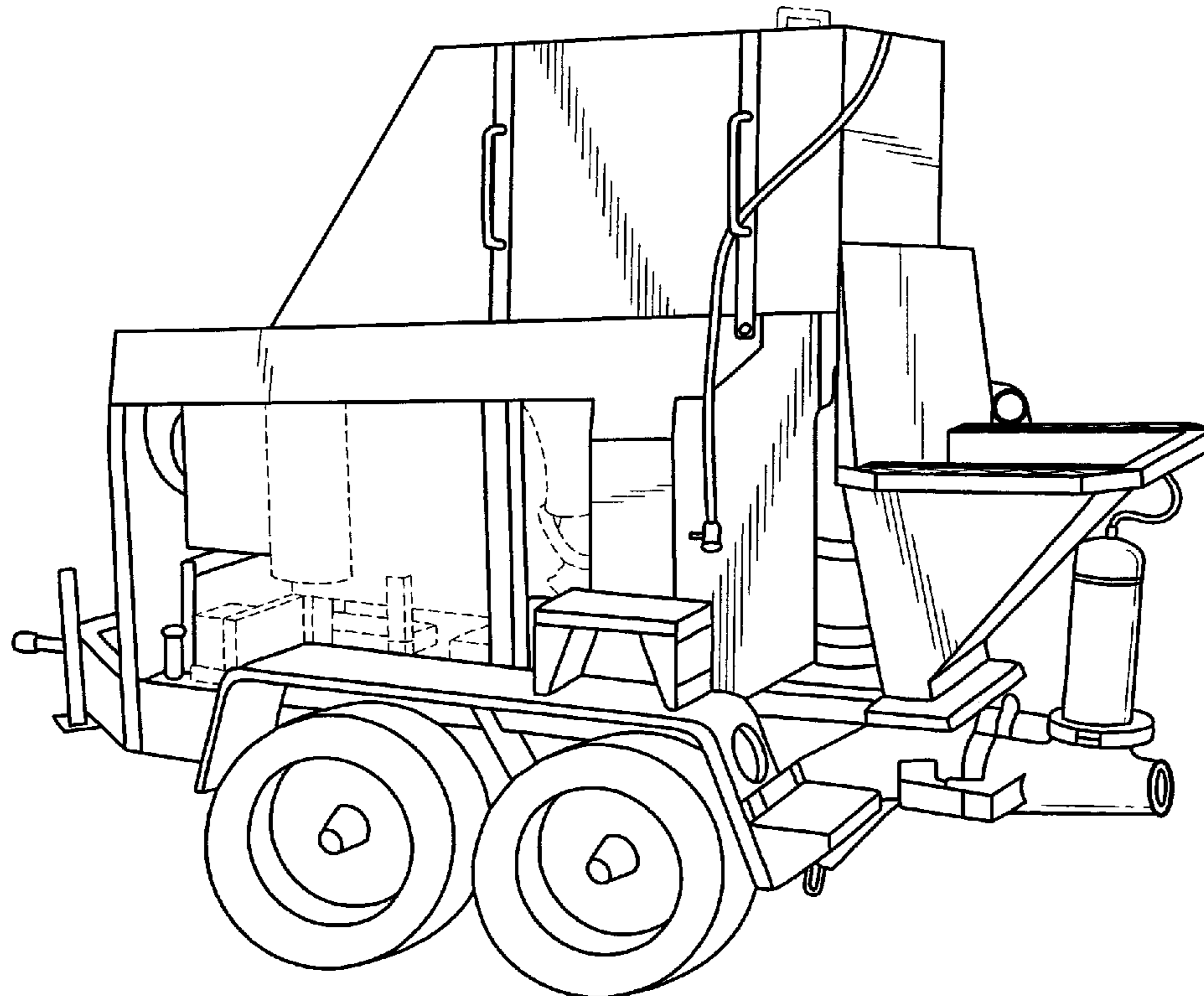
The ornamental design for a mobile cement pump with washout feature, as shown and described.

DESCRIPTION

FIG. 1 is a perspective view of a mobile cement pump with washout feature showing my new design; FIG. 2 is a right side view of thereof; FIG. 3 is a left side view thereof; FIG. 4 is a rear view thereof; FIG. 5 is a front view thereof; and, FIG. 6 is a top view thereof.

The broken line showing of surface features and internal components is included for the purpose of illustrating portions of the mobile cement pump with washout feature and forms no part of the claimed design.

1 Claim, 6 Drawing Sheets



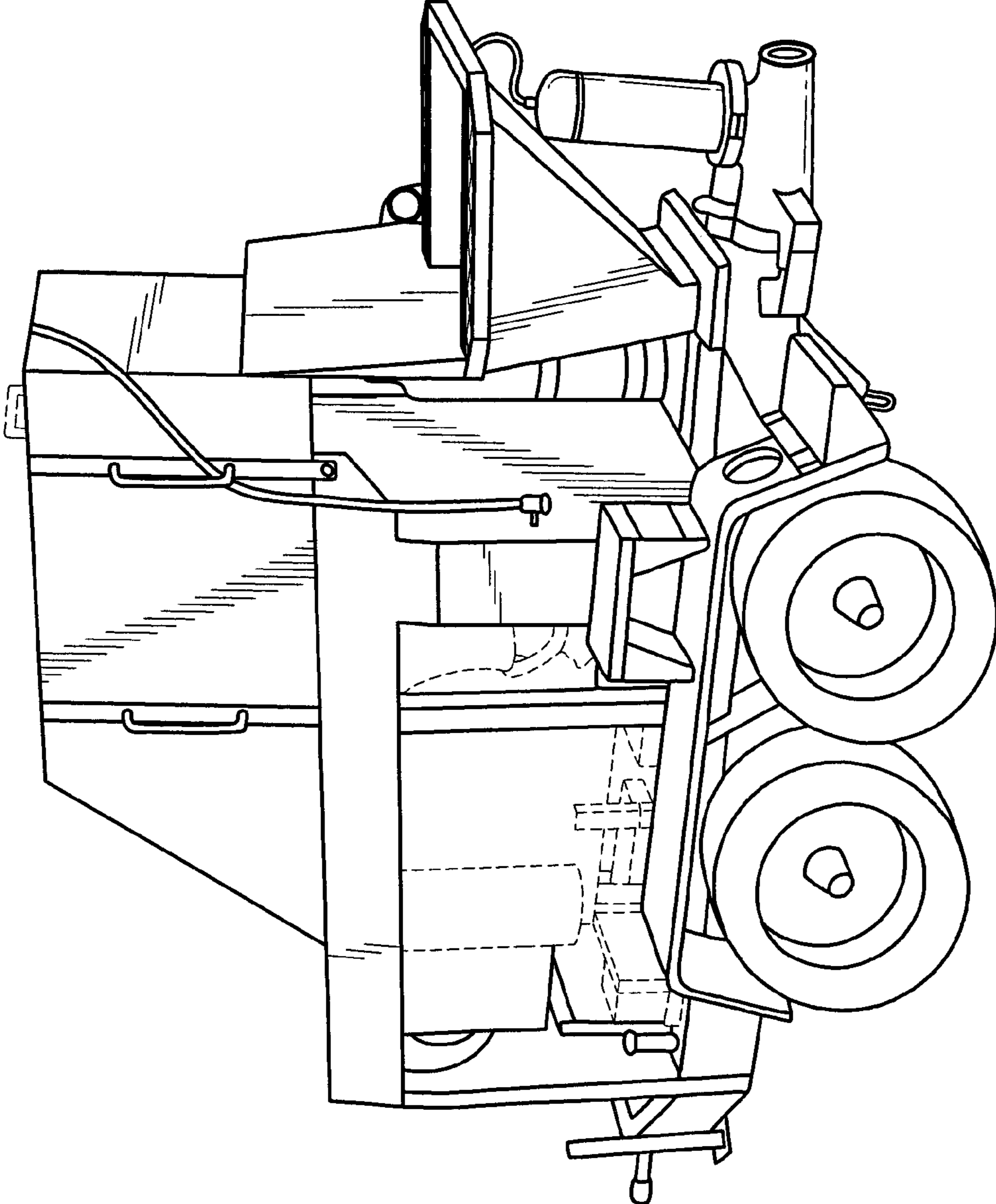


FIG. 1

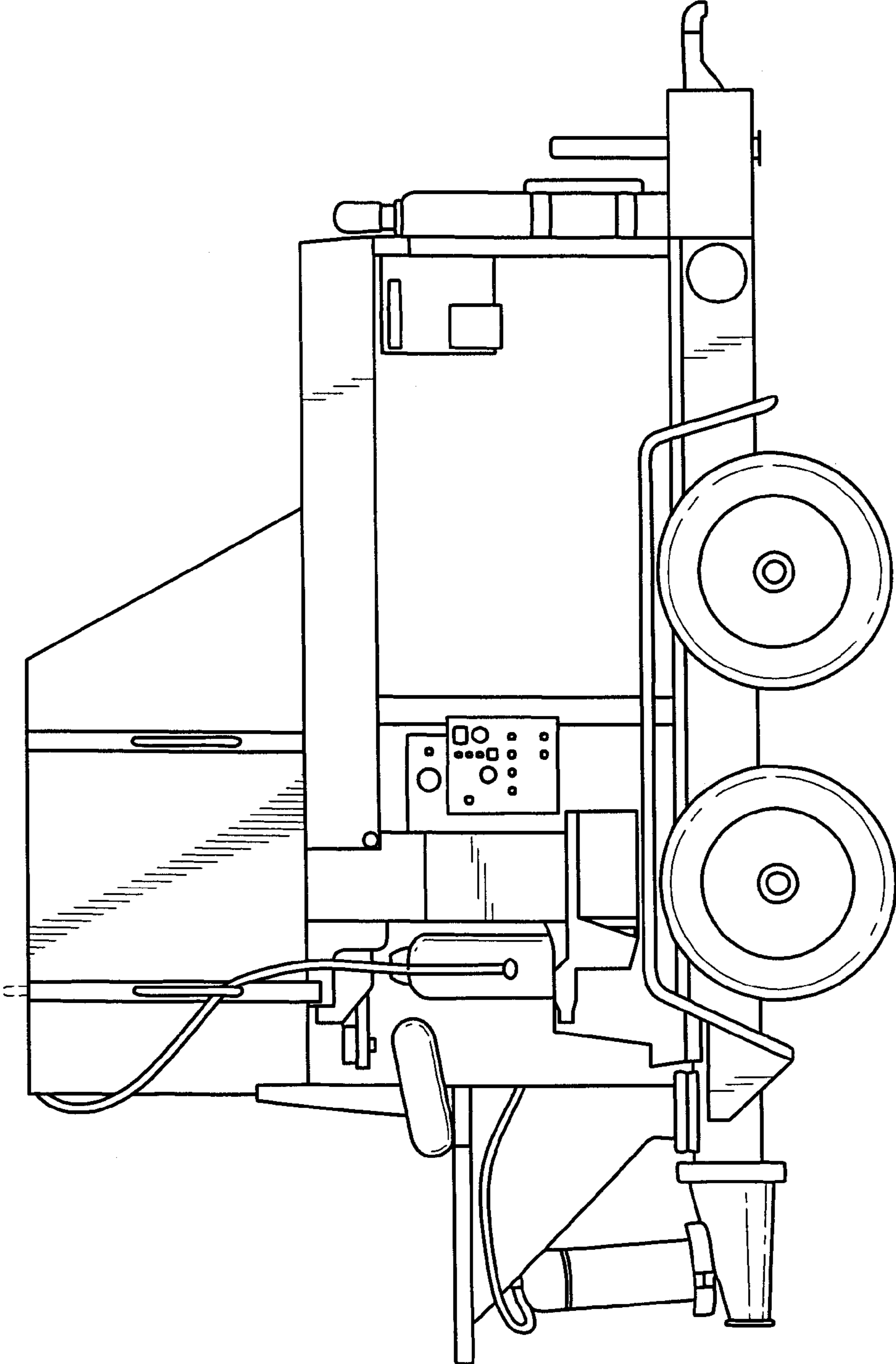


FIG. 2

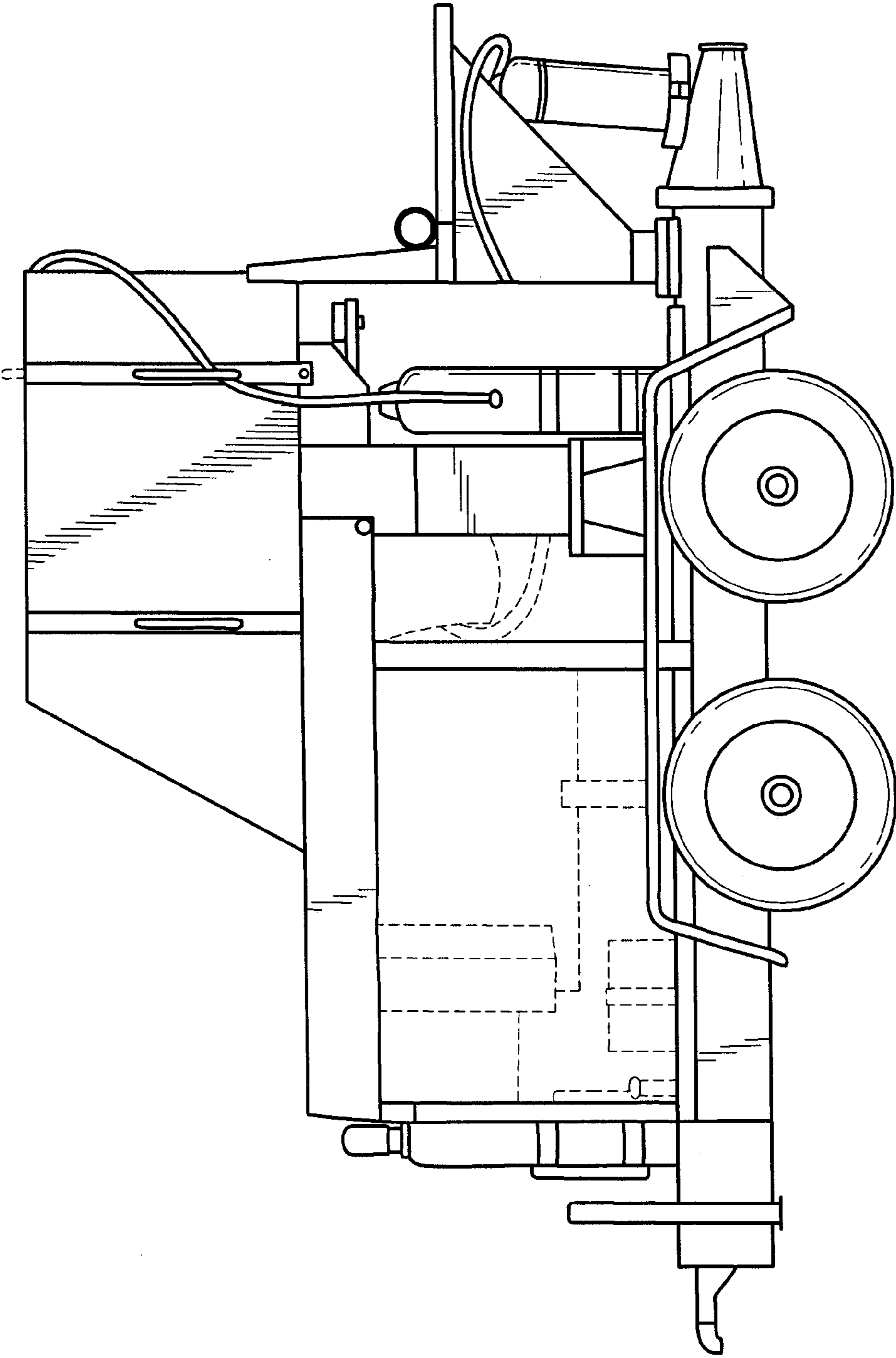


FIG. 3

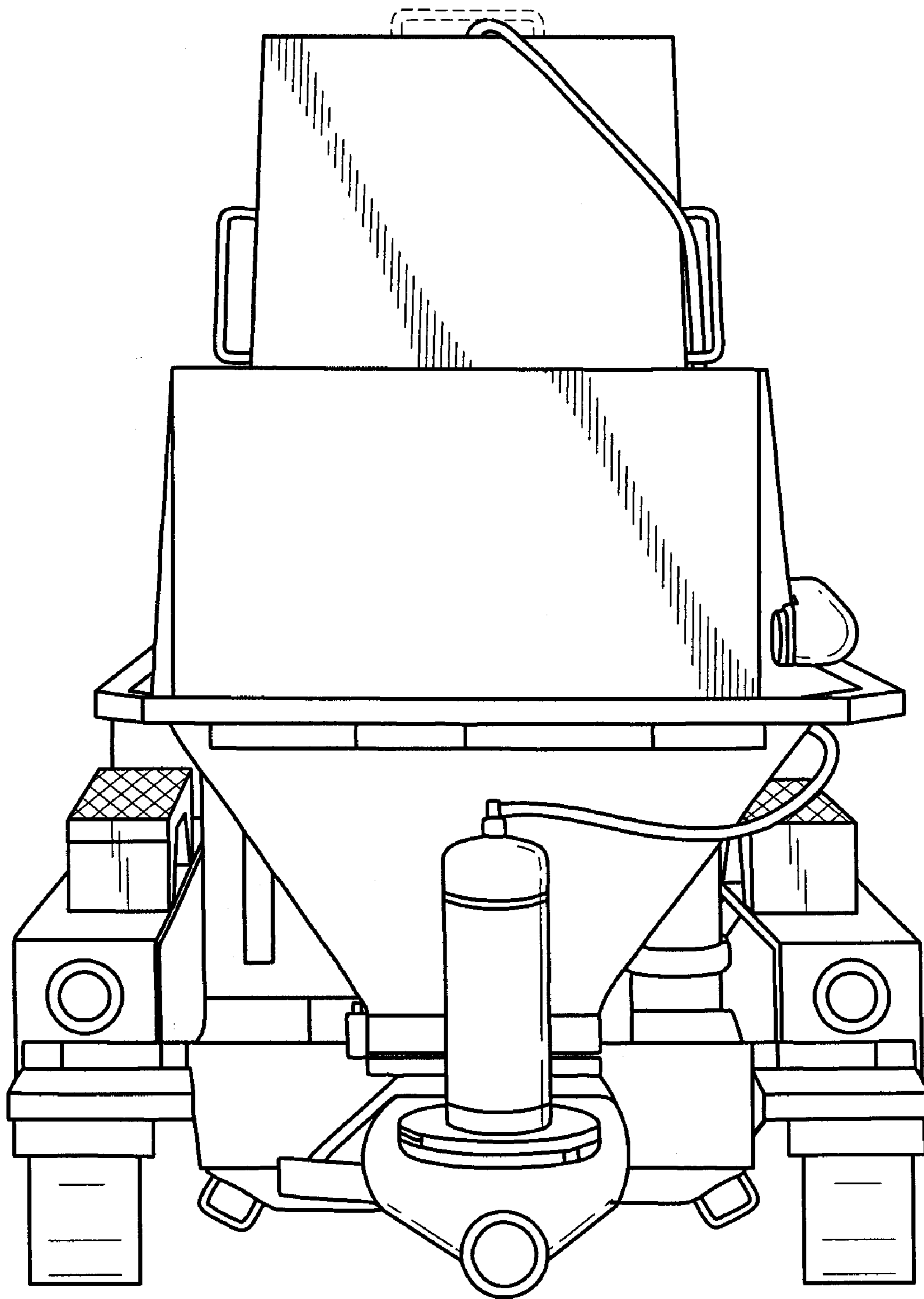


FIG. 4

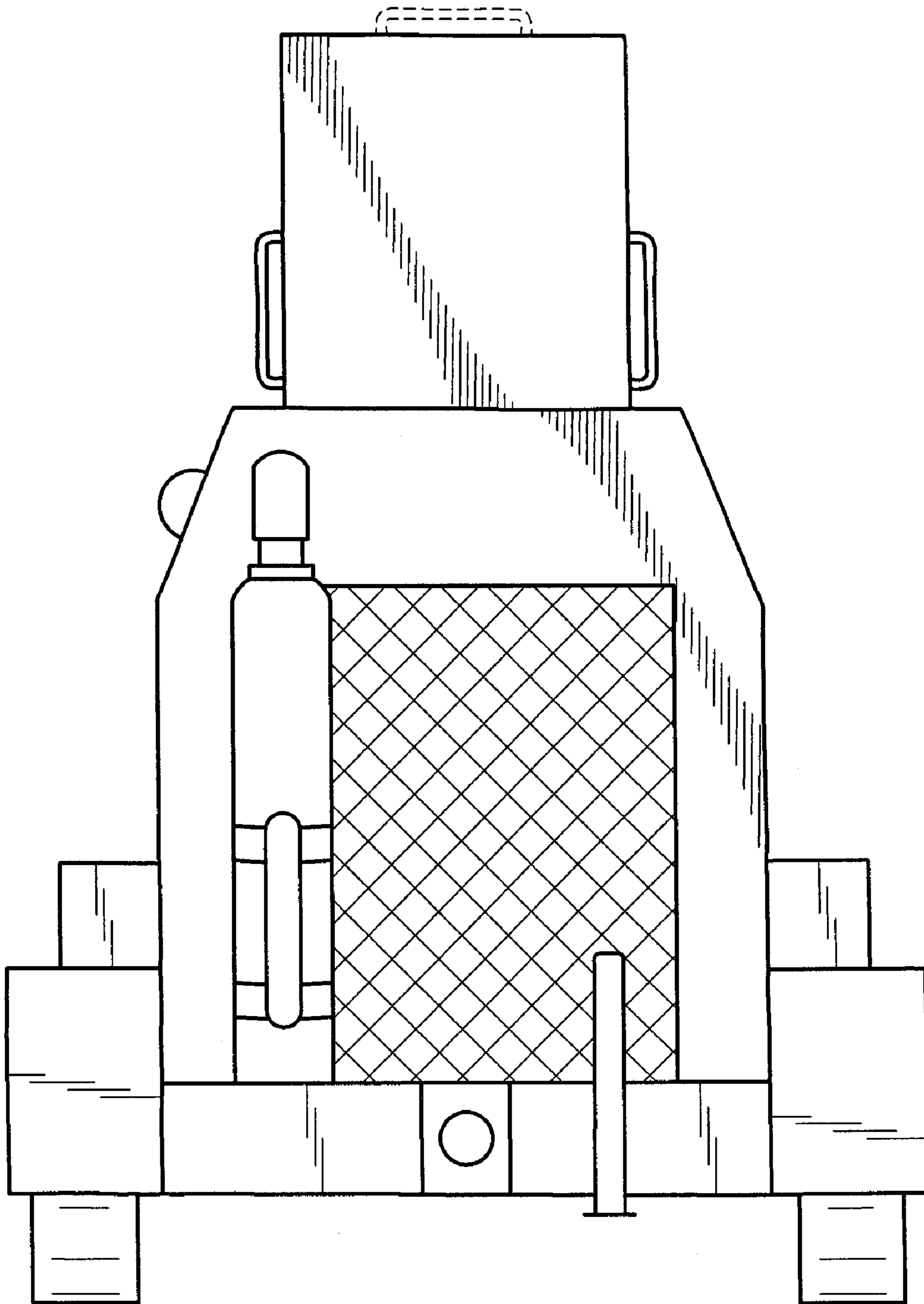


FIG. 5

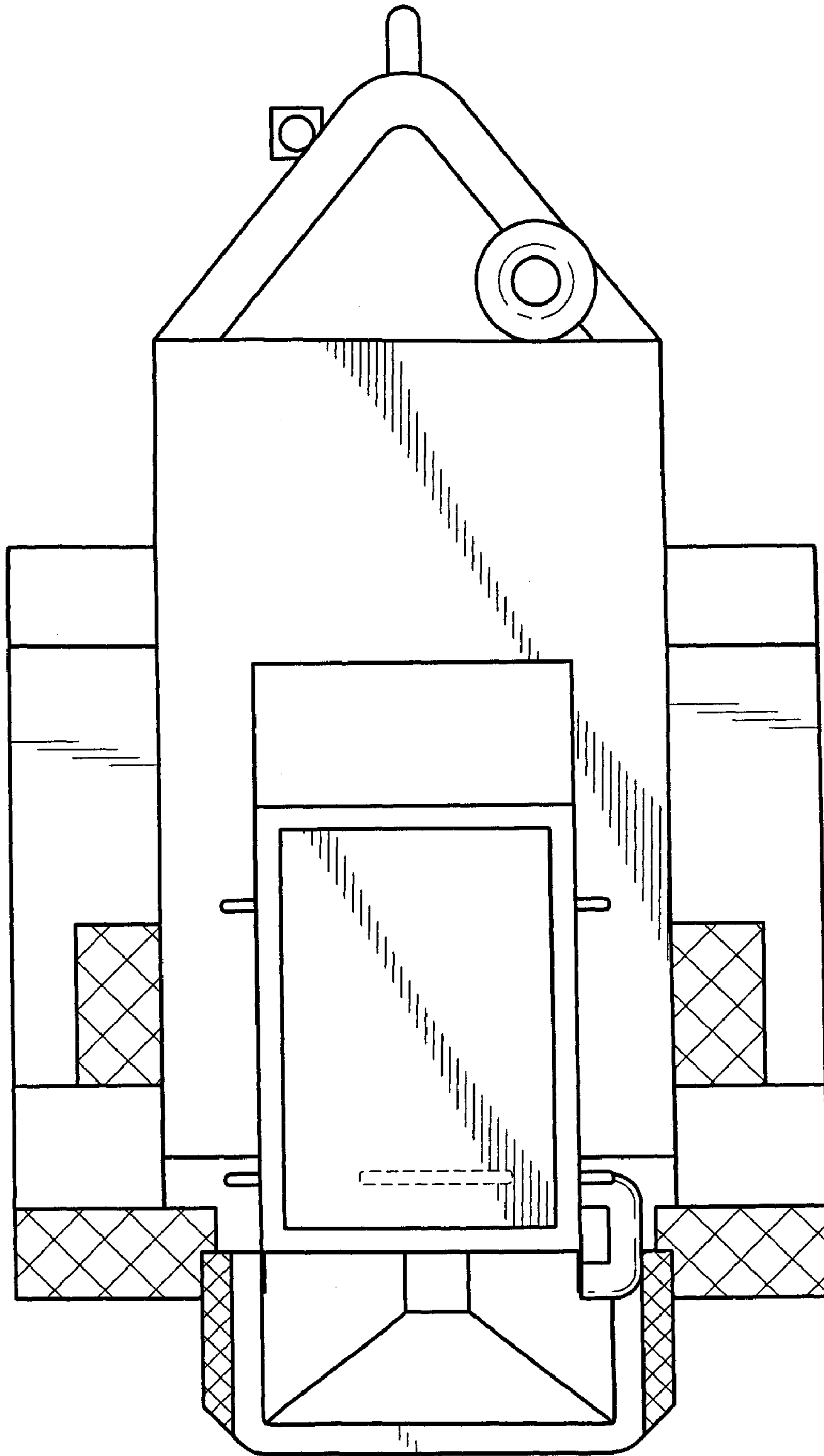


FIG. 6