



US00D639311S

(12) **United States Design Patent**
Peterson et al.

(10) **Patent No.:** **US D639,311 S**
(45) **Date of Patent:** **** *Jun. 7, 2011**

(54) **FLUID SPRAYER PUMP ASSEMBLY**

(75) Inventors: **Craig L. Peterson**, Carver, MN (US);
Ross D. Rossner, St. Michael, MN (US)

(73) Assignee: **Wagner Spray Tech Corporation**,
Plymouth, MN (US)

(**) Term: **14 Years**

(21) Appl. No.: **29/363,252**

(22) Filed: **Jun. 7, 2010**

(51) **LOC (9) Cl.** **15-02**

(52) **U.S. Cl.** **D15/7**

(58) **Field of Classification Search** D15/7-9;
D23/231, 232, 225; 417/410.1, 359, 415-416,
417/234, 321, 265, 405

See application file for complete search history.

(56) **References Cited**

U.S. PATENT DOCUMENTS

D340,724 S *	10/1993	Mariol	D15/7
D340,727 S *	10/1993	Anderson et al.	D15/7
D377,799 S *	2/1997	Kruzel et al.	D15/7
D553,158 S *	10/2007	Caito	D15/9
D559,273 S *	1/2008	Hernandez et al.	D15/9
D560,271 S	1/2008	Kesti et al.		
D596,707 S	7/2009	Mattson et al.		
D597,173 S	7/2009	Mulgrew et al.		
D605,664 S *	12/2009	Walter	D15/7
D611,867 S	3/2010	Peterson et al.		

* cited by examiner

Primary Examiner — Ralf Seifert

(74) *Attorney, Agent, or Firm* — Christopher J. Volkmann;
Westman, Champlin & Kelly, P.A.

(57) **CLAIM**

The ornamental design for a fluid sprayer pump assembly, as shown and described.

DESCRIPTION

FIG. 1 is a perspective view of the fluid sprayer pump assembly in accordance with a first embodiment.

FIG. 2 is a right side view of the fluid sprayer pump assembly in accordance with a first embodiment.

FIG. 3 is a left side view of the fluid sprayer pump assembly in accordance with a first embodiment.

FIG. 4 is a front view of the fluid sprayer pump assembly in accordance with a first embodiment.

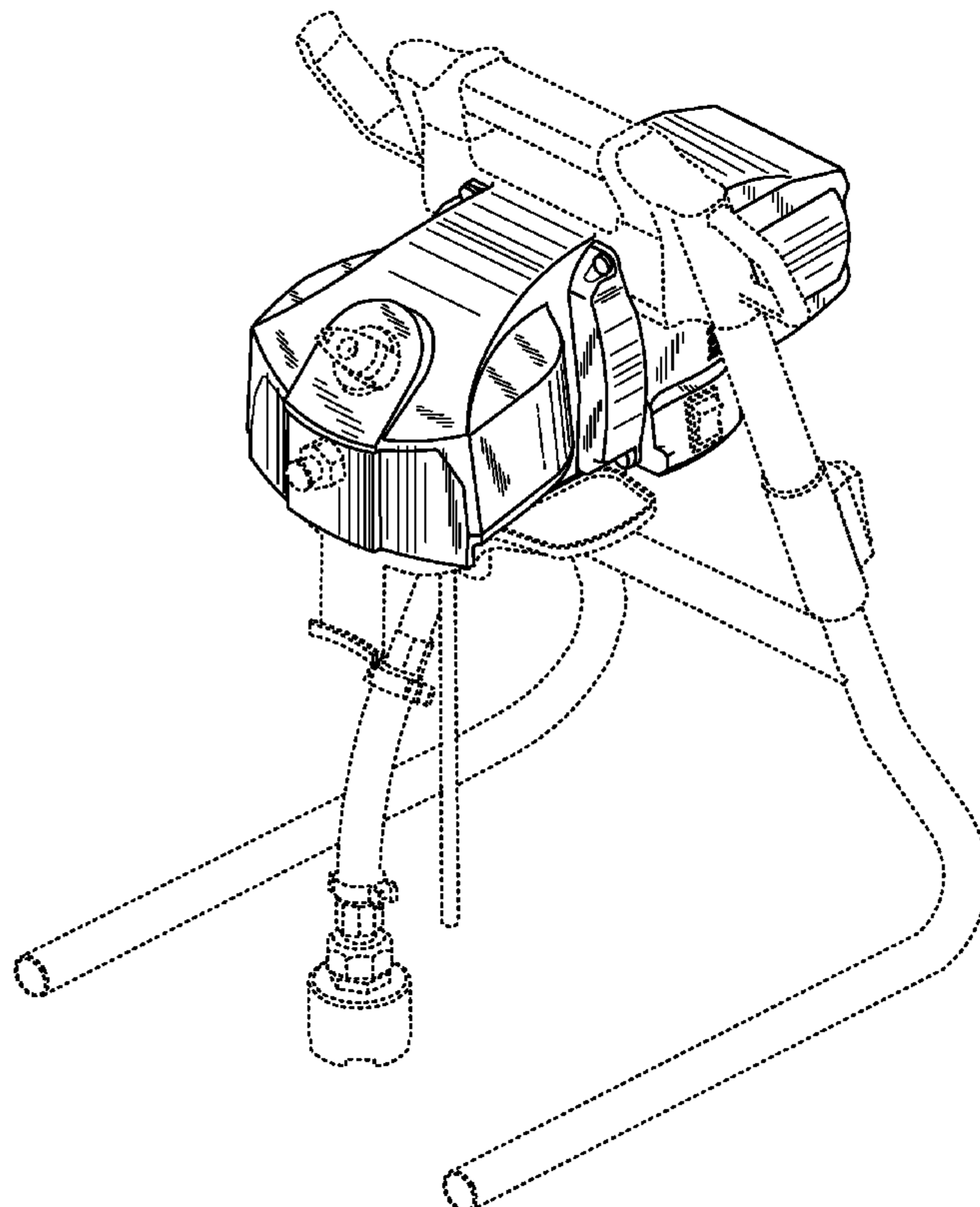
FIG. 5 is a back view of the fluid sprayer pump assembly in accordance with a first embodiment.

FIG. 6 is a top view of the fluid sprayer pump assembly in accordance with a first embodiment; and,

FIG. 7 is a bottom view of the fluid sprayer pump assembly in accordance with a first embodiment.

Features illustrated with dashed lines are not considered features of the invention being claimed, but rather illustrate an exemplary environment for the claimed features illustrated with solid lines.

1 Claim, 7 Drawing Sheets



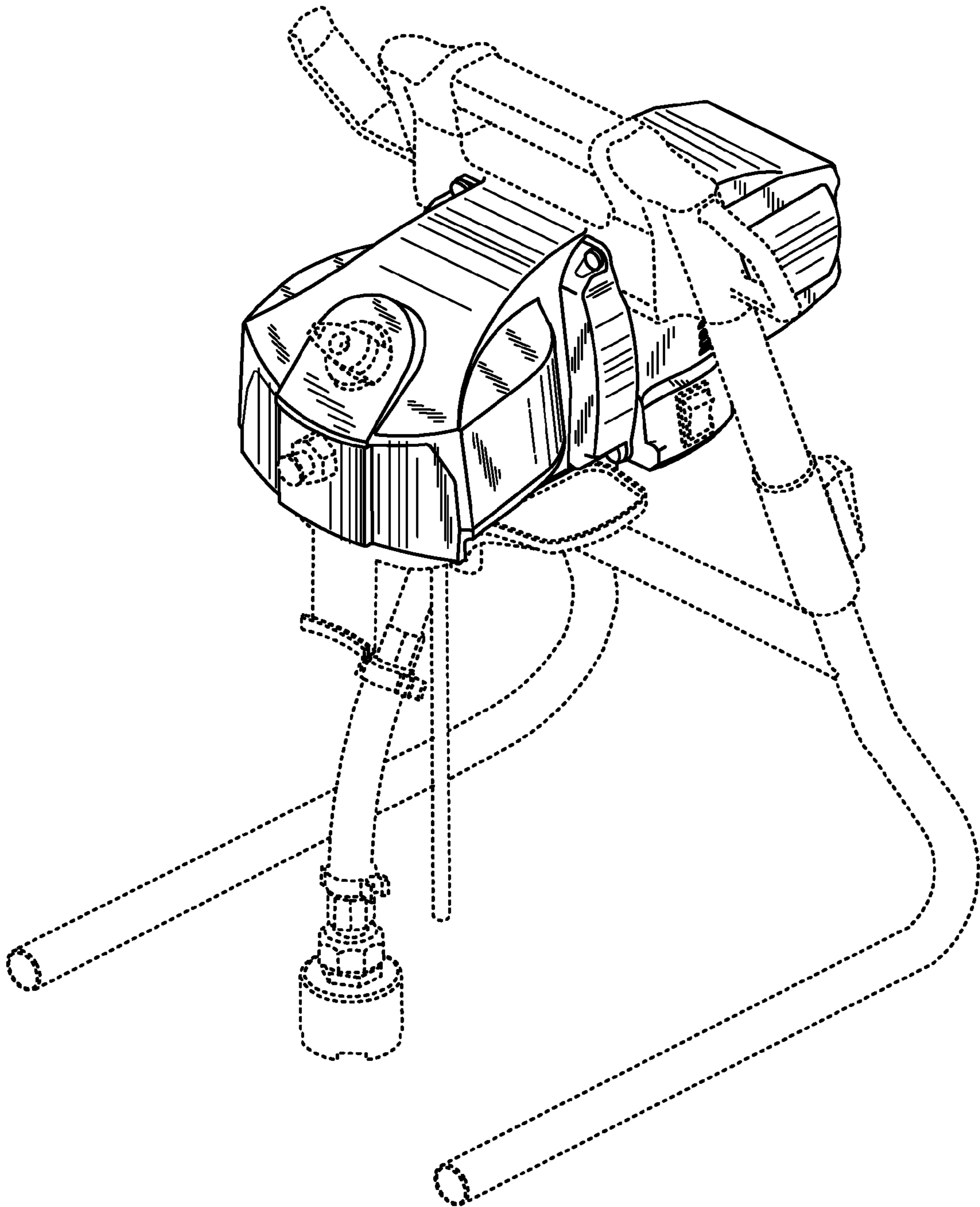


FIG. 1

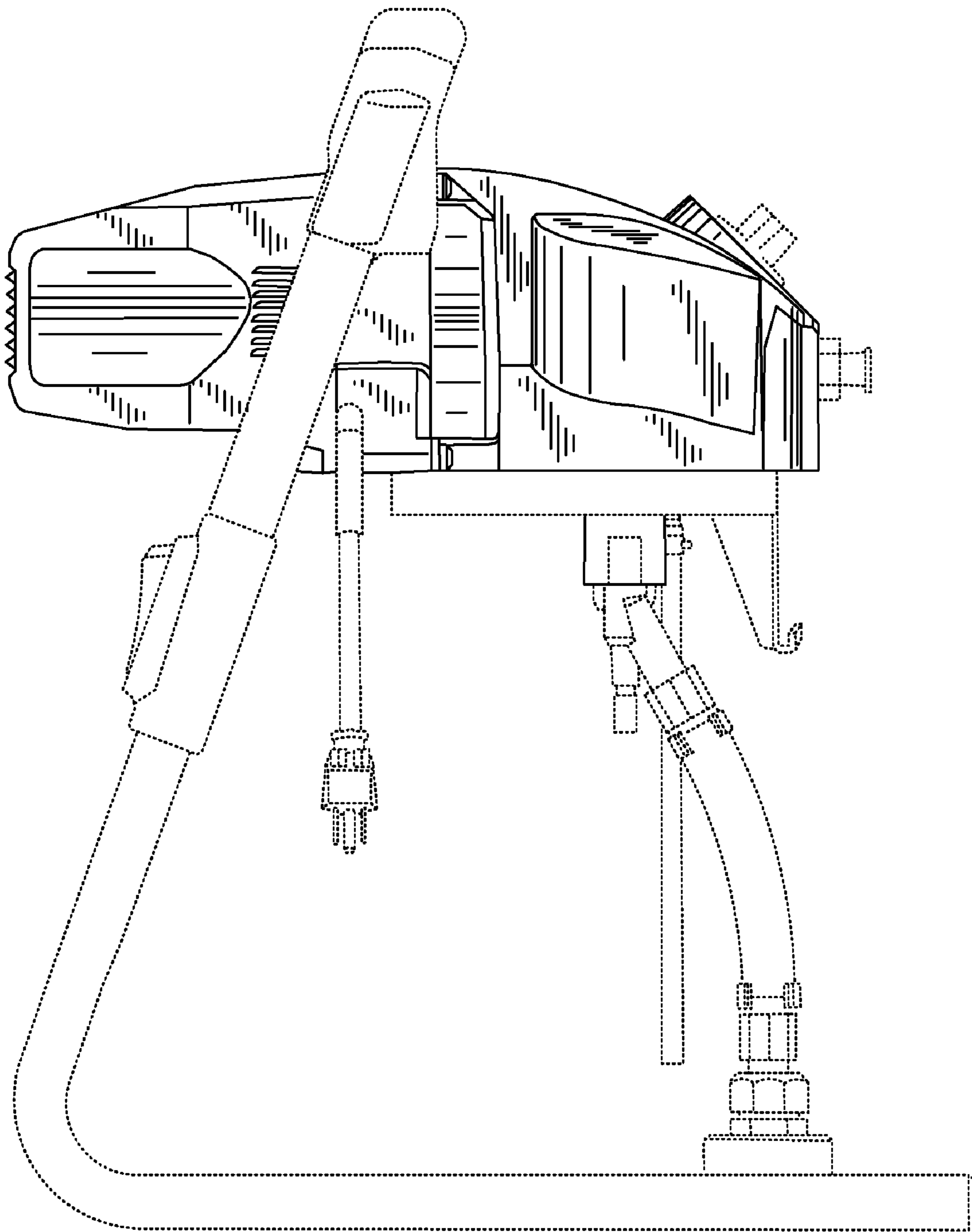


FIG. 2

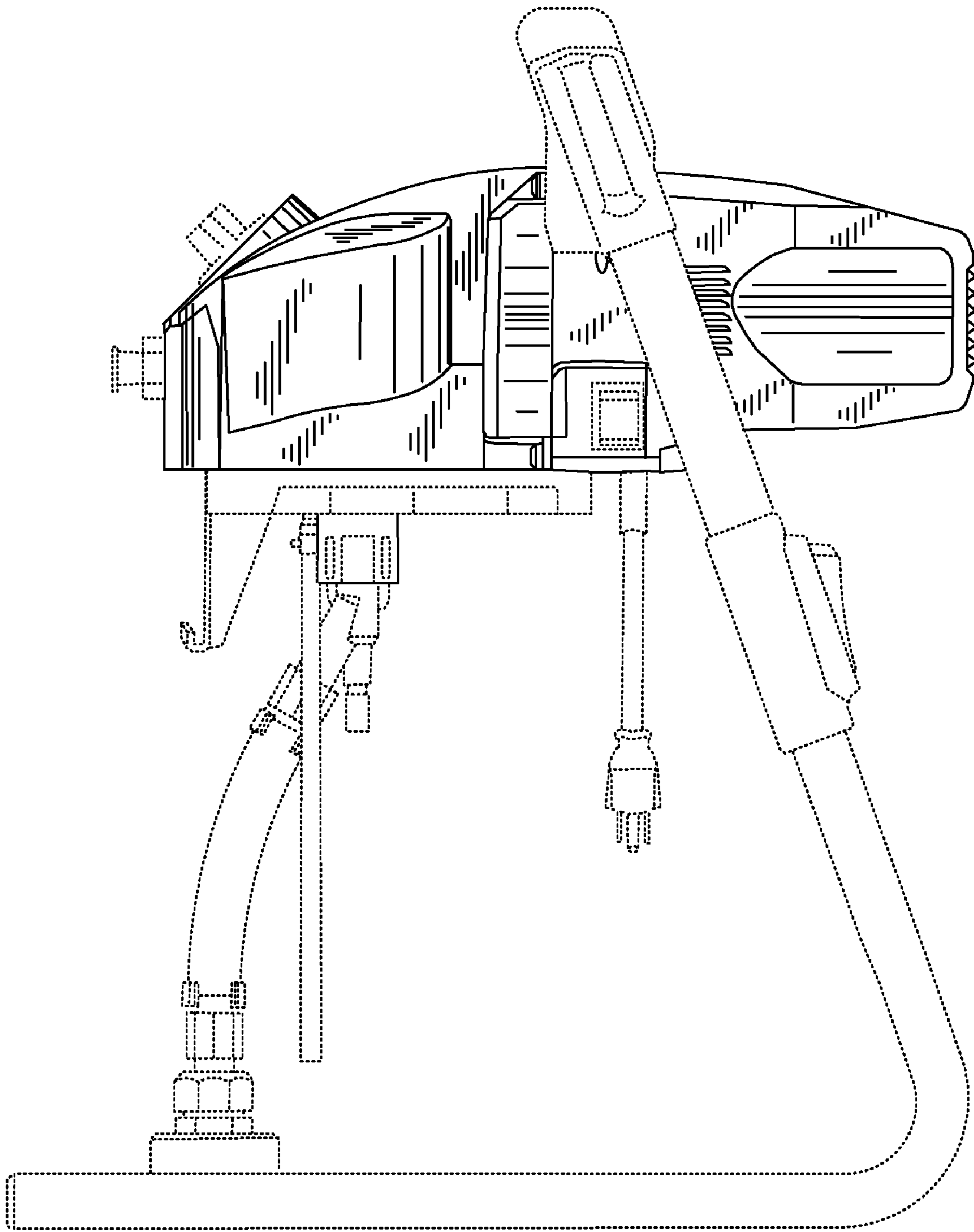


FIG. 3

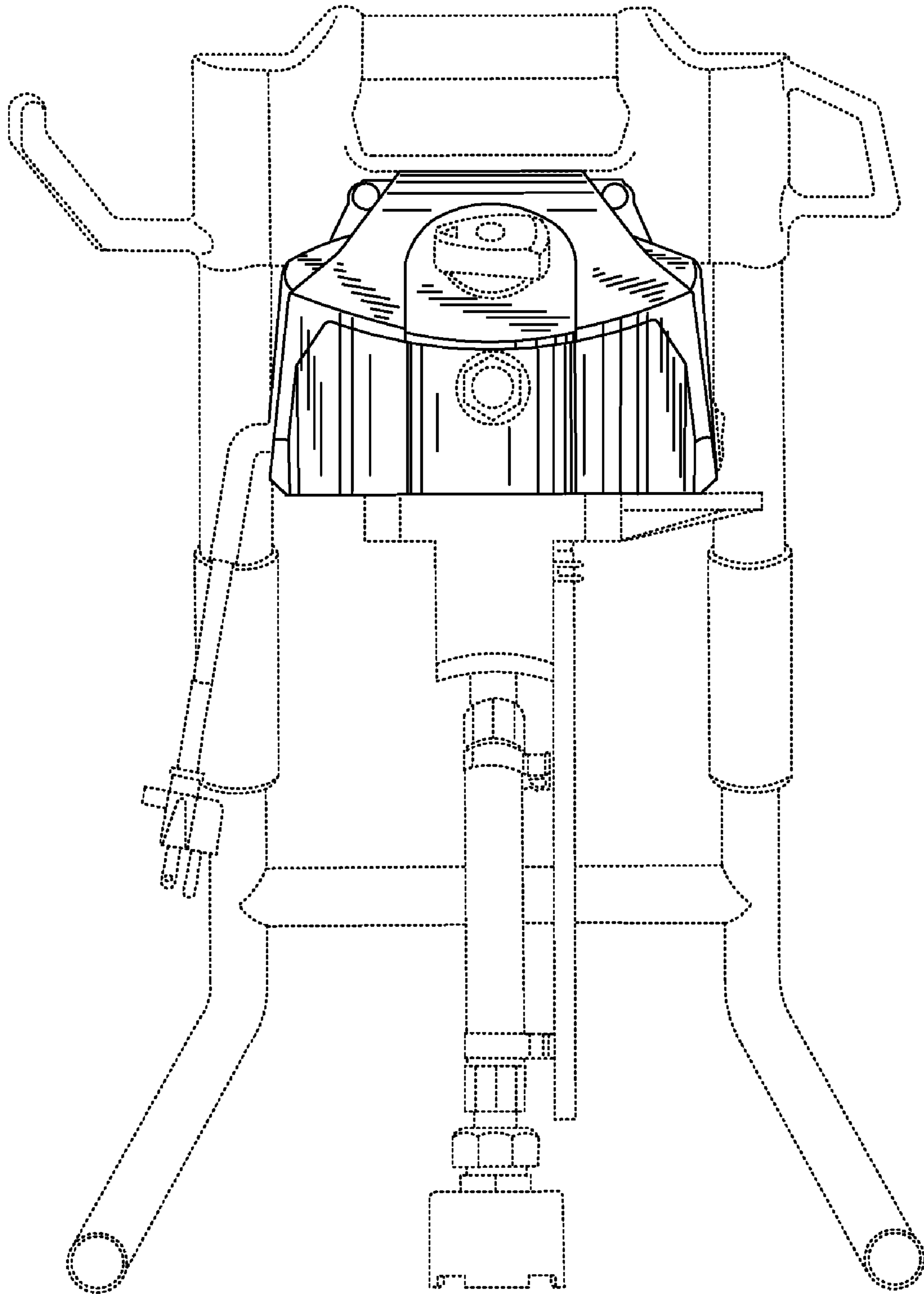


FIG. 4

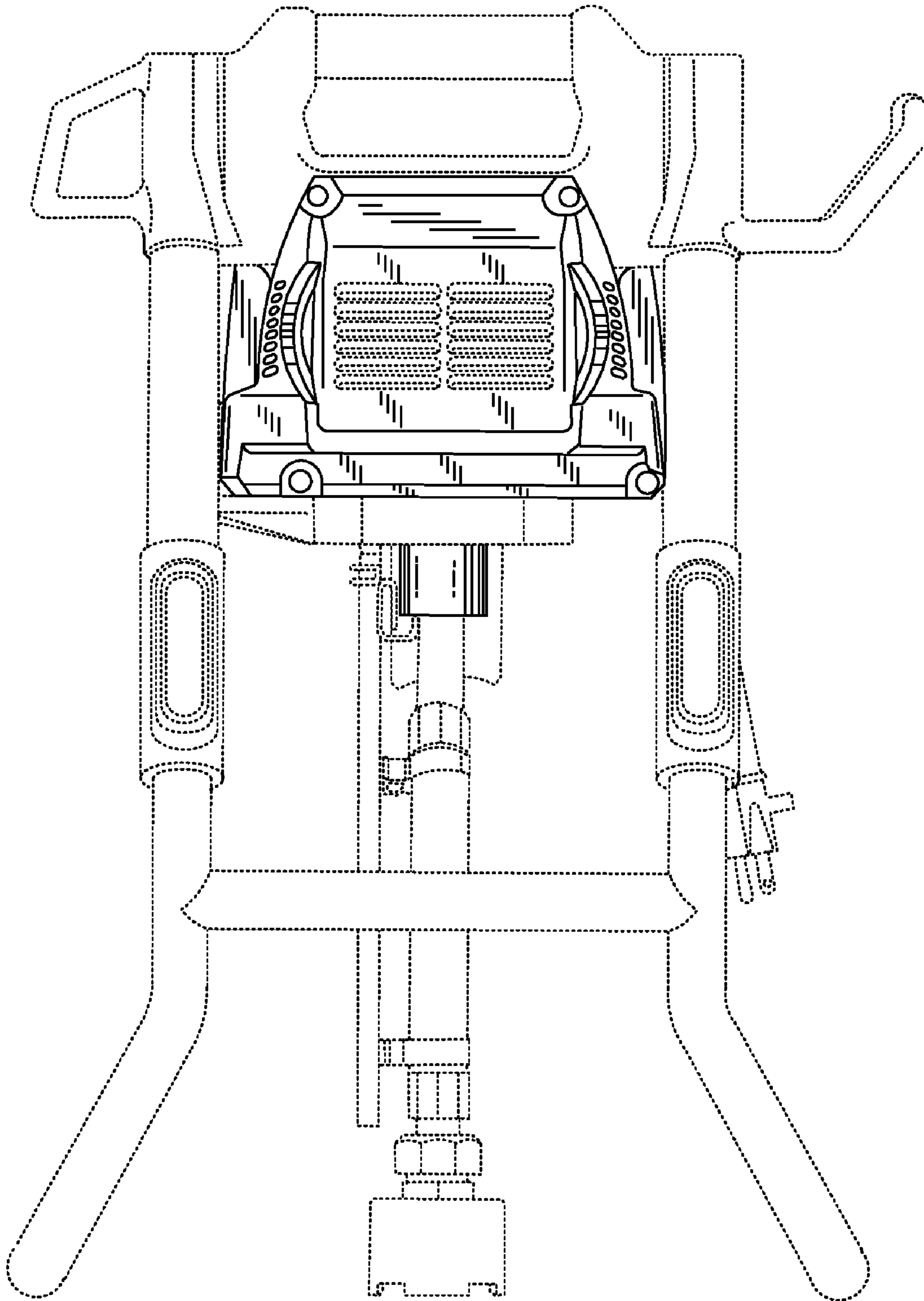


FIG. 5

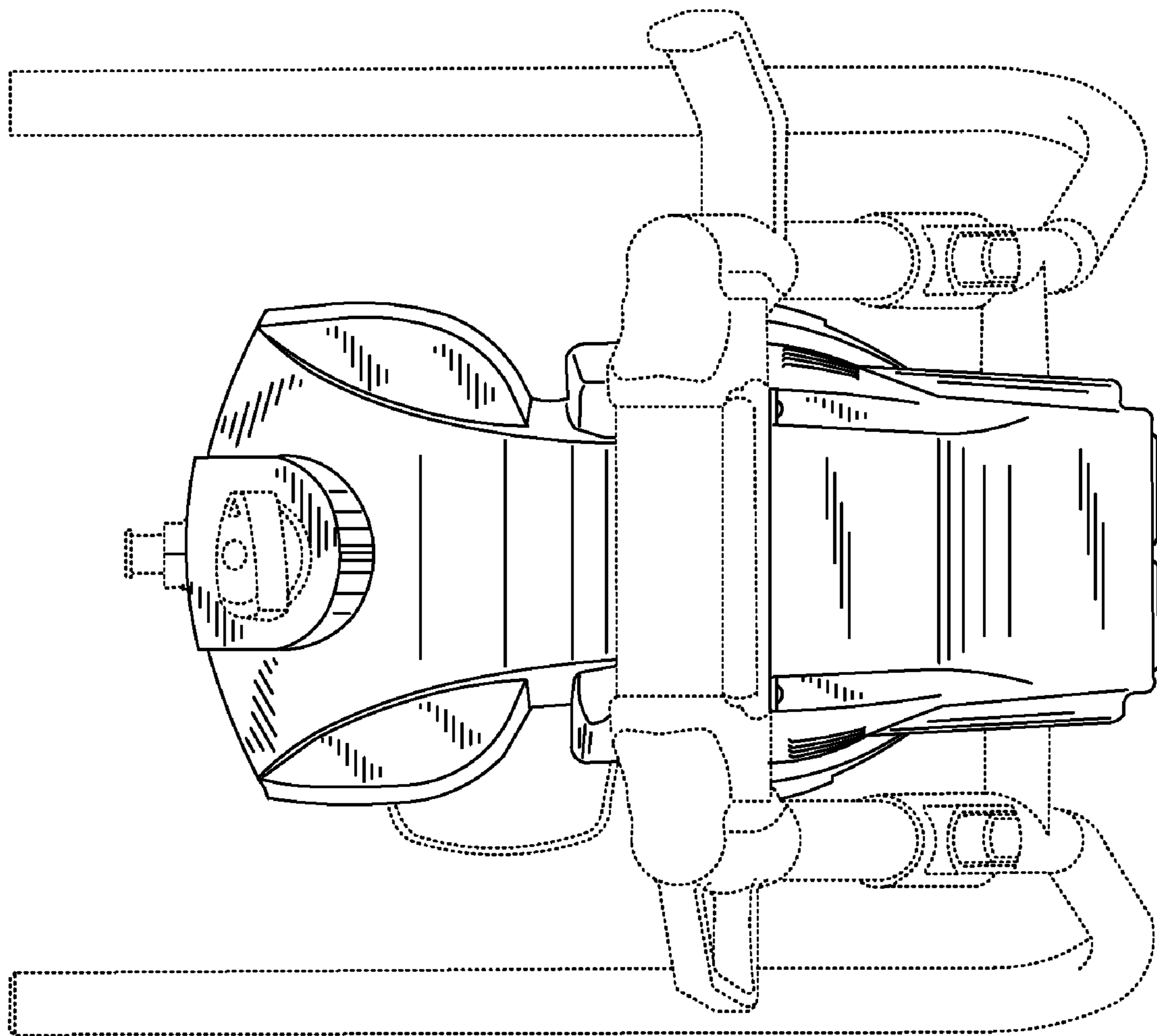


FIG. 6

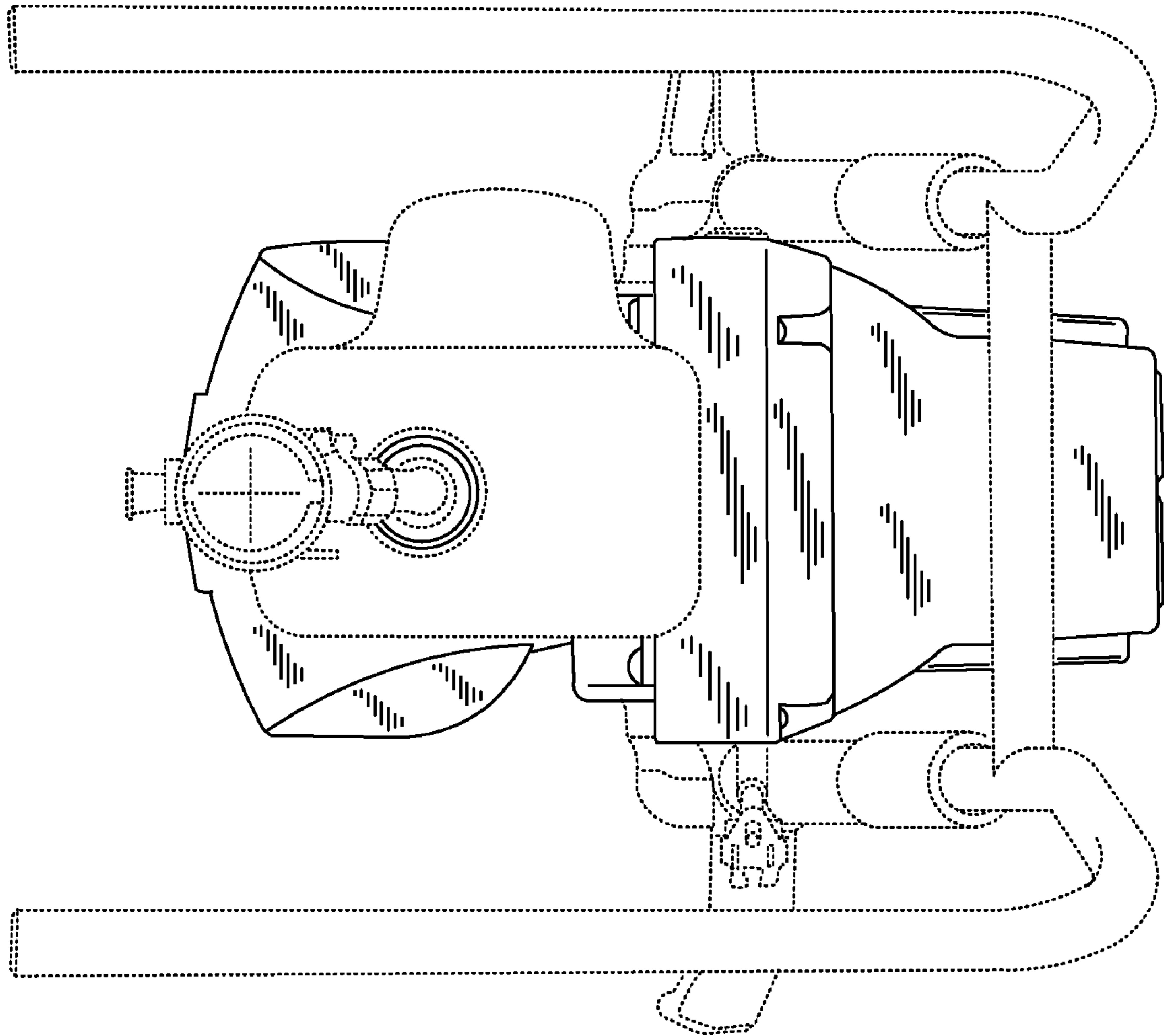


FIG. 7