



US00D639310S

(12) **United States Design Patent**
Peterson et al.

(10) **Patent No.:** **US D639,310 S**

(45) **Date of Patent:** **** Jun. 7, 2011**

(54) **FLUID DELIVERY SYSTEM**

(75) Inventors: **Craig L. Peterson**, Carver, MN (US);
Ross D. Rossner, St. Michael, MN (US);
Philip J. Nathan, West Hartford, CT
(US)

(73) Assignee: **Wagner Spray Tech Corporation**,
Plymouth, MN (US)

(**) Term: **14 Years**

(21) Appl. No.: **29/358,447**

(22) Filed: **Mar. 26, 2010**

(51) **LOC (9) Cl.** **15-02**

(52) **U.S. Cl.** **D15/7**

(58) **Field of Classification Search** D15/7-9;
D23/231, 232, 225; 417/410.1, 359, 415-416,
417/234, 321, 265, 405

See application file for complete search history.

(56) **References Cited**

U.S. PATENT DOCUMENTS

D227,168 S 6/1973 Chase et al.
D289,402 S * 4/1987 Carlson et al. D15/7
5,094,591 A * 3/1992 Whitley et al. 417/234

D340,724 S 10/1993 Mariol
D340,727 S 10/1993 Anderson et al.
D351,602 S * 10/1994 Rosebraugh et al. D15/7
D398,614 S 9/1998 Kartinen
D510,938 S 10/2005 Thomas et al.
D611,867 S 3/2010 Peterson et al.

* cited by examiner

Primary Examiner — Ralf Seifert

(74) *Attorney, Agent, or Firm* — Christopher J. Volkmann;
Westman, Champlin & Kelly, P.A.

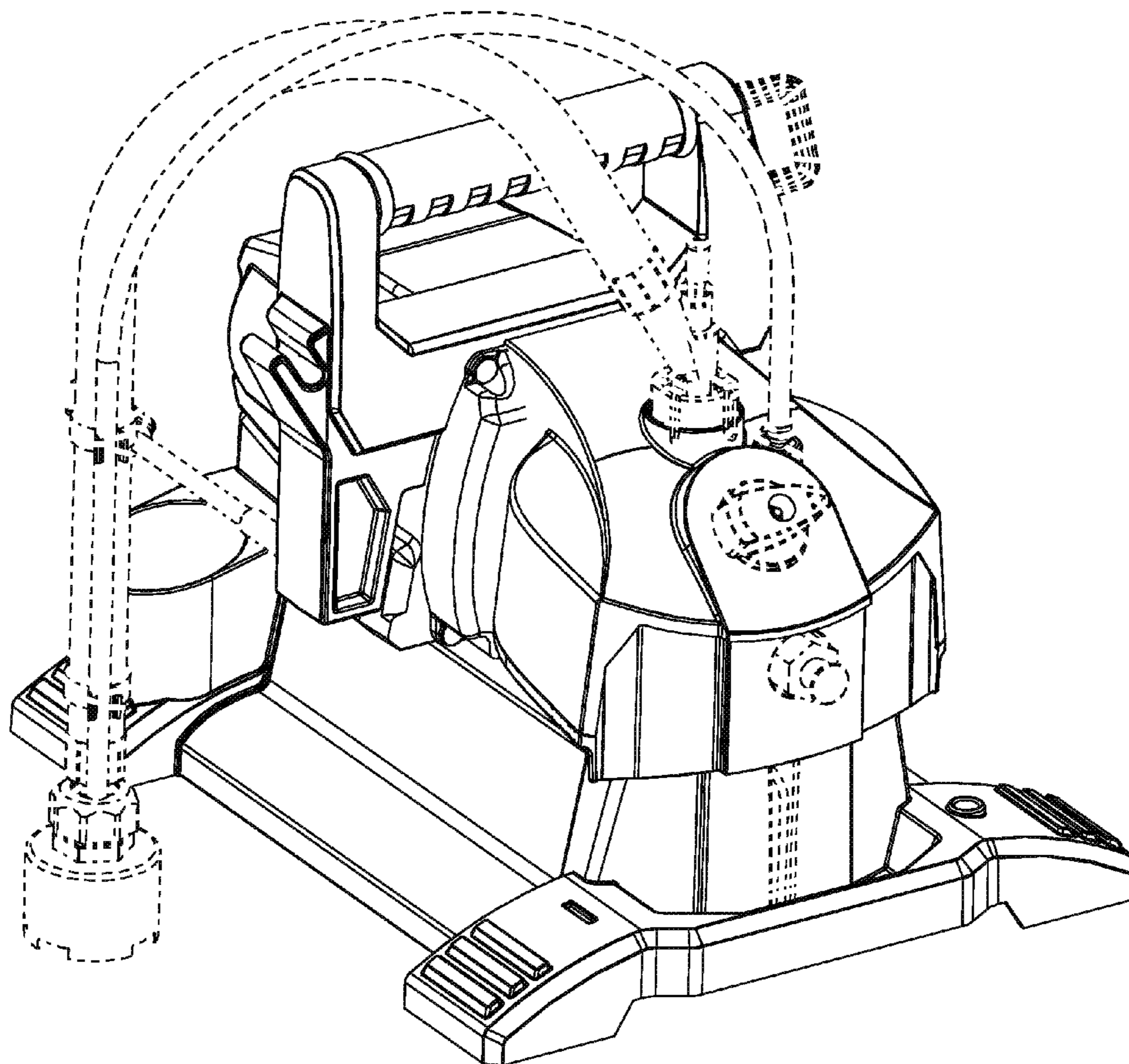
(57) **CLAIM**

The ornamental design for a fluid delivery system, as shown
and described

DESCRIPTION

FIG. 1 is a perspective view of the fluid delivery system.
FIG. 2 is a left side view of the fluid delivery system.
FIG. 3 is a right side view of the fluid delivery system.
FIG. 4 is a front view of the fluid delivery system.
FIG. 5 is a back view of the fluid delivery system.
FIG. 6 is a top view of the fluid delivery system; and,
FIG. 7 is a bottom view of the fluid delivery system.
The details shown in broken lines in FIGS. 1-7 form no part of
the claimed design.

1 Claim, 7 Drawing Sheets



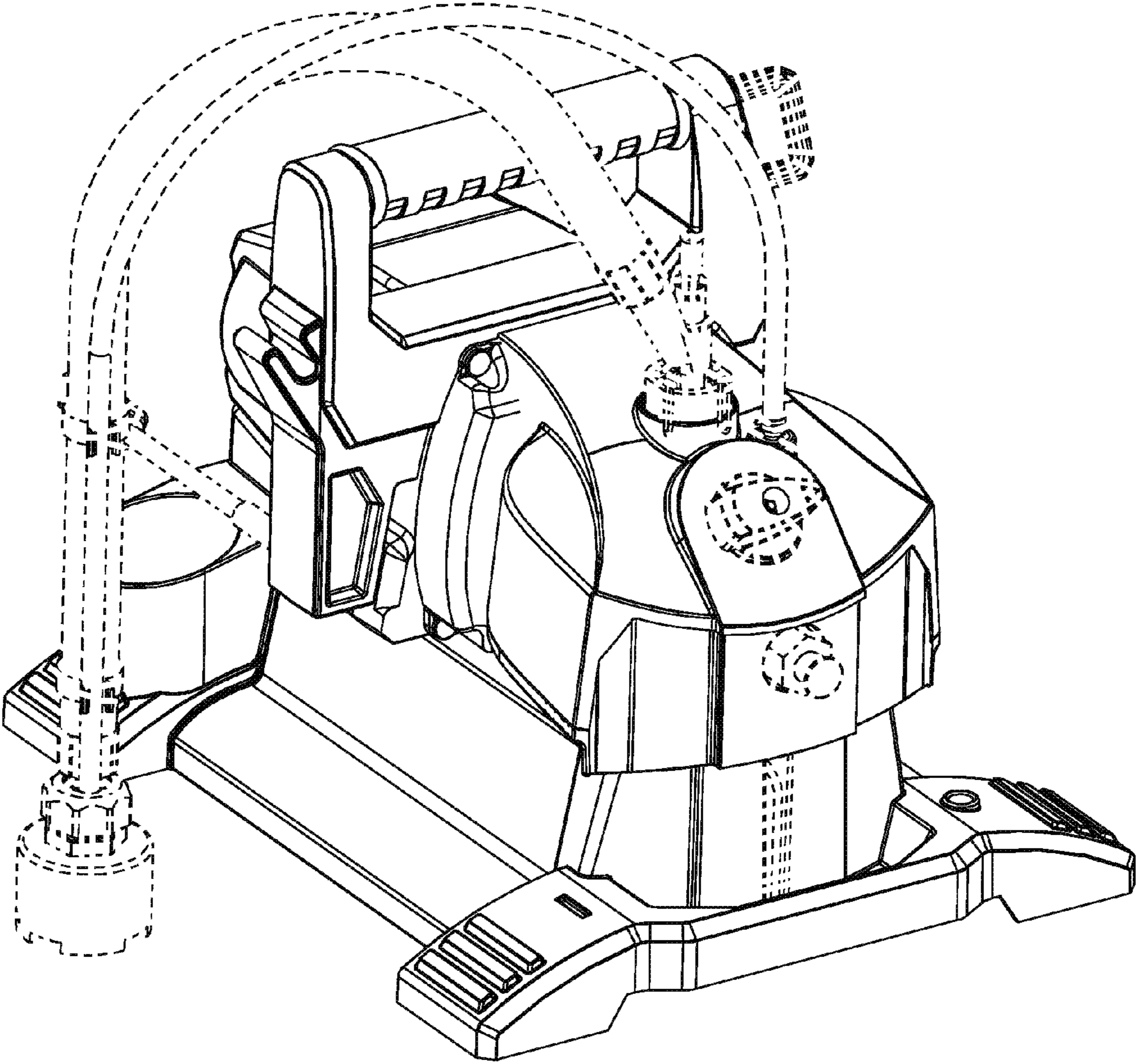


FIG. 1

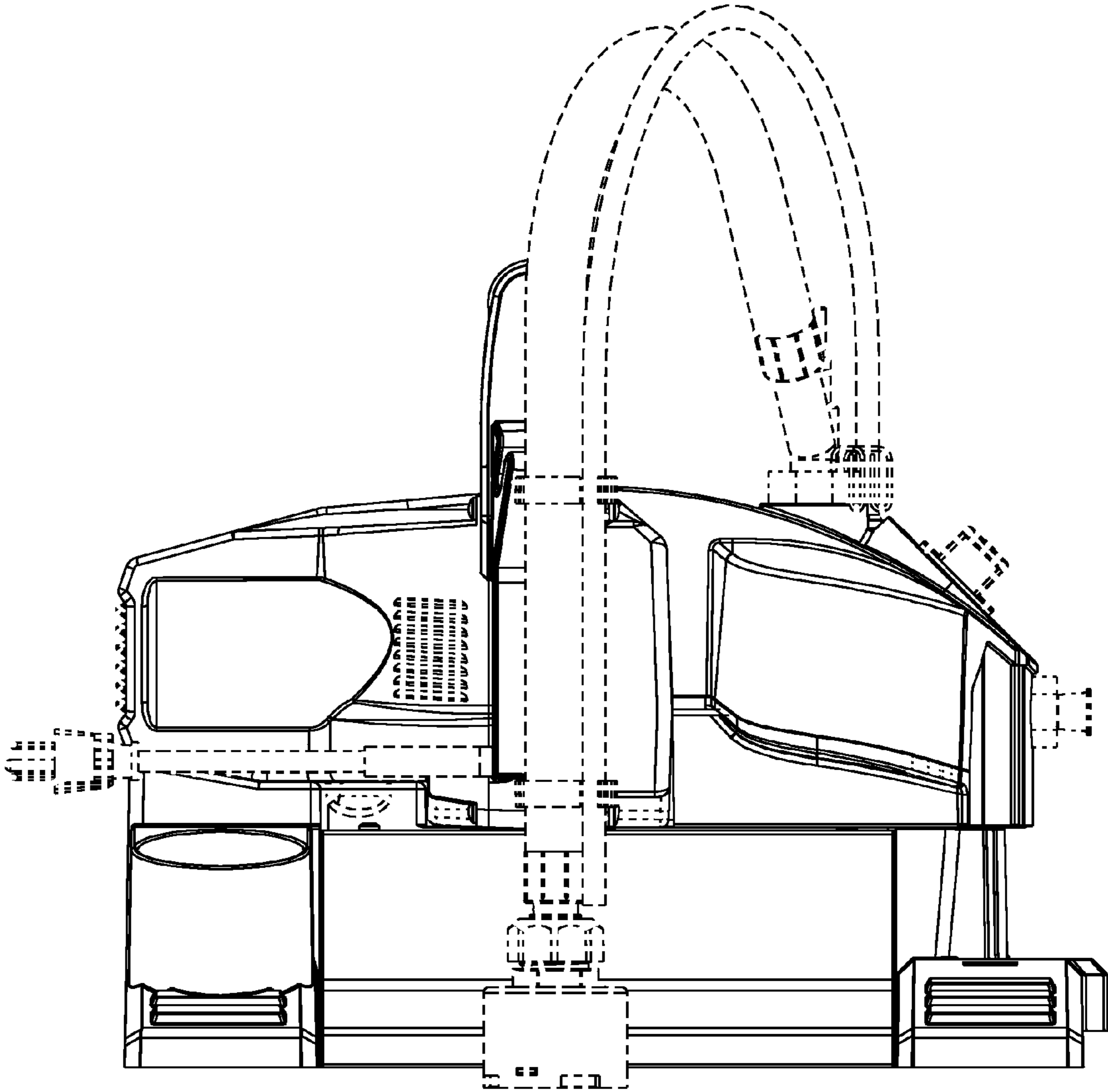


FIG. 2

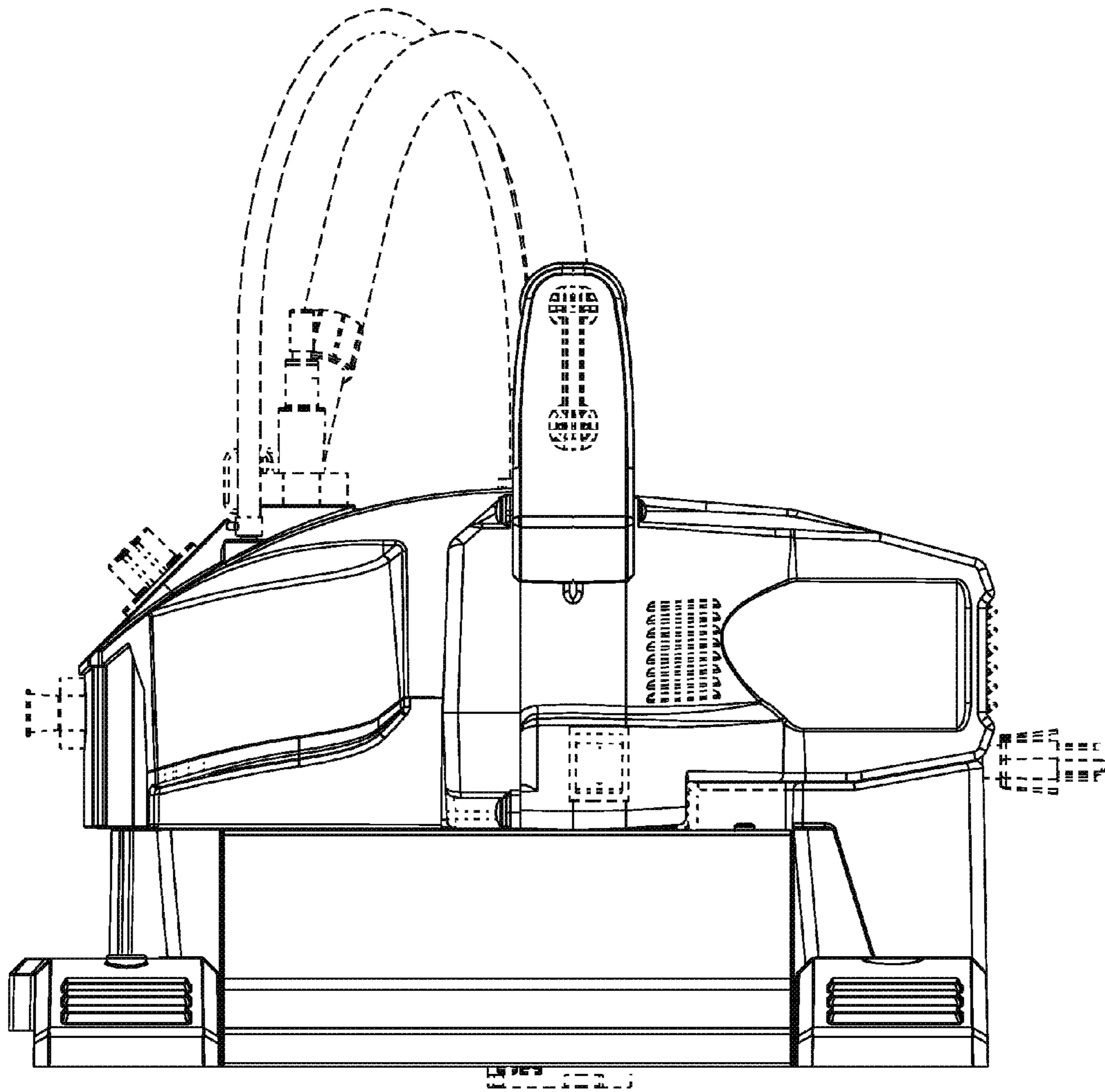


FIG. 3

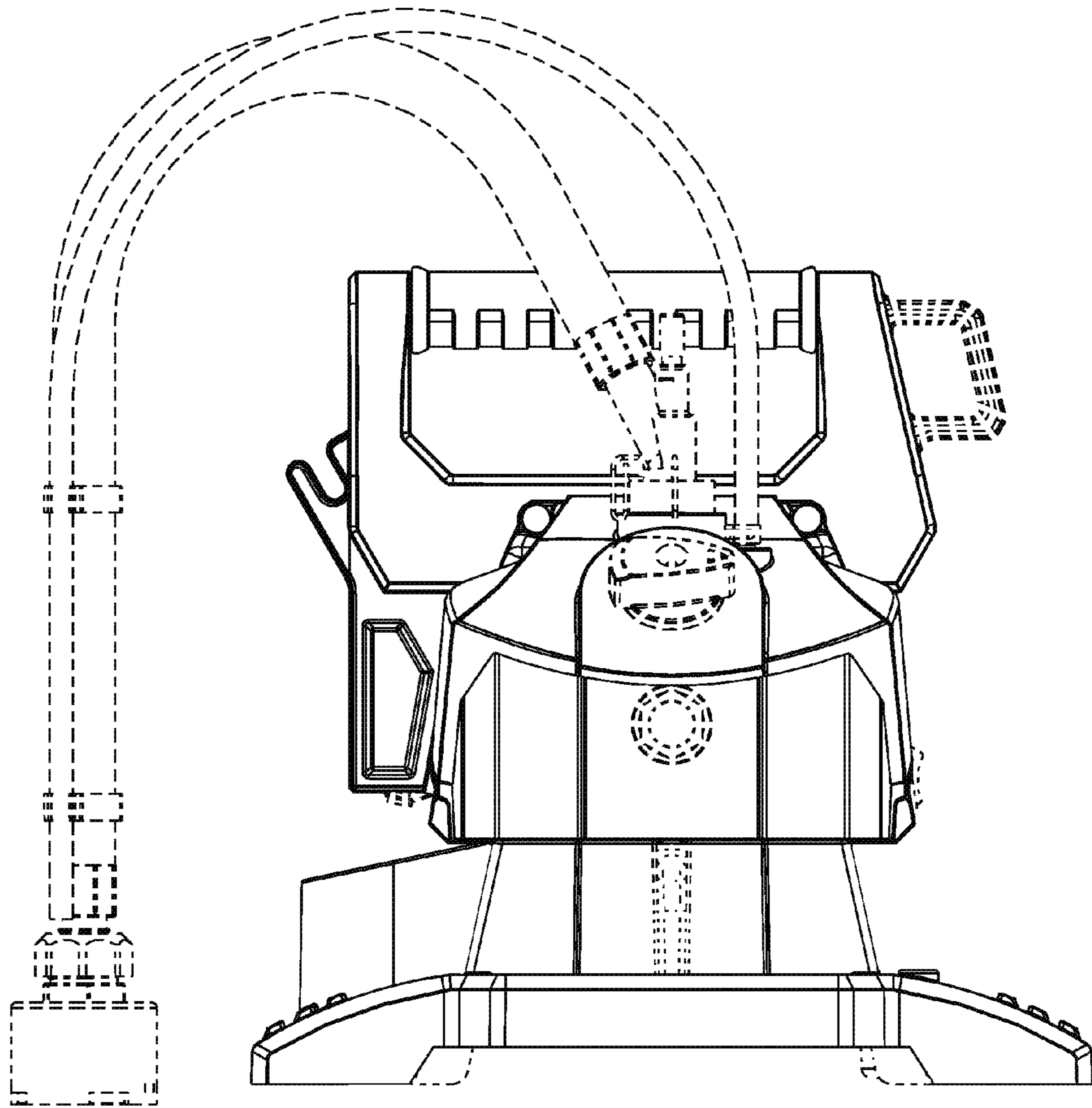


FIG. 4

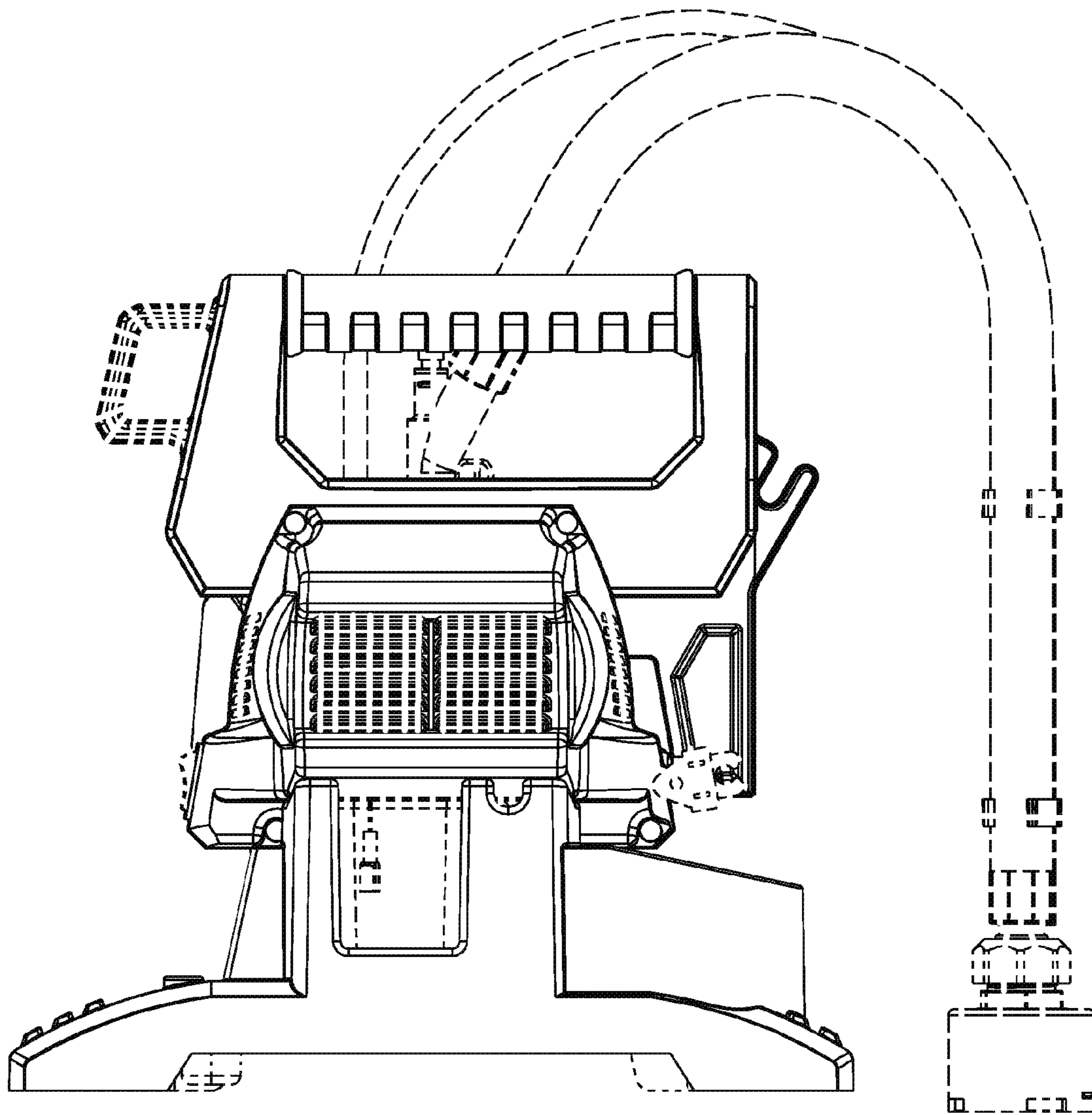


FIG. 5

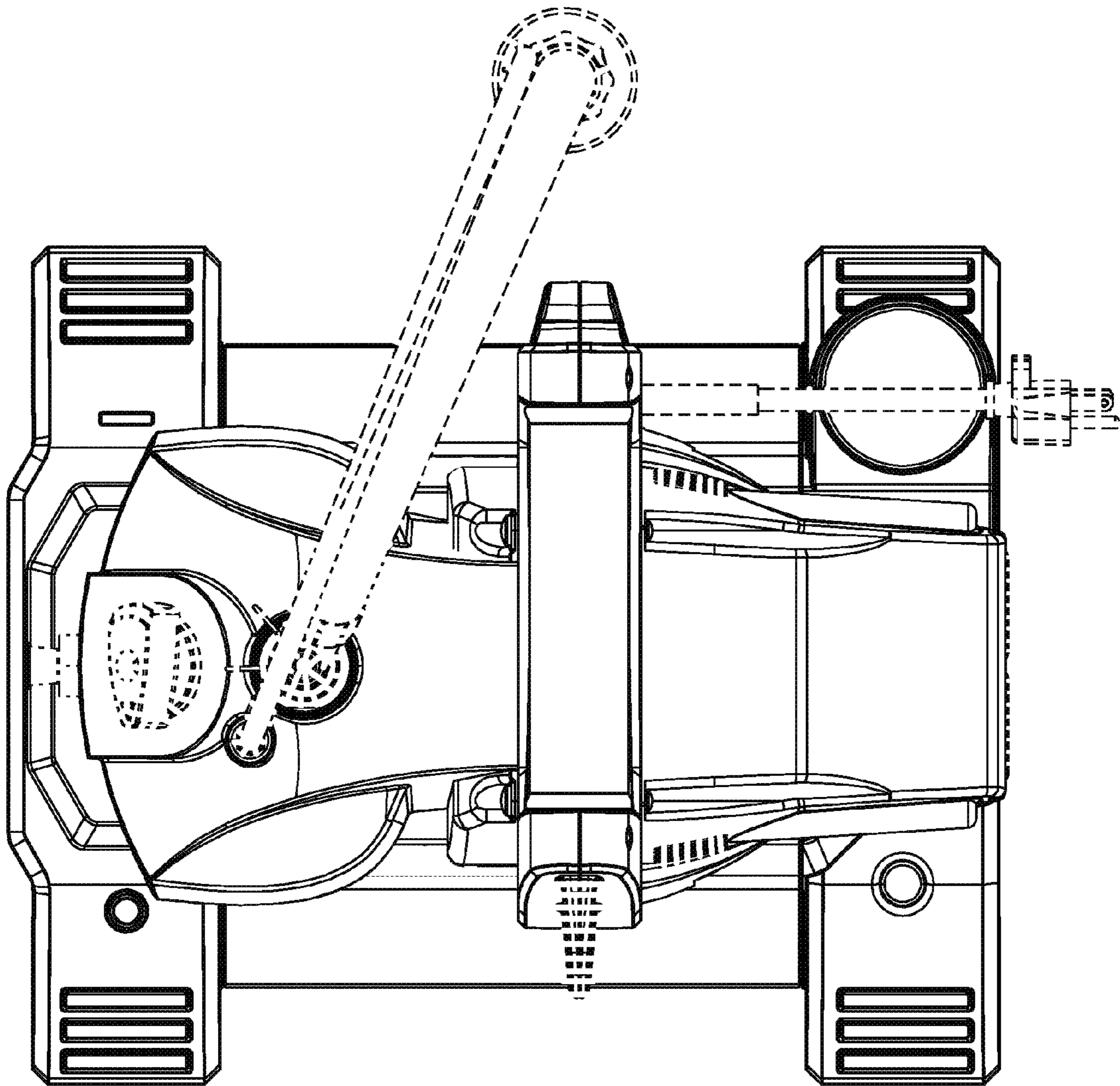


FIG. 6

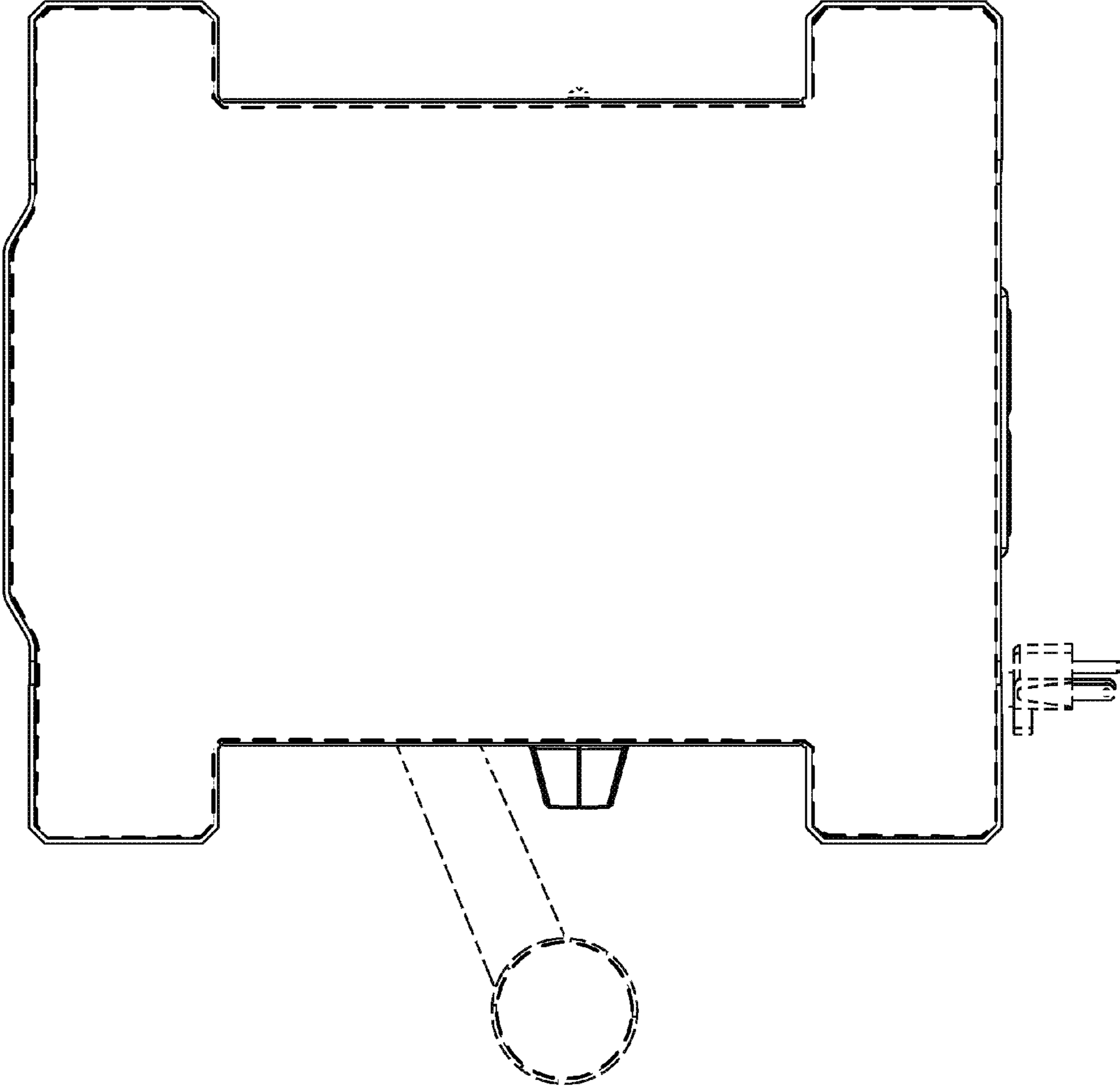


FIG. 7