

US00D639307S

(12) **United States Design Patent**
Lee et al.

(10) **Patent No.:** **US D639,307 S**
(45) **Date of Patent:** **** Jun. 7, 2011**

(54) **DVD PLAYER**

(75) Inventors: **Chang Hun Lee**, Seoul (KR); **Bo Hyun Nam**, Seoul (KR)

(73) Assignee: **LG Electronics Inc.**, Seoul (KR)

(**) Term: **14 Years**

(21) Appl. No.: **29/359,218**

(22) Filed: **Apr. 7, 2010**

(30) **Foreign Application Priority Data**

Oct. 8, 2009 (KR) 30-2009-0044188

(51) **LOC (9) Cl.** **14-01**

(52) **U.S. Cl.** **D14/500**

(58) **Field of Classification Search** D14/496,
D14/498-505, 137, 157, 168, 188, 197-198,
D14/257-258; 360/99.02, 99.07; 369/75.11,
369/75.21, 77.11, 77.21; 720/601, 612, 619,
720/647, 649, 655; 455/344, 347-351

See application file for complete search history.

(56) **References Cited**

U.S. PATENT DOCUMENTS

D412,905 S *	8/1999	Miyazaki et al.	D14/502
D530,690 S *	10/2006	Takahashi	D14/502
D531,151 S *	10/2006	Yoshida	D14/502
D539,770 S *	4/2007	Park	D14/505
D547,285 S *	7/2007	Yoshida	D14/502

* cited by examiner

Primary Examiner — Nanda Bondade

(74) *Attorney, Agent, or Firm* — Morgan, Lewis & Bockius LLP

(57) **CLAIM**

The ornamental design for a DVD player, as shown and described.

DESCRIPTION

FIG. 1 is a perspective view of a DVD player showing our new design;
FIG. 2 is a front view thereof;
FIG. 3 is a rear view thereof;
FIG. 4 is a left side view thereof where the right side view is a mirror image;
FIG. 5 is a top plan view thereof;
FIG. 6 is a bottom plan view thereof; and,
FIG. 7 is a perspective view thereof.

1 Claim, 5 Drawing Sheets

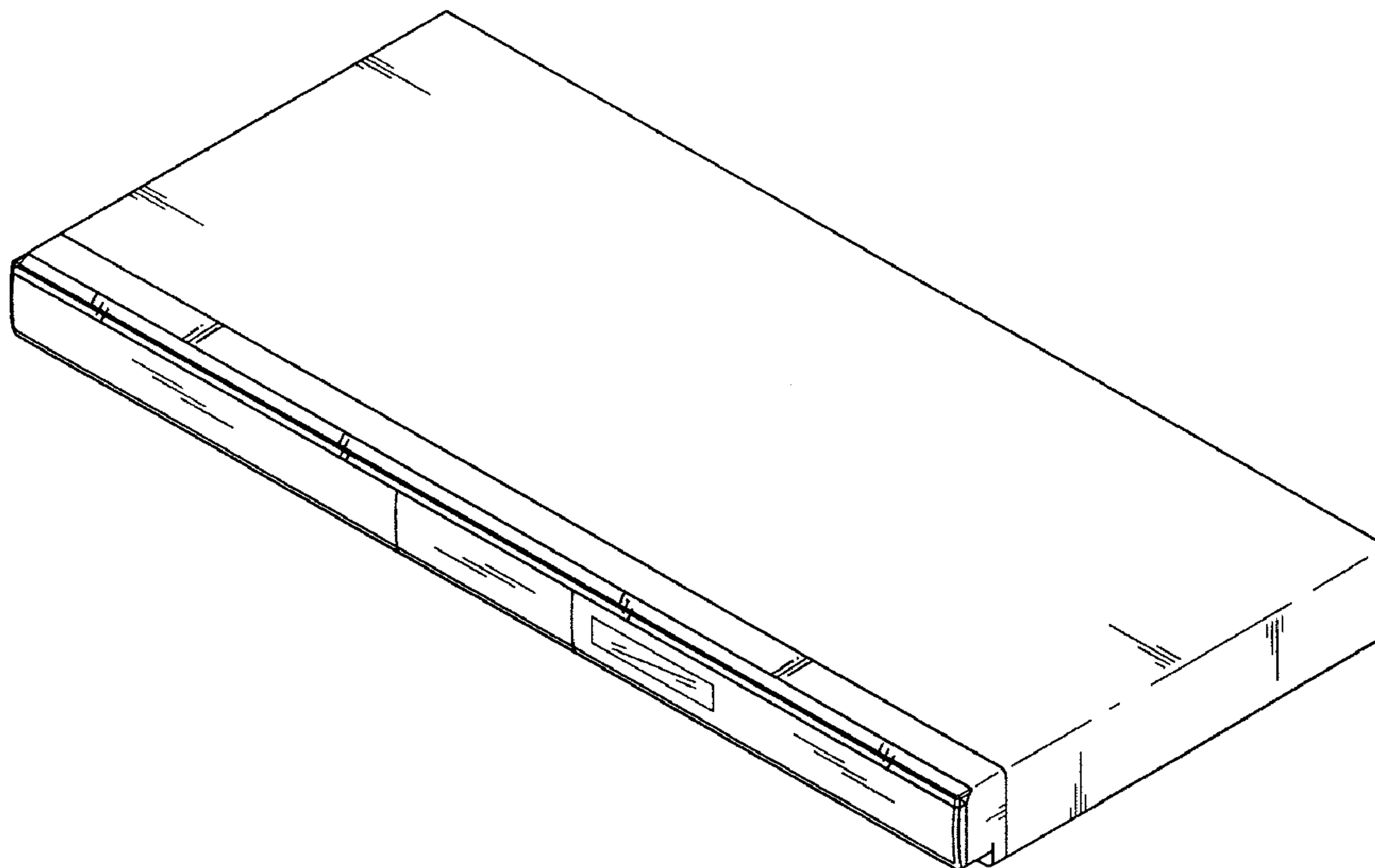


FIG. 1

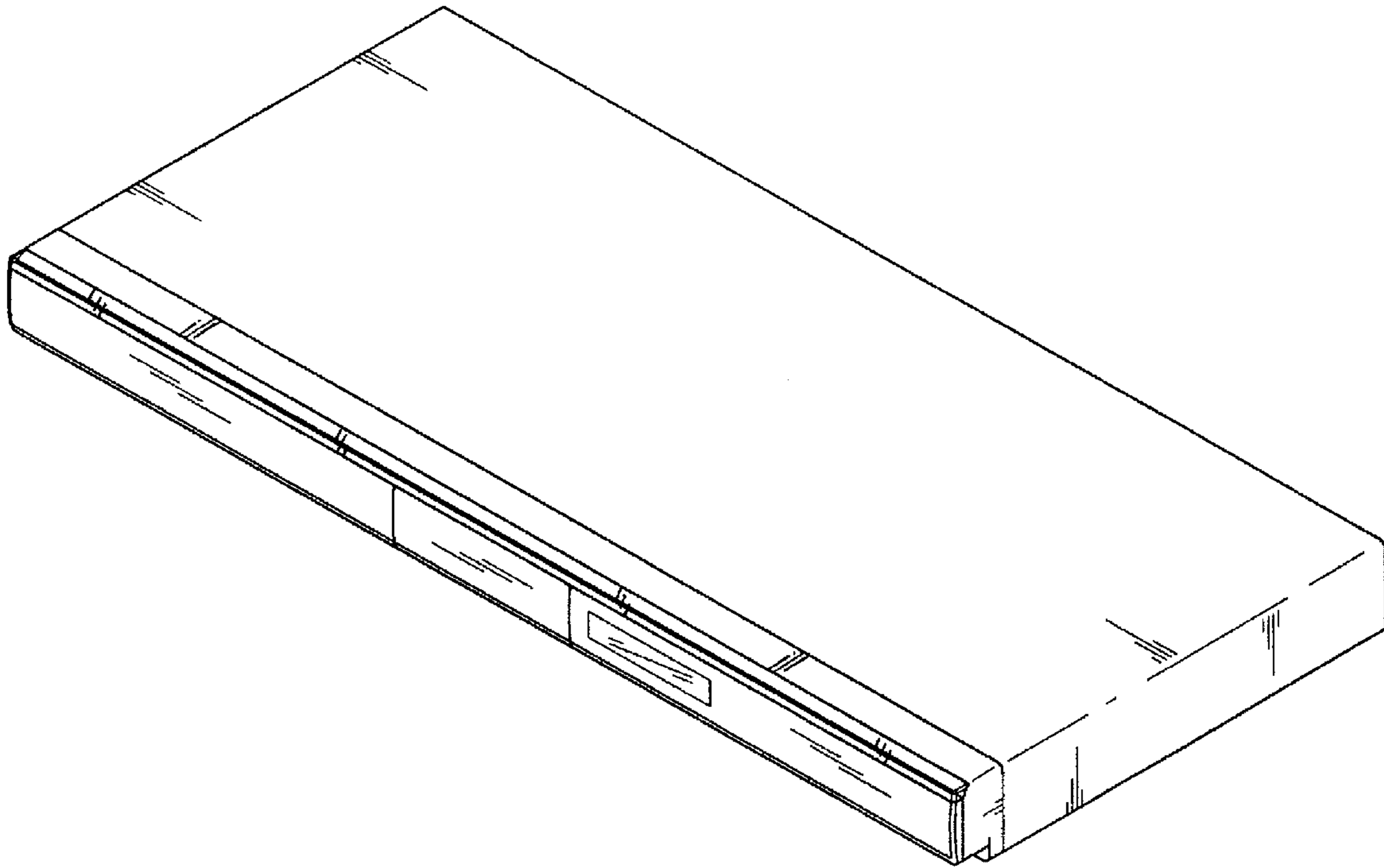


FIG. 2

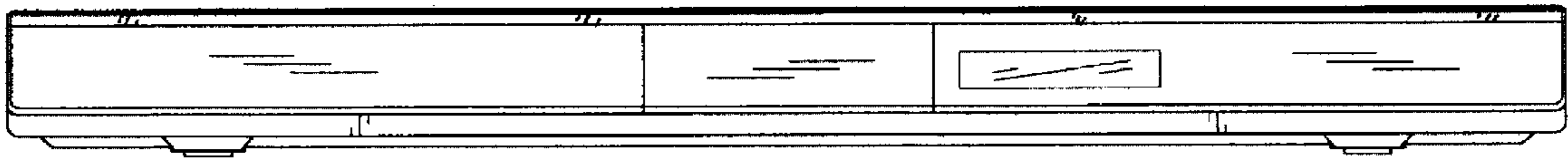


FIG. 3

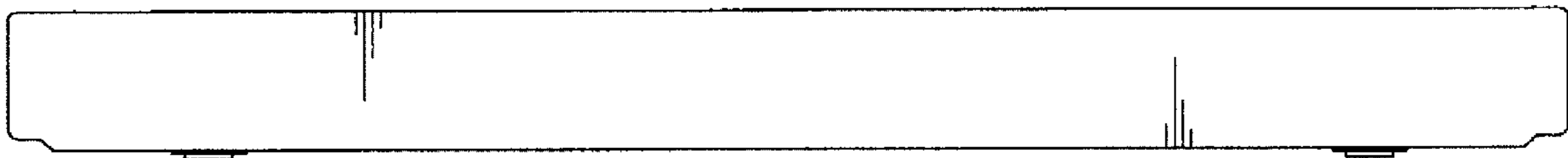


FIG. 4

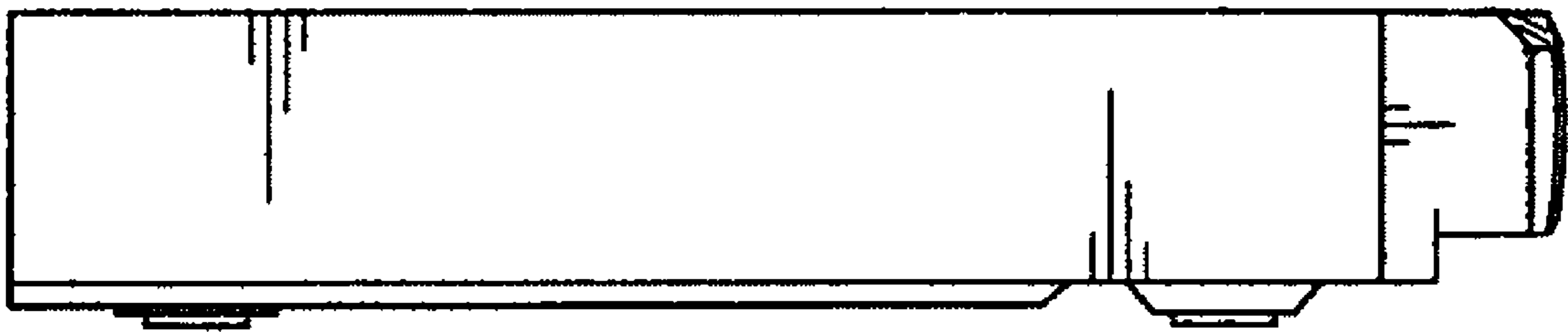


FIG. 5

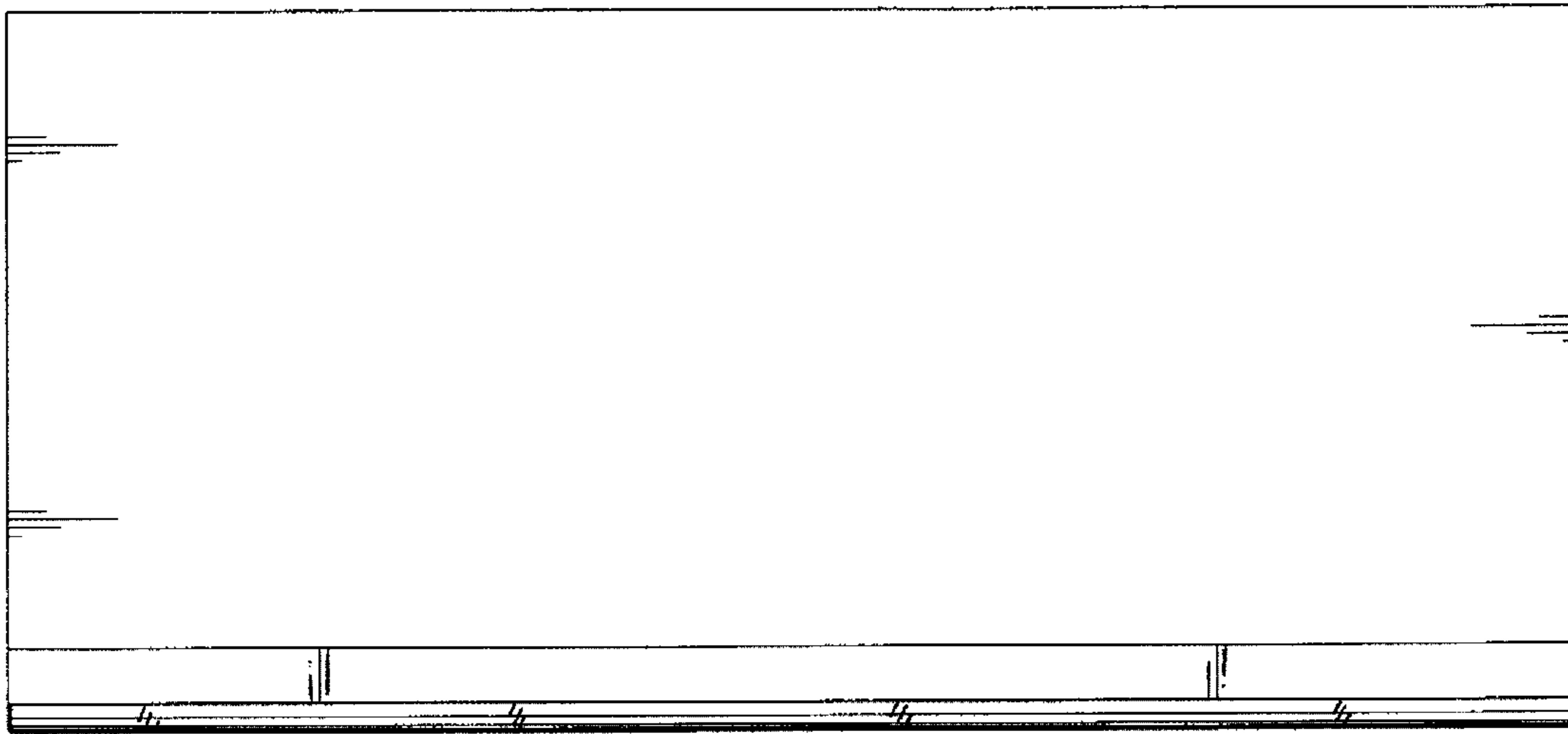


FIG. 6

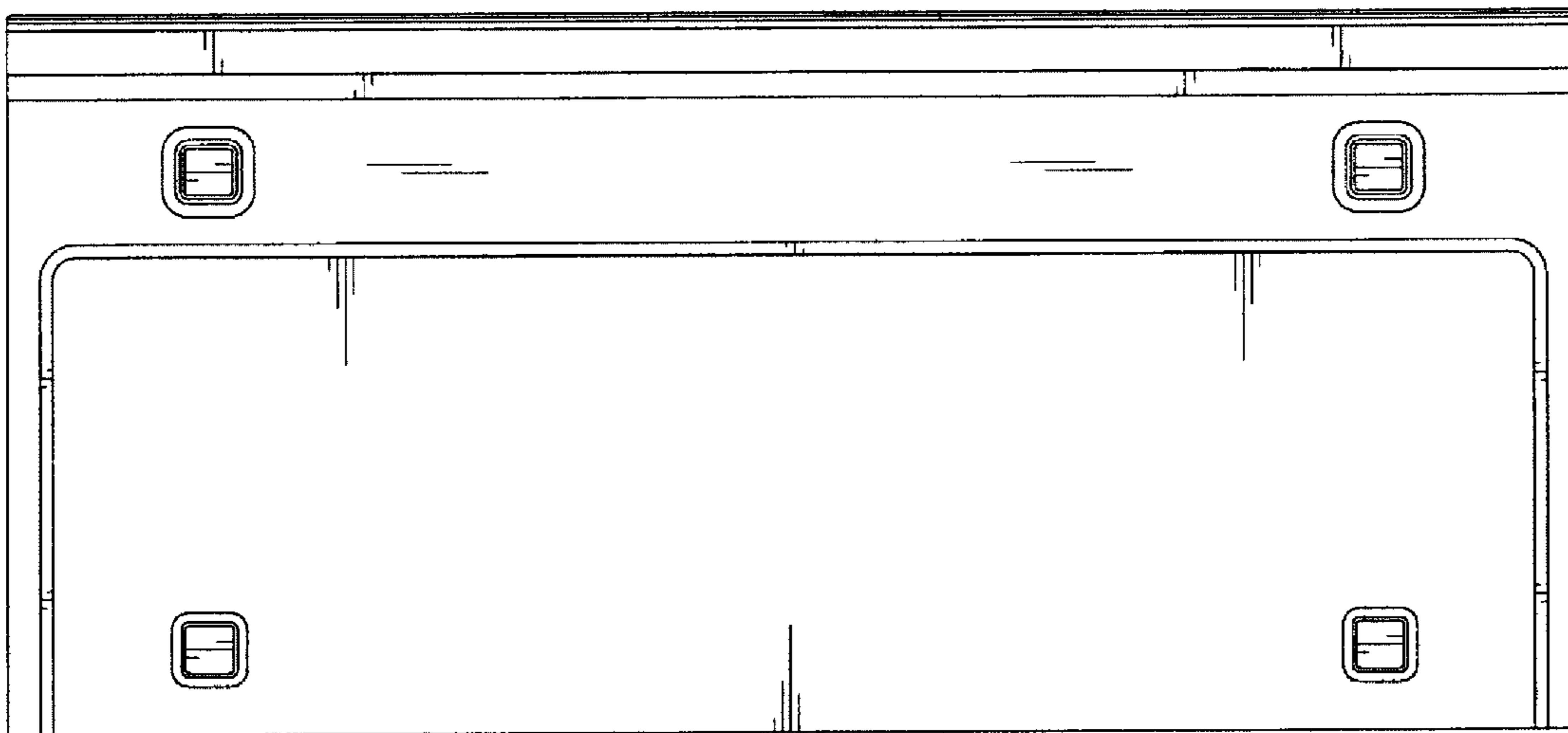


FIG. 7

