



US00D639296S

(12) **United States Design Patent**
Tseng et al.

(10) **Patent No.:** **US D639,296 S**
(45) **Date of Patent:** **** Jun. 7, 2011**

(54) **TABLET PERSONAL COMPUTER**

(75) Inventors: **Ya-Hui Tseng**, Taipei (TW); **Chia-An Chen**, Taipei (TW); **Hong-Tien Wang**, Taipei (TW); **Fan-Yi Chan**, Taipei (TW); **Yueh-Han Wu**, Taipei (TW)

(73) Assignee: **Compal Electronics Inc.**, Taipei (TW)

(**) Term: **14 Years**

(21) Appl. No.: **29/375,299**

(22) Filed: **Sep. 20, 2010**

(51) **LOC (9) Cl.** **14-02**

(52) **U.S. Cl.** **D14/345**

(58) **Field of Classification Search** D14/341-347, D14/137, 138, 138.1, 138 AA, 138 R, 138 AB, D14/138 C, 138 G, 496, 203.1, 203.3, 203.4, D14/203.7, 426, 427, 428, 429, 130, 420, D14/439-441, 448, 125, 147, 156, 218, 389, D14/336, 315, 432, 129, 247-248, 250, 388, D14/447; D10/65, 104; D21/324, 329, 330; D19/60; 345/169, 901, 905, 156, 173; 348/169; 361/804; 341/22, 23; 379/433.04, 433.07, 379/433.11, 916, 433.01, 433.06; D18/6, D18/7; 455/556.1, 556.2, 566, 575.1, 575.3, 455/575.4, 90.3

See application file for complete search history.

(56) **References Cited**

U.S. PATENT DOCUMENTS

D523,828	S	*	6/2006	Hoehn et al.	D14/126
D524,312	S	*	7/2006	Young	D14/375
D557,259	S	*	12/2007	Hirsch	D14/217
D562,320	S	*	2/2008	Kim	D14/375
D585,398	S	*	1/2009	Hwang	D14/130
D589,962	S	*	4/2009	Maruyama et al.	D14/432
D626,342	S	*	11/2010	Chadwick	D6/308
2004/0159762	A1	*	8/2004	Ghosh	248/351
2006/0211458	A1	*	9/2006	Pletikosa	455/575.3

* cited by examiner

Primary Examiner — Cathron C Brooks

Assistant Examiner — Barbara Fox

(74) *Attorney, Agent, or Firm* — Jianq Chyun IP Office

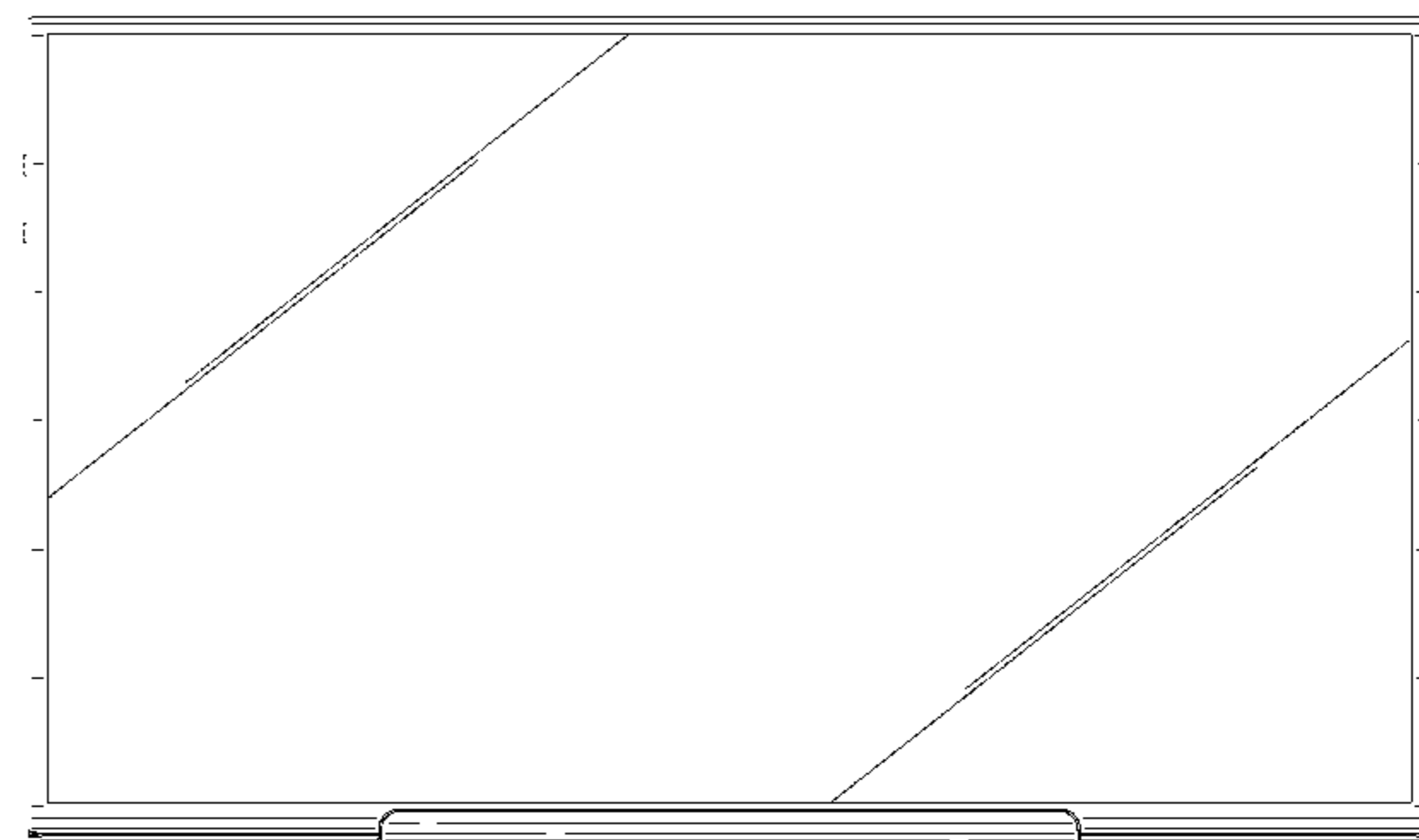
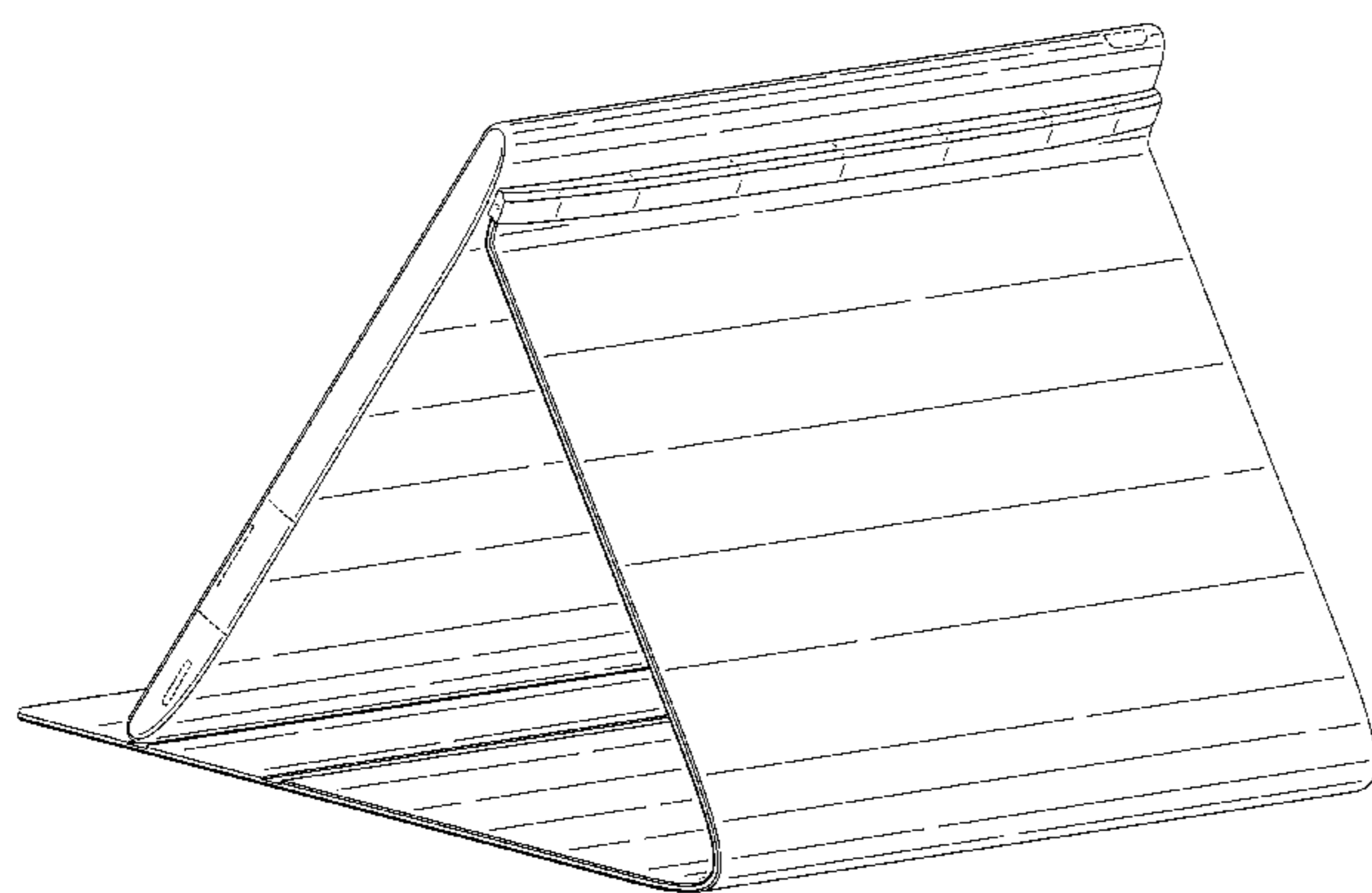
(57) **CLAIM**

The ornamental design for a tablet personal computer, as shown and described.

DESCRIPTION

FIG. 1 is a perspective view of a tablet personal computer showing our new design in high-stand mode; FIG. 2 is a front view thereof in high-stand mode; FIG. 3 is a rear view thereof in high-stand mode; FIG. 4 is a left side view thereof in high-stand mode; FIG. 5 is a right side view thereof in high-stand mode; FIG. 6 is a top view thereof in high-stand mode; FIG. 7 is a bottom view thereof in high-stand mode; FIG. 8 is a left side view thereof in low-stand mode; and, FIG. 9 is a left side view thereof in a closed mode. The broken lines in the drawings illustrate unclaimed portions of the tablet personal computer and form no part of the claimed design.

1 Claim, 8 Drawing Sheets



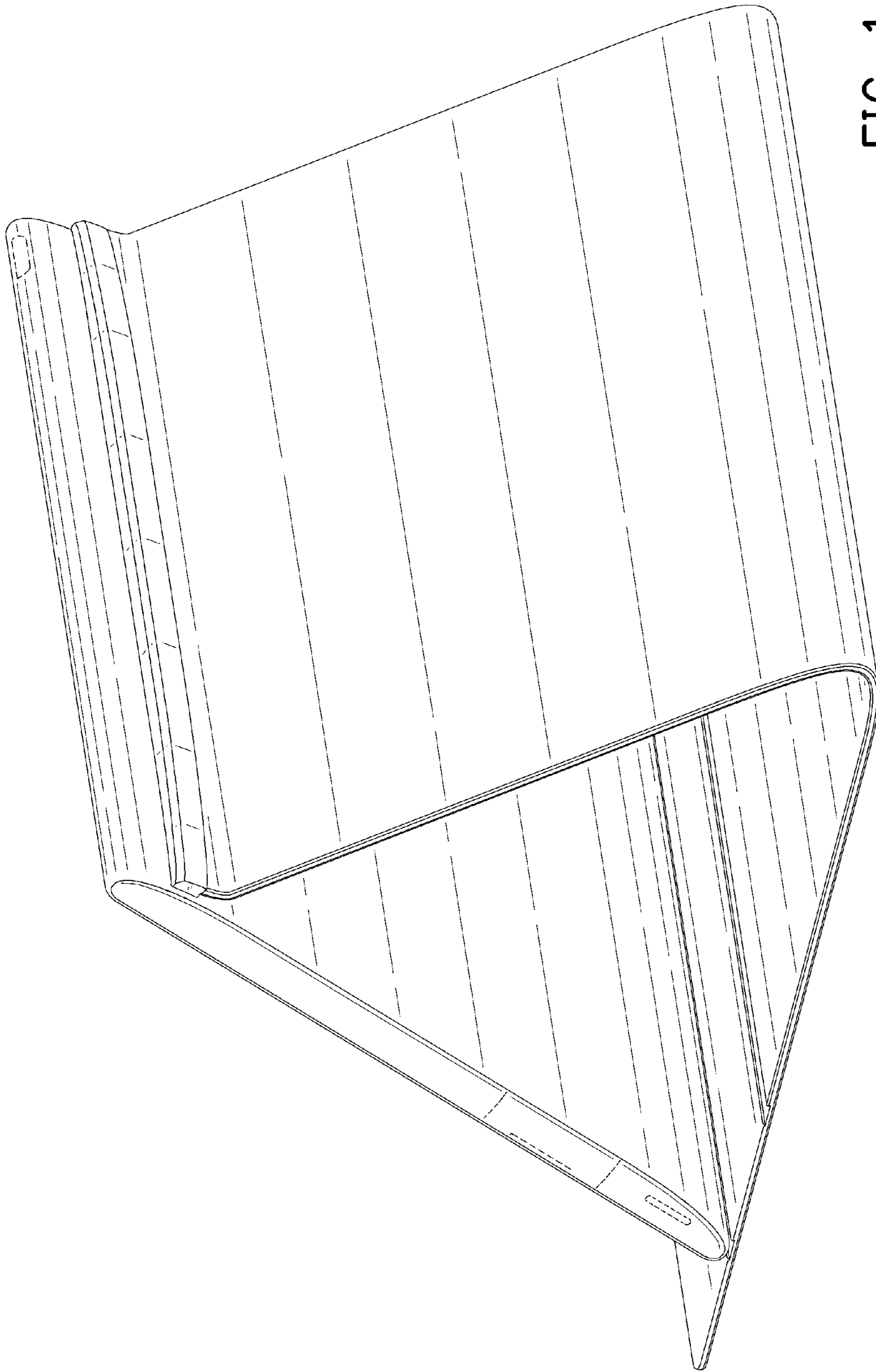


FIG. 1

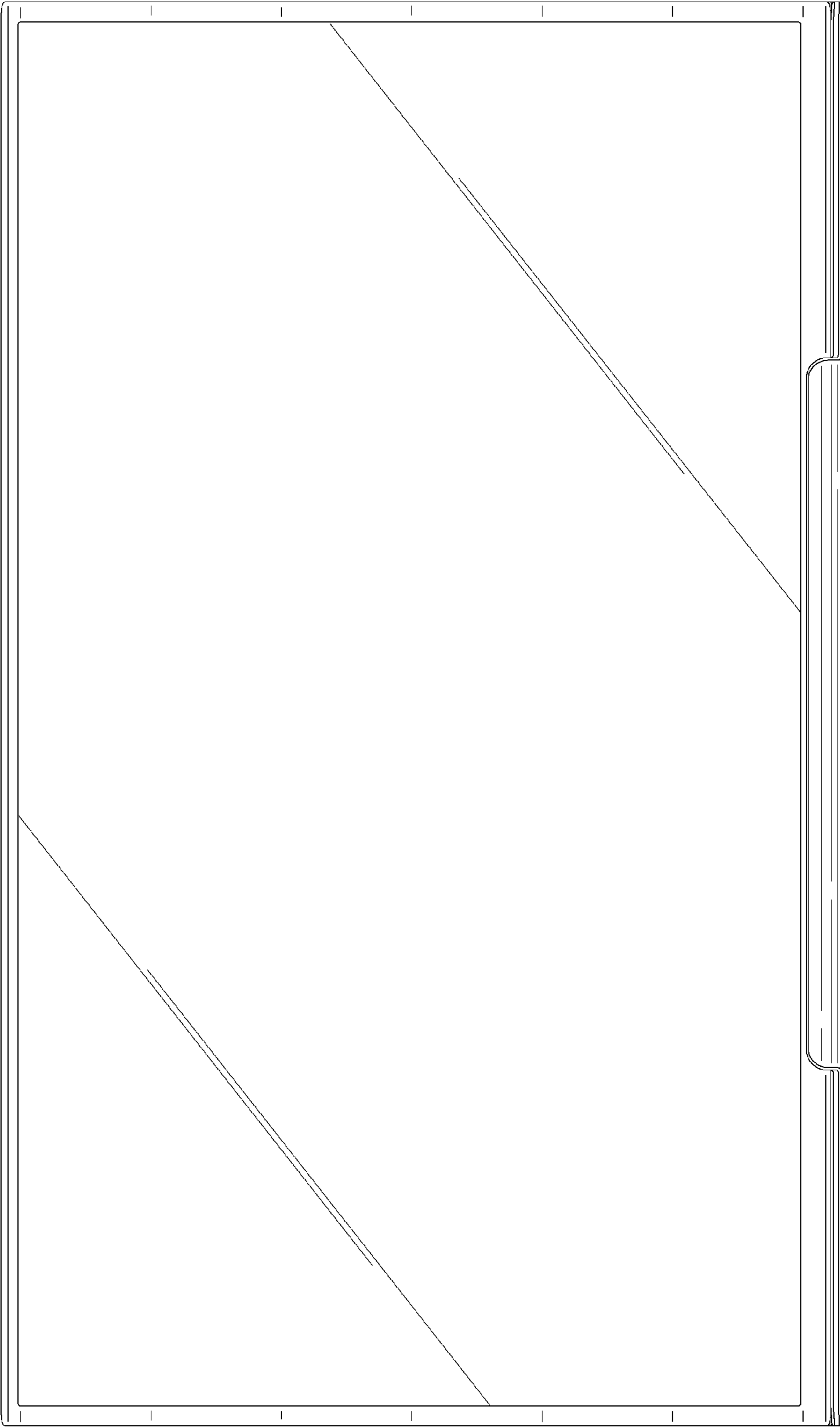


FIG. 2

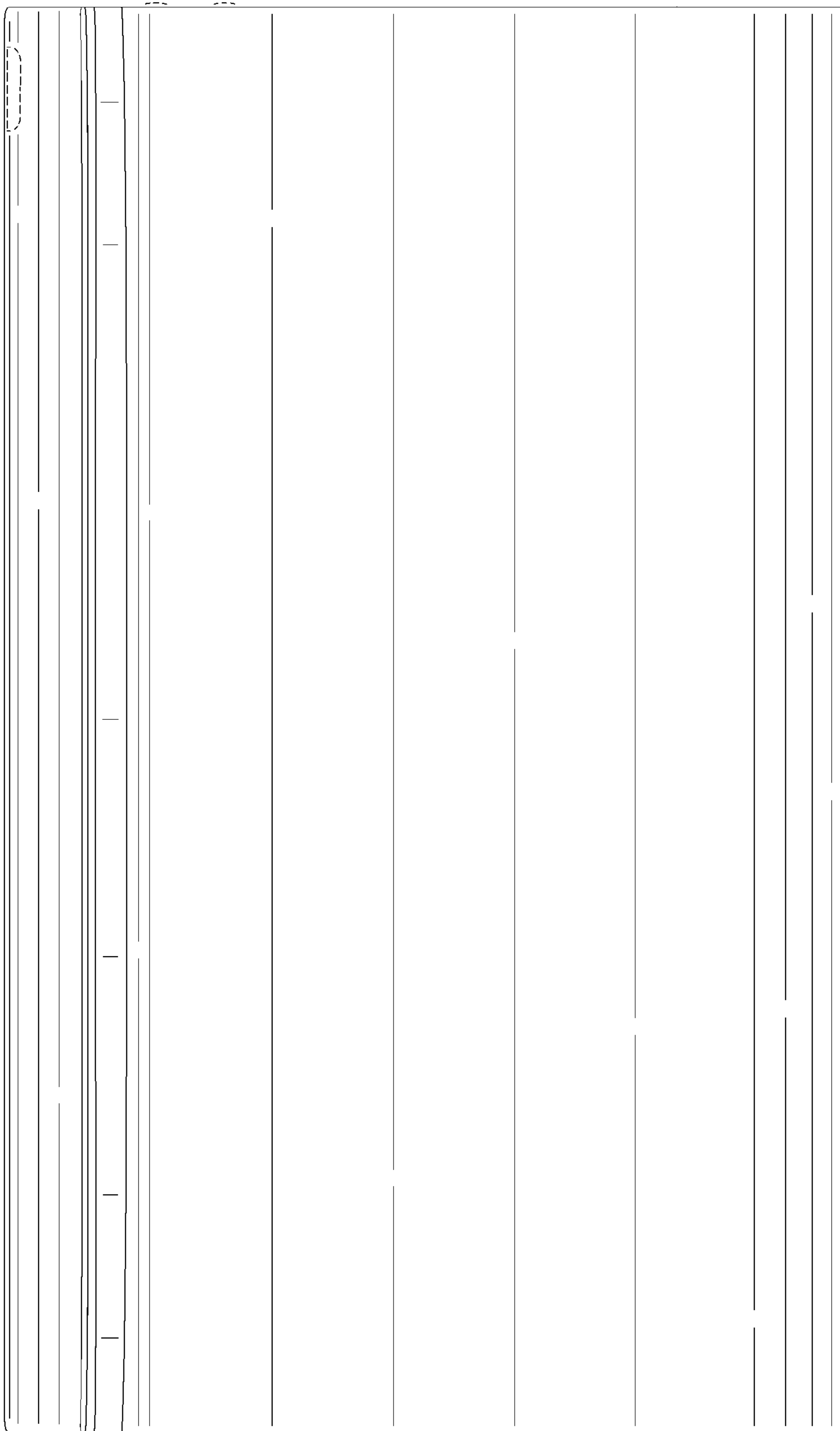


FIG. 3

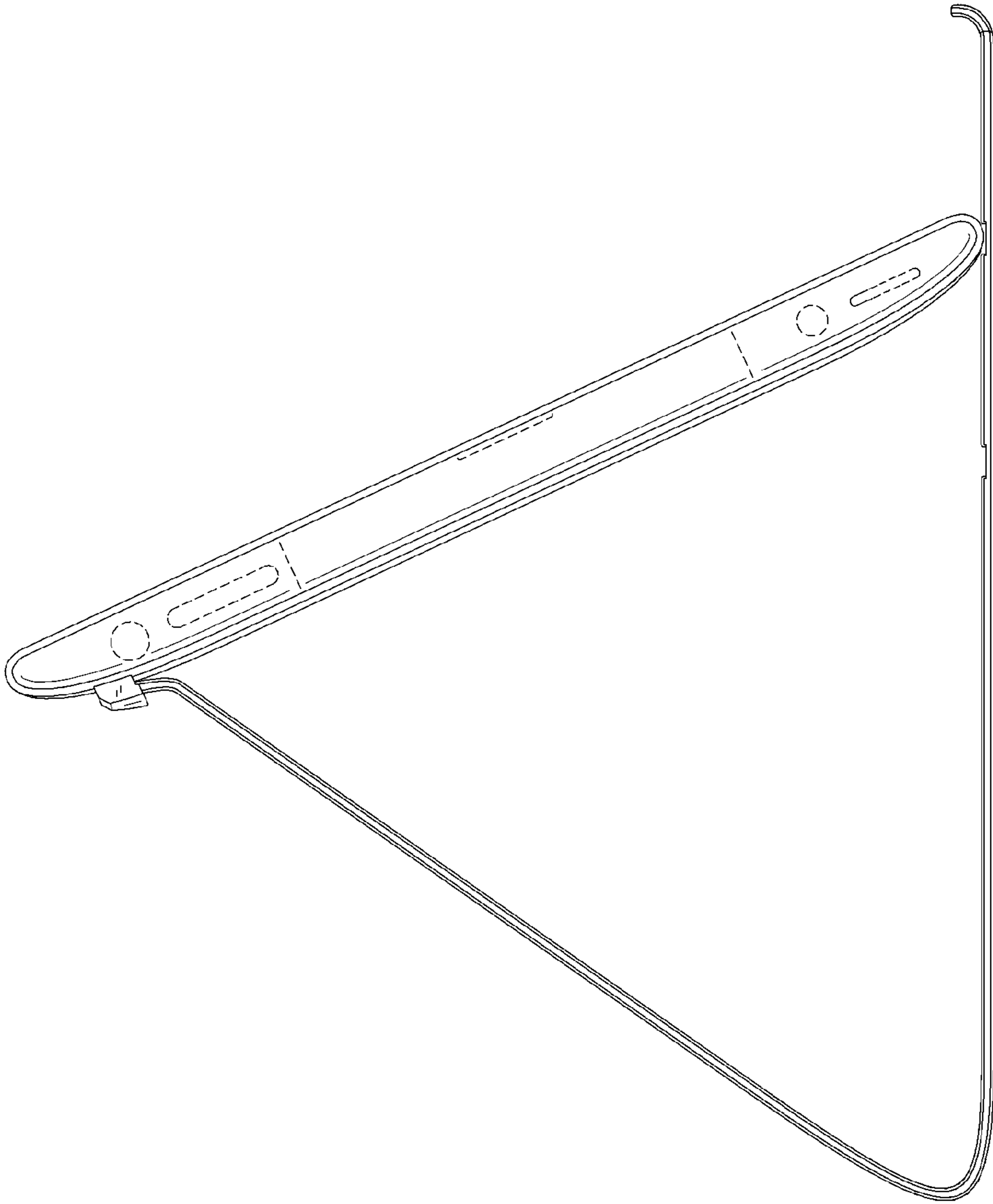


FIG. 4

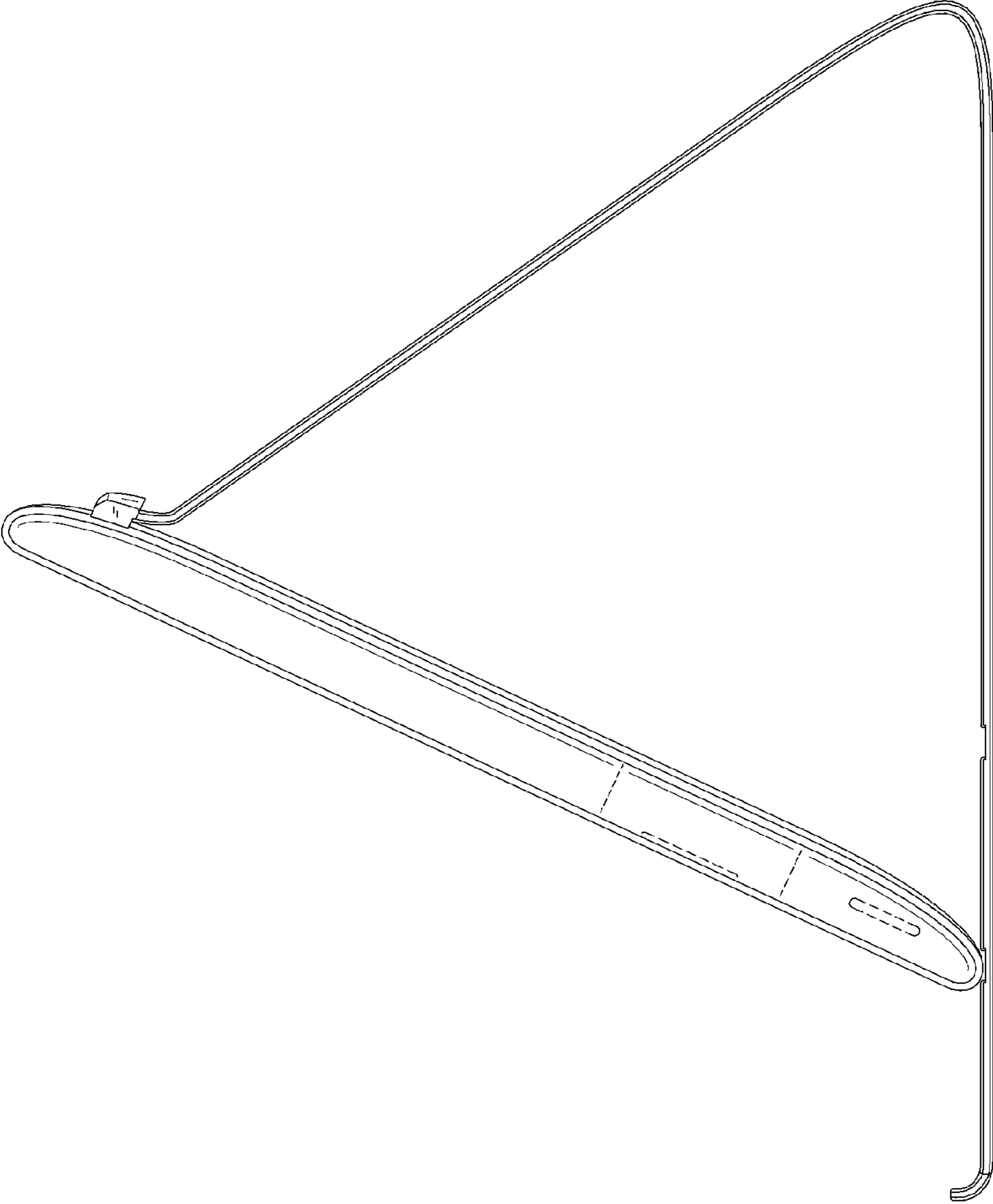


FIG. 5

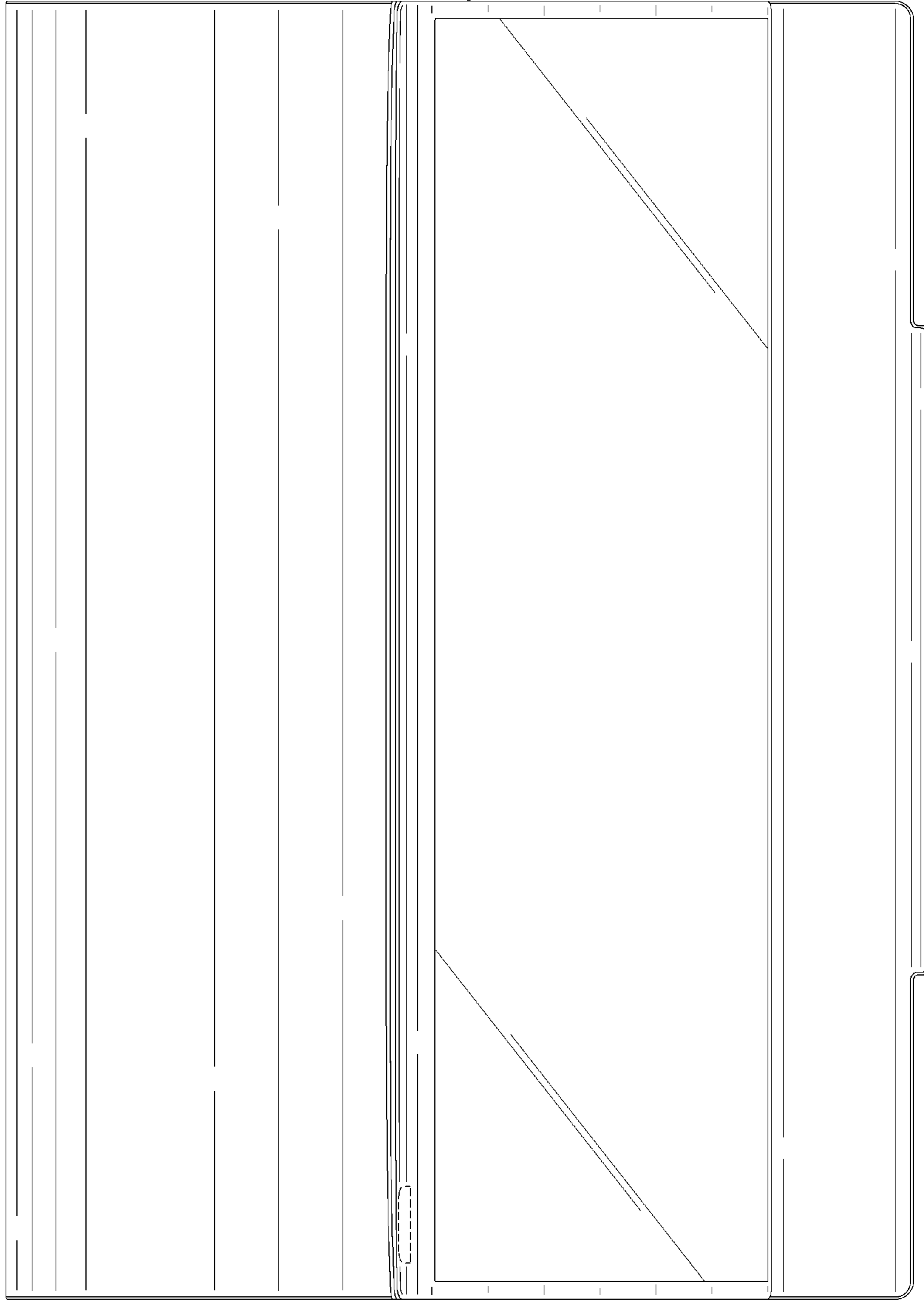


FIG. 6

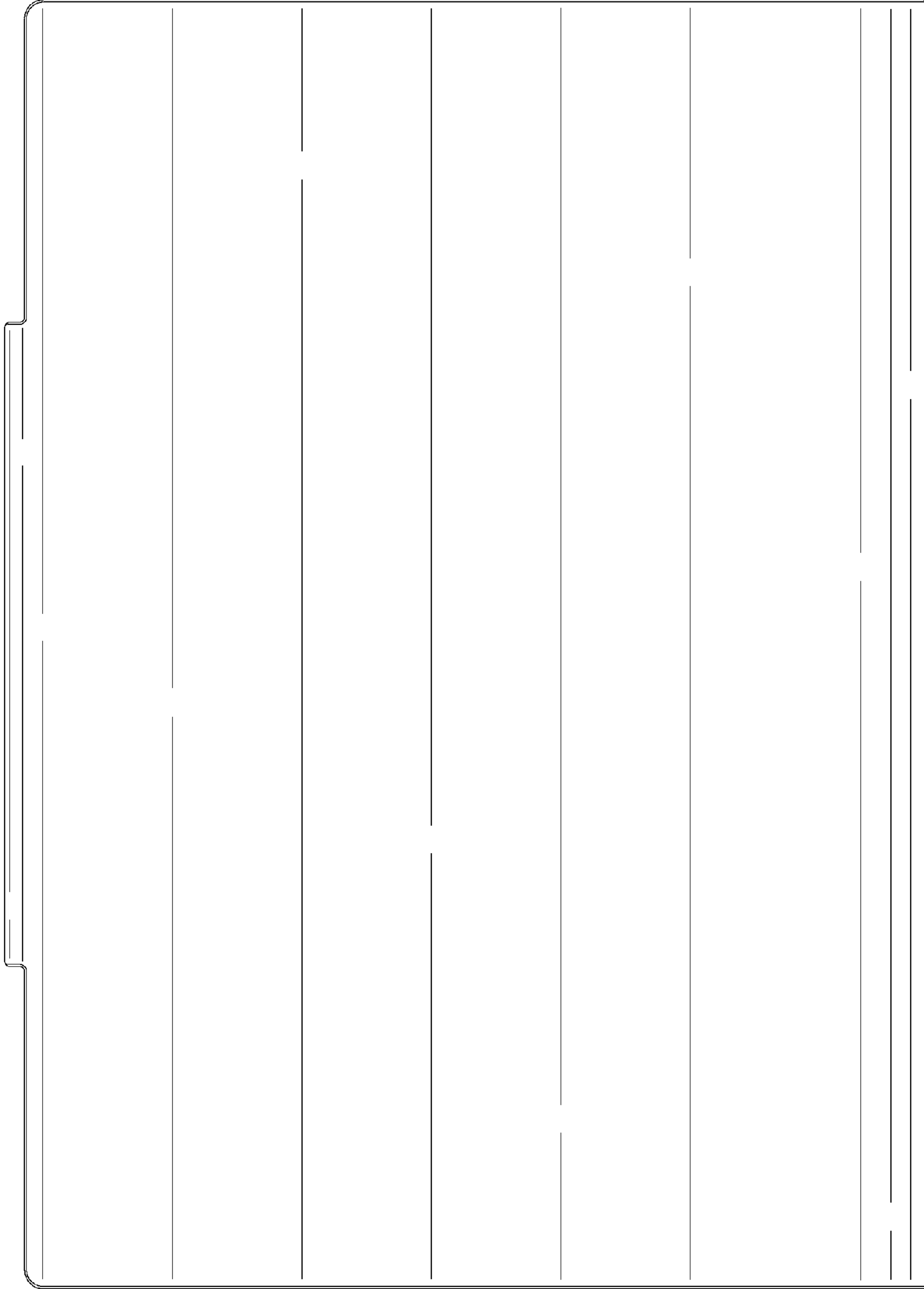


FIG. 7

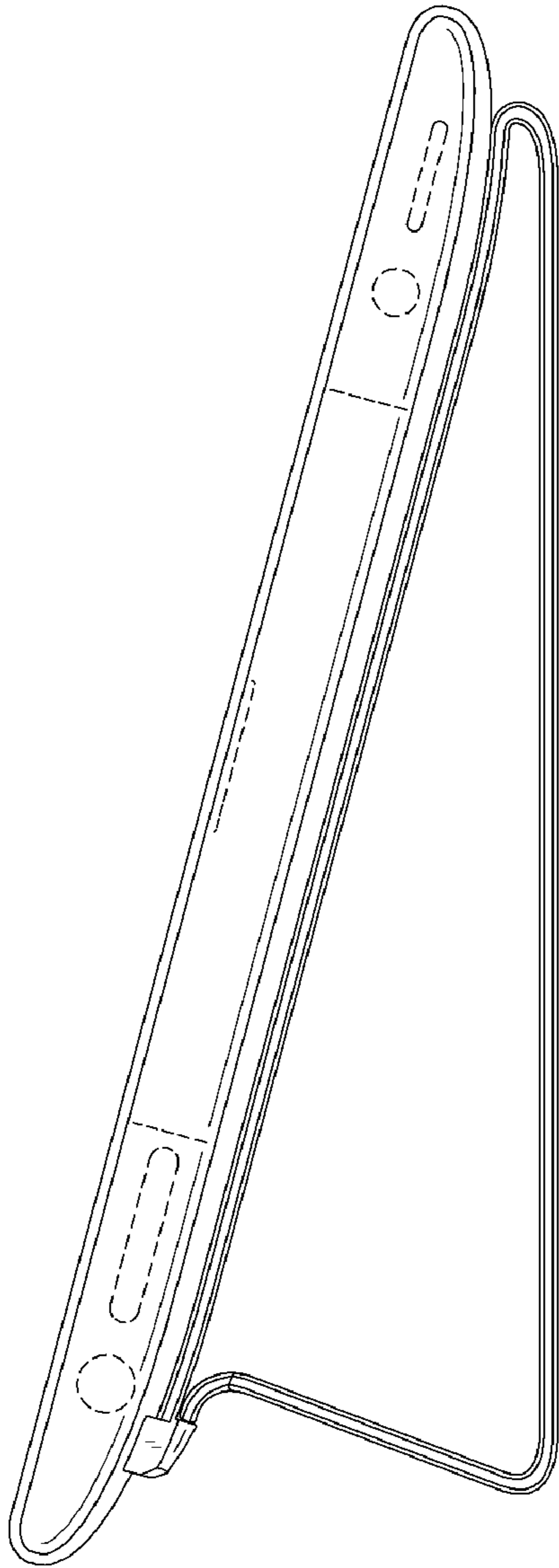


FIG. 8

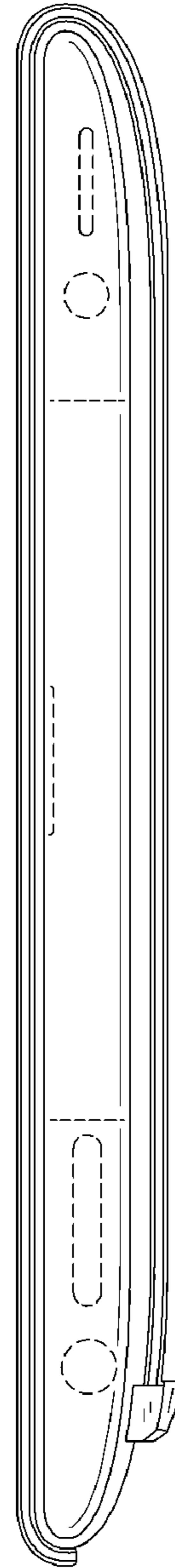


FIG. 9