

US00D639293S

(12) **United States Design Patent**
Fiore, IV et al.

(10) **Patent No.:** **US D639,293 S**
(45) **Date of Patent:** **** Jun. 7, 2011**

(54) **DIN/ISO DIN HEAD UNIT PROVISION MOUNTING DEVICE WITH POCKET**

(75) Inventors: **Anthony Fiore, IV**, Palm Coast, FL (US); **Edward Robertson**, Port Orange, FL (US)

(73) Assignee: **Metra Electronics Corporation**, Holly Hill, FL (US)

(**) Term: **14 Years**

(21) Appl. No.: **29/365,116**

(22) Filed: **Jul. 2, 2010**

(51) **LOC (9) Cl.** **14-03**

(52) **U.S. Cl.** **D14/258**

(58) **Field of Classification Search** D13/177, D13/182; D14/157, 217, 224, 257-258; 360/4; 369/75.11; 455/344, 347-351; 720/658, 720/691; 248/27.1, 27.3, 558

See application file for complete search history.

(56) **References Cited**

U.S. PATENT DOCUMENTS

| | | |
|--------------|---------|---------------------|
| 5,106,039 A | 4/1992 | Gross |
| 5,467,947 A | 11/1995 | Quilling, II |
| D401,591 S | 11/1998 | Jones, Jr. et al. |
| D418,838 S | 1/2000 | Jones, Jr. et al. |
| D481,378 S | 10/2003 | Quilling, II et al. |
| D481,707 S | 11/2003 | Quilling, II et al. |
| D481,708 S | 11/2003 | Quilling, II et al. |
| D482,023 S | 11/2003 | Quilling, II et al. |
| D482,024 S | 11/2003 | Quilling, II et al. |
| 6,651,936 B2 | 11/2003 | Upton et al. |
| D483,027 S | 12/2003 | Quilling, II et al. |
| D484,495 S | 12/2003 | Quilling, II et al. |
| D485,260 S | 1/2004 | Quilling, II et al. |
| D488,462 S | 4/2004 | Quilling, II et al. |
| D492,287 S | 6/2004 | Quilling, II |
| D492,288 S | 6/2004 | Quilling, II |
| D492,668 S | 7/2004 | Quilling, II |
| D496,028 S | 9/2004 | Quilling, II |

| | | |
|------------|---------|--------------|
| D496,354 S | 9/2004 | Quilling, II |
| D501,852 S | 2/2005 | Quilling, II |
| D503,400 S | 3/2005 | Quilling, II |
| D503,401 S | 3/2005 | Quilling, II |
| D504,423 S | 4/2005 | Quilling, II |
| D505,672 S | 5/2005 | Quilling |
| D507,791 S | 7/2005 | Quilling, II |
| D508,486 S | 8/2005 | Quilling, II |
| D513,508 S | 1/2006 | Quilling, II |
| D517,061 S | 3/2006 | Quilling, II |
| D519,995 S | 5/2006 | Quilling, II |
| D531,879 S | 11/2006 | Quilling, II |

(Continued)

OTHER PUBLICATIONS

Metra The Installer's Choice, Autosound Installation Products (metraonline.com), pp. 1-143 (2008).

Primary Examiner — Nanda Bondade

(74) *Attorney, Agent, or Firm* — Fitzpatrick, Cella, Harper & Scinto

(57) **CLAIM**

We claim the ornamental design for a DIN/ISO DIN head unit provision mounting device with pocket, as shown and described.

DESCRIPTION

FIG. 1 is a right front perspective view of a DIN/ISO DIN head unit provision mounting device with pocket showing our design;

FIG. 2 is a front elevational view of FIG. 1;

FIG. 3 is a rear elevational view of FIG. 1;

FIG. 4 is a top plan view of FIG. 1;

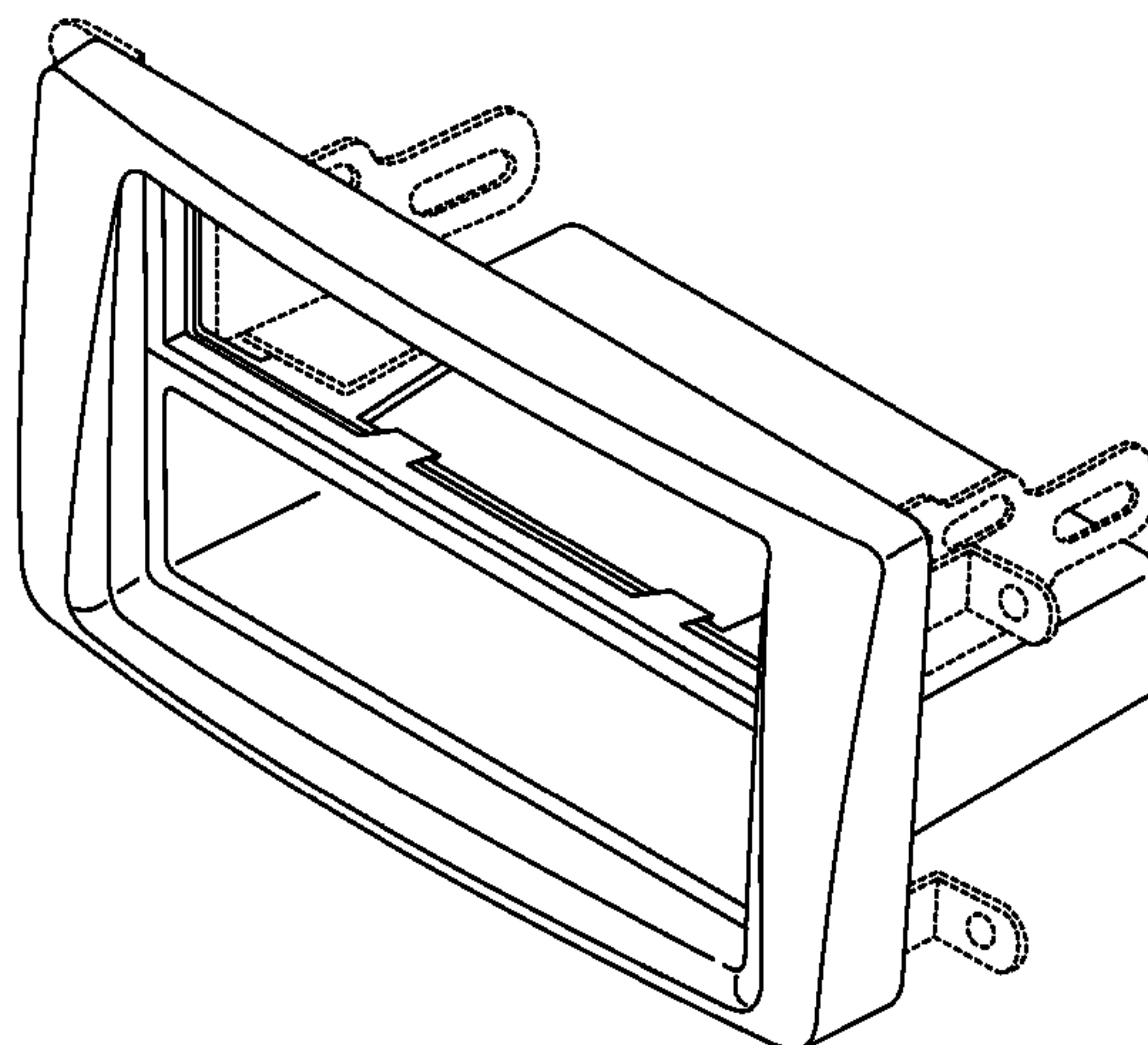
FIG. 5 is a bottom plan view of FIG. 1;

FIG. 6 is a right side elevation view of FIG. 1; and,

FIG. 7 is a left side elevation view of FIG. 1.

The broken line showing on the drawing disclosure is for illustrative purposes only and forms no part of the claimed design.

1 Claim, 6 Drawing Sheets



US D639,293 S

Page 2

U.S. PATENT DOCUMENTS

| | | | | | |
|----------------|---------|----------------------|------------|---------|--------------|
| 7,177,730 B2 | 2/2007 | Daly et al. | D582,912 S | 12/2008 | Quilling, II |
| D540,785 S | 4/2007 | Quilling, II | D583,809 S | 12/2008 | Fiore |
| 7,201,356 B2 * | 4/2007 | Huang 248/27.3 | D584,725 S | 1/2009 | Fiore, IV |
| D545,661 S | 7/2007 | Quilling, II | D602,013 S | 10/2009 | Quilling, II |
| D545,815 S | 7/2007 | Quilling, II | D602,483 S | 10/2009 | Fiore, IV |
| D555,645 S | 11/2007 | Quilling, II | D602,929 S | 10/2009 | Quilling, II |
| D555,646 S | 11/2007 | Quilling, II | D602,930 S | 10/2009 | Quilling, II |
| D555,647 S | 11/2007 | Quilling, II | D603,390 S | 11/2009 | Quilling, II |
| D566,701 S | 4/2008 | Quilling, II | D604,286 S | 11/2009 | Fiore, IV |
| 7,430,110 B2 | 9/2008 | Quilling, II | D610,580 S | 2/2010 | Fiore, IV |
| D581,408 S | 11/2008 | Fiore, IV | D611,939 S | 3/2010 | Quilling, II |
| D582,908 S | 12/2008 | Quilling | | | |

* cited by examiner

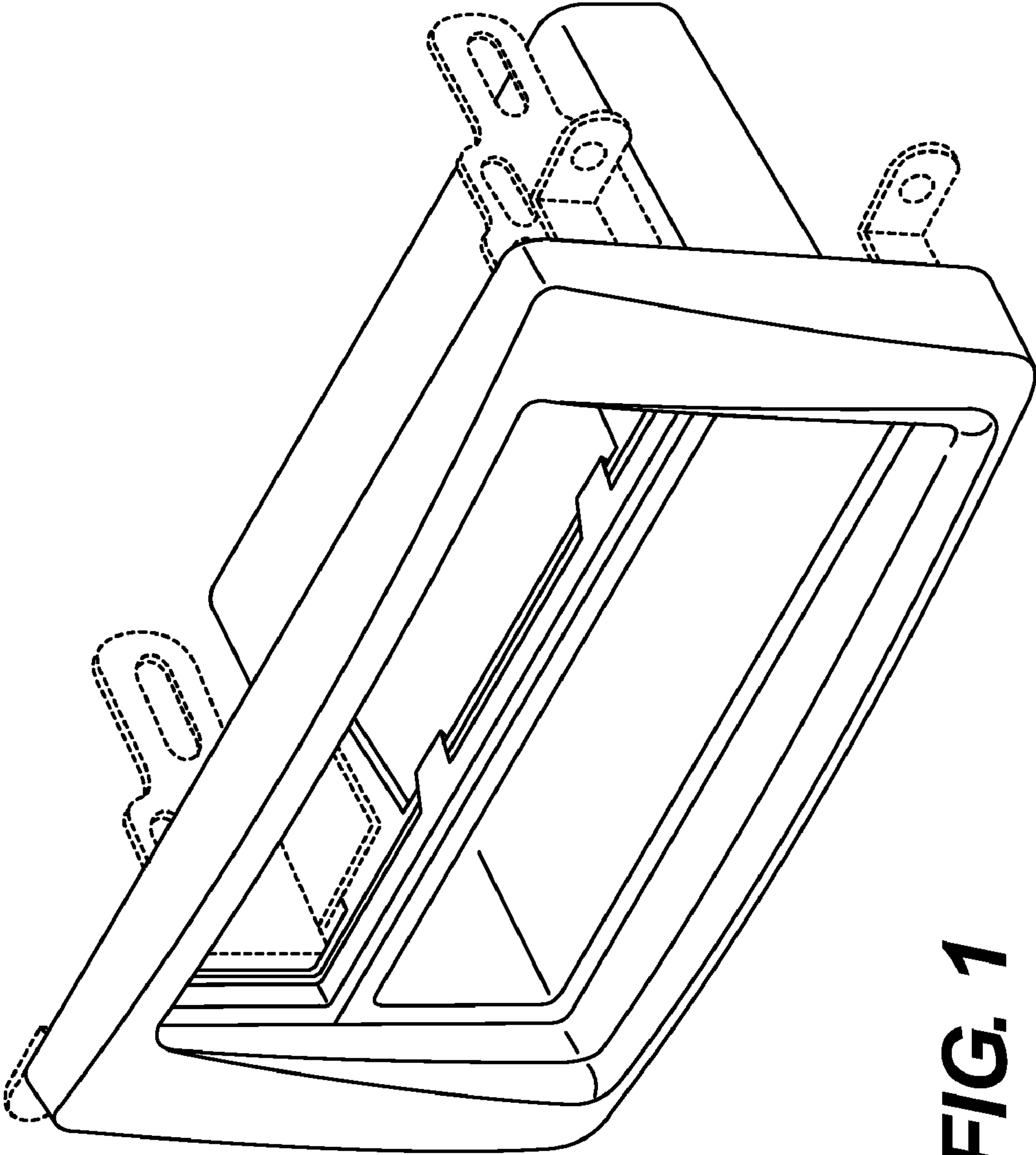


FIG. 1

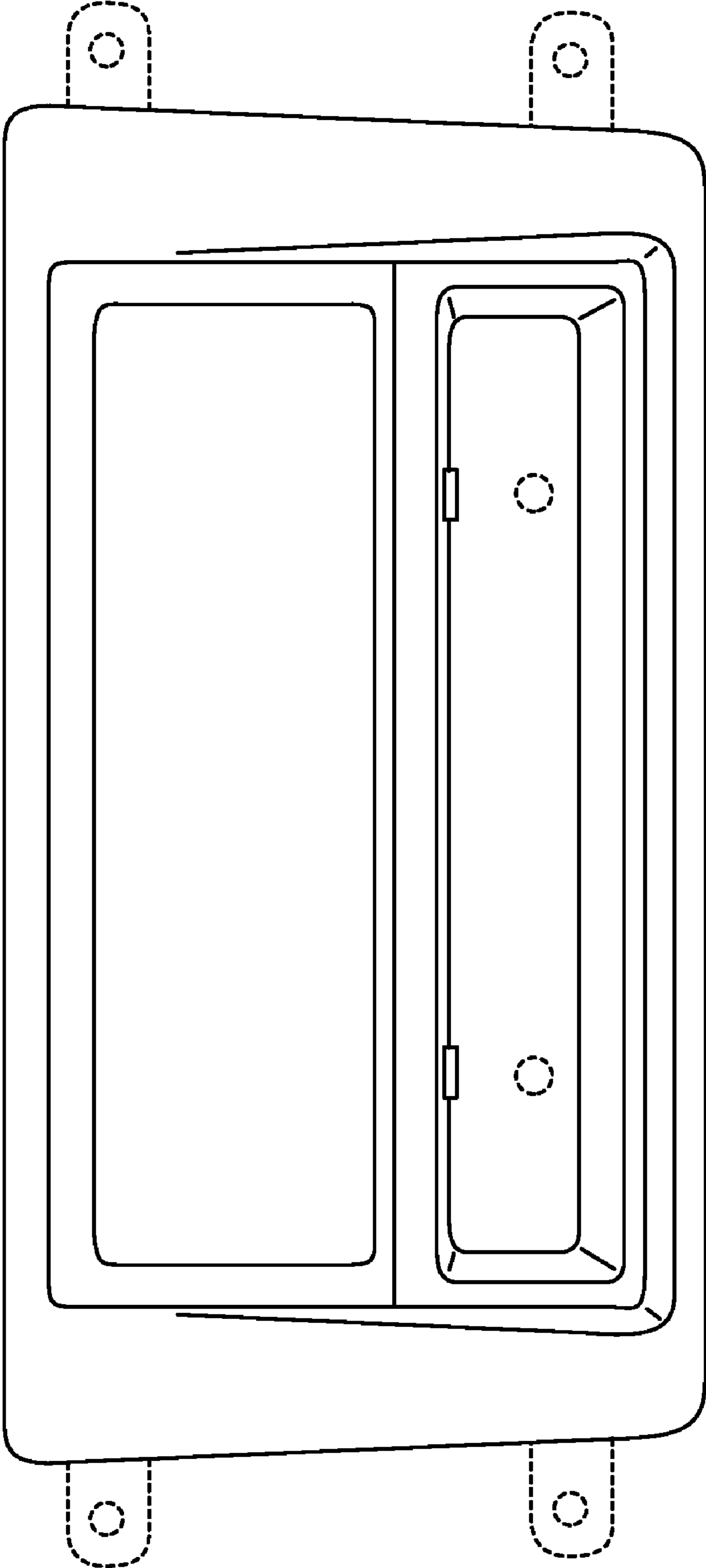


FIG. 2

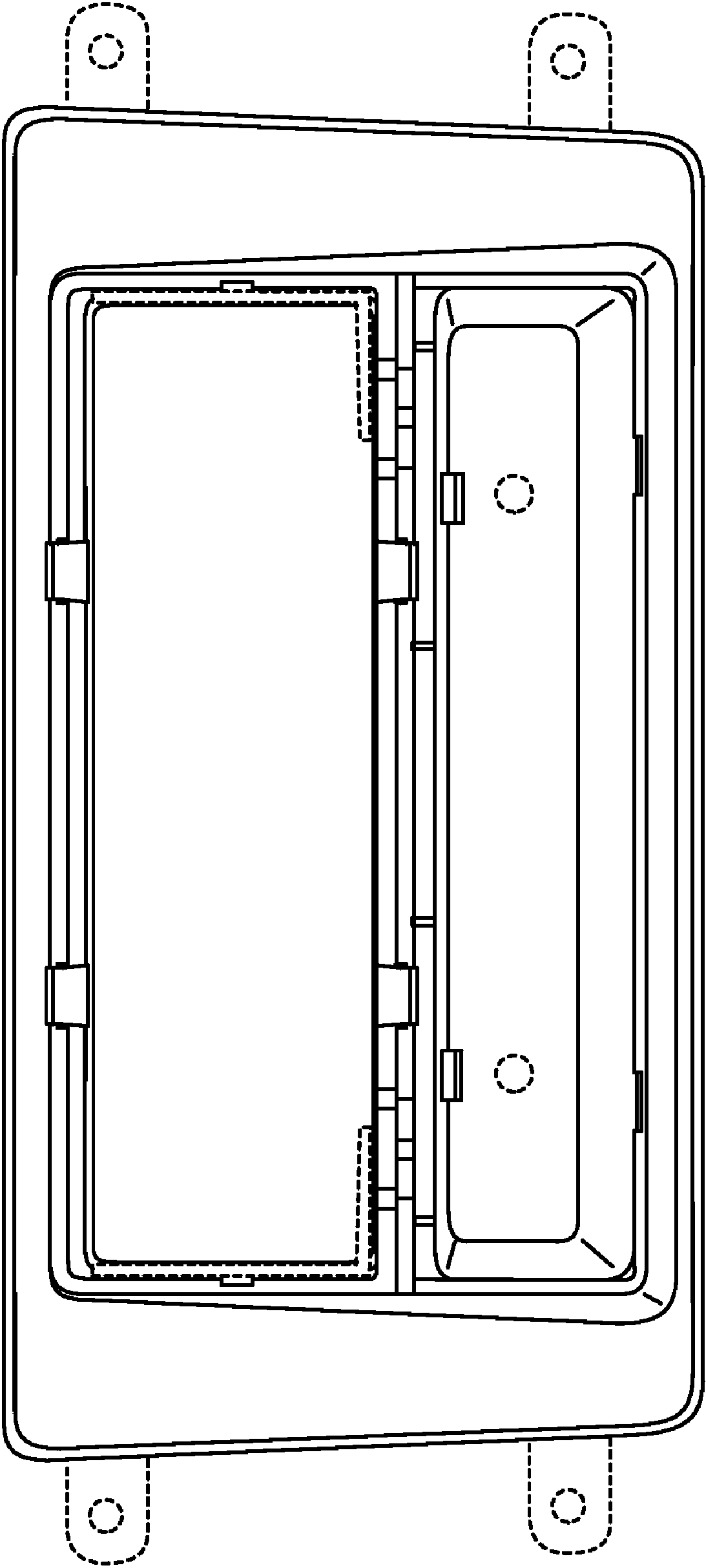


FIG. 3

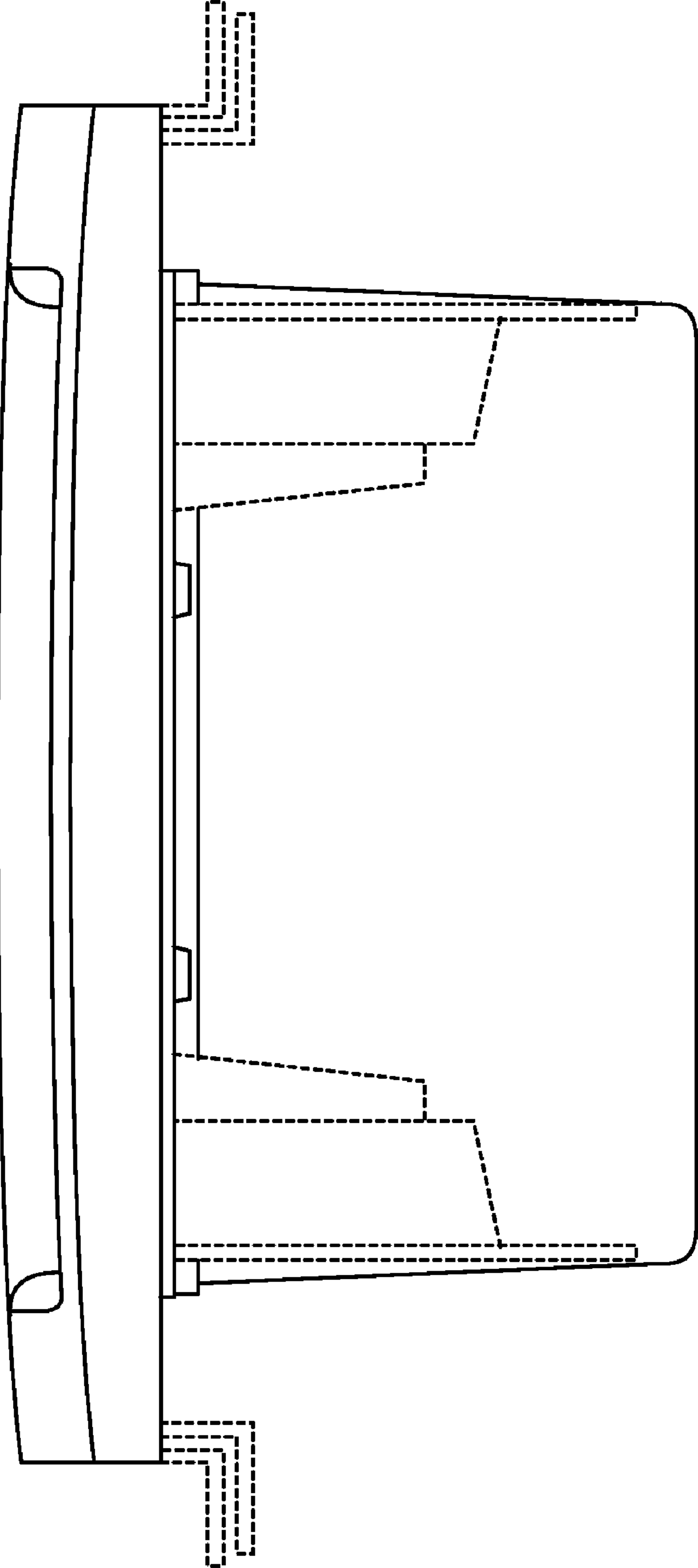


FIG. 4

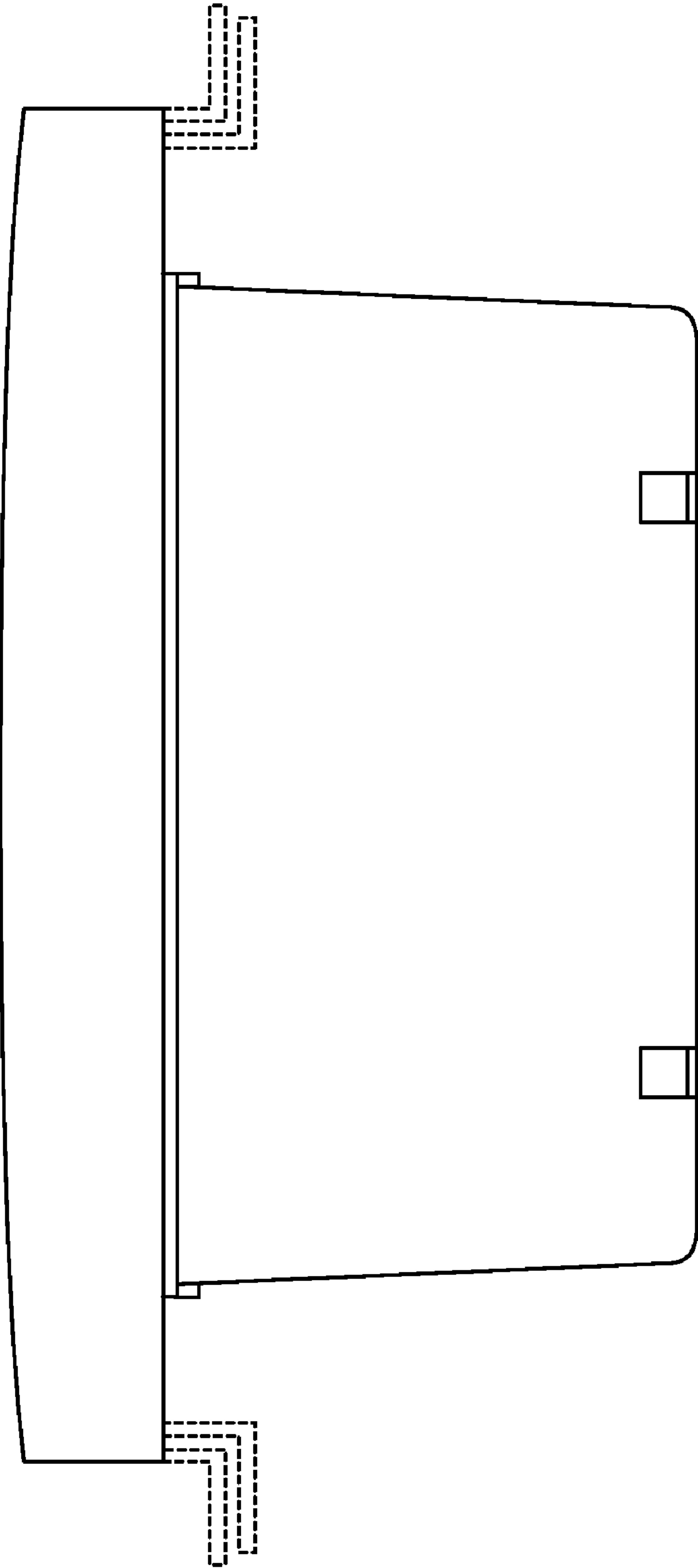


FIG. 5

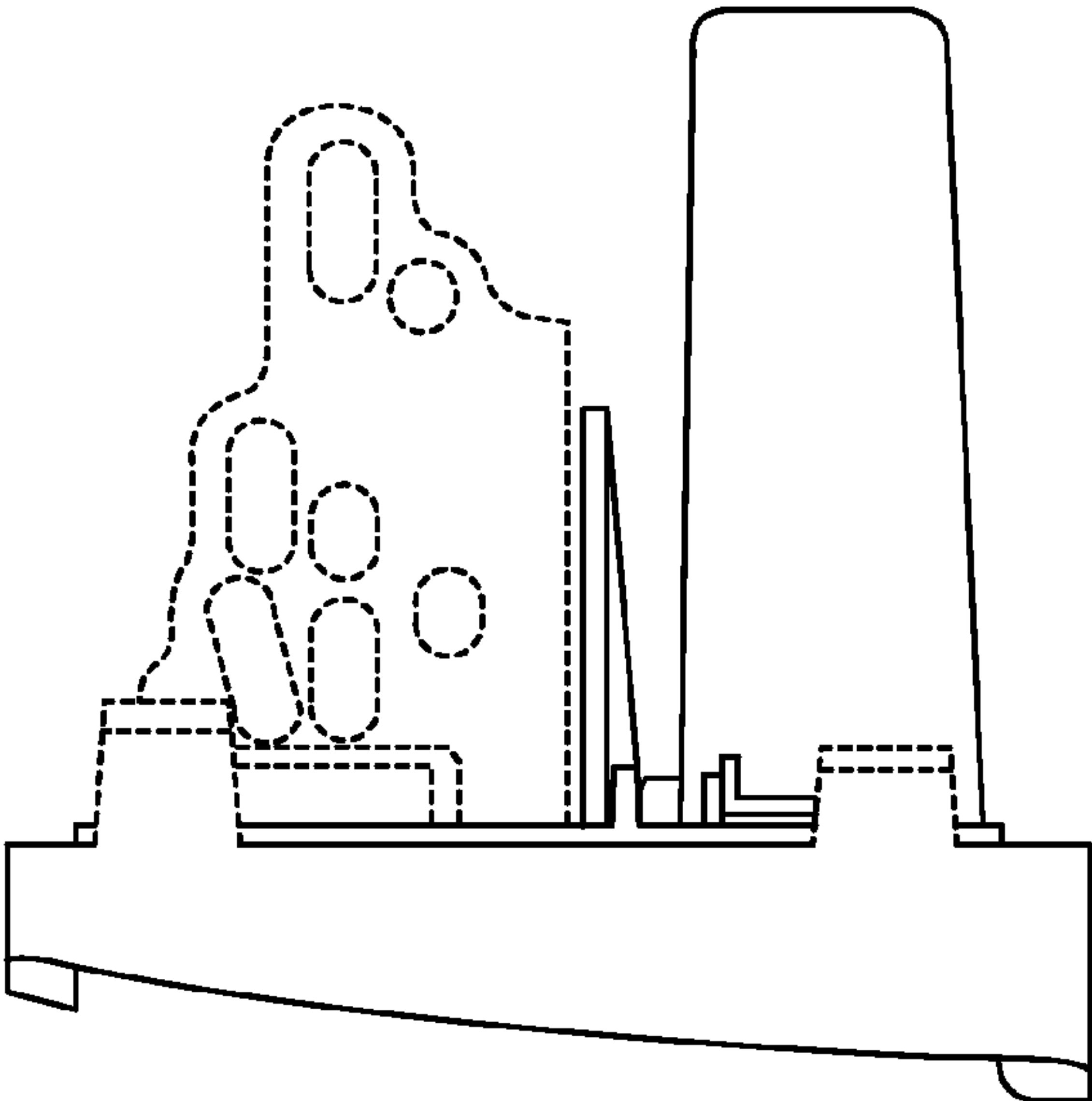


FIG. 6

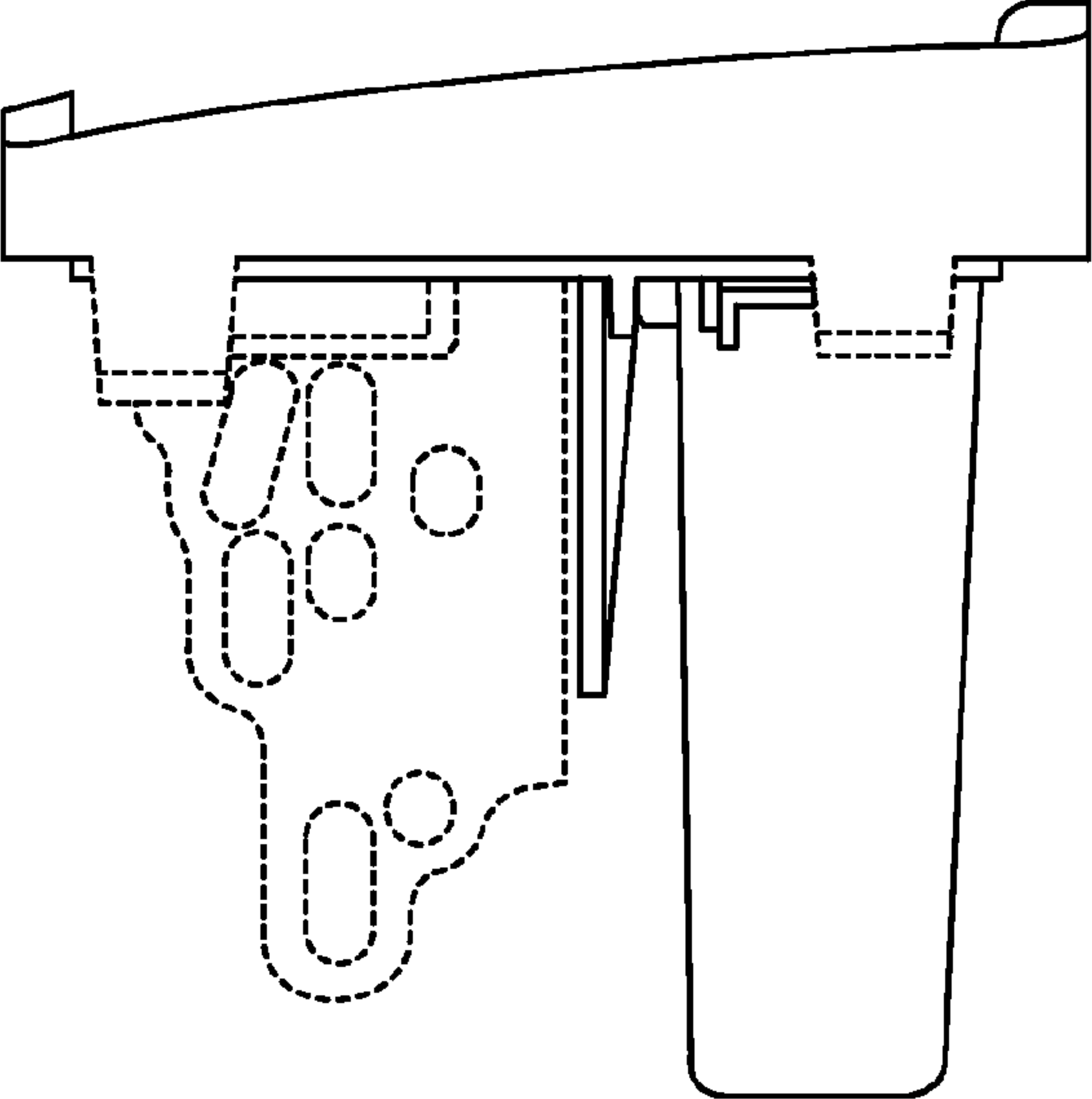


FIG. 7