



US00D639286S

(12) **United States Design Patent**
Mohoney

(10) **Patent No.:** **US D639,286 S**
(45) **Date of Patent:** **** Jun. 7, 2011**

(54) **CASE FOR PORTABLE TELEPHONES AND DIGITAL MEDIA PLAYERS**

(76) Inventor: **Victor Mohoney**, Madison, WI (US)

(**) Term: **14 Years**

(21) Appl. No.: **29/343,531**

(22) Filed: **Sep. 15, 2009**

Related U.S. Application Data

(63) Continuation-in-part of application No. 12/400,409, filed on Mar. 9, 2009, now Pat. No. 7,778,023.

(51) **LOC (9) Cl.** **14-03**

(52) **U.S. Cl.** **D14/250; D3/294**

(58) **Field of Classification Search** D3/201, D3/203.1, 203.6, 205-206, 273, 301, 900, D3/901; 190/100, 115; 206/223, 569-570, 206/581, 823; D14/501, 203.8, 250
See application file for complete search history.

(56) **References Cited**

U.S. PATENT DOCUMENTS

D261,950 S *	11/1981	Jankowski	D3/205
D315,057 S *	3/1991	Bridges	D3/295
5,524,915 A *	6/1996	Liu	280/30
D411,767 S *	7/1999	Keller	D3/273
D434,561 S *	12/2000	Vasudeva	D3/282
6,283,291 B1 *	9/2001	Vasudeva et al.	206/373
D467,429 S *	12/2002	Bone et al.	D3/294
D498,925 S *	11/2004	Chen	D3/294
D513,873 S *	1/2006	Bochno et al.	D3/294
D594,509 S *	6/2009	Chan	D19/91
D615,527 S *	5/2010	Hwang	D14/203.8
D619,560 S *	7/2010	Ho	D14/203.8
D626,567 S *	11/2010	Furukawa	D14/500

* cited by examiner

Primary Examiner — Ian Simmons

Assistant Examiner — Charles D Hanson

(74) *Attorney, Agent, or Firm* — Craig A. Fieschko, Esq.;
DeWitt Ross & Stevens S.C.

(57) **CLAIM**

The ornamental design for a case for portable telephones and digital media players, as shown and described.

DESCRIPTION

FIG. 1 is a top right perspective view of a case for portable telephones and digital media players, showing my new design, in a closed position;

FIG. 2 is a top right perspective view thereof, in an opened position;

FIG. 3 is a bottom right perspective view thereof, in a closed position;

FIG. 4 is a bottom right perspective view thereof, in an opened position;

FIG. 5 is a top left perspective view thereof, in a closed position;

FIG. 6 is a top right perspective view thereof, in an opened position;

FIG. 7 is a bottom right perspective view thereof, in a closed position;

FIG. 8 is a bottom right perspective view thereof, in an opened position;

FIG. 9 is a left side elevation view, thereof, in a closed position;

FIG. 10 is a left side elevation view thereof, in an opened position;

FIG. 11 is a right side elevation view thereof, in a closed position;

FIG. 12 is a right side elevation view thereof, in an opened position;

FIG. 13 is a top plan view thereof, in a closed position;

FIG. 14 is a top plan view thereof, in an opened position;

FIG. 15 is a front elevation view thereof, in a closed position;

FIG. 16 is a front elevation view thereof, in an opened position;

FIG. 17 is a bottom plan view thereof, in a closed position;

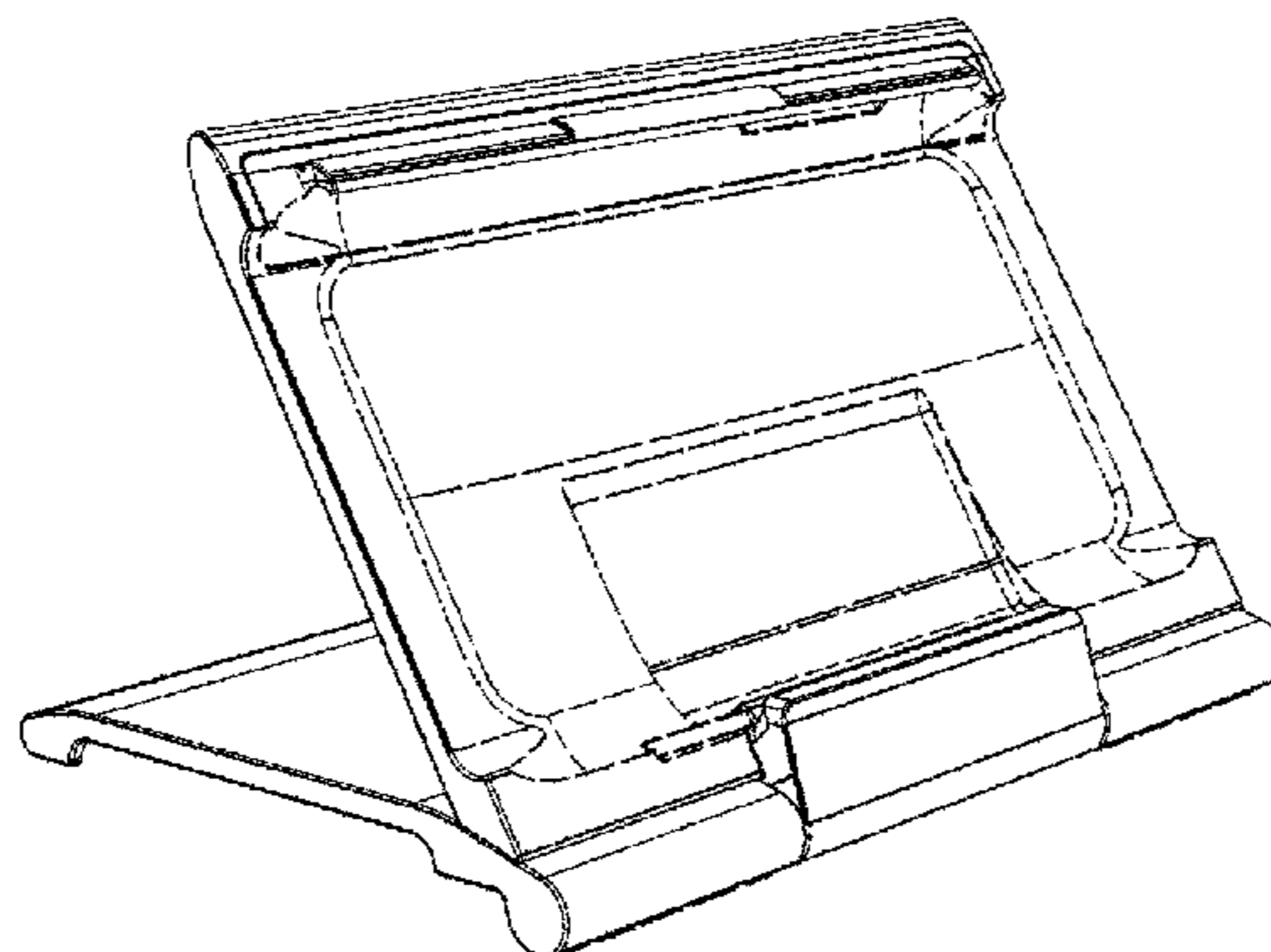
FIG. 18 is a bottom plan view thereof, in an opened position;

FIG. 19 is a rear elevation view thereof, in a closed position; and,

FIG. 20 is a rear elevation view thereof, in an opened position.

The broken line showing of the portable telephone/digital media player, the inner shell facings, and the pads is included for the purpose of illustrating environment and forms no part of the claimed design.

1 Claim, 10 Drawing Sheets



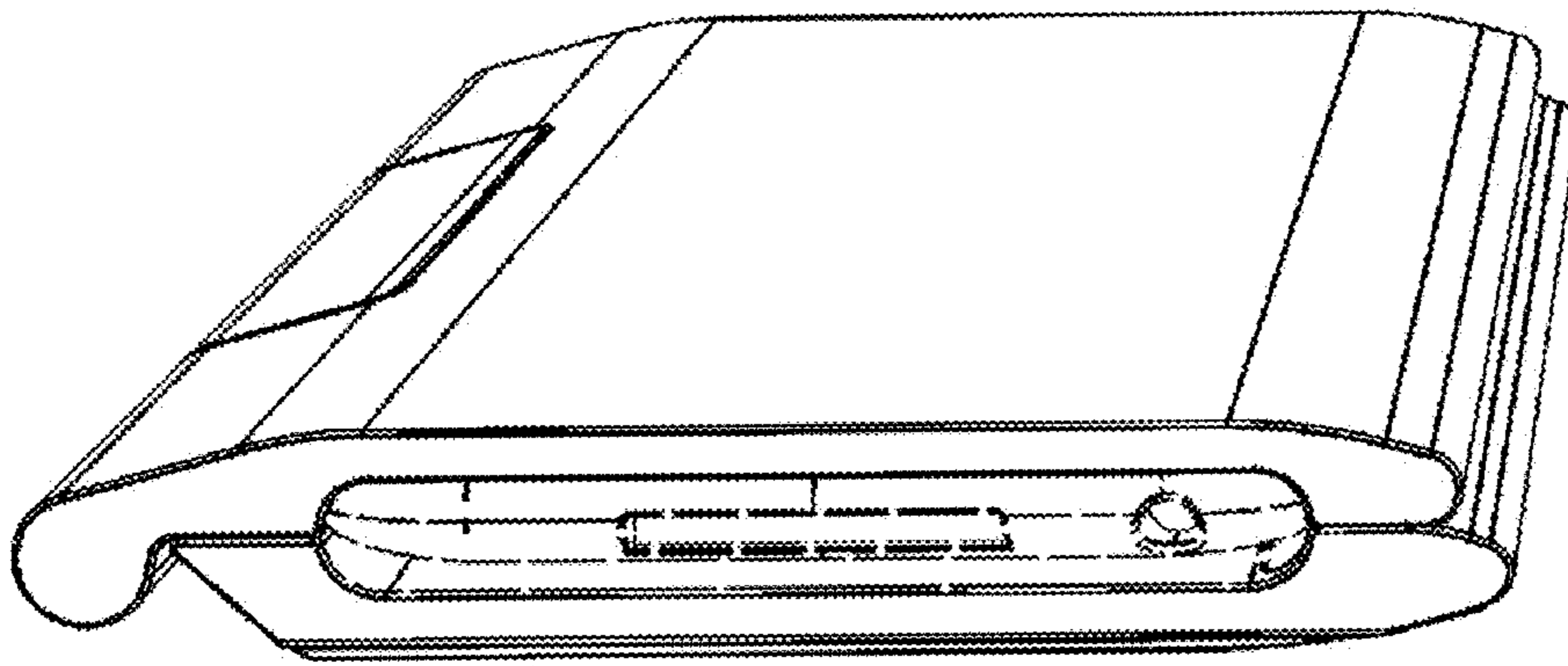


FIG. 1

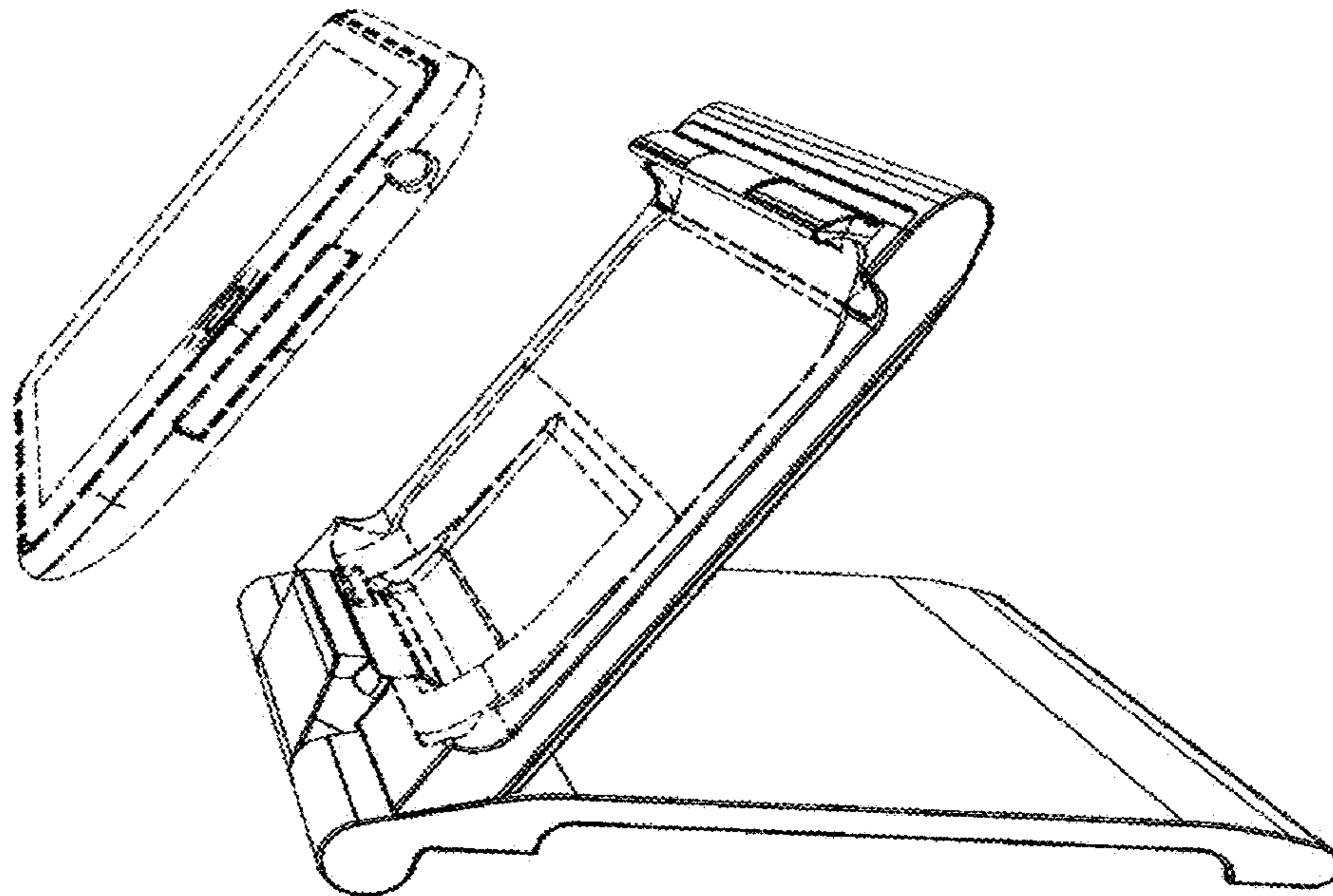


FIG. 2

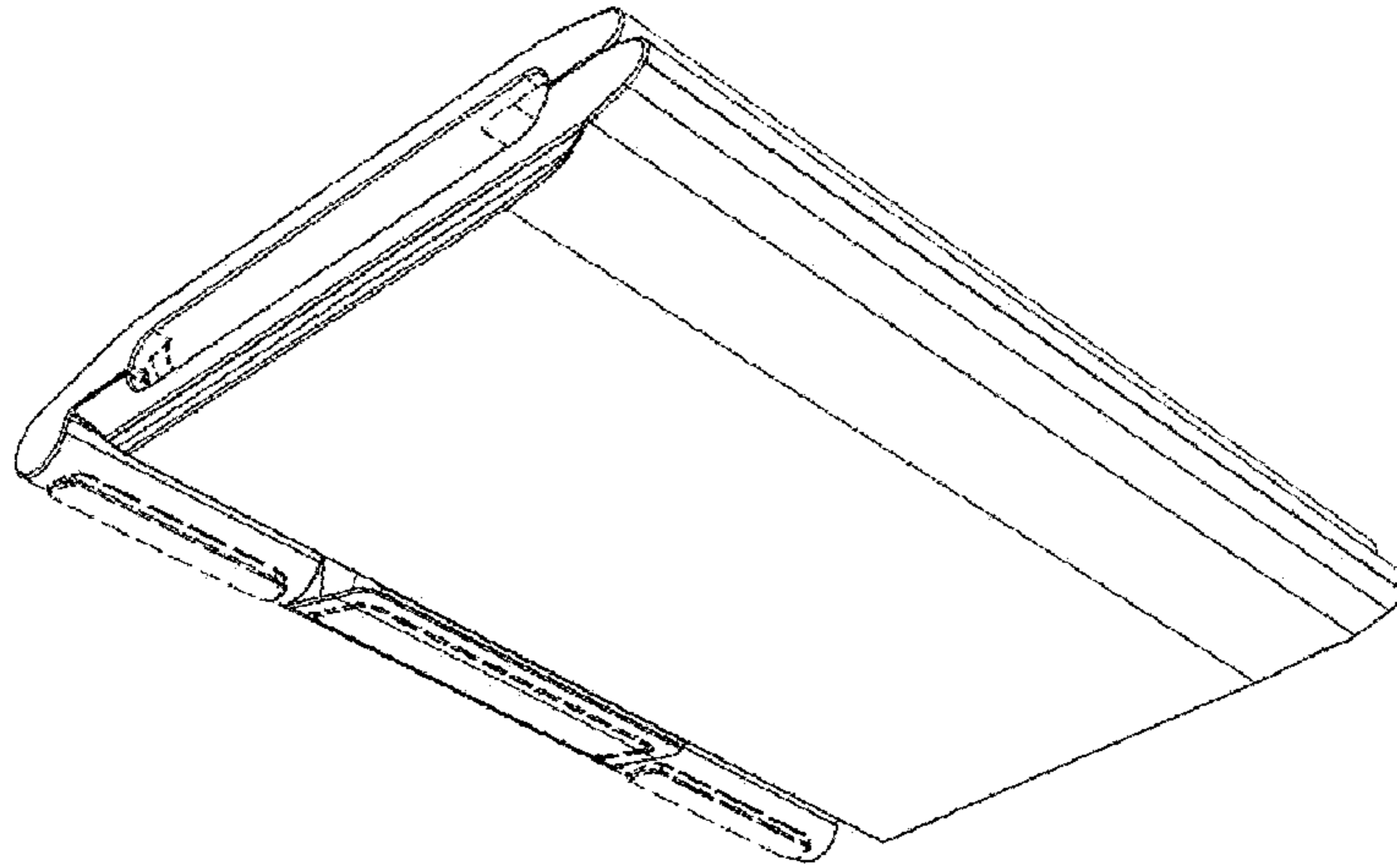


FIG. 3

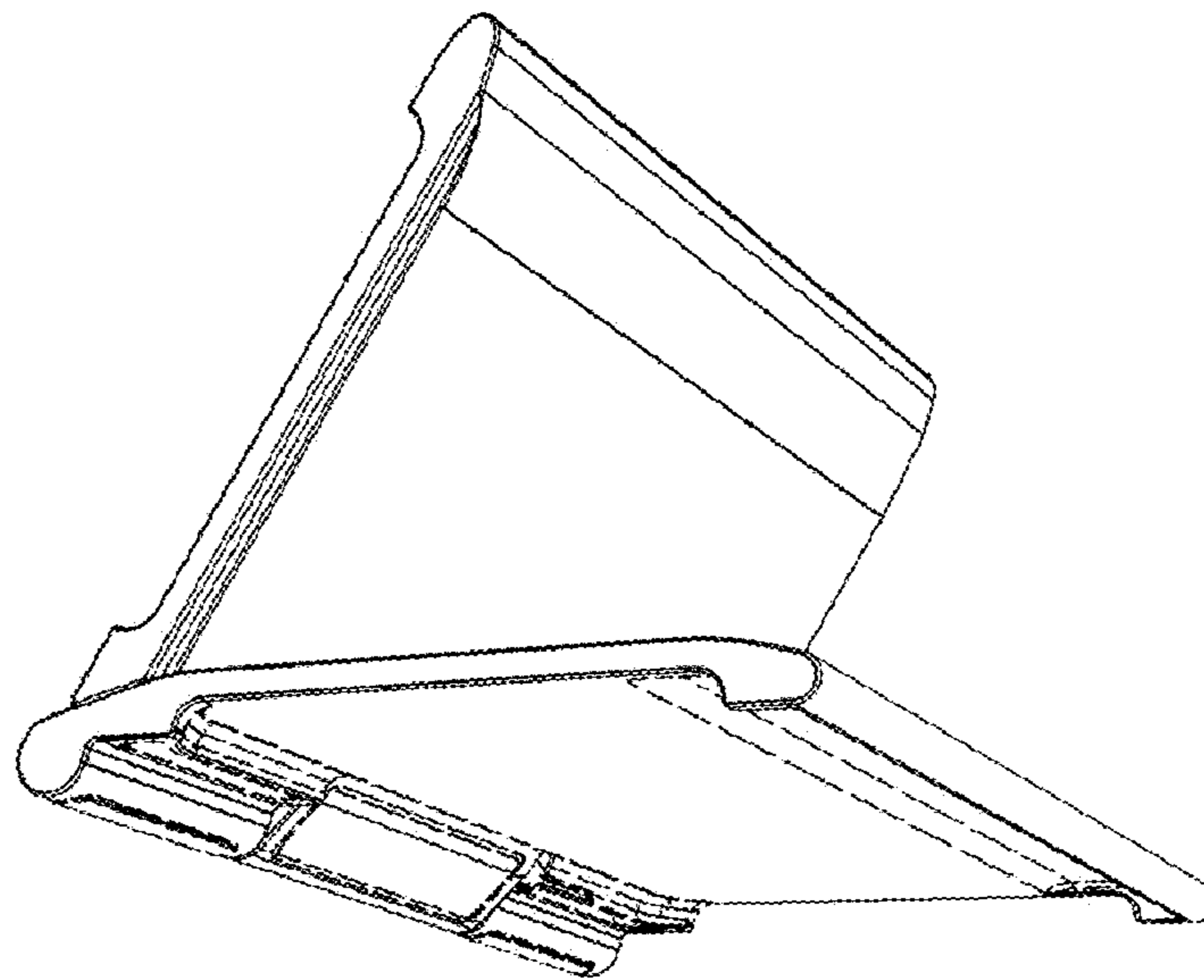


FIG. 4

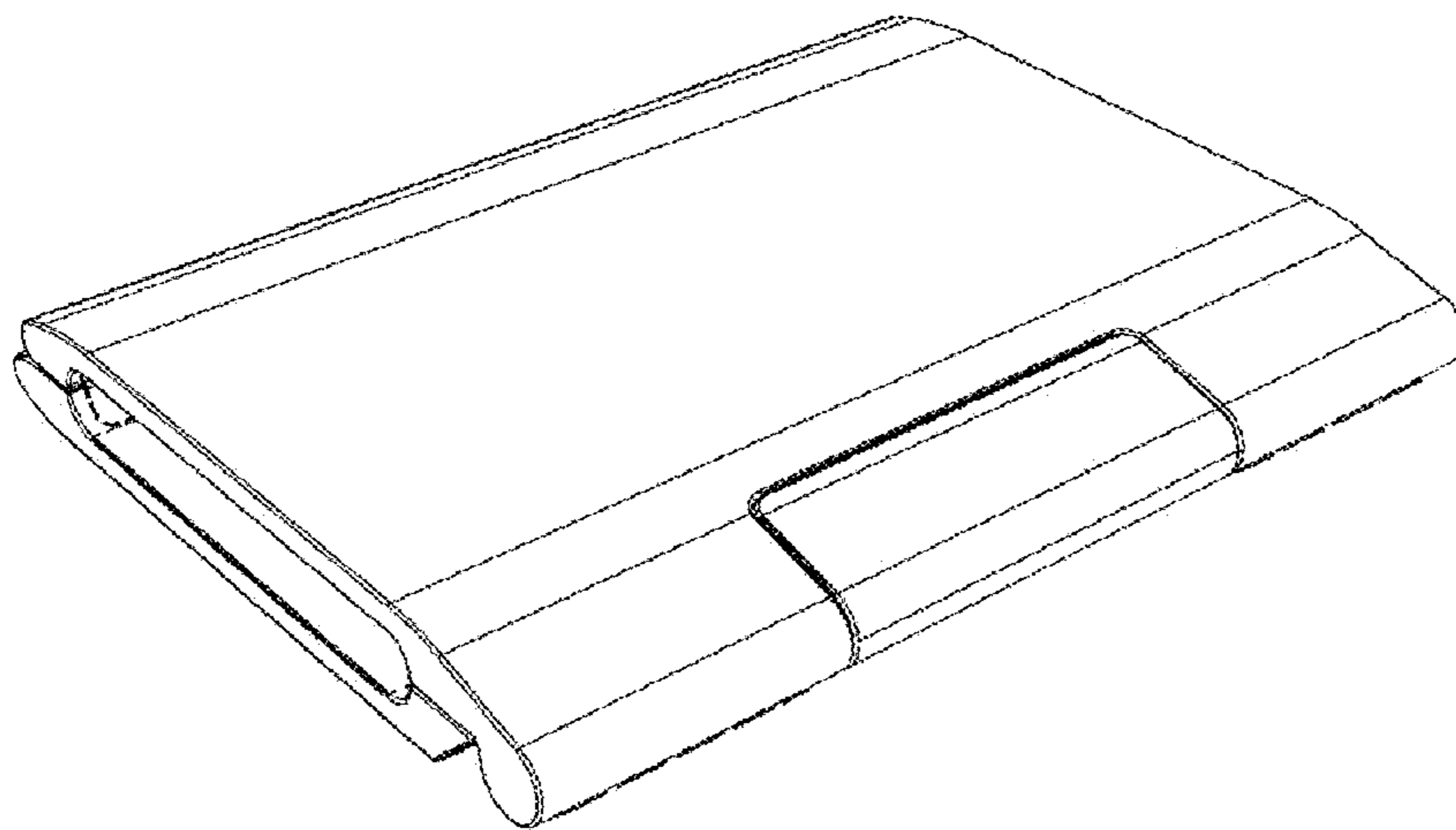


FIG. 5

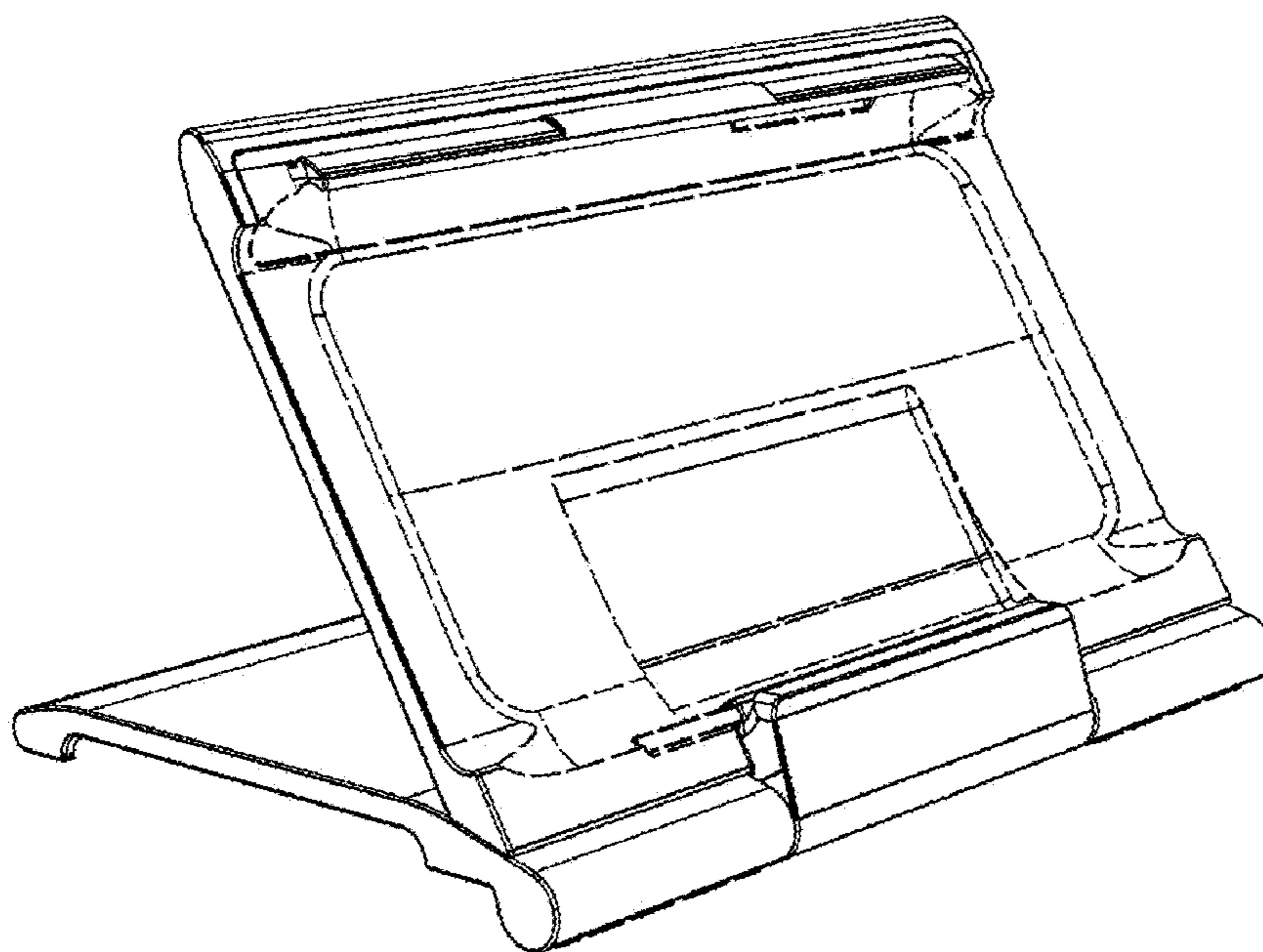


FIG. 6

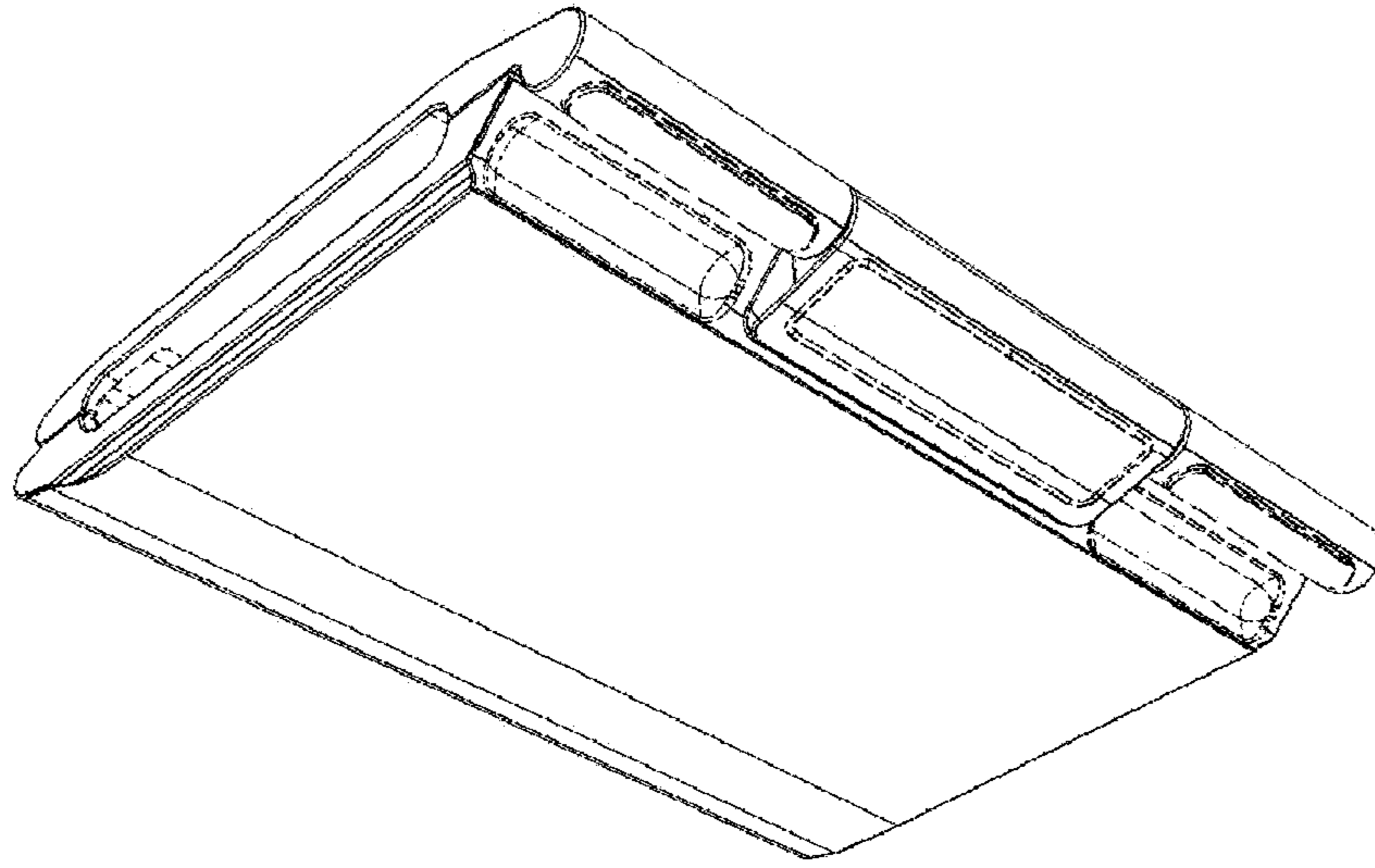


FIG. 7

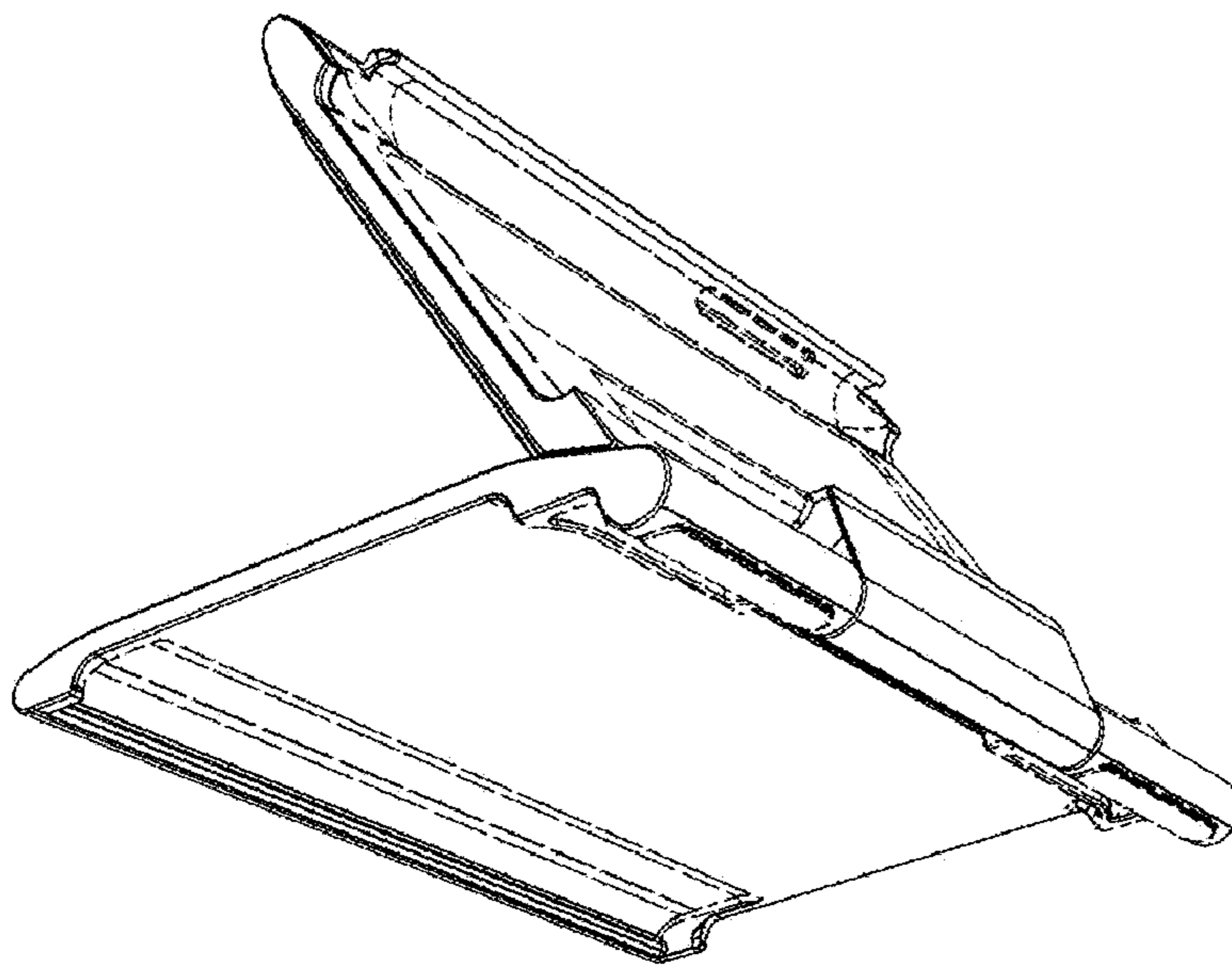


FIG. 8

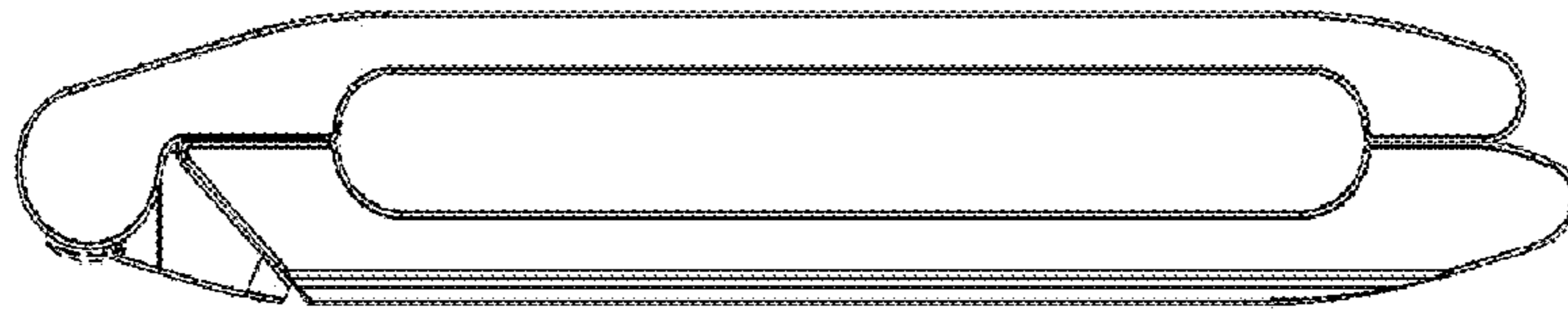


FIG. 9

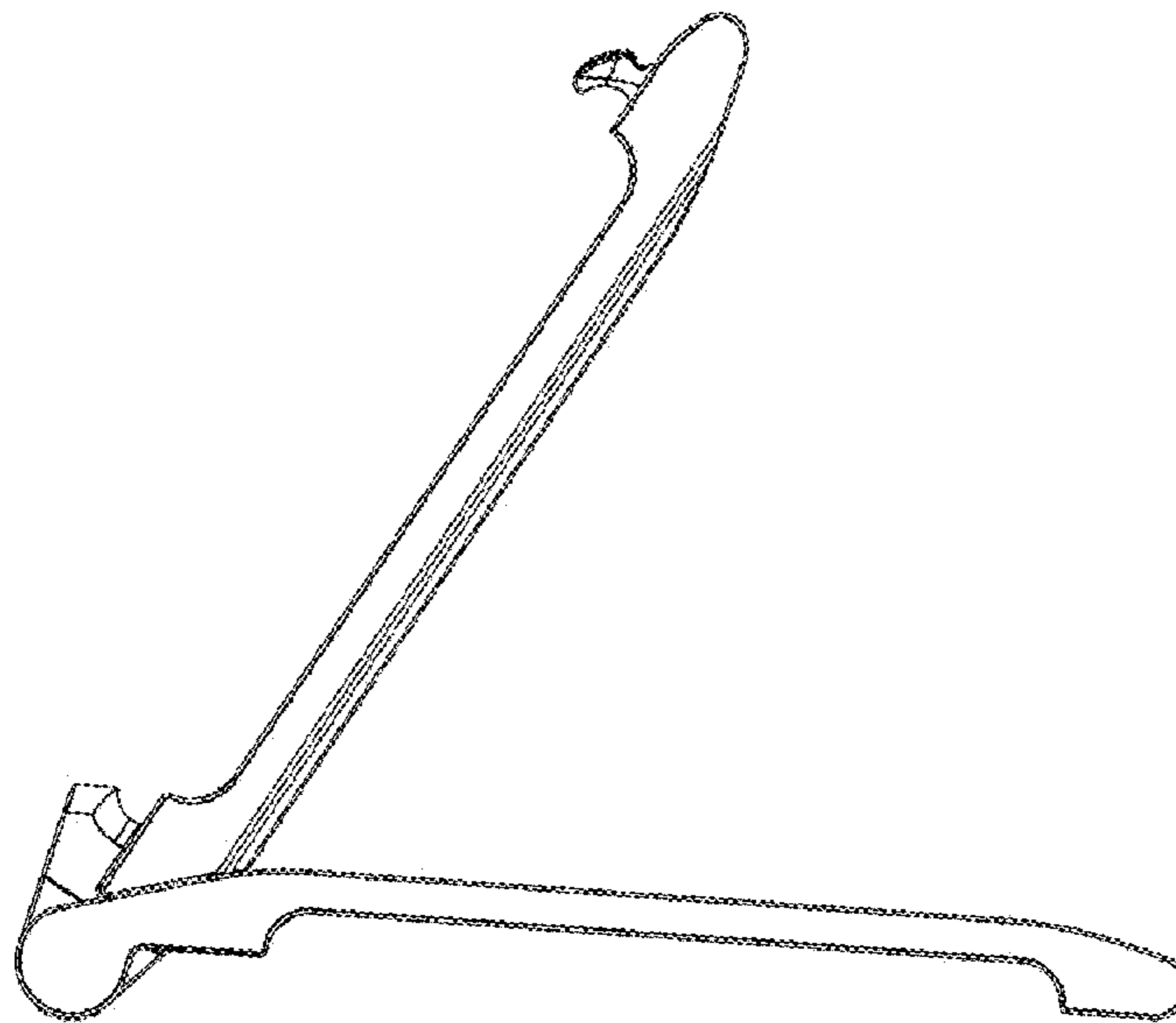


FIG. 10

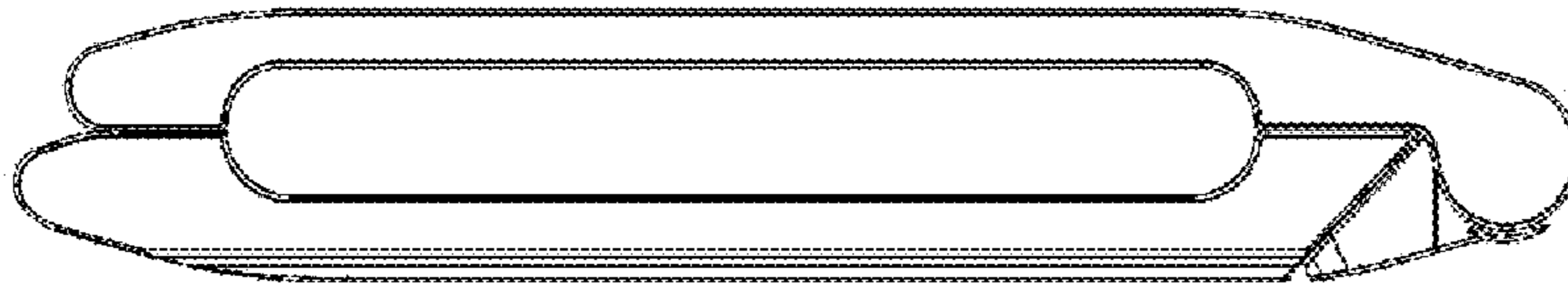


FIG. 11

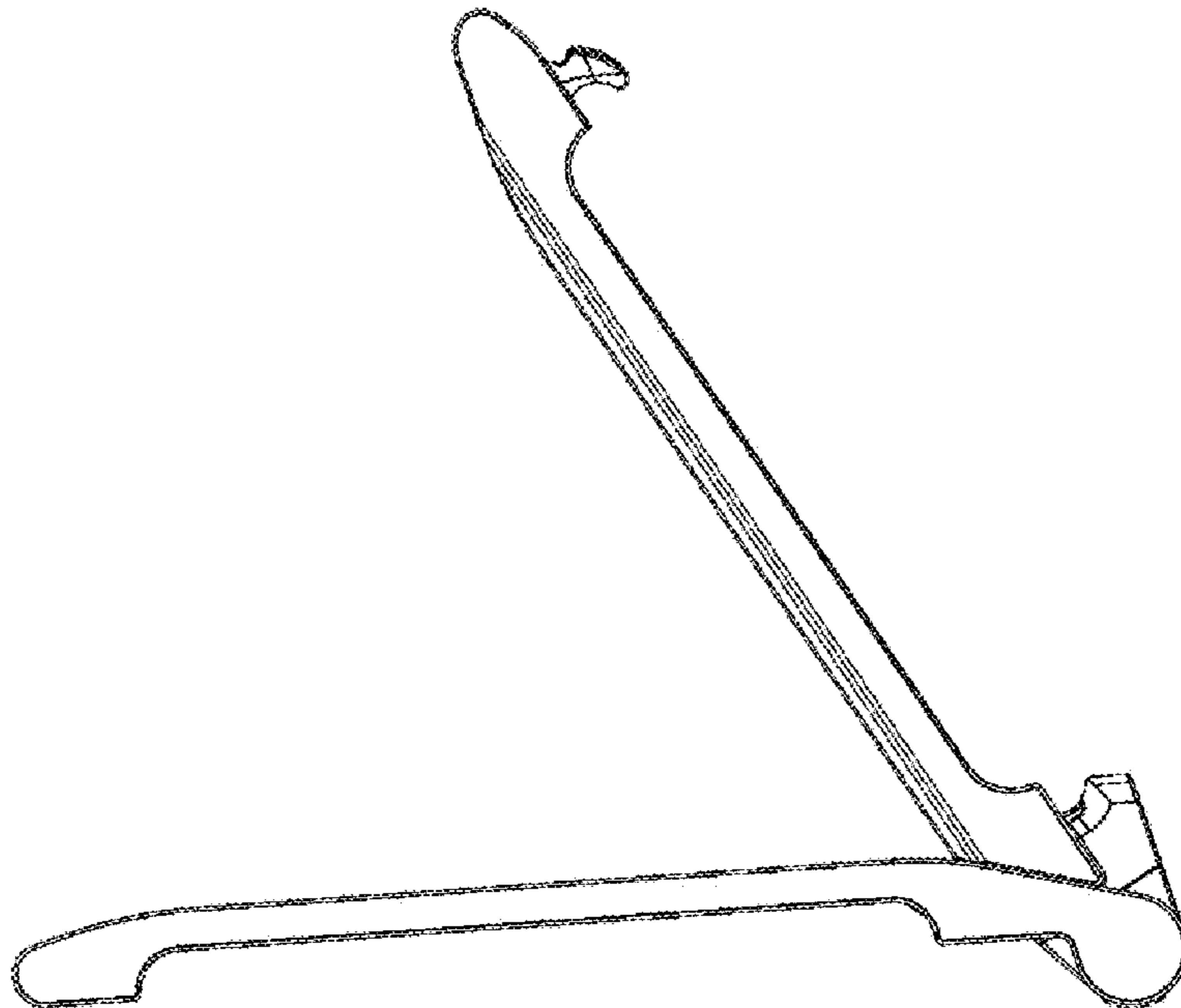


FIG. 12

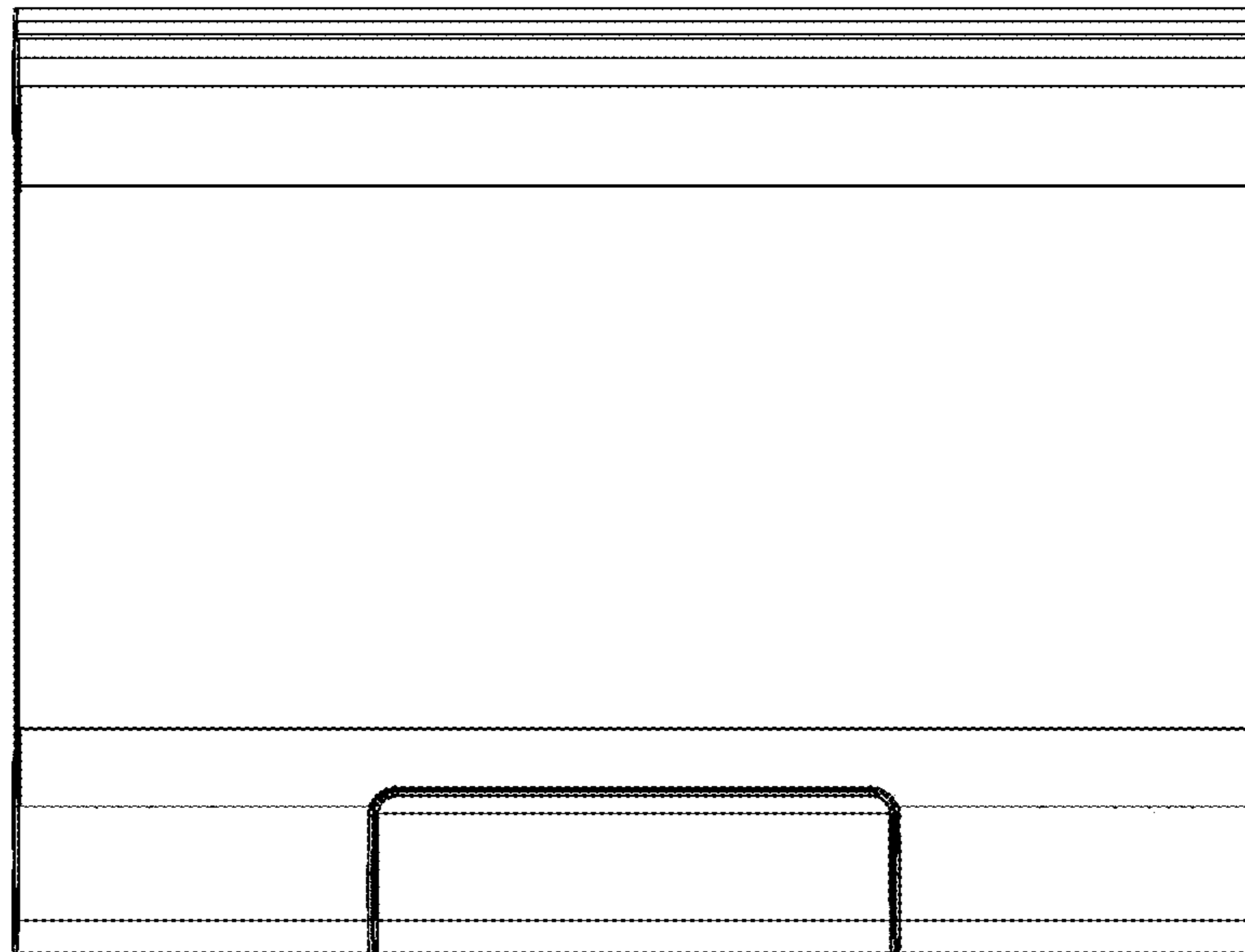


FIG. 13

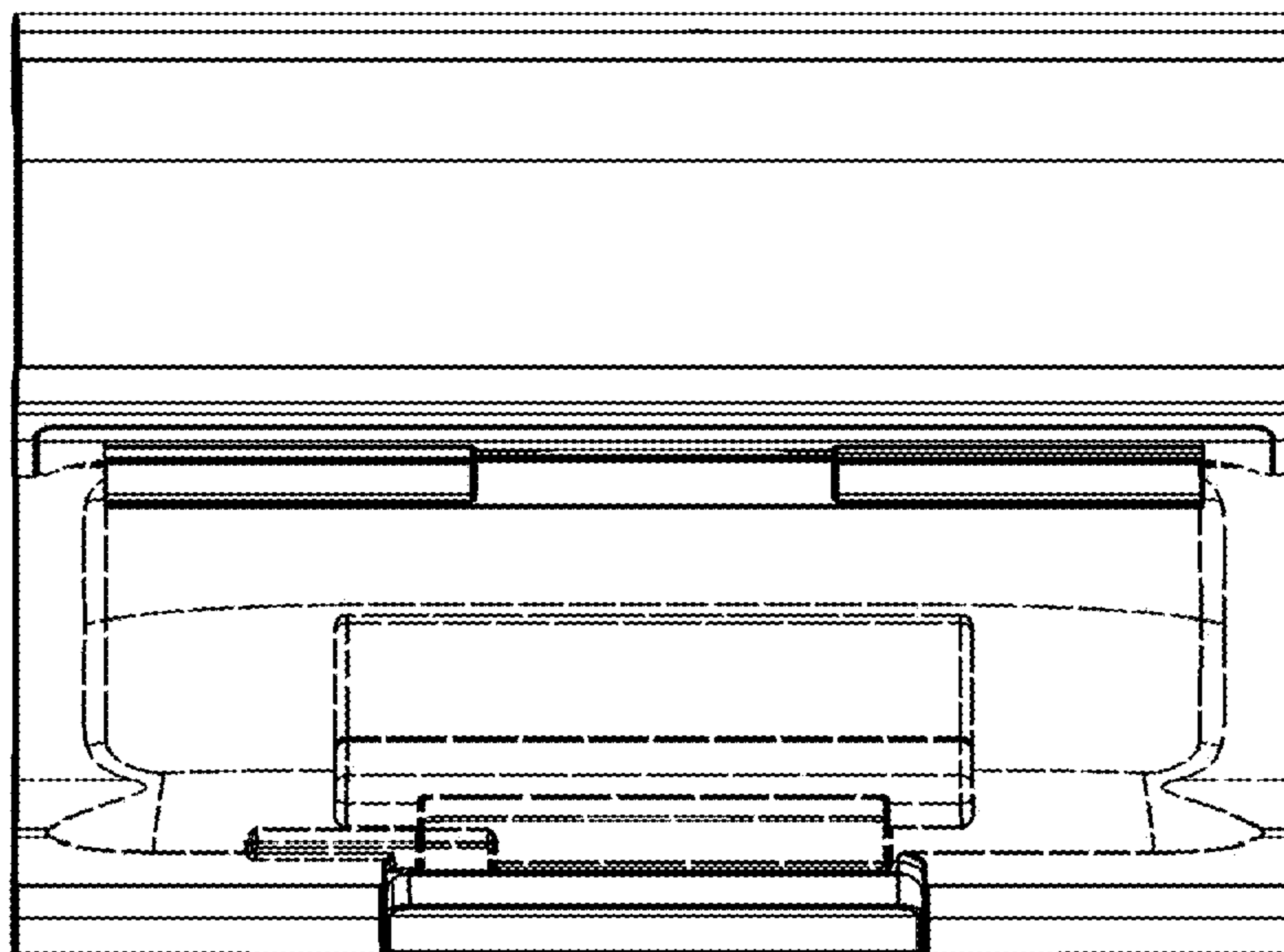


FIG. 14

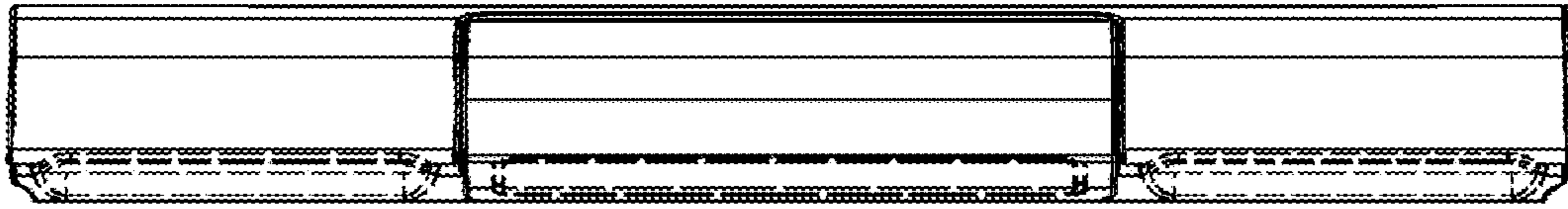


FIG. 15

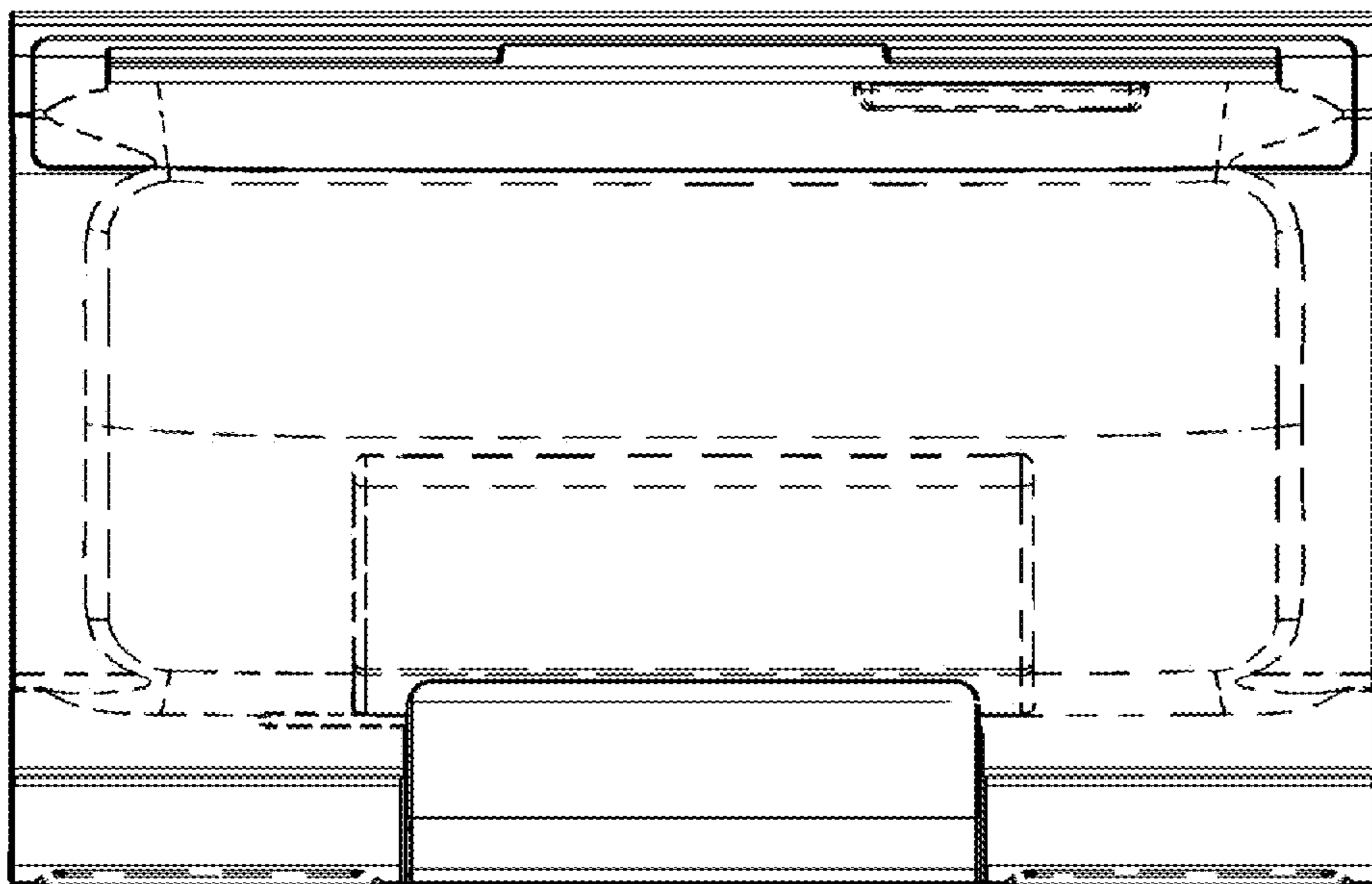


FIG. 16

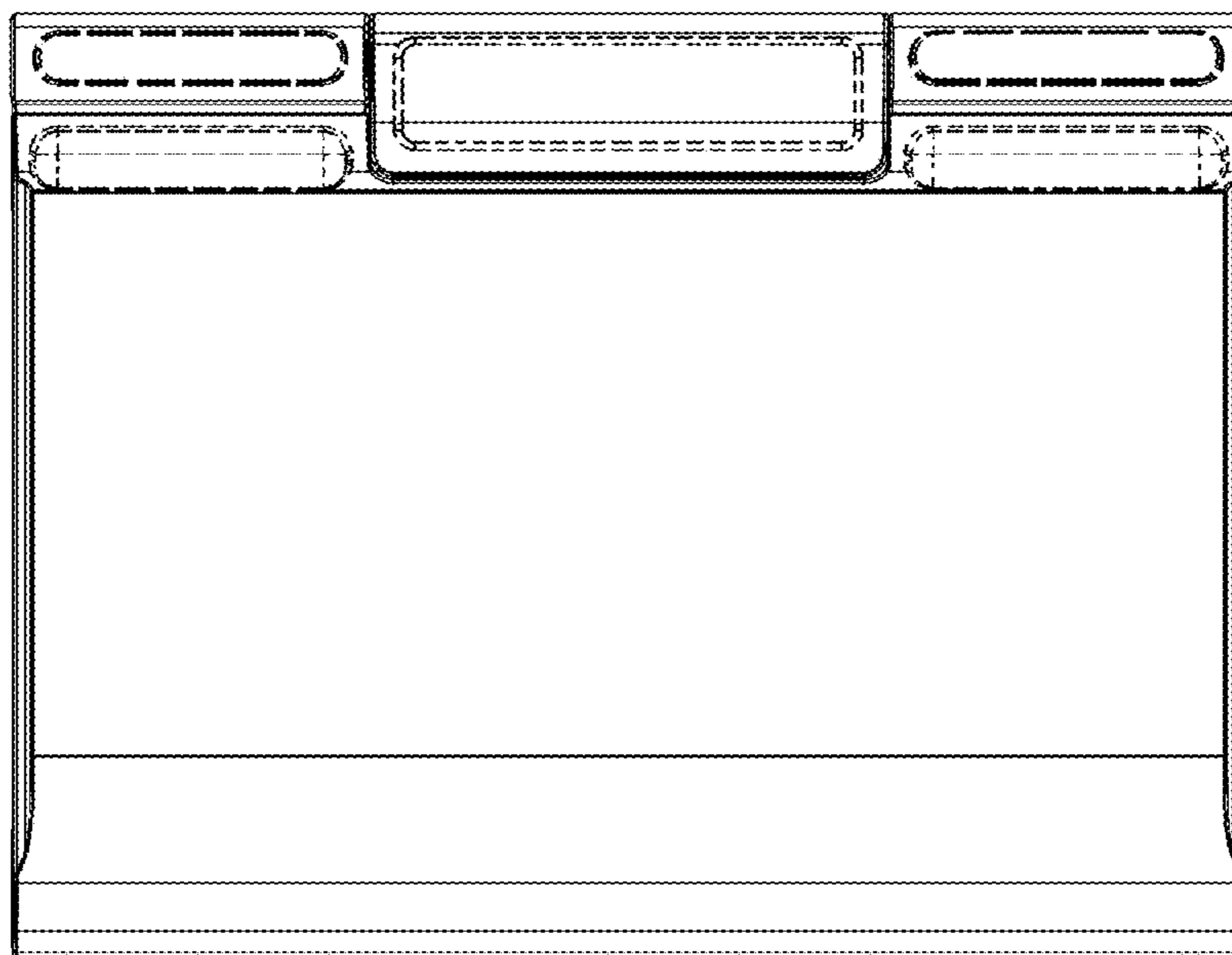


FIG. 17

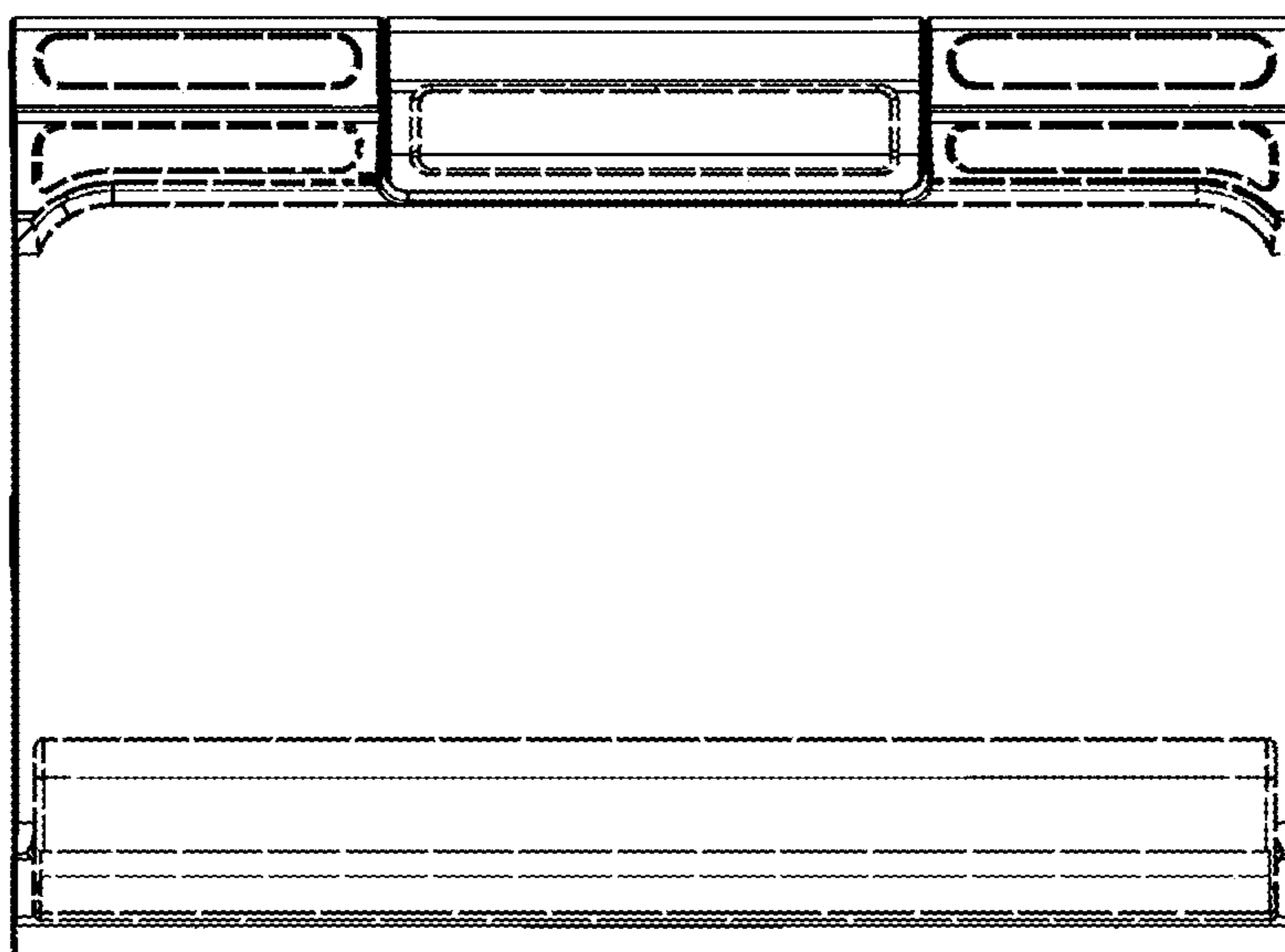


FIG. 18

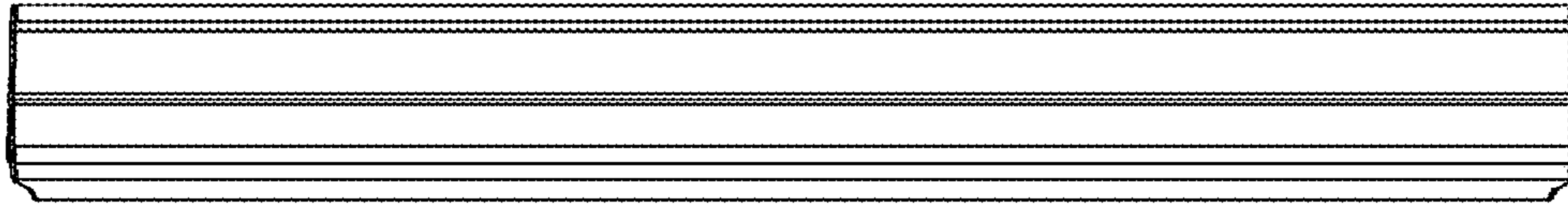


FIG. 19

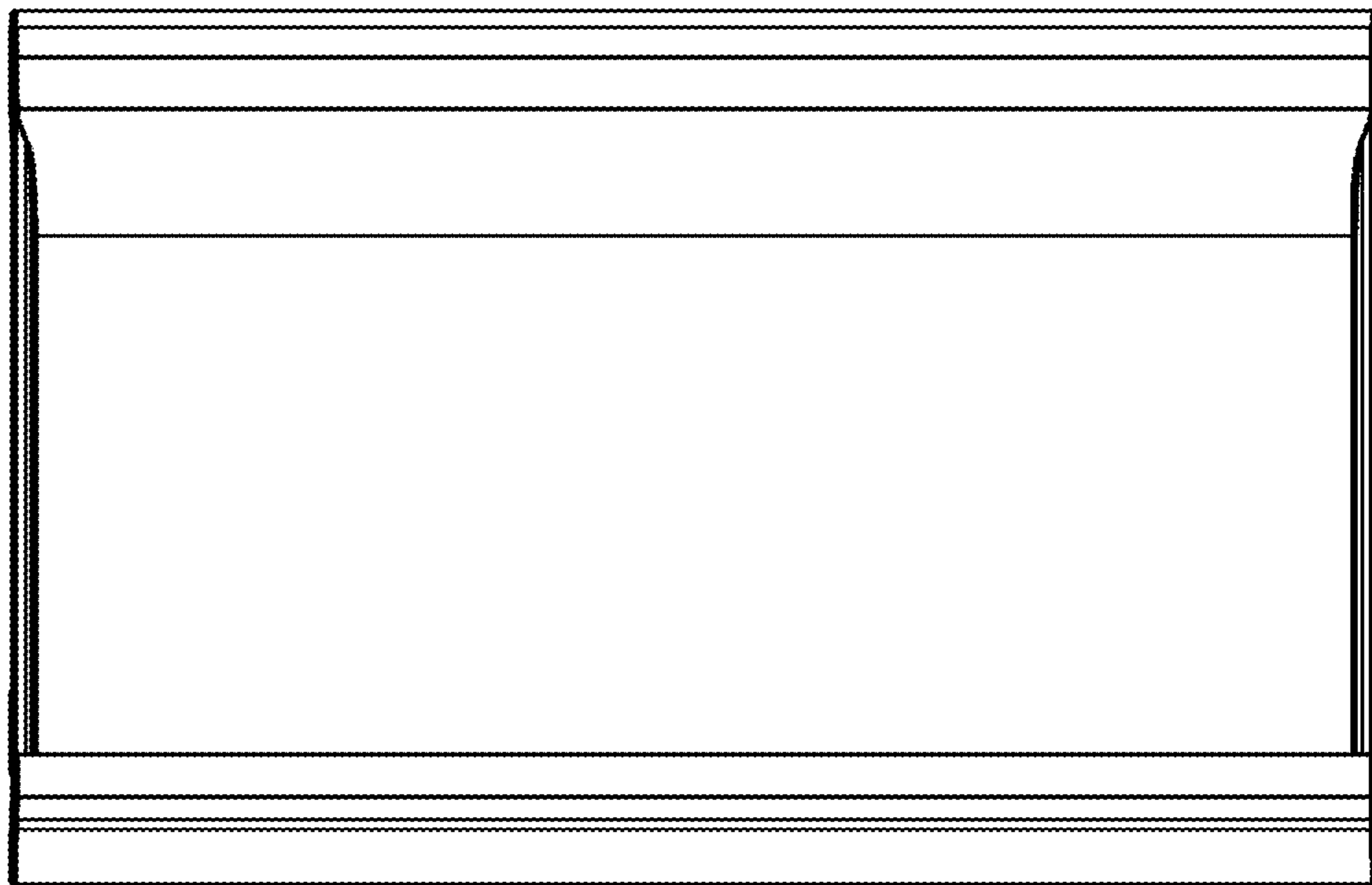


FIG. 20