



US00D639283S

(12) **United States Design Patent**  
**Ozawa et al.**

(10) **Patent No.:** **US D639,283 S**  
(45) **Date of Patent:** **\*\* Jun. 7, 2011**

(54) **EARPHONE**

(75) Inventors: **Hikomichi Ozawa**, Tokyo (JP); **Wataru Sakuma**, Kanagawa (JP)

(73) Assignee: **Kabushiki Kaisha Audio-Technica**, Tokyo (JP)

(\*\*) Term: **14 Years**

(21) Appl. No.: **29/365,674**

(22) Filed: **Jul. 13, 2010**

(30) **Foreign Application Priority Data**

Feb. 26, 2010 (JP) ..... 2010-004653

(51) **LOC (9) Cl.** ..... **14-01**

(52) **U.S. Cl.** ..... **D14/223**

(58) **Field of Classification Search** ..... D14/205,  
D14/206, 223; 181/129, 130, 135; 379/430,  
379/433.01, 433.02; 381/322, 370, 380,  
381/381; 455/90.3, 575.1

See application file for complete search history.

(56) **References Cited**

**U.S. PATENT DOCUMENTS**

4,588,867 A \* 5/1986 Konomi ..... 379/430  
D474,171 S \* 5/2003 Suzuki ..... D14/206

D539,268 S \* 3/2007 Suzuki ..... D14/206  
D542,782 S \* 5/2007 Pena Angarita ..... D14/223  
7,349,550 B2 \* 3/2008 Oliveira et al. .... 381/380  
D566,099 S \* 4/2008 Komiyama ..... D14/206  
D567,217 S \* 4/2008 Kamo et al. .... D14/205  
D582,889 S \* 12/2008 Bose et al. .... D14/205  
D584,284 S \* 1/2009 Carr et al. .... D14/206  
D587,249 S \* 2/2009 Densho ..... D14/223  
D607,880 S \* 1/2010 Chung et al. .... D14/223  
D618,211 S \* 6/2010 Oguro et al. .... D14/205  
D618,669 S \* 6/2010 Johnson et al. .... D14/223

\* cited by examiner

*Primary Examiner* — Paula Greene

(74) *Attorney, Agent, or Firm* — Whitham Curtis  
Christofferson & Cook, PC

(57) **CLAIM**

We claim the ornamental design for the earphone, as shown and described.

**DESCRIPTION**

FIG. 1 is a front elevational view of the earphone;  
FIG. 2 is a rear elevational view of the earphone;  
FIG. 3 is a top plan view of the earphone;  
FIG. 4 is a bottom plan view of the earphone;  
FIG. 5 is a right side elevational view of the earphone;  
FIG. 6 is a left side elevational view of the earphone; and,  
FIG. 7 is a perspective view of the earphone.

**1 Claim, 7 Drawing Sheets**

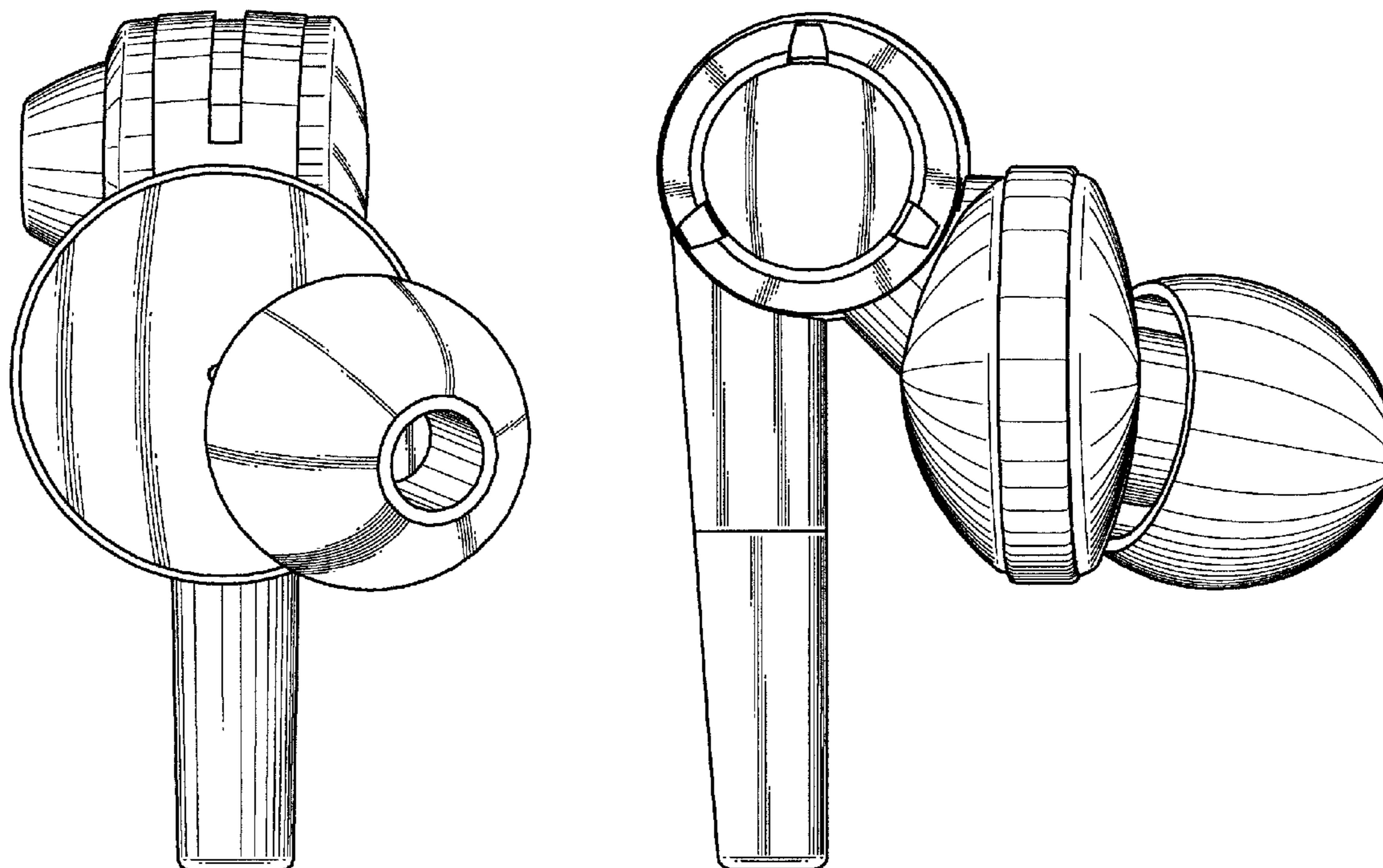


FIGURE 1

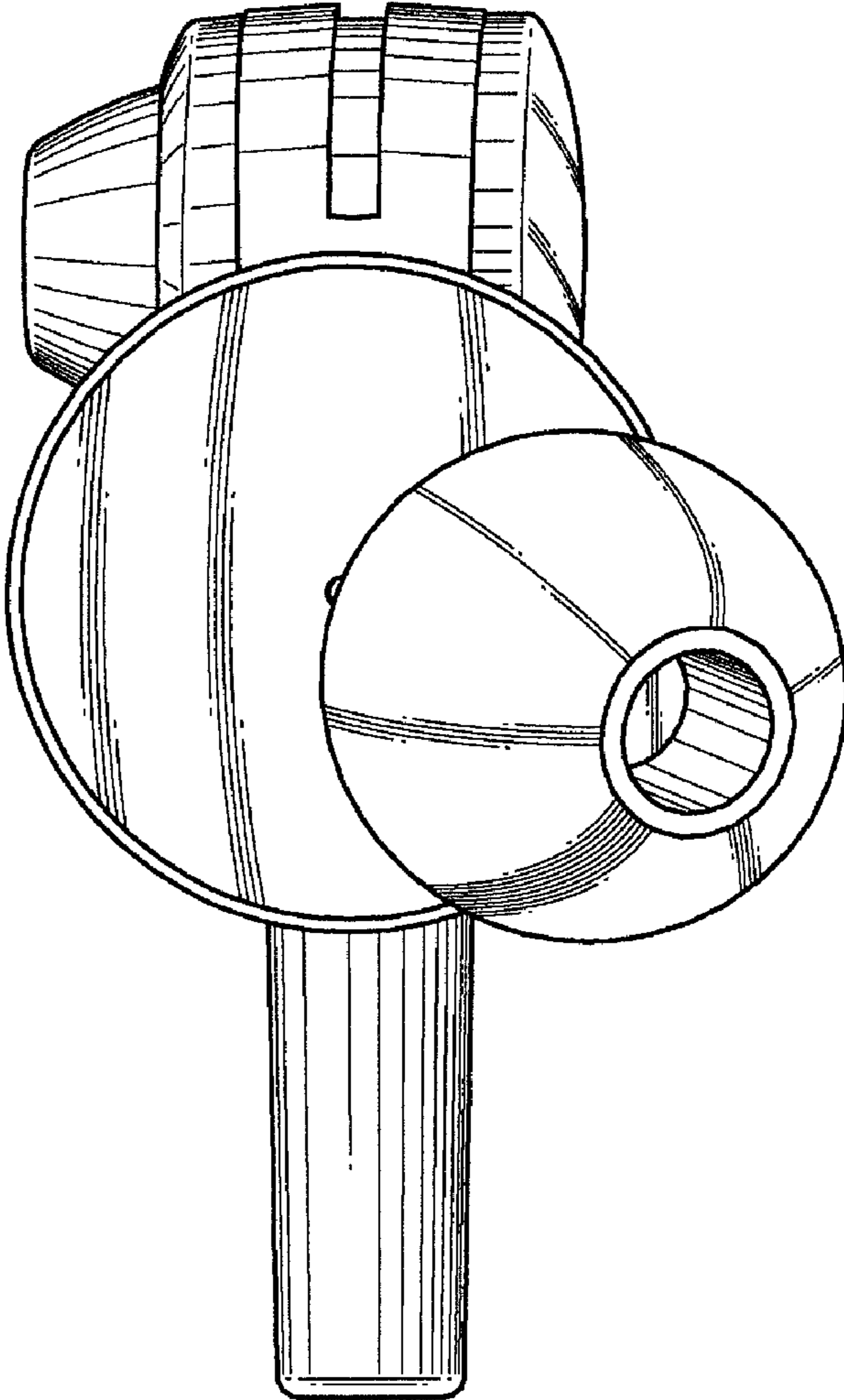


FIGURE 2

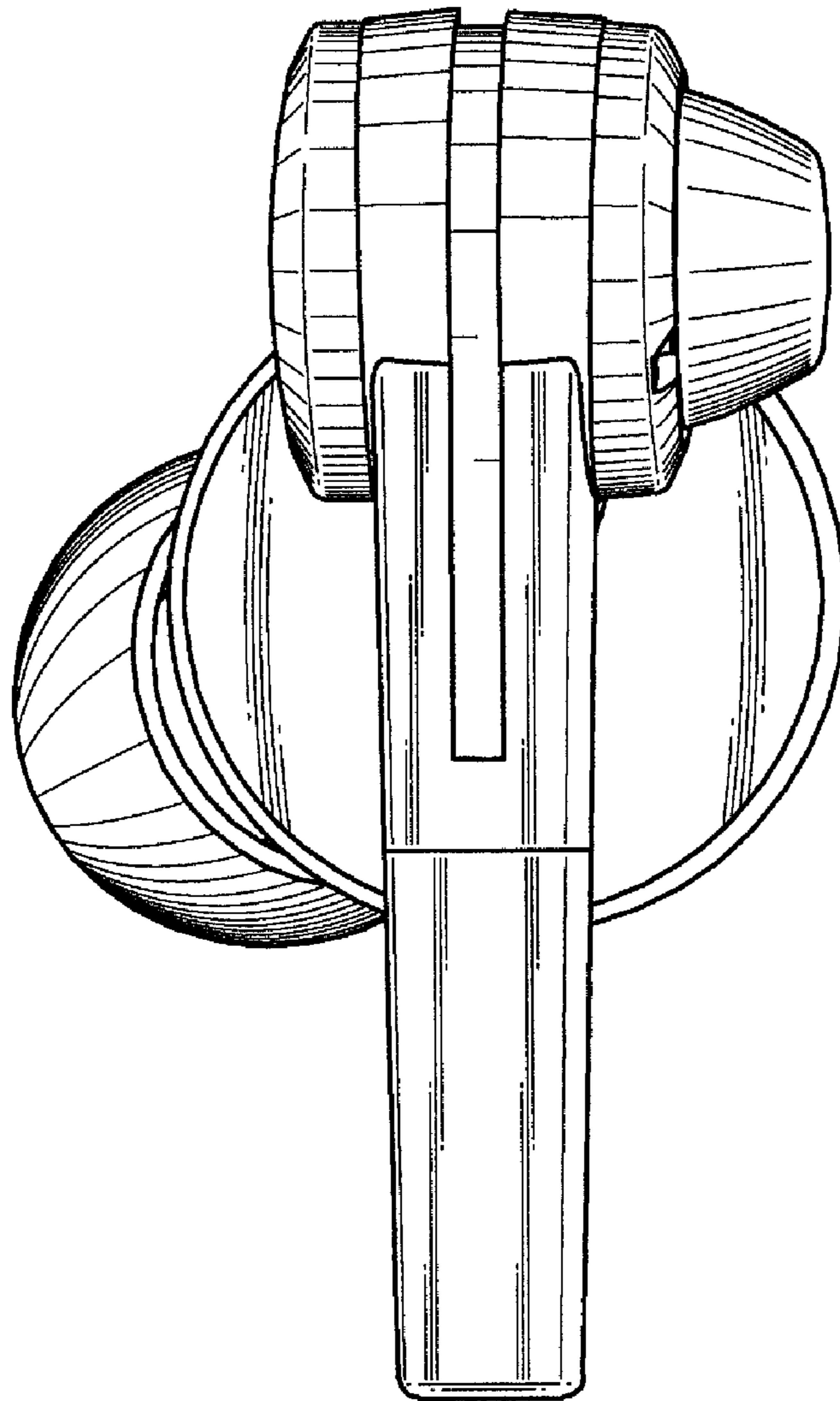


FIGURE 3

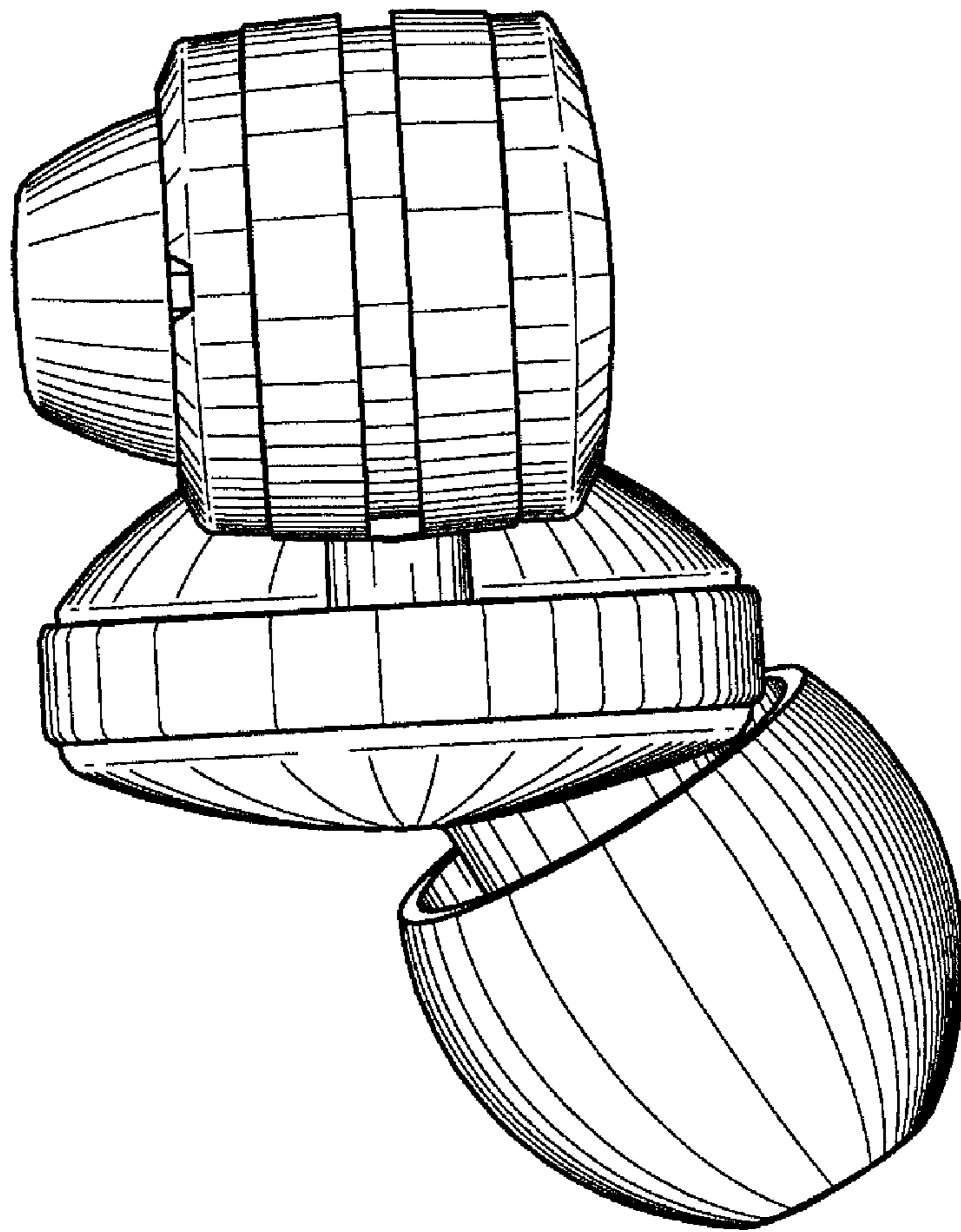


FIGURE 4

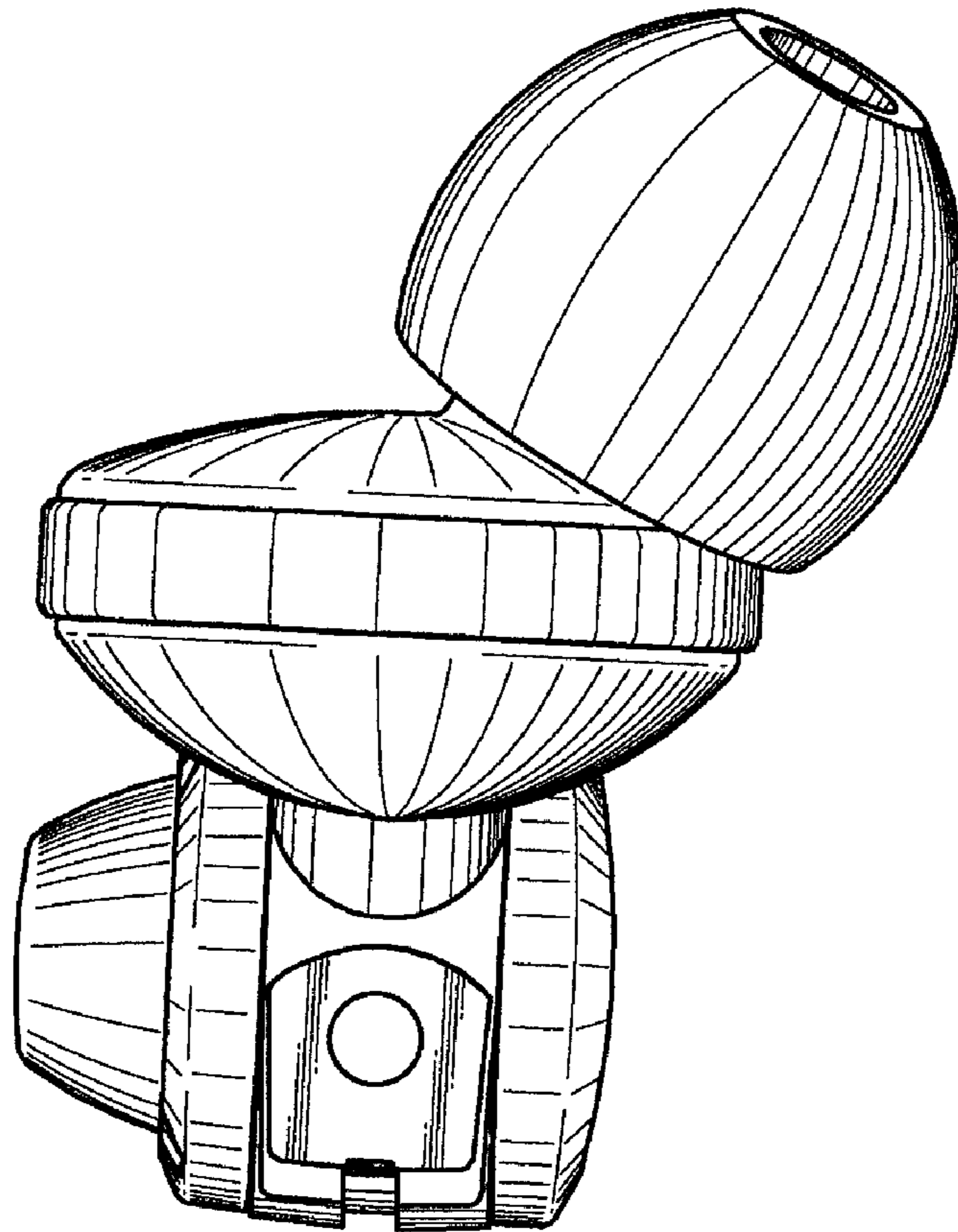


FIGURE 5

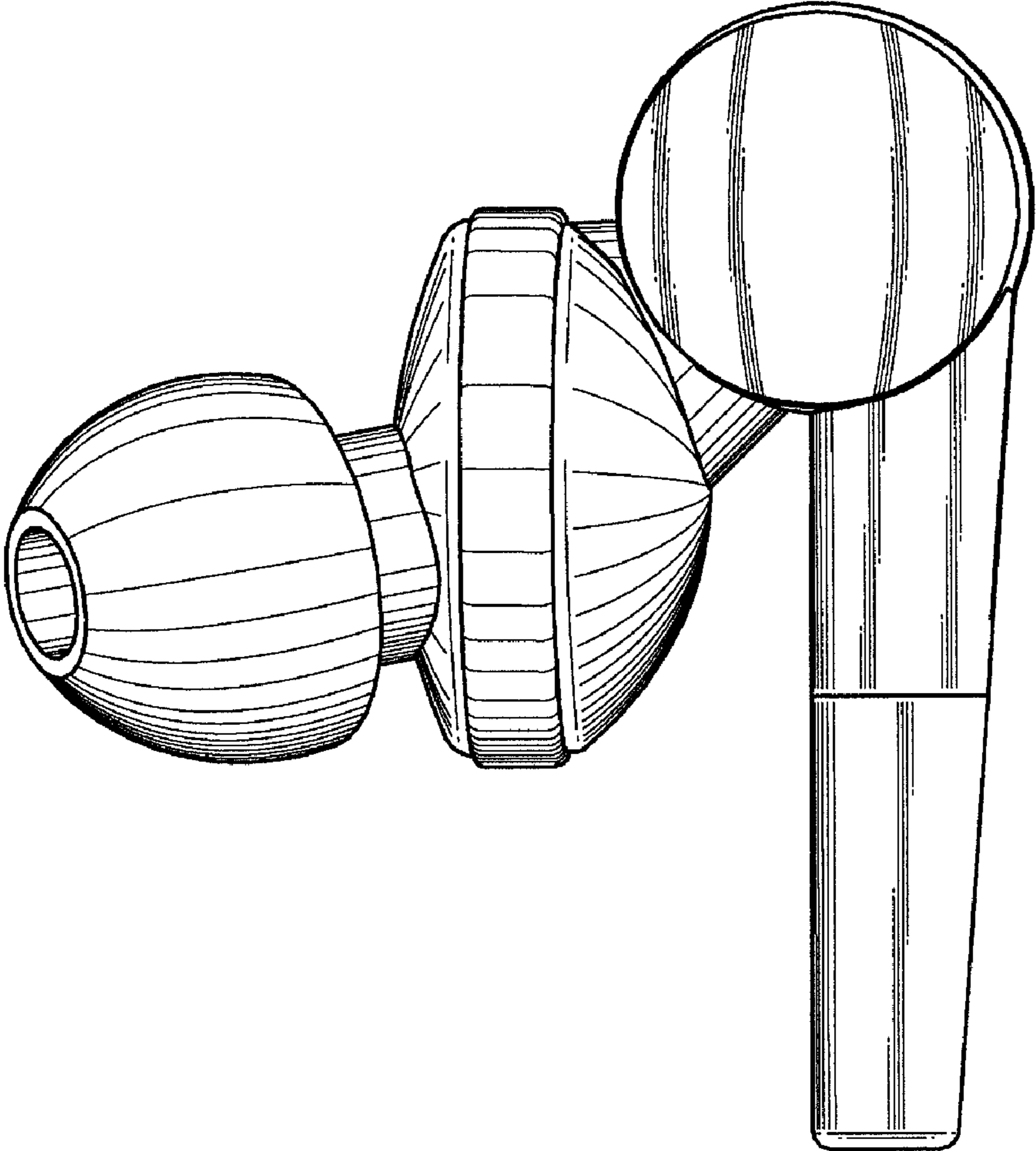


FIGURE 6

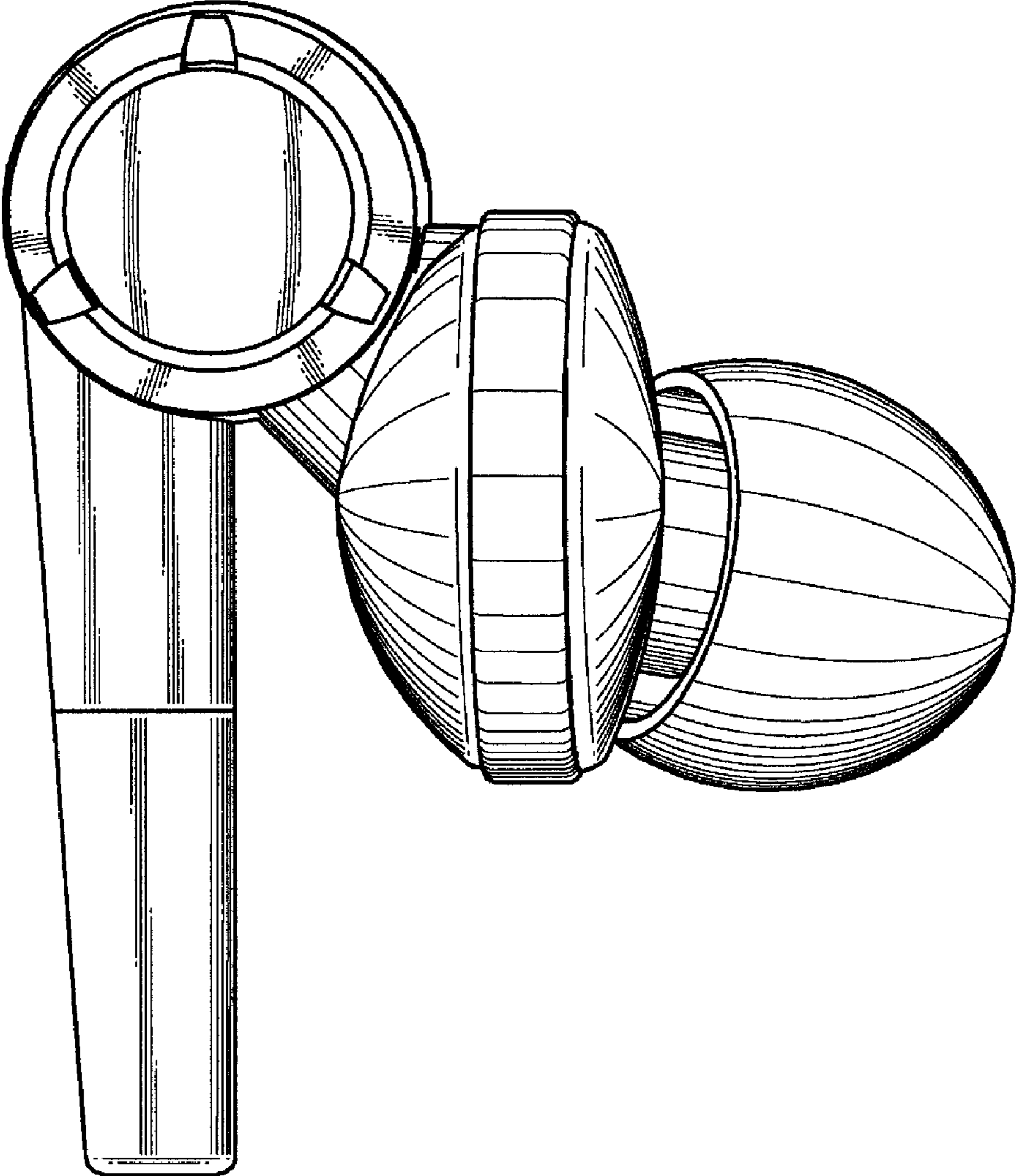


FIGURE 7

