

US00D639274S

(12) **United States Design Patent**  
**Garrett**

(10) **Patent No.:** **US D639,274 S**  
(45) **Date of Patent:** **\*\* Jun. 7, 2011**

(54) **MEDIA DOCKING ALARM CLOCK  
SPEAKER SYSTEM**

D565,594 S \* 4/2008 Poandl ..... D14/496  
D577,001 S \* 9/2008 Garrett ..... D14/168  
D577,743 S \* 9/2008 Liu ..... D14/496  
D581,899 S \* 12/2008 Skurdal ..... D14/215

(75) Inventor: **Jennifer Elizabeth Garrett**, Ardsley, PA  
(US)

\* cited by examiner

(73) Assignee: **SDI Technologies, Inc.**, Rahway, NJ  
(US)

*Primary Examiner* — Nanda Bondade  
(74) *Attorney, Agent, or Firm* — Ostrolenk Faber LLP

(\*\*) Term: **14 Years**

(57) **CLAIM**

(21) Appl. No.: **29/363,611**

The ornamental design for a media docking alarm clock speaker system, as shown and described.

(22) Filed: **Jun. 11, 2010**

**DESCRIPTION**

(51) **LOC (9) Cl.** ..... **14-01**

(52) **U.S. Cl.** ..... **D14/209.1; D14/171**

(58) **Field of Classification Search** ..... D14/496,  
D14/498-511, 167-168, 170-172, 188, 197-198,  
D14/204, 207, 209.1, 214-216; 360/99.02,  
360/99.07; 369/75.11, 75.21, 77.11, 77.21;  
720/601, 612, 619, 649, 655; 455/344, 347-351;  
D10/1, 2, 15

FIG. 1 is a front, perspective view of a media docking alarm clock speaker system showing my new design;  
FIG. 2 is a front view thereof;  
FIG. 3 is a rear view thereof;  
FIG. 4 is a top view thereof;  
FIG. 5 is a bottom view thereof;  
FIG. 6 is a side view thereof, the opposite side view being a mirror image; and,  
FIG. 7 is a cross sectional view thereof at the arrows 7-7 in FIG. 2.

See application file for complete search history.

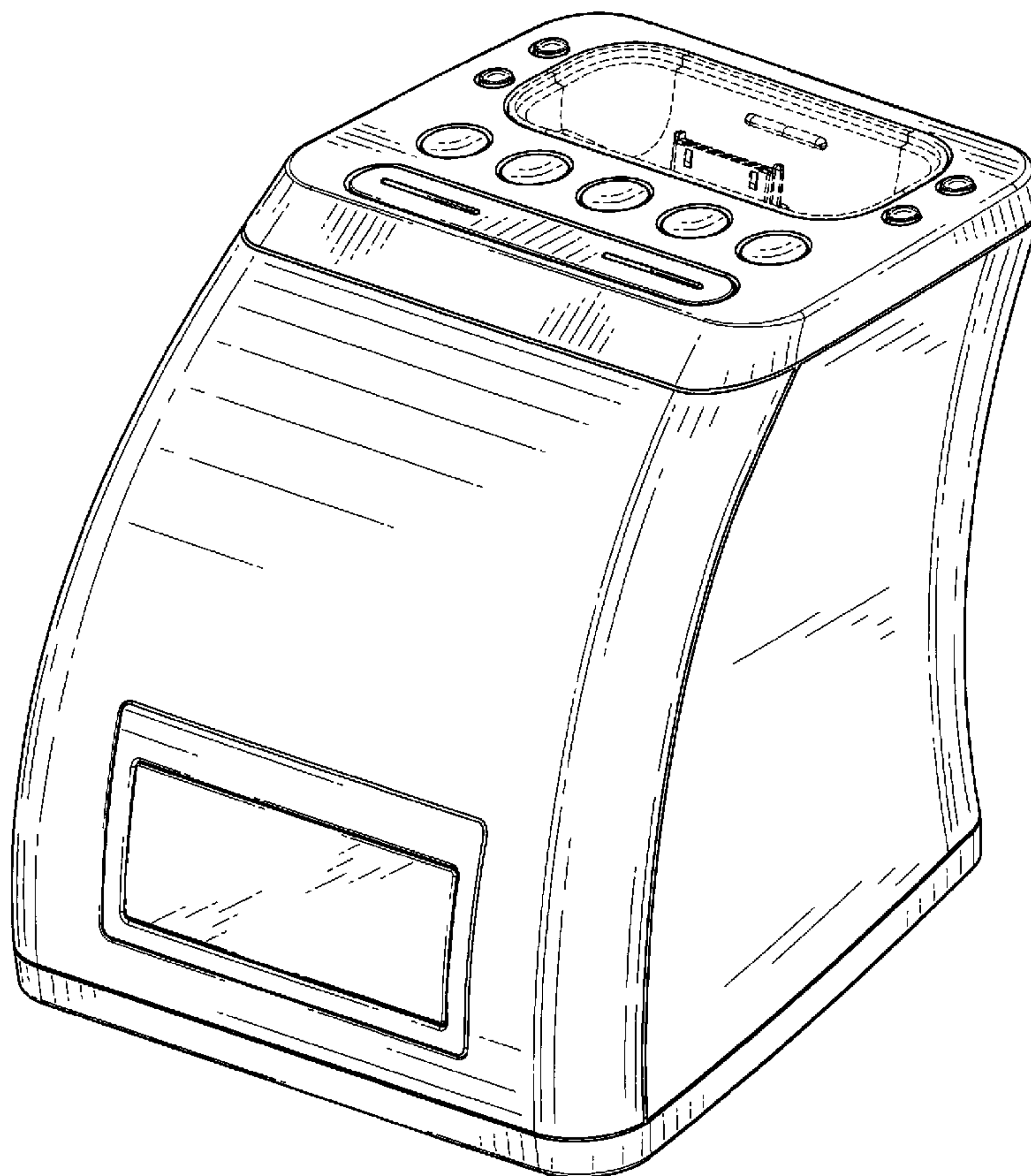
The broken lines in the drawings illustrate environmental material that forms no part of the claimed design.

(56) **References Cited**

U.S. PATENT DOCUMENTS

D538,264 S \* 3/2007 Peersman ..... D14/209.1  
D561,166 S \* 2/2008 Skurdal ..... D14/171

**1 Claim, 7 Drawing Sheets**



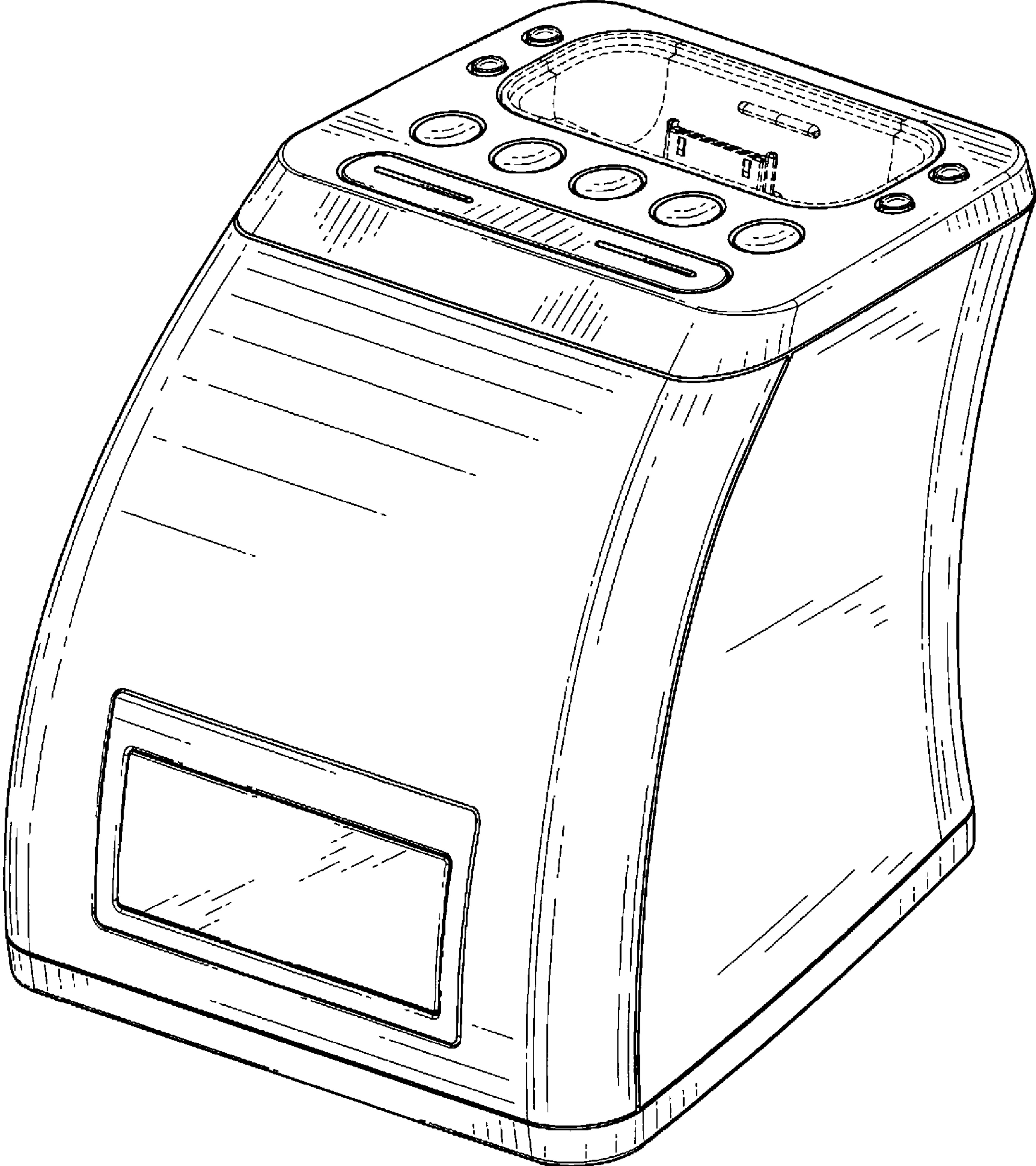


FIG. 1

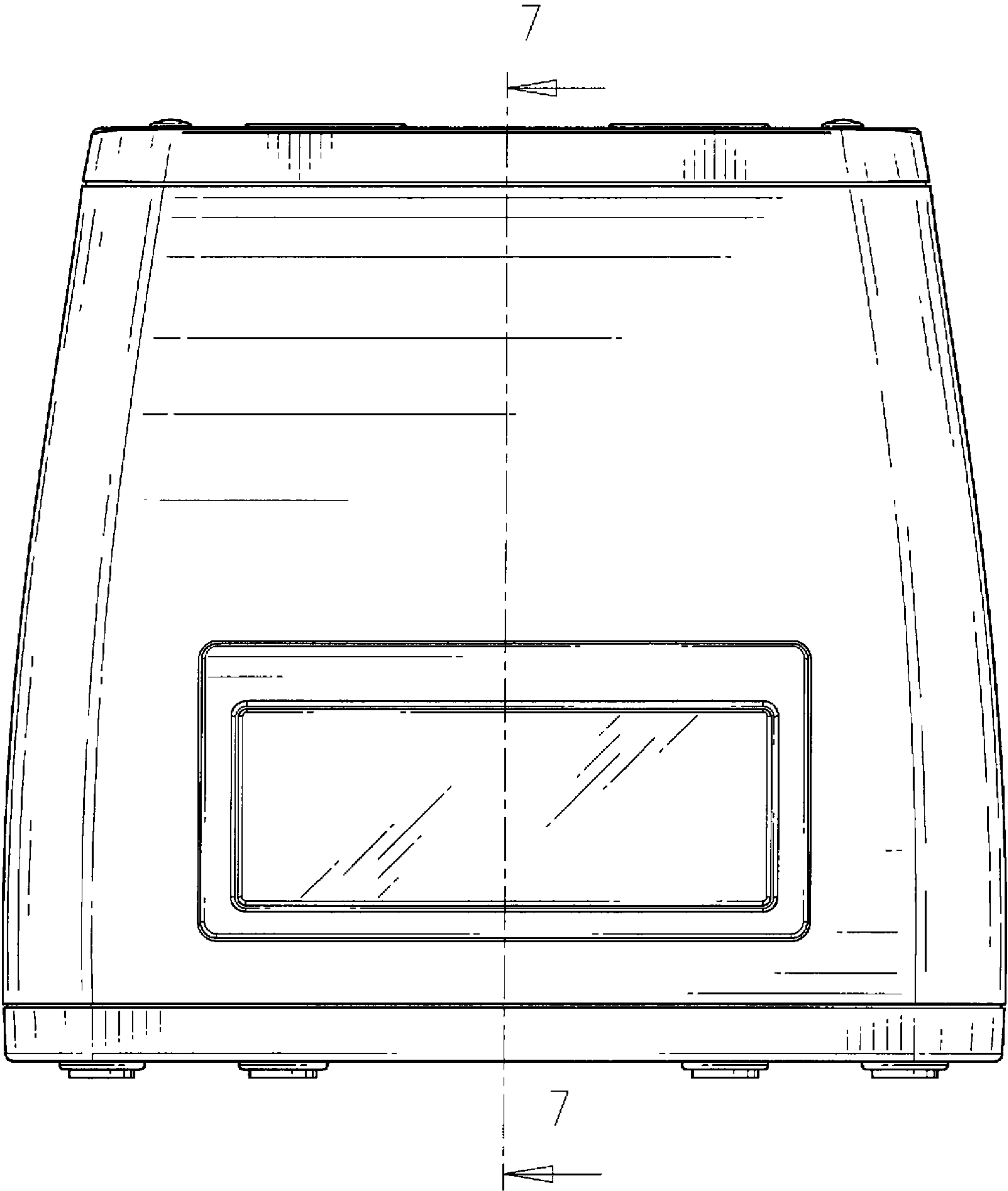


FIG. 2

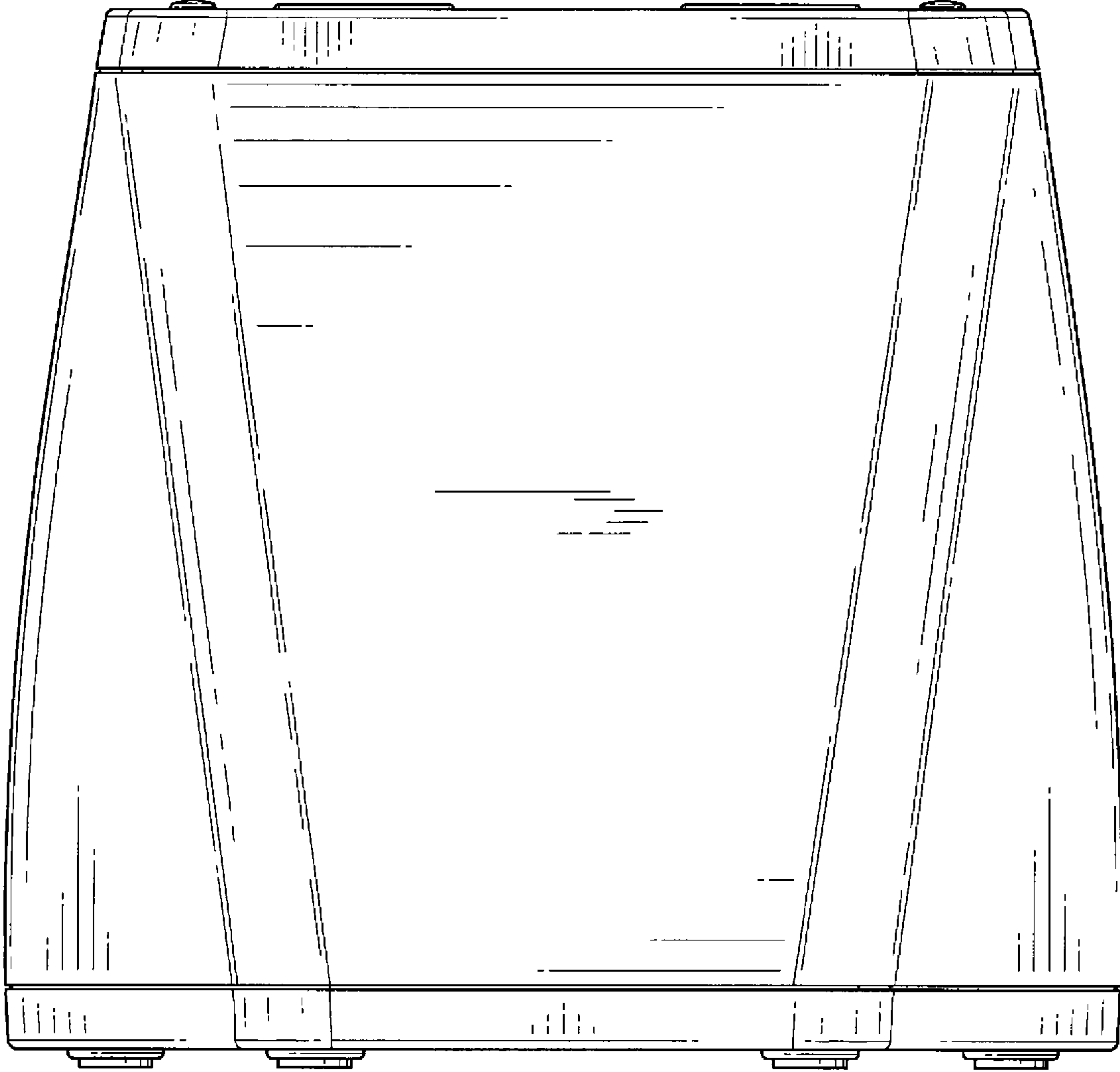


FIG. 3

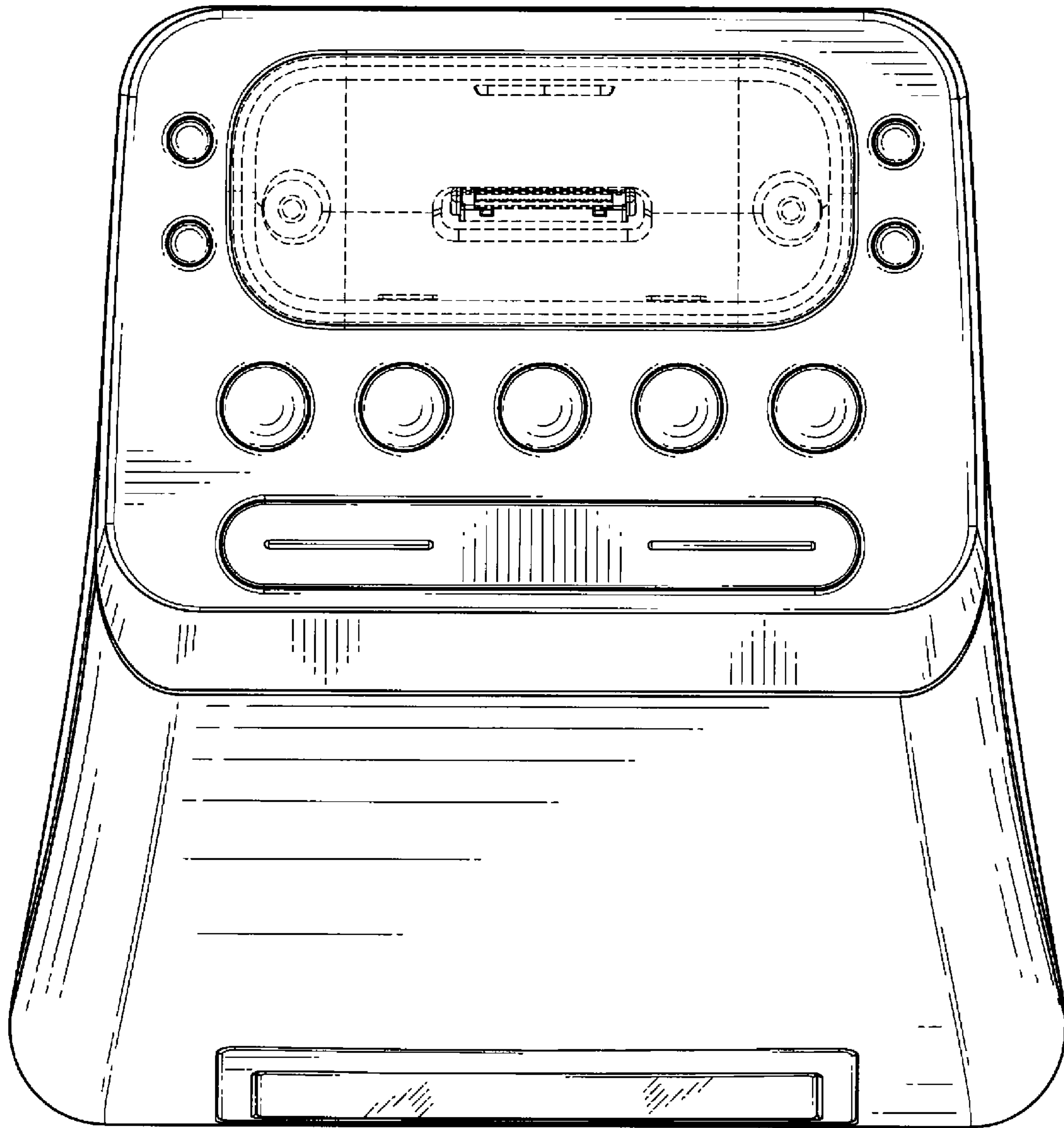


FIG. 4



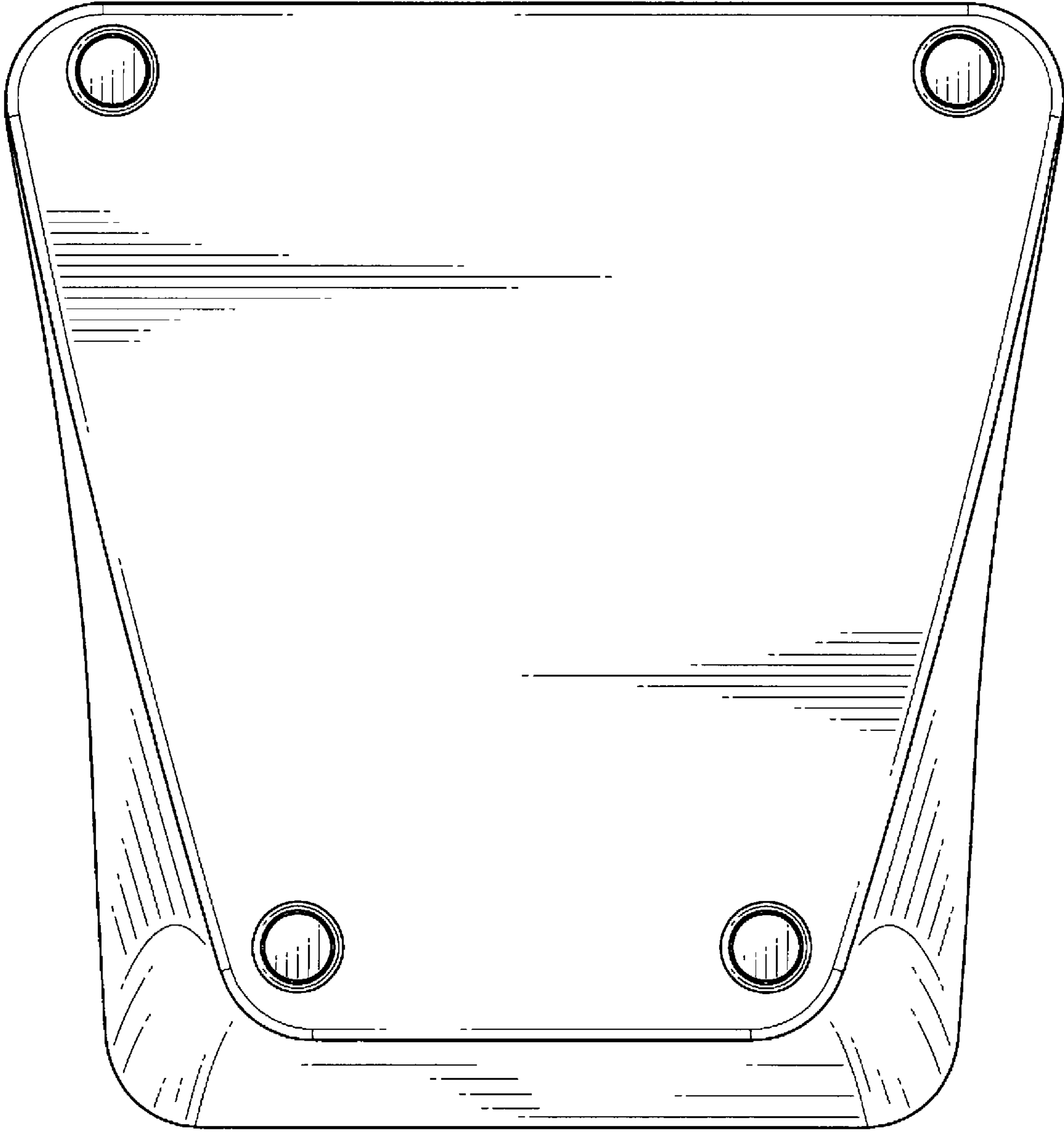


FIG. 5

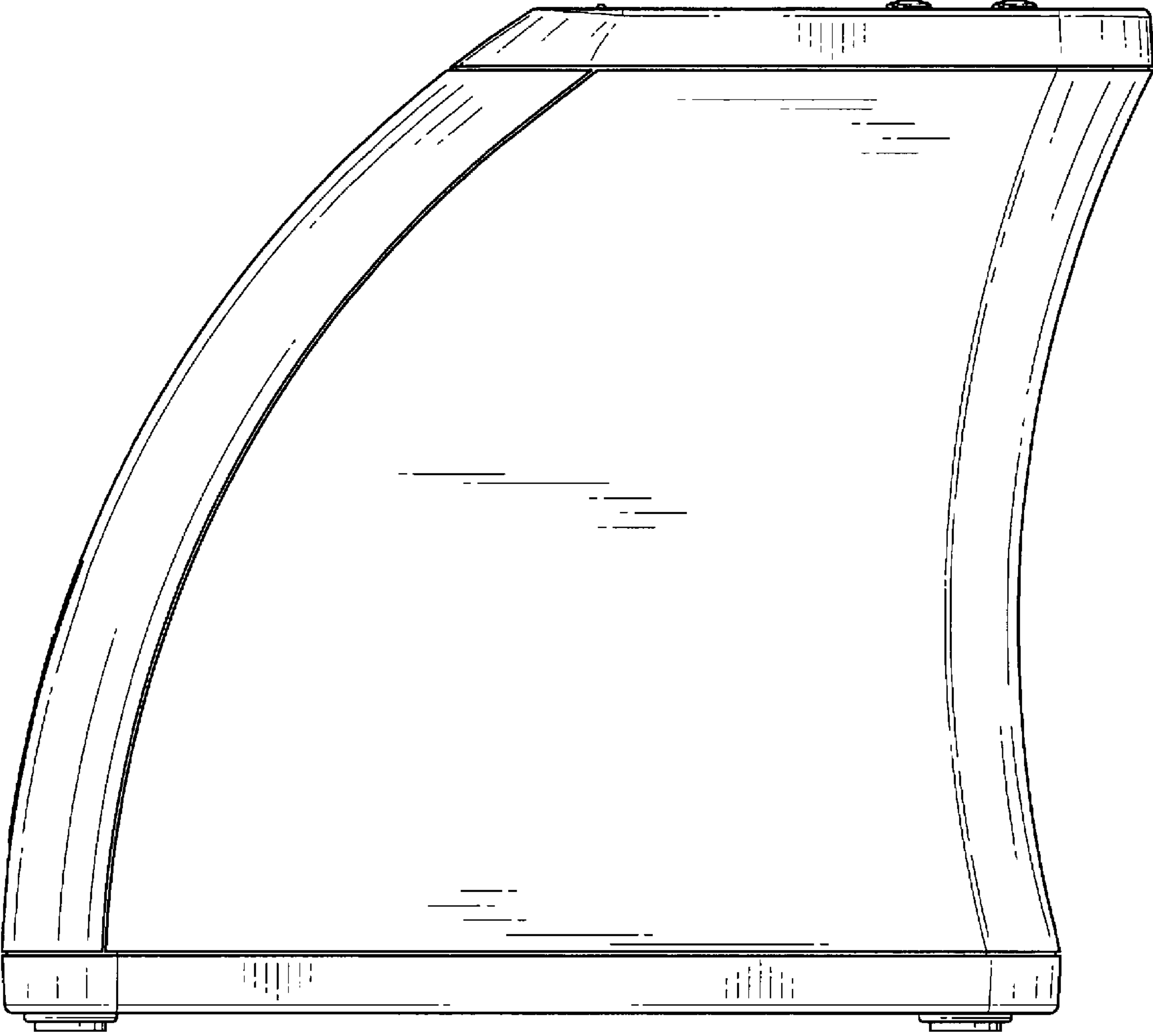


FIG. 6

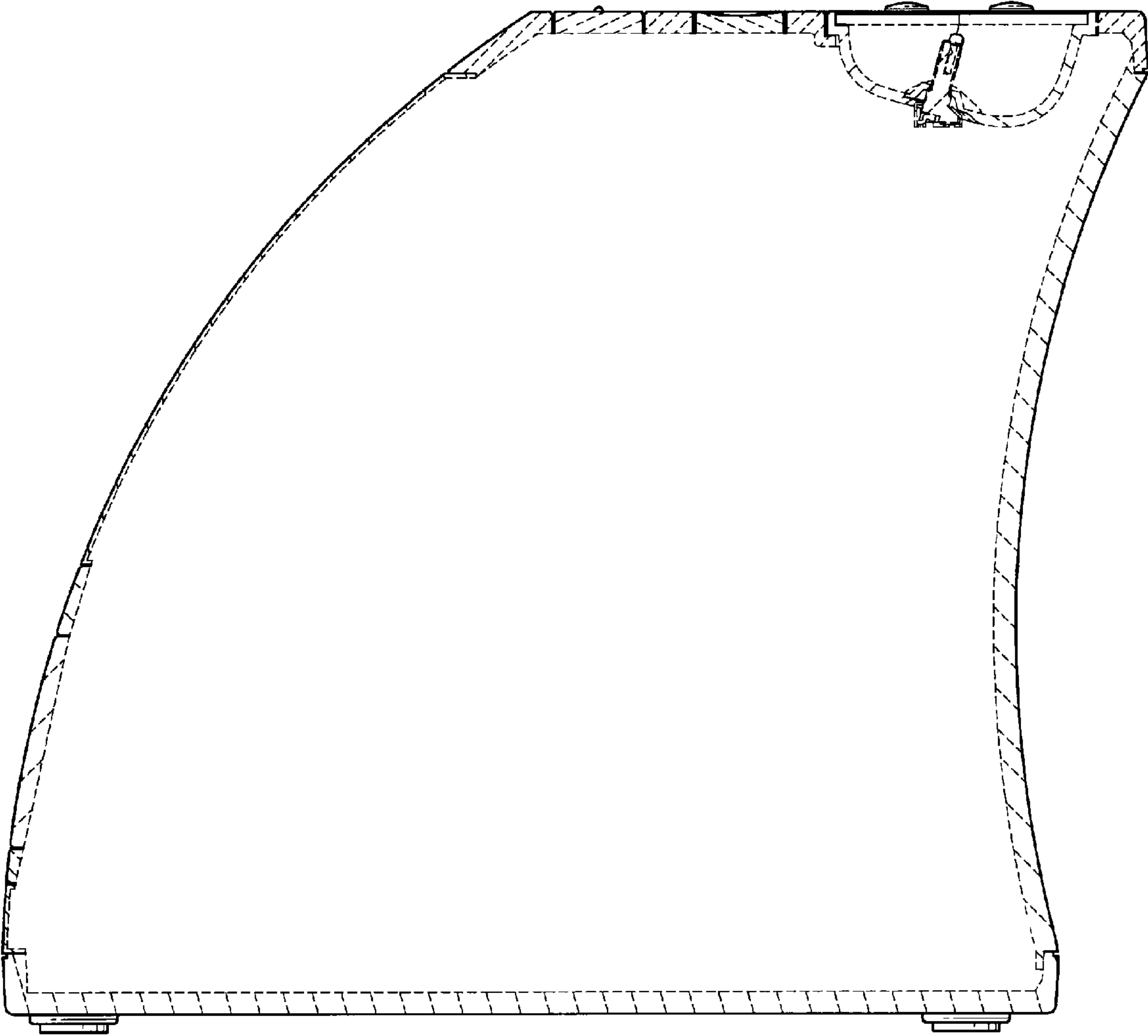


FIG. 7