



US00D639272S

(12) **United States Design Patent**
Chow

(10) **Patent No.:** **US D639,272 S**

(45) **Date of Patent:** **** Jun. 7, 2011**

(54) **DOCKING SPEAKER FOR MEDIA PLAYER**

(56)

References Cited

(75) Inventor: **Kim Fung Chow**, Hong Kong SAR
(CN)

(73) Assignee: **Alco Electronics Limited**, Quarry Bay,
Hong Kong SAR (CN)

(**) Term: **14 Years**

(21) Appl. No.: **29/356,543**

(22) Filed: **Feb. 26, 2010**

(30) **Foreign Application Priority Data**

Sep. 4, 2009 (HK) 0901438.8M003

(51) **LOC (9) Cl.** **14-01**

(52) **U.S. Cl.** **D14/209.1**

(58) **Field of Classification Search** D14/204,
D14/207, 209.1, 210-214, 168, 171-172,
D14/496, 498-510; 181/143-144, 147-148,
181/150-153, 157, 198-199; 381/300-303,
381/306, 332-333, 336, 345, 361-364, 386-388

See application file for complete search history.

U.S. PATENT DOCUMENTS

D514,090 S * 1/2006 Carbone et al. D14/209.1
D527,018 S * 8/2006 Christianson D14/203.8
D591,308 S * 4/2009 Sasaki et al. D14/496
D598,005 S * 8/2009 Amano D14/209.1

* cited by examiner

Primary Examiner — Nanda Bondade

(74) *Attorney, Agent, or Firm* — Leydig, Voit & Mayer, Ltd.

(57)

CLAIM

The ornamental design for a docking speaker for media player, as shown and described.

DESCRIPTION

FIG. 1 is a front view of a docking speaker for media player showing my new design;

FIG. 2 is a rear view thereof;

FIG. 3 is a left side view thereof;

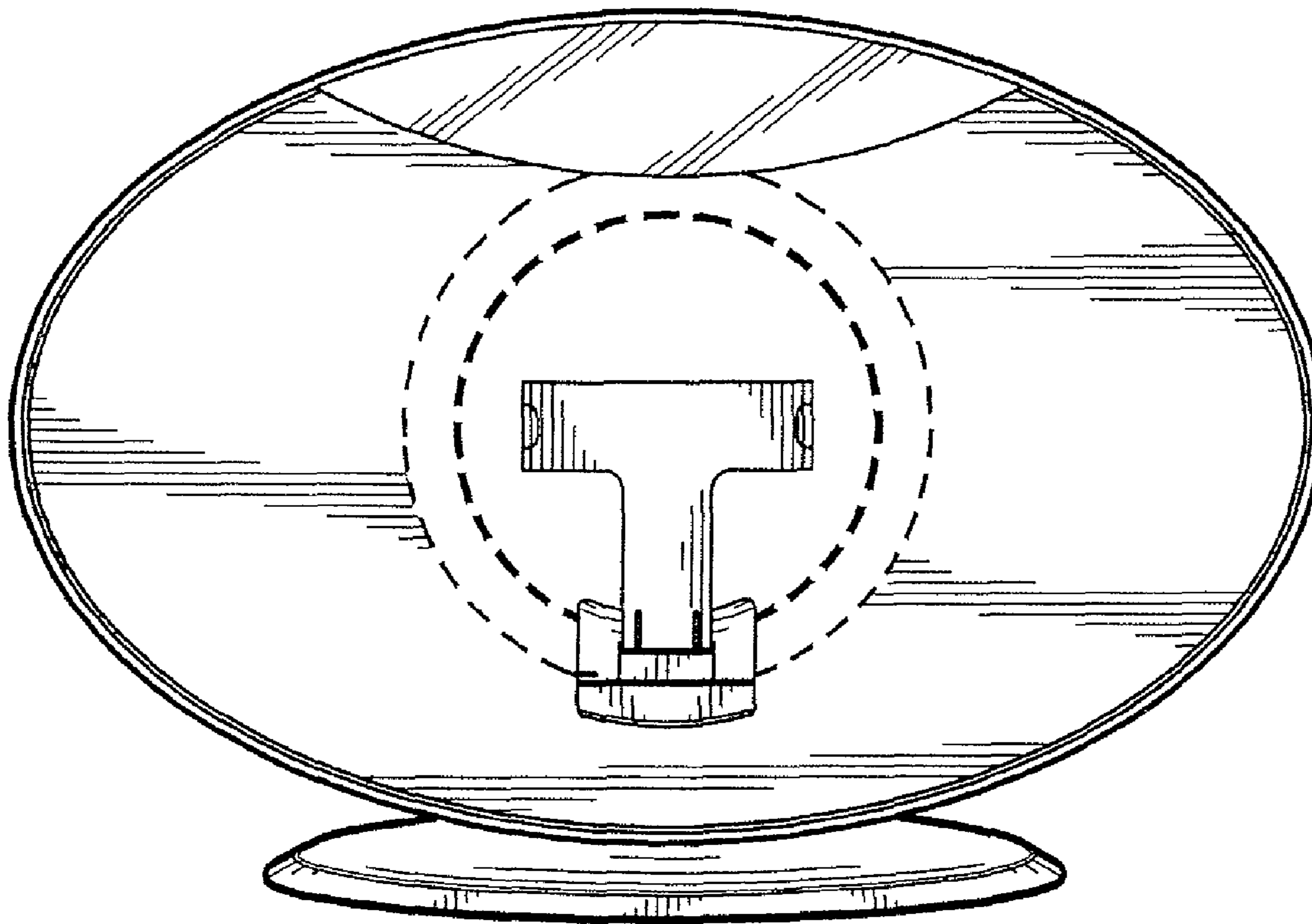
FIG. 4 is a right side view thereof;

FIG. 5 is a top view thereof; and,

FIG. 6 is a bottom view thereof.

The features shown in broken lines depict environmental subject matter only and form no part of the claimed design.

1 Claim, 3 Drawing Sheets



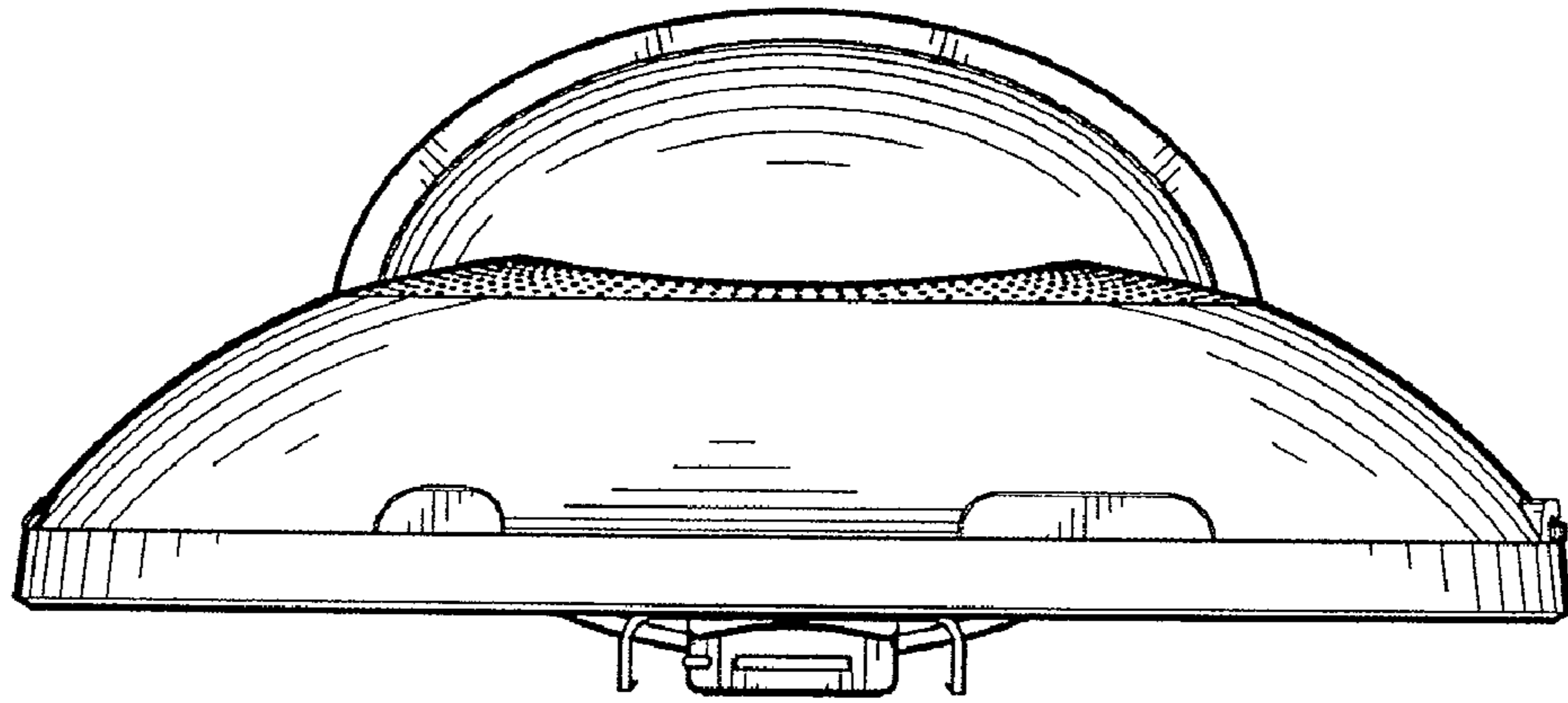


FIG. 5

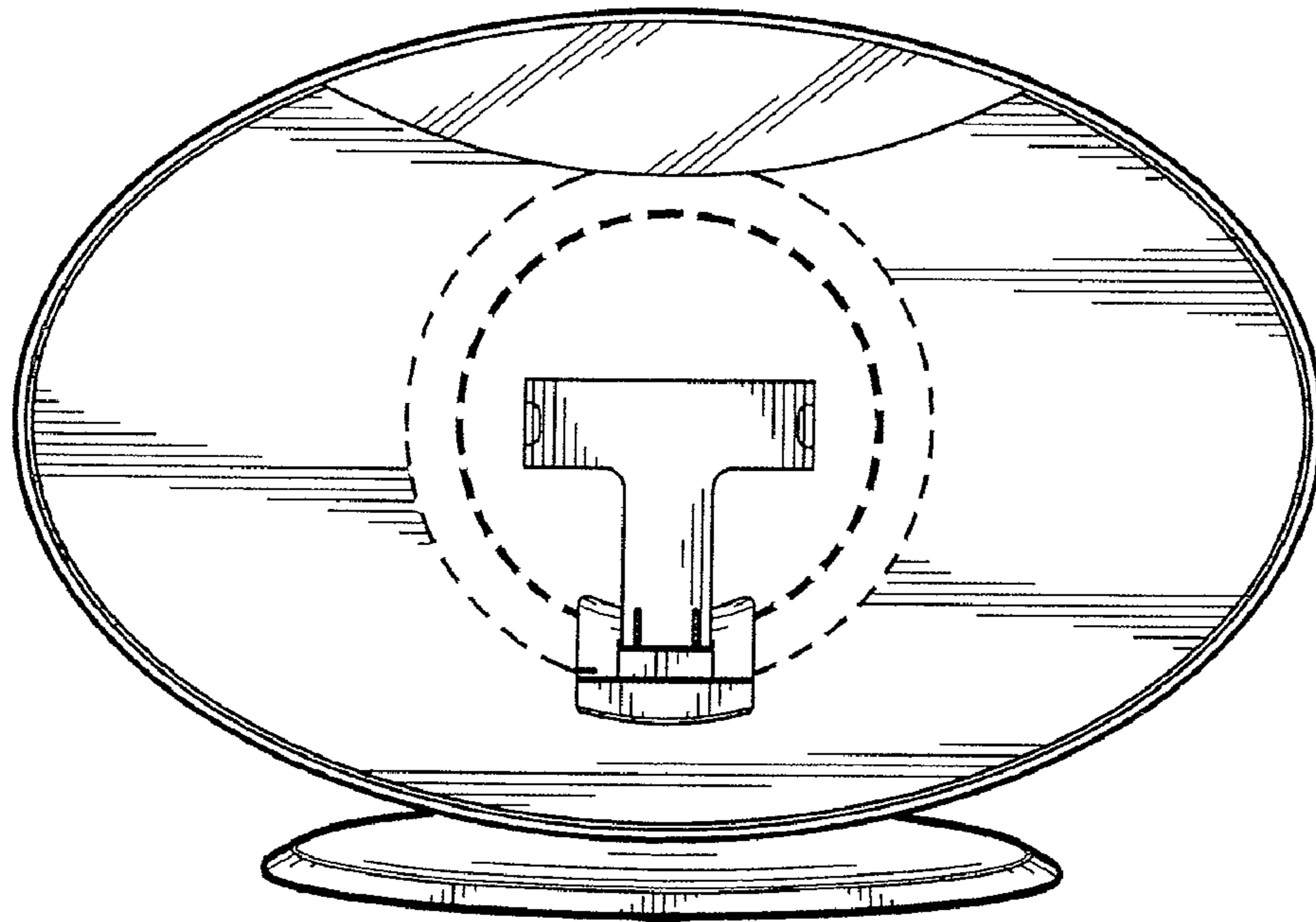


FIG. 1

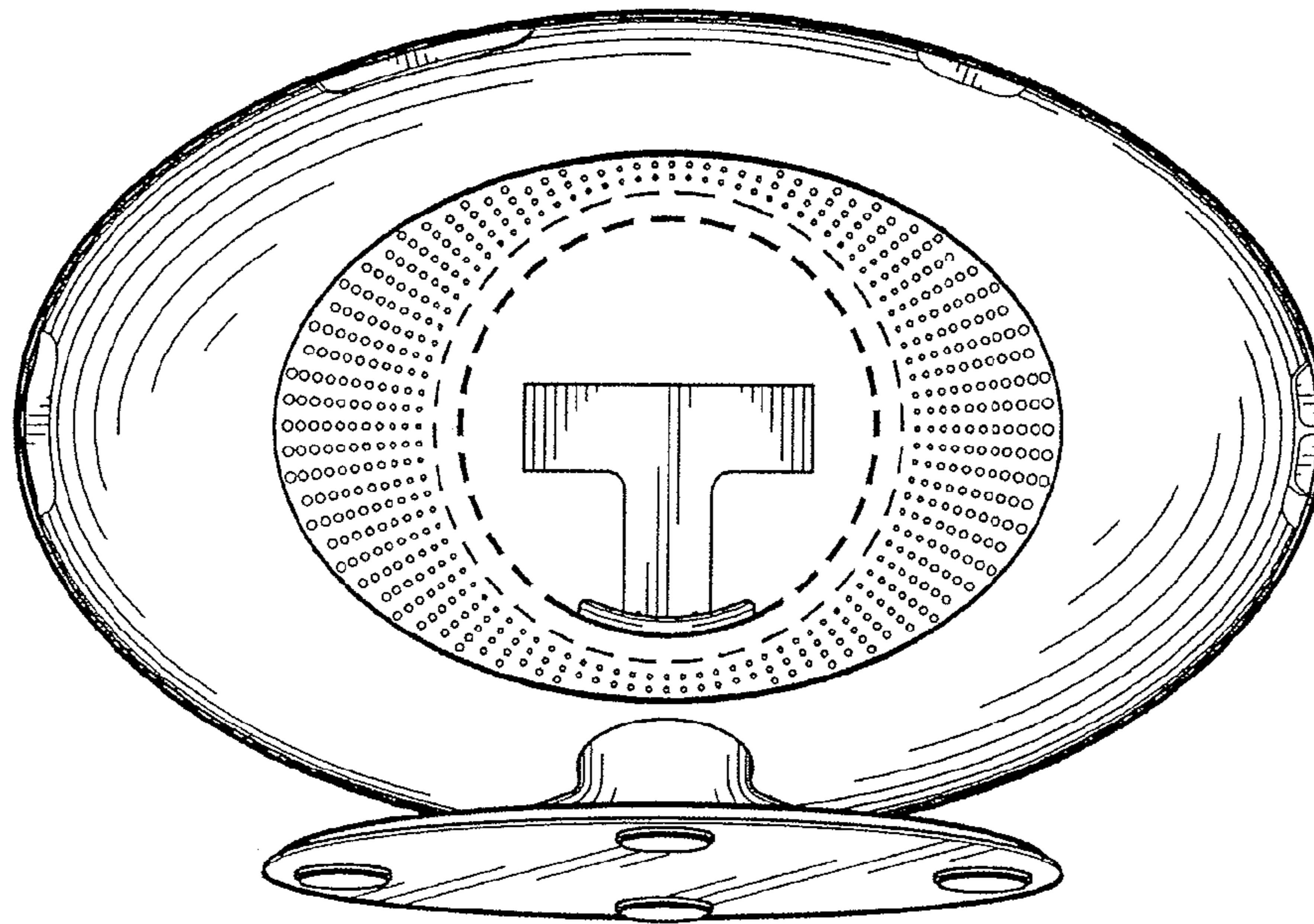


FIG. 2

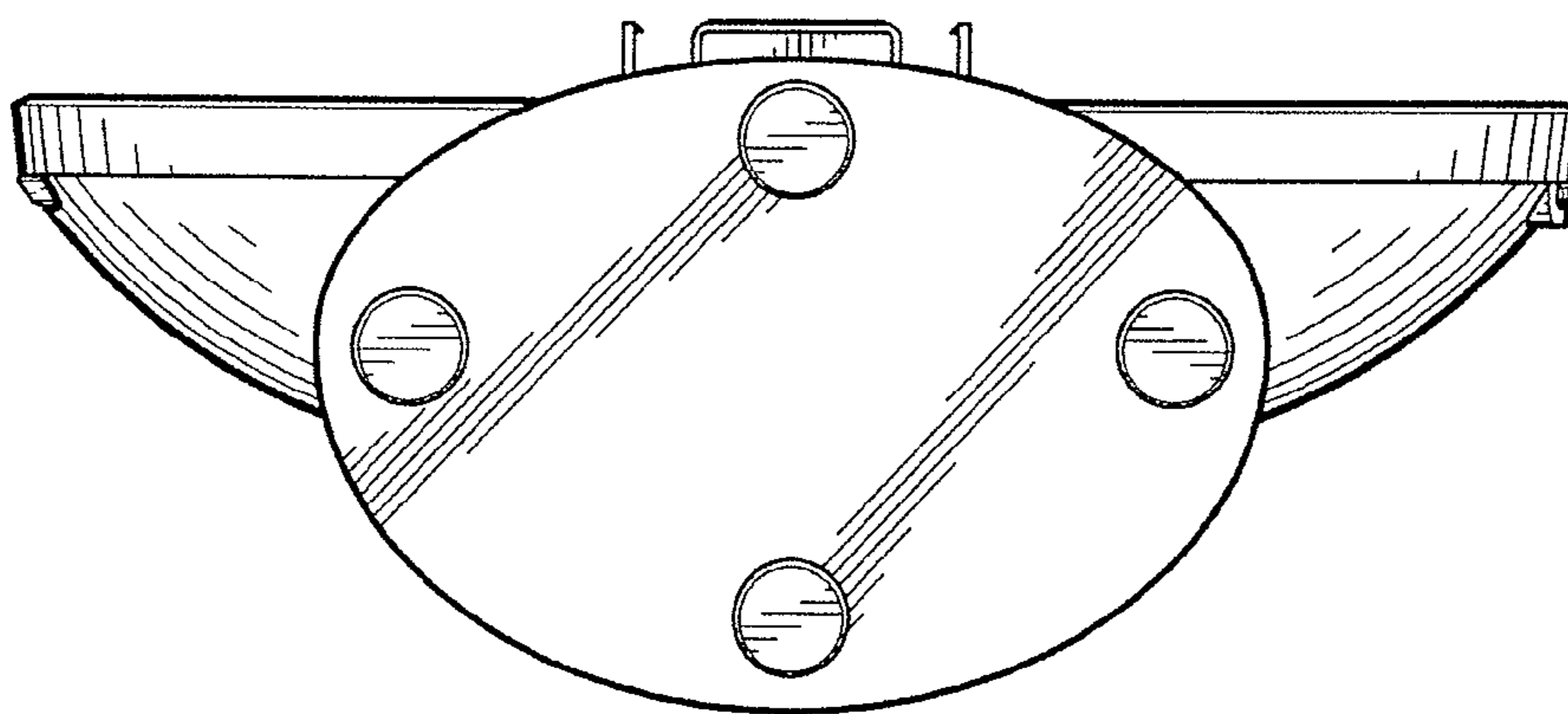


FIG. 6

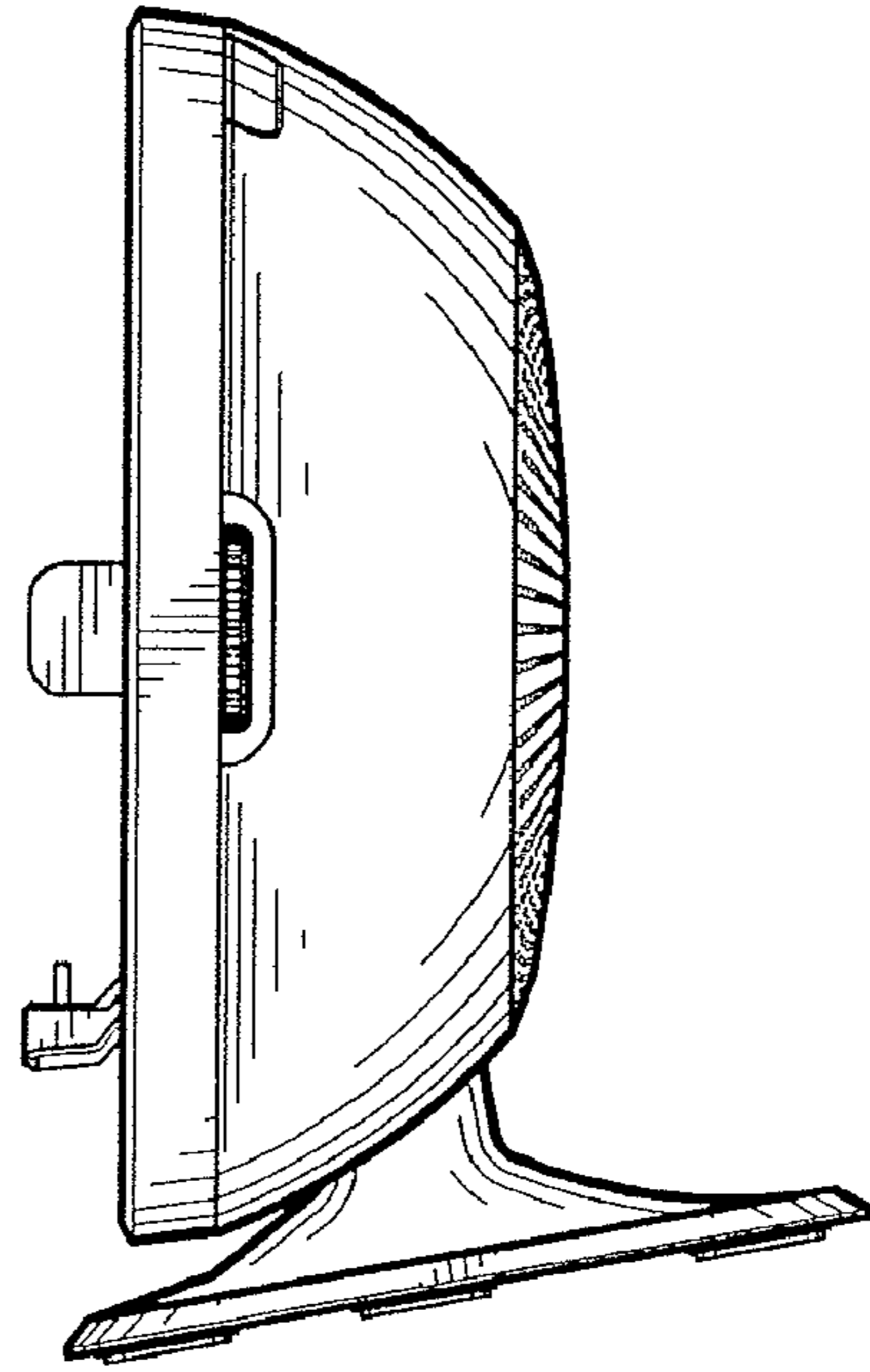


FIG. 4

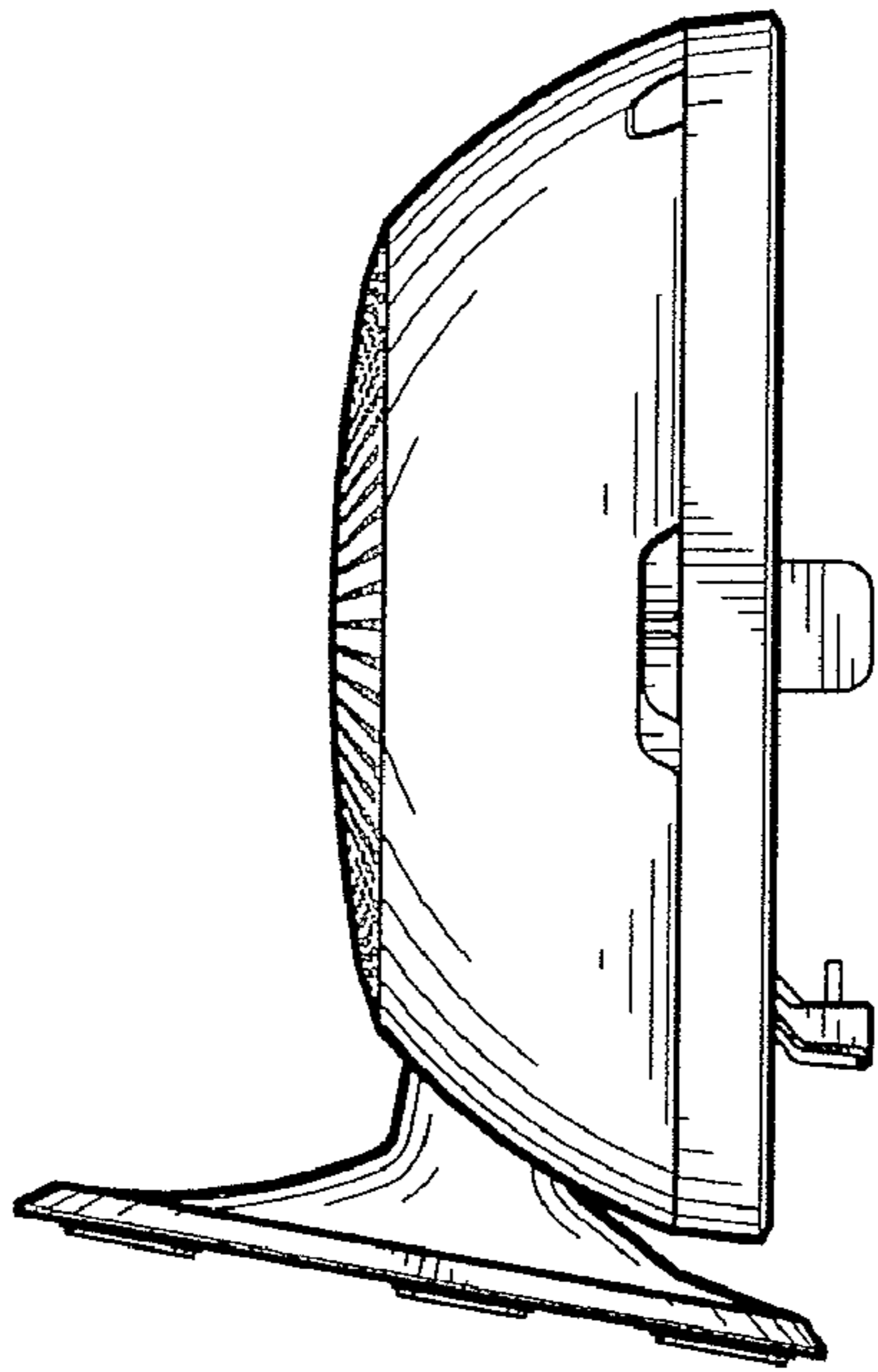


FIG. 3