



US00D639271S

(12) **United States Design Patent**
Xiao

(10) **Patent No.:** **US D639,271 S**
(45) **Date of Patent:** **** Jun. 7, 2011**

(54) **AUDIO SYSTEM**

(75) Inventor: **Kai Xiao**, Shanghai (CN)

(73) Assignee: **Sony Corporation**, Tokyo (JP)

(**) Term: **14 Years**

(21) Appl. No.: **29/347,869**

(22) Filed: **Jun. 30, 2010**

(30) **Foreign Application Priority Data**

Dec. 30, 2009 (CN) 2009 3 0385965

(51) **LOC (9) Cl.** **14-01**

(52) **U.S. Cl.** **D14/209.1**

(58) **Field of Classification Search** D14/496,
D14/498-511, 167-168, 188, 197-198, 204,
D14/207, 209.1, 214-216; 360/99.02, 99.07;
369/75.11, 75.21, 77.11, 77.21; 720/601,
720/612, 619, 649, 655; 455/344, 347-351

See application file for complete search history.

(56) **References Cited**

U.S. PATENT DOCUMENTS

D532,773 S	*	11/2006	Langberg et al.	D14/209.1
D551,208 S		9/2007	Yano		
D558,185 S	*	12/2007	Schul et al.	D14/168
D563,387 S	*	3/2008	Aquillano	D14/214
D570,869 S		6/2008	Yamada		
D577,002 S		9/2008	Kurihara		
D586,327 S		2/2009	Shimizu		
D596,156 S		7/2009	Morisawa		

* cited by examiner

Primary Examiner — Nanda Bondade

(74) *Attorney, Agent, or Firm* — Rader, Fishman & Grauer PLLC

(57) **CLAIM**

The ornamental design for an audio system, as shown.

DESCRIPTION

FIG. 1 is a perspective view of an audio system showing my new design;
FIG. 2 is a front elevational view thereof;
FIG. 3 is a rear elevational view thereof;
FIG. 4 is a left side elevational view thereof;
FIG. 5 is a right side elevational view thereof;
FIG. 6 is a top plan view thereof; and,
FIG. 7 is a bottom plan view thereof.

1 Claim, 6 Drawing Sheets

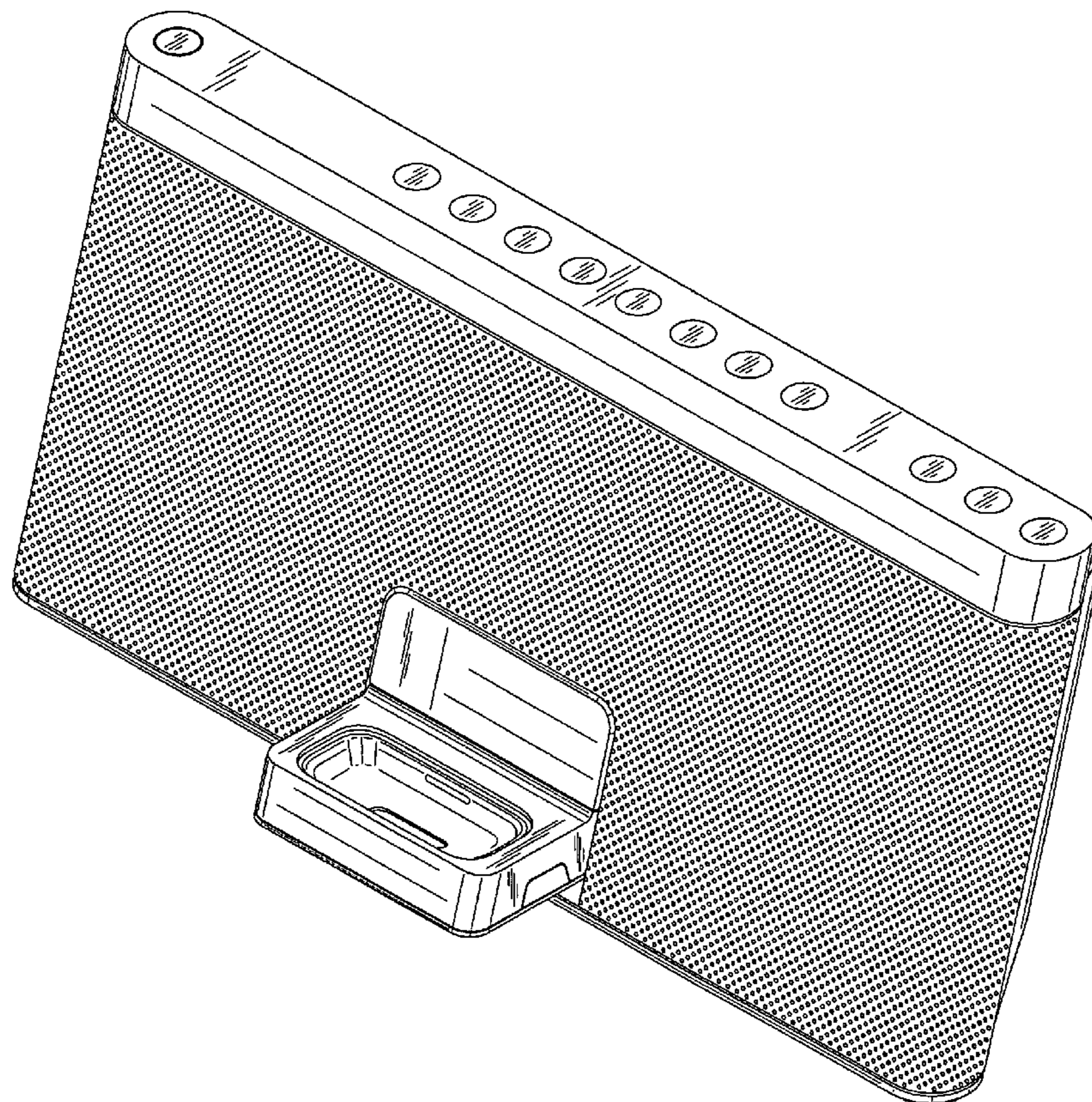


FIG. 1

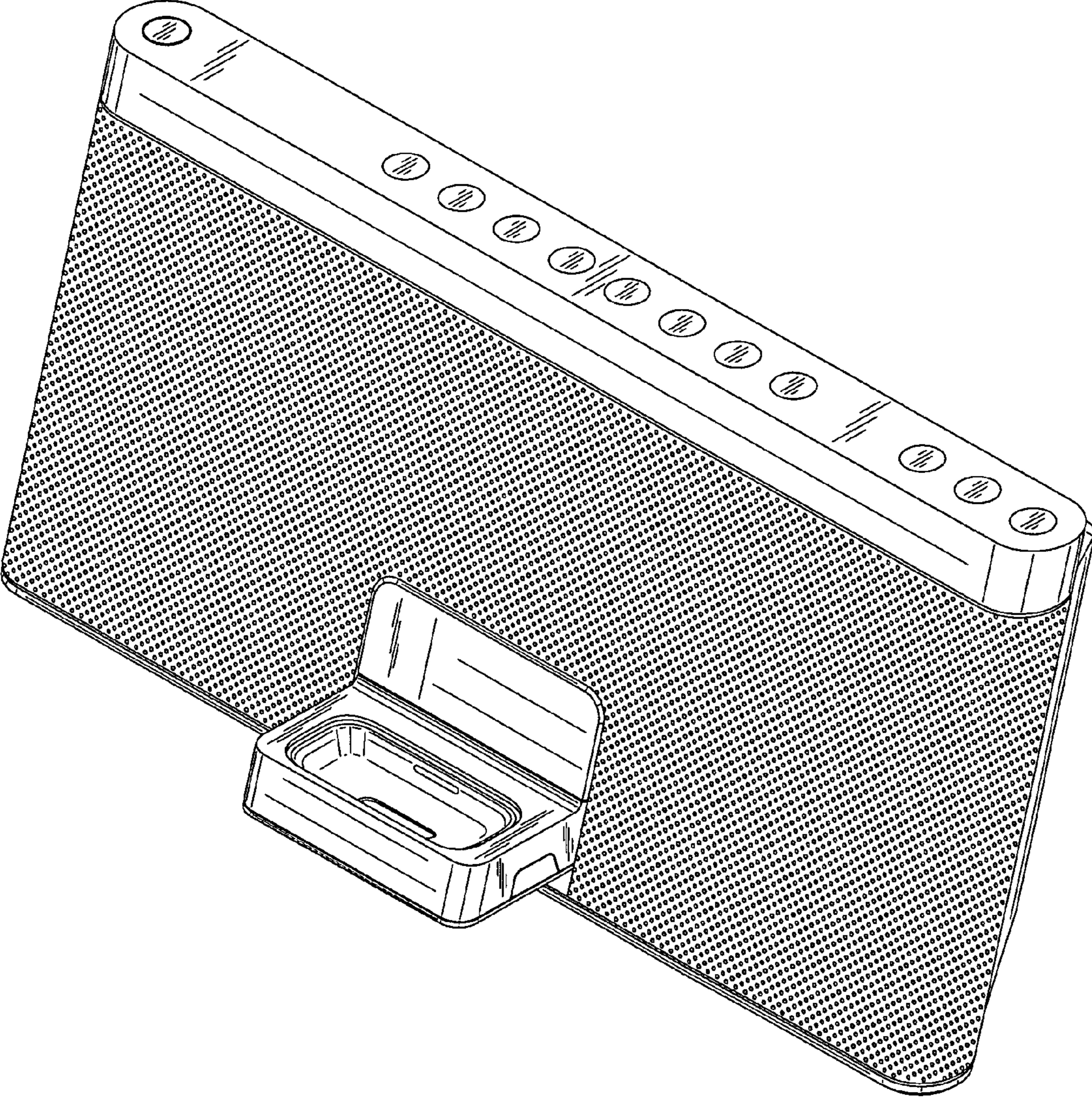


FIG.2

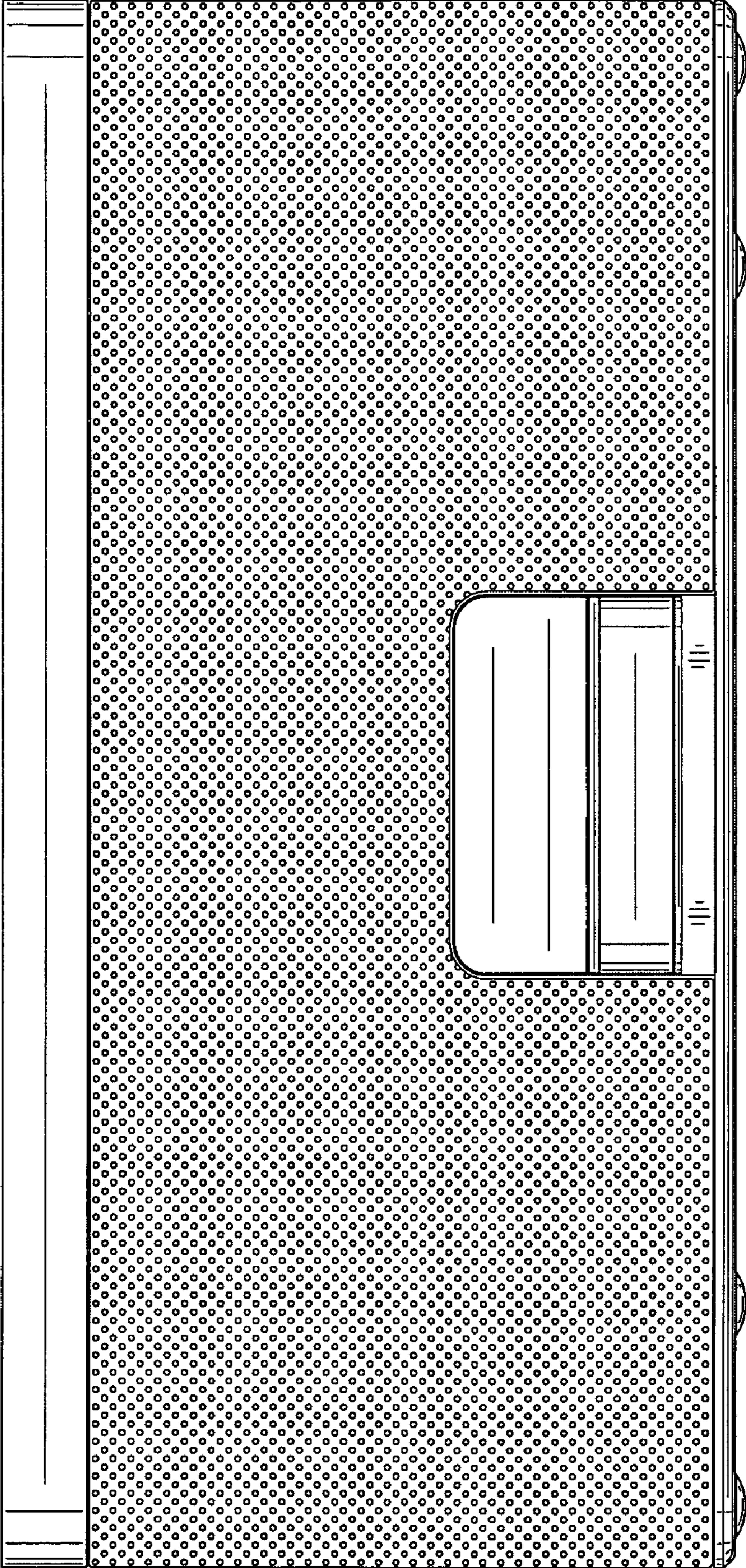


FIG.3

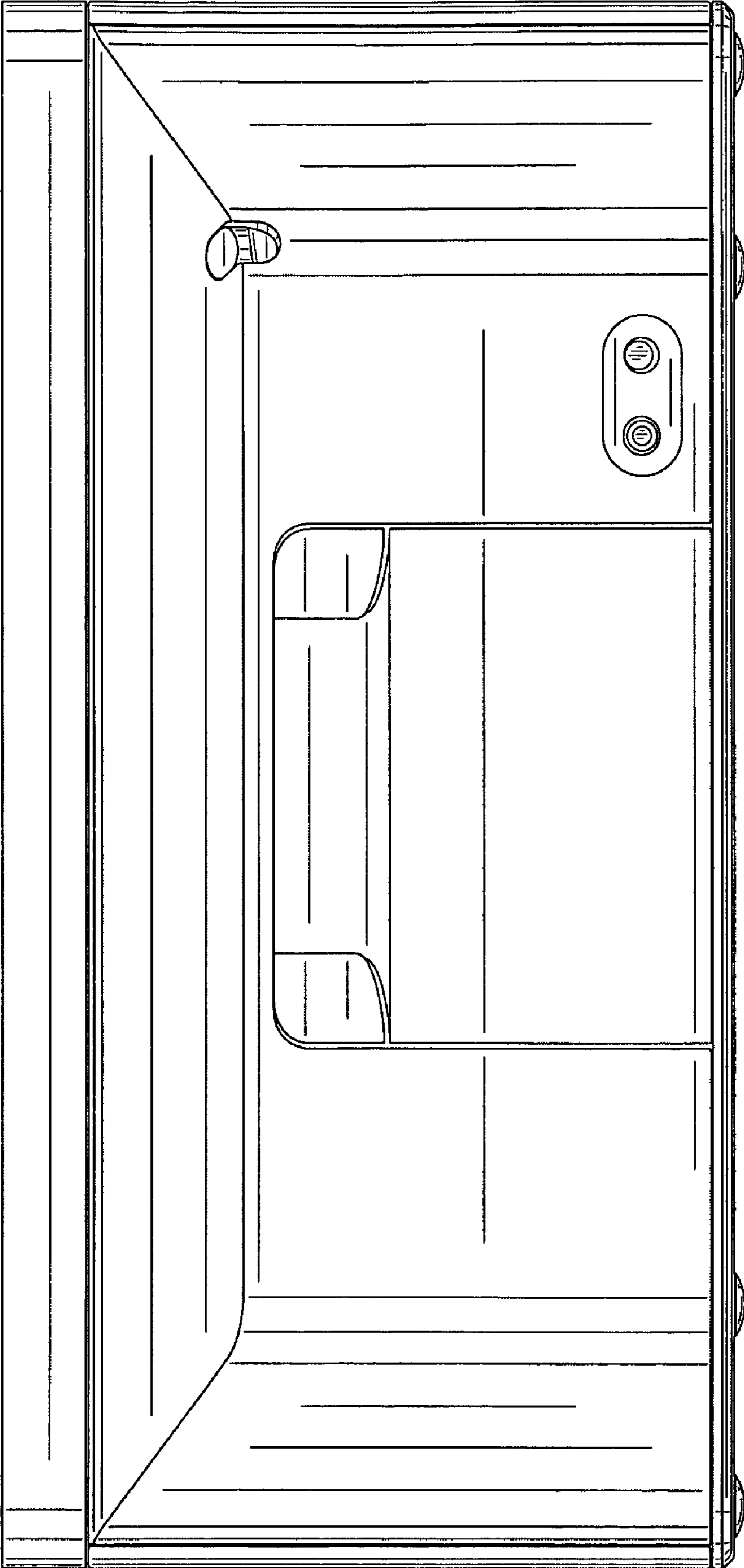


FIG.5

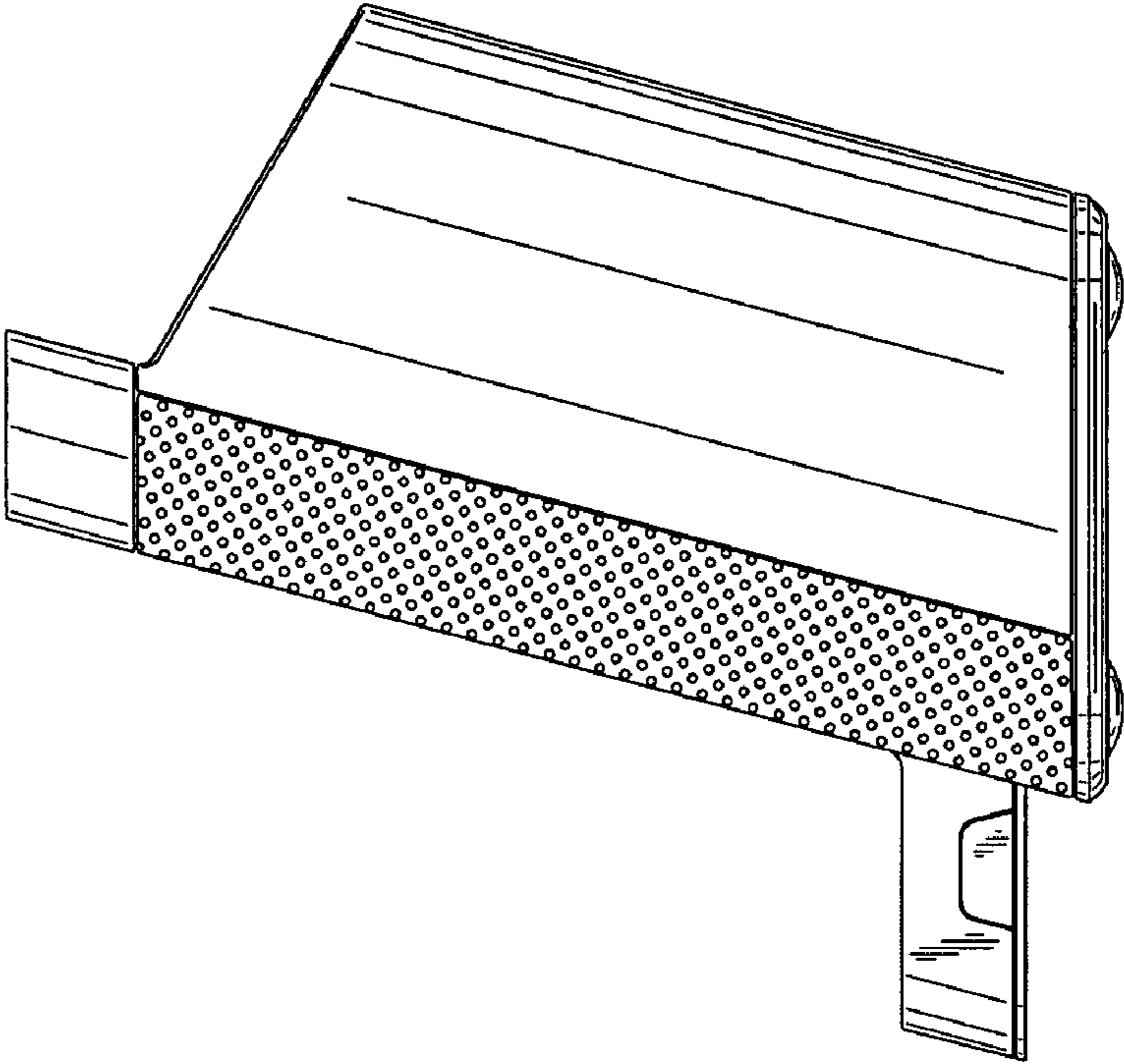


FIG.4

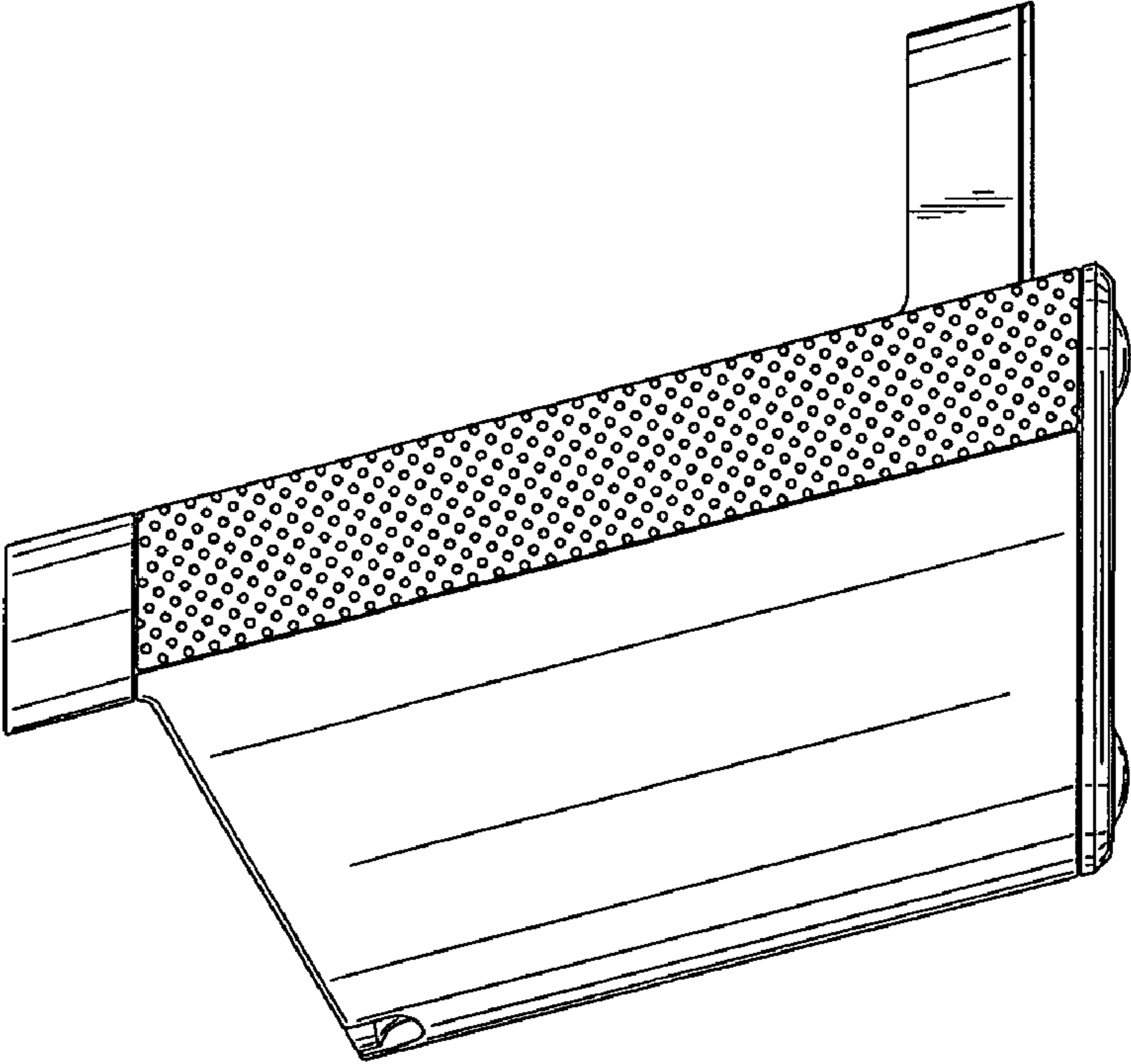


FIG.6

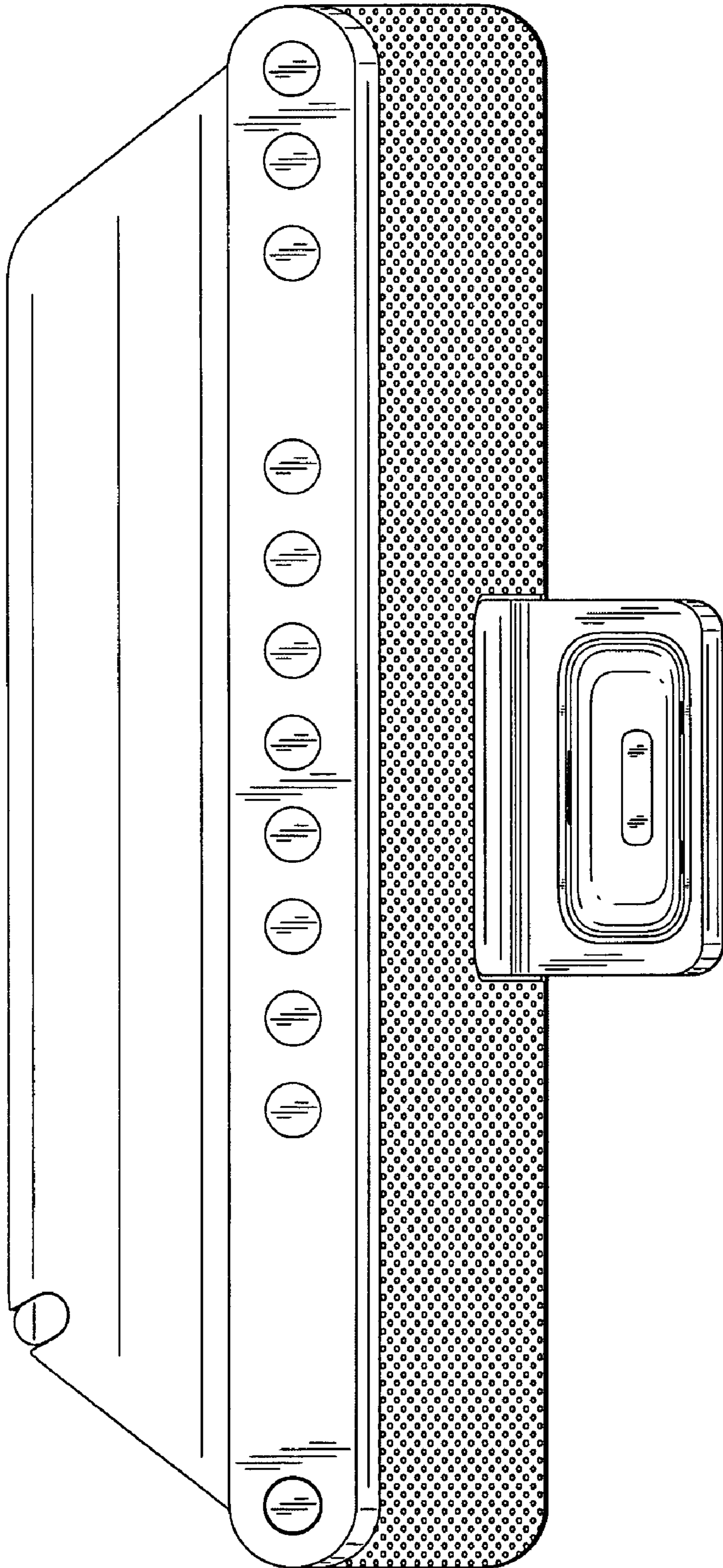


FIG. 7

