



US00D639269S

(12) **United States Design Patent**
Kim et al.

(10) **Patent No.:** **US D639,269 S**
(45) **Date of Patent:** **** Jun. 7, 2011**

(54) **MP3 PLAYER**
(75) Inventors: **Bo-Ra Kim**, Seoul (KR); **Sang-Min Hyun**, Seoul (KR); **Chang-Hwan Hwang**, Kyunggi-do (KR)
(73) Assignee: **Samsung Electronics Co., Ltd.**, Suwon, Kyunggi-Do (KR)
(**) Term: **14 Years**
(21) Appl. No.: **29/372,406**

D532,424 S 11/2006 Kim
D532,425 S 11/2006 Kim
D532,426 S 11/2006 Lee et al.
D532,791 S 11/2006 Kim
D533,184 S 12/2006 Kim
D533,187 S 12/2006 Lee
D533,563 S 12/2006 Kwon et al.
D533,564 S 12/2006 Kim
D533,565 S 12/2006 Kim
D533,876 S 12/2006 Kim
D535,305 S 1/2007 Lee
D536,703 S 2/2007 Kim
D539,816 S 4/2007 Aoki et al.
D541,296 S 4/2007 Kim
7,203,529 B2* 4/2007 Kim et al. 455/575.1

(22) Filed: **Nov. 16, 2010**
(51) **LOC (9) Cl.** **14-03**
(52) **U.S. Cl.** **D14/203.7; D14/203.3; D14/496**
(58) **Field of Classification Search** D14/496, D14/401, 435, 474, 483, 217, 137, 138, 160, D14/168, 356, 203.1-203.8, 507; 345/156, 345/169, 173-179, 905; 715/727-729, 864; 710/1, 5, 8; 713/1, 600; 455/1.1, 1.7, 73, 455/344-347, 93, 95, 3.01-3.06, 550.1, 573.1; 370/342-344; 369/1, 2, 6-12; 463/43-47; 273/148 B

See application file for complete search history.

(56) **References Cited**

U.S. PATENT DOCUMENTS

5,825,408 A * 10/1998 Yuyama et al. 348/14.01
5,859,594 A * 1/1999 King et al. 340/7.55
6,966,651 B2* 11/2005 Johnson 353/15
D521,023 S 5/2006 Kim et al.
7,065,370 B2* 6/2006 Ogaki et al. 455/457
D525,986 S 8/2006 Kim
D525,987 S 8/2006 Kim
D525,988 S 8/2006 Kim
D525,989 S 8/2006 Choe
D526,663 S 8/2006 Bang
D527,016 S 8/2006 Millora
D527,017 S 8/2006 Kim
D528,126 S 9/2006 Kim
D531,159 S 10/2006 Park

(Continued)

OTHER PUBLICATIONS

U.S. Appl. No. 29/372,405, Applicant: Bo-Ra Kim et al., filed Nov. 16, 2010 entitled MP3 Player.

(Continued)

Primary Examiner — Prabhakar Deshmukh
(74) *Attorney, Agent, or Firm* — Flynn, Thiel, Boutell & Tanis, P.C.

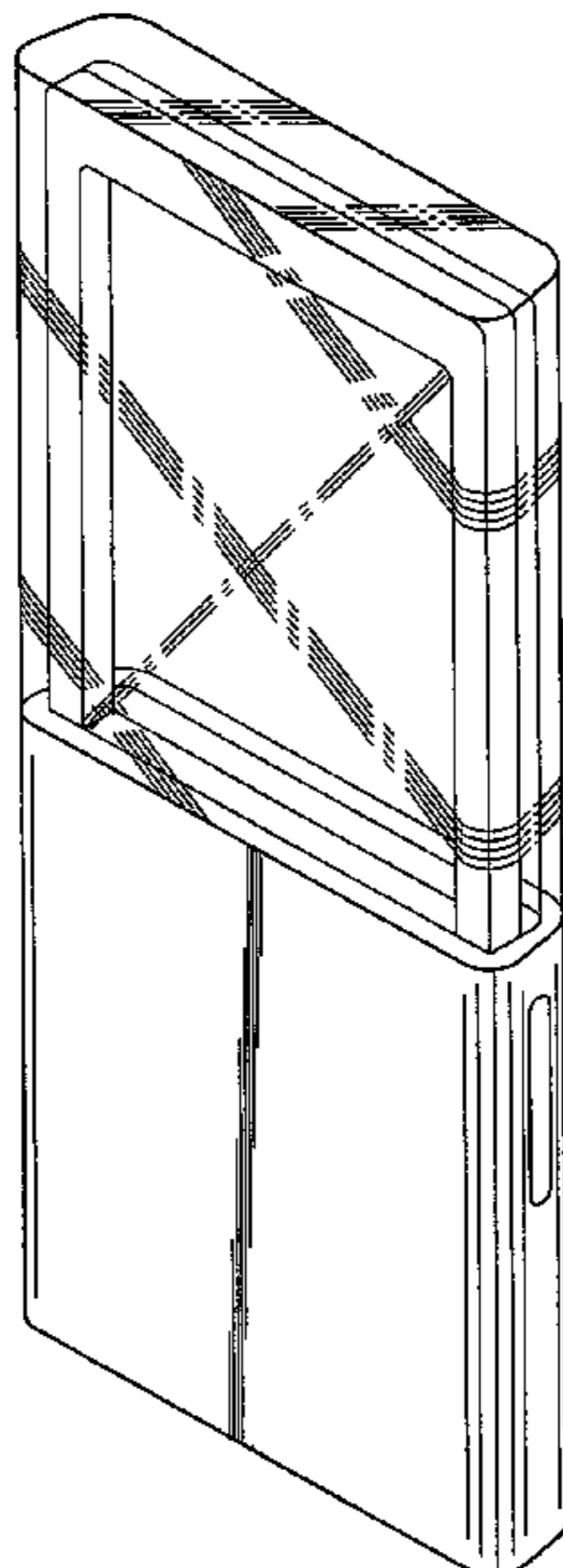
(57) **CLAIM**

The ornamental design for a MP3 player, as shown and described.

DESCRIPTION

FIG. 1 is a top front perspective view of a MP3 player showing our new design;
FIG. 2 is a front elevational view thereof;
FIG. 3 is a rear elevational view thereof;
FIG. 4 is a left side elevational view thereof;
FIG. 5 is a right side elevational view thereof;
FIG. 6 is a top plan view thereof; and,
FIG. 7 is a bottom plan view thereof.

1 Claim, 3 Drawing Sheets



US D639,269 S

Page 2

U.S. PATENT DOCUMENTS

D542,304 S 5/2007 Kim et al.
D546,345 S 7/2007 Kim et al.
D546,347 S 7/2007 Millora
D546,837 S 7/2007 Yeo
D547,329 S 7/2007 Aoki
D547,330 S 7/2007 Lee
D547,331 S 7/2007 Jung et al.
D547,773 S 7/2007 Aoki
D548,246 S 8/2007 Aoki
7,258,449 B2* 8/2007 Chong et al. 353/85
D550,702 S 9/2007 Lee
D550,704 S 9/2007 Ichinose
D550,705 S 9/2007 Ichimura
D550,706 S 9/2007 Ichinose
D550,707 S 9/2007 Ichimura
D550,708 S 9/2007 Kim
D550,709 S 9/2007 Ichimura
D550,710 S 9/2007 Ichinose
D550,711 S 9/2007 Lee
D550,712 S 9/2007 Lee
D550,713 S 9/2007 Ichinose
D550,714 S 9/2007 Ferraboshi
D554,149 S 10/2007 Kim
D555,665 S 11/2007 Yeo
D556,210 S 11/2007 Choi et al.
D557,279 S 12/2007 Kim
D559,266 S * 1/2008 Oh D14/496

D560,229 S * 1/2008 Yagi D14/496
D560,687 S 1/2008 Kim
D561,781 S 2/2008 Park
D561,783 S * 2/2008 Schmelling D14/496
D565,597 S 4/2008 Kim
D565,598 S 4/2008 Park
D565,599 S 4/2008 Jang et al.
D572,270 S 7/2008 Kim
D593,132 S 5/2009 Kim
D593,993 S 6/2009 Kim et al.
D595,734 S 7/2009 Son
D597,068 S 7/2009 Whang
D598,426 S 8/2009 Kim et al.
D600,672 S 9/2009 Kim et al.
D602,000 S 10/2009 Oh et al.
D605,165 S * 12/2009 Sheba et al. D14/203.7
D609,213 S 2/2010 Yeo
D610,568 S * 2/2010 Yu D14/203.7
D612,362 S 3/2010 Yeo et al.
D615,556 S 5/2010 Yeo et al.
D626,936 S 11/2010 Yeo et al.
D626,937 S 11/2010 Yeo et al.

OTHER PUBLICATIONS

U.S. Appl. No. 29/372,407, Applicant: Ji-Eun Kang, filed Nov. 16, 2010.

* cited by examiner

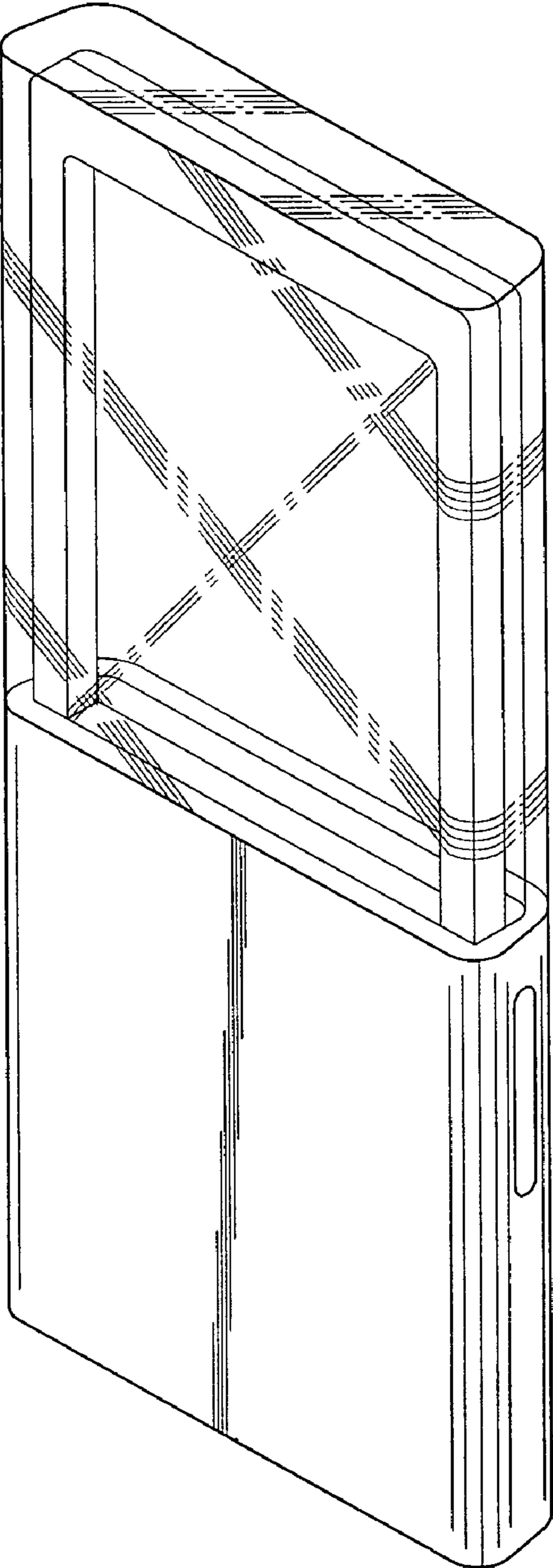


FIG.1

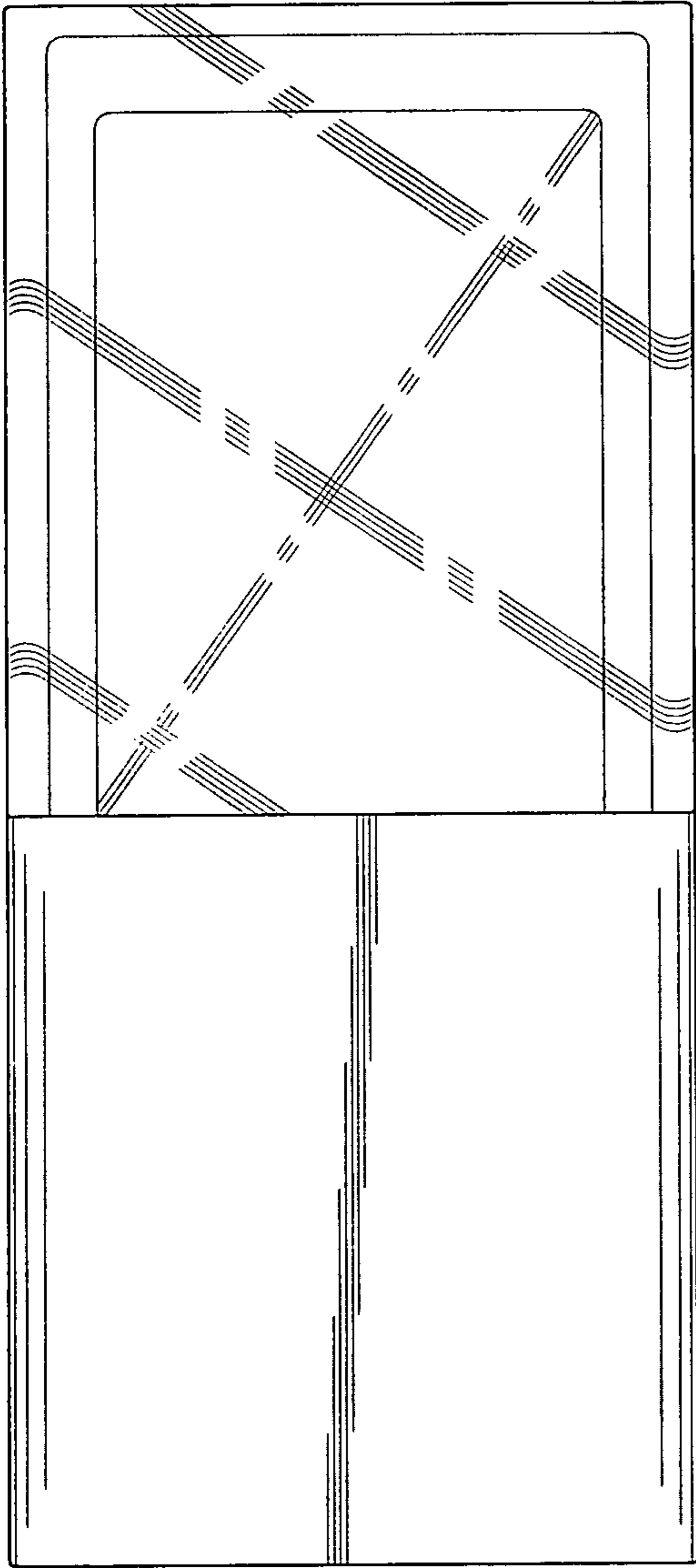


FIG. 2

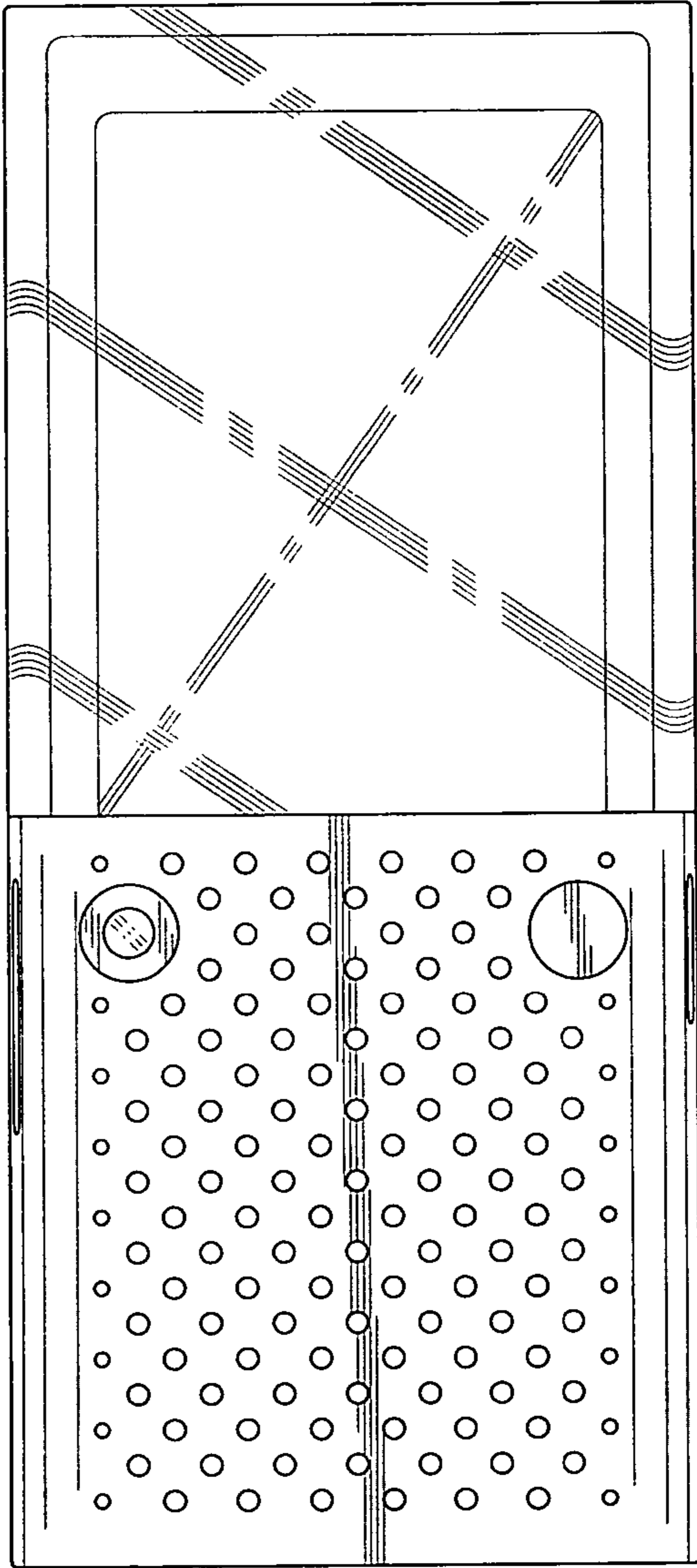


FIG. 3

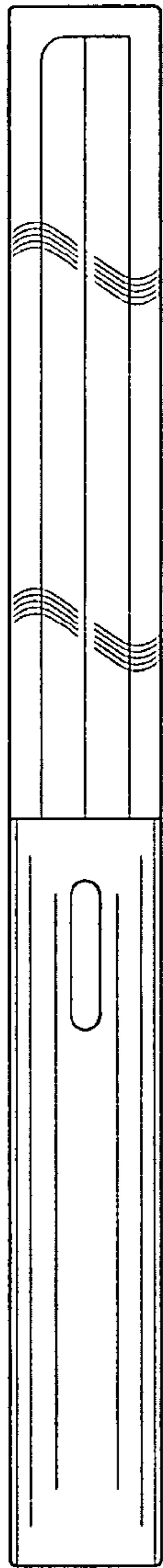


FIG.4

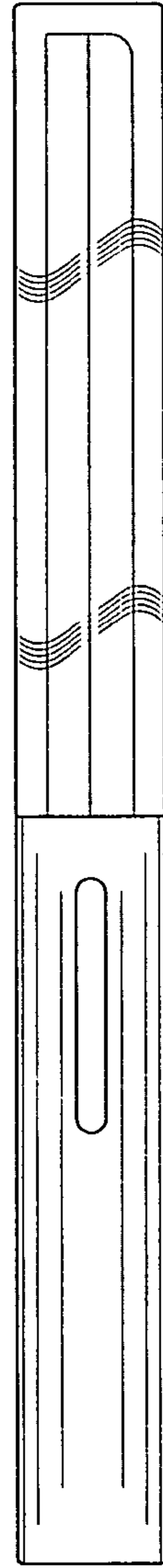


FIG.5

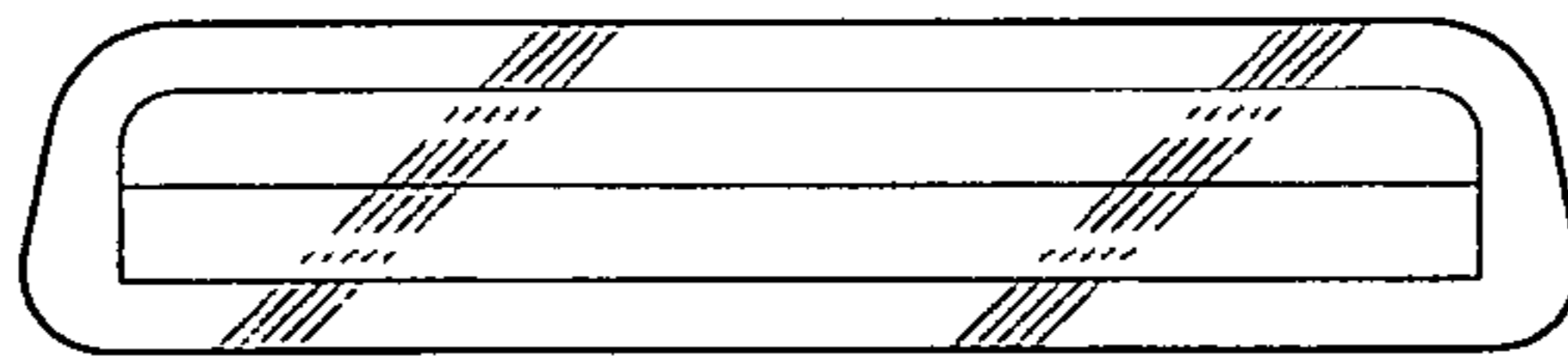


FIG.6

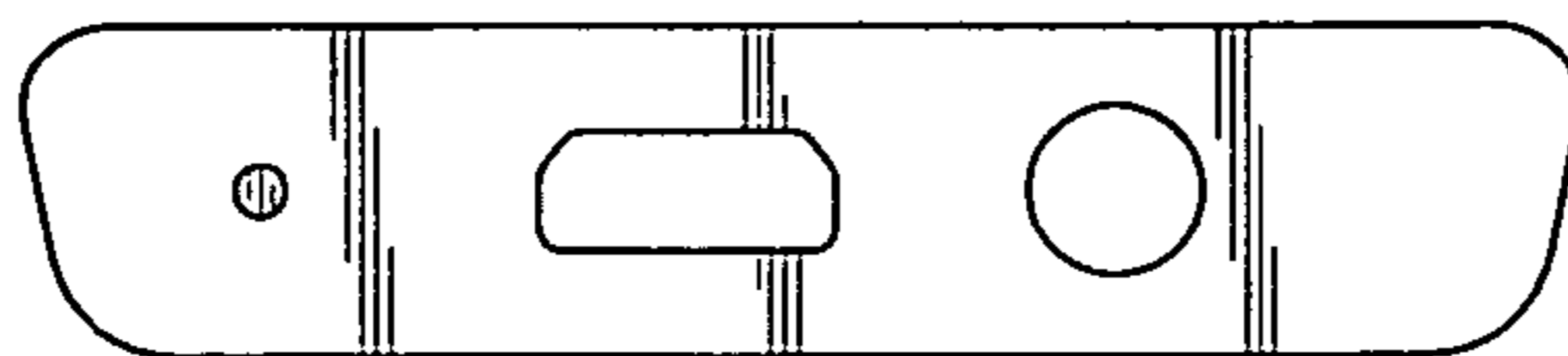


FIG.7