



US00D639268S

(12) **United States Design Patent**
DeLorenzo et al.

(10) **Patent No.:** **US D639,268 S**
(45) **Date of Patent:** **** Jun. 7, 2011**

(54) **PHONE**

(75) Inventors: **David DeLorenzo**, Jackson, NJ (US);
Claus Christian Eckhardt, Hannover (DE);
Bernd Ogorczyk, Karben (DE);
Christian Von Reventlow, Gladstone, NJ (US)

(73) Assignee: **Avaya Inc.**, Basking Ridge, NJ (US)

(**) Term: **14 Years**

(21) Appl. No.: **29/368,094**

(22) Filed: **Aug. 18, 2010**

(51) **LOC (9) Cl.** **14-03**

(52) **U.S. Cl.** **D14/142; D14/130**

(58) **Field of Classification Search** D14/125-130,
D14/140, 142, 144, 138 G, 159, 171, 240,
D14/329, 334-336, 339-341, 343, 345, 371,
D14/374, 375; 379/88.17, 90.01, 93.17,
379/387.01, 388.02, 419-420.04, 428.01-428.04,
379/434-436, 440, 446-447, 454-455; D6/300,
D6/308; D13/107-108; 312/223.2; 455/411,
455/550.1-90.3; 348/14.01-14.04

See application file for complete search history.

(56) **References Cited**

U.S. PATENT DOCUMENTS

D304,726 S *	11/1989	Brooks et al.	D14/149
D306,583 S *	3/1990	Krolopp et al.	D14/137
D323,657 S *	2/1992	Danielson et al.	D14/151
D350,743 S *	9/1994	Hicks et al.	D14/130
D437,840 S	2/2001	Korby et al.		
D438,189 S	2/2001	Korby et al.		
6,216,989 B1 *	4/2001	Shioya et al.	248/122.1
D442,951 S *	5/2001	Hill et al.	D14/336
D472,236 S	3/2003	Schramm et al.		
D472,536 S	4/2003	Schramm et al.		
D472,537 S	4/2003	Schramm et al.		
D478,881 S *	8/2003	O'Leary et al.	D14/130
6,657,853 B2 *	12/2003	Oba et al.	312/223.2
D510,577 S *	10/2005	Jobs et al.	D14/371

D528,534 S *	9/2006	Farnsworth et al.	D14/159
D531,979 S	11/2006	Pettit et al.		
D539,280 S *	3/2007	Andresen	D14/335
D549,676 S *	8/2007	Pelletier	D14/130
D558,180 S	12/2007	Daly et al.		
D558,192 S	12/2007	Daly et al.		
D558,727 S	1/2008	Daly et al.		
D558,729 S	1/2008	Daly et al.		
D565,020 S	3/2008	Daly et al.		
D596,596 S *	7/2009	Honda	D14/126
D599,736 S *	9/2009	Ferber et al.	D13/108
D601,814 S *	10/2009	Lissola	D6/308
D608,778 S *	1/2010	Lee et al.	D14/336
D611,845 S *	3/2010	Sadler et al.	D10/53
D615,066 S *	5/2010	Huang et al.	D14/142
D615,515 S *	5/2010	Hwang	D14/130

(Continued)

Primary Examiner — Robert M Spear

Assistant Examiner — Carla Jobe Wright

(74) *Attorney, Agent, or Firm* — Sheridan Ross P.C.

(57) **CLAIM**

The ornamental design for a phone, as shown and described.

DESCRIPTION

FIG. 1 is a perspective view of a phone showing our new design;

FIG. 2 is a front elevation view thereof;

FIG. 3 is a rear elevation view thereof;

FIG. 4 is a left elevation view thereof;

FIG. 5 is a right elevation view thereof;

FIG. 6 is a left elevation view thereof wherein the display and support feature are shown in a second position of use;

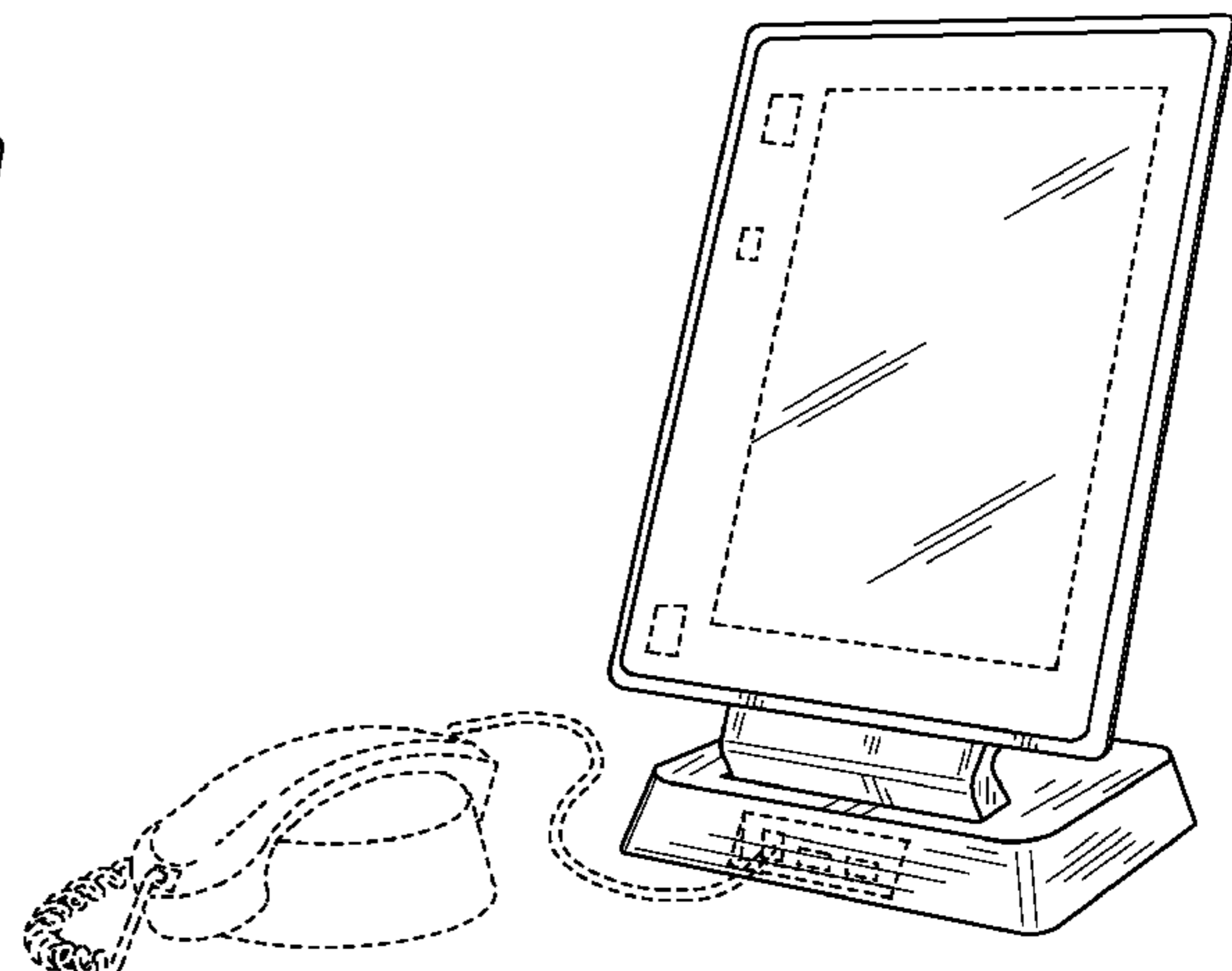
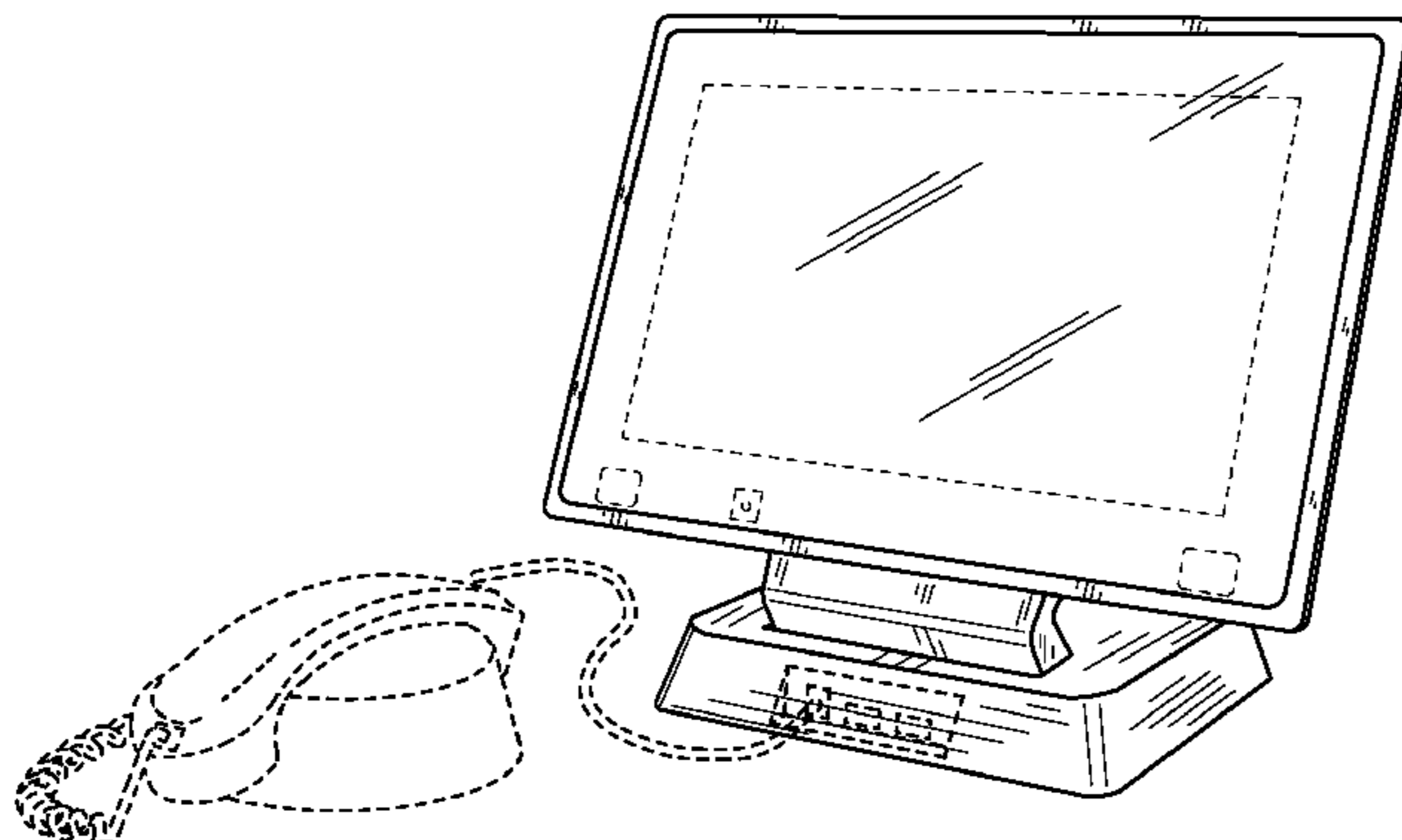
FIG. 7 is a top plan view of the phone wherein the display and support feature are shown in the original position;

FIG. 8 is a bottom plan view thereof; and,

FIG. 9 is a perspective view of the phone wherein the display is shown in a third position of use.

In the drawing, the broken lines depict unclaimed environment.

1 Claim, 5 Drawing Sheets



US D639,268 S

Page 2

U.S. PATENT DOCUMENTS

D626,925 S	*	11/2010	Li	D14/126	
D627,777 S	*	11/2010	Akana et al.	D14/341	* cited by examiner
D629,371 S	*	12/2010	Lim et al.	D14/126	
D631,031 S	*	1/2011	Chen et al.	D14/138 G	

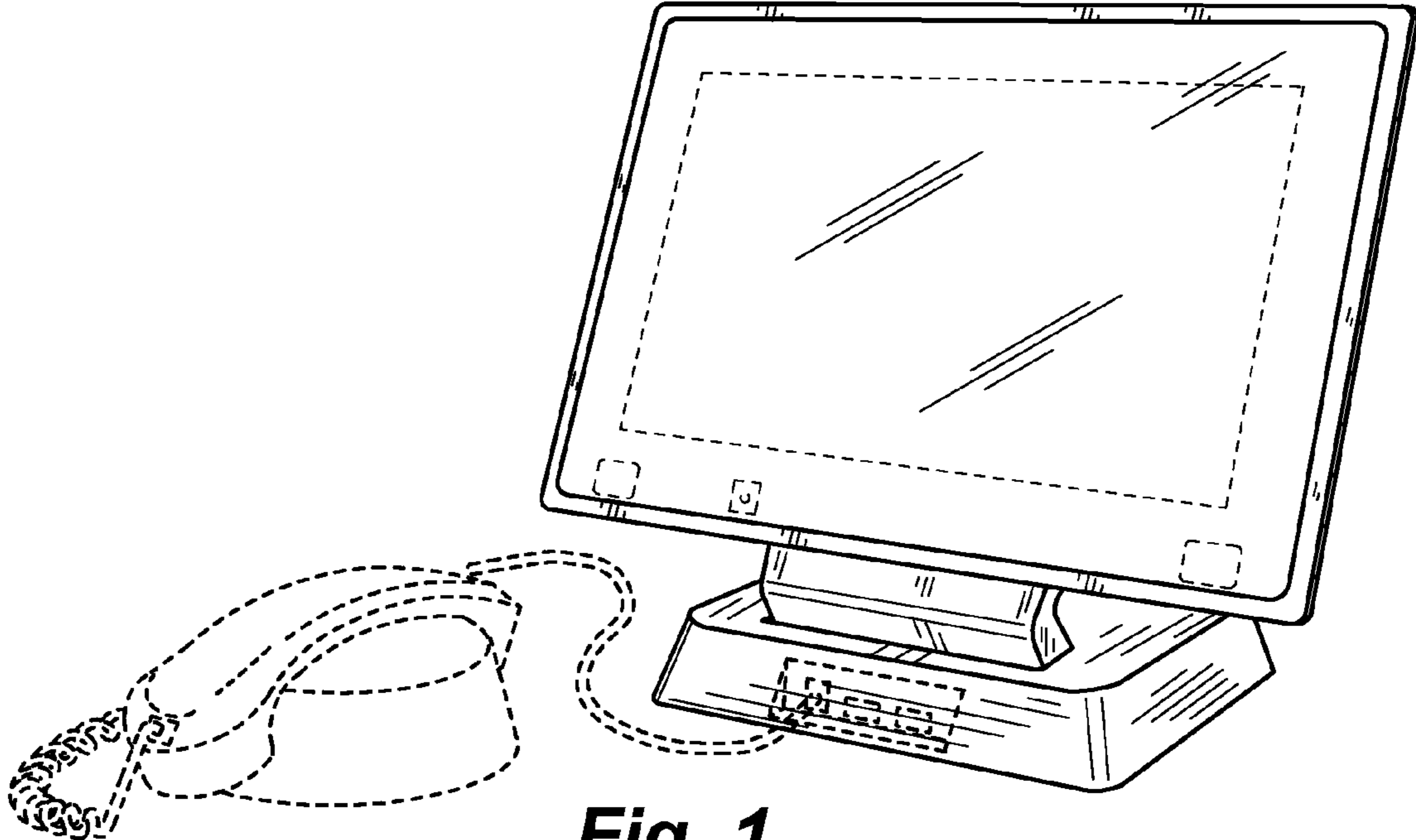


Fig. 1

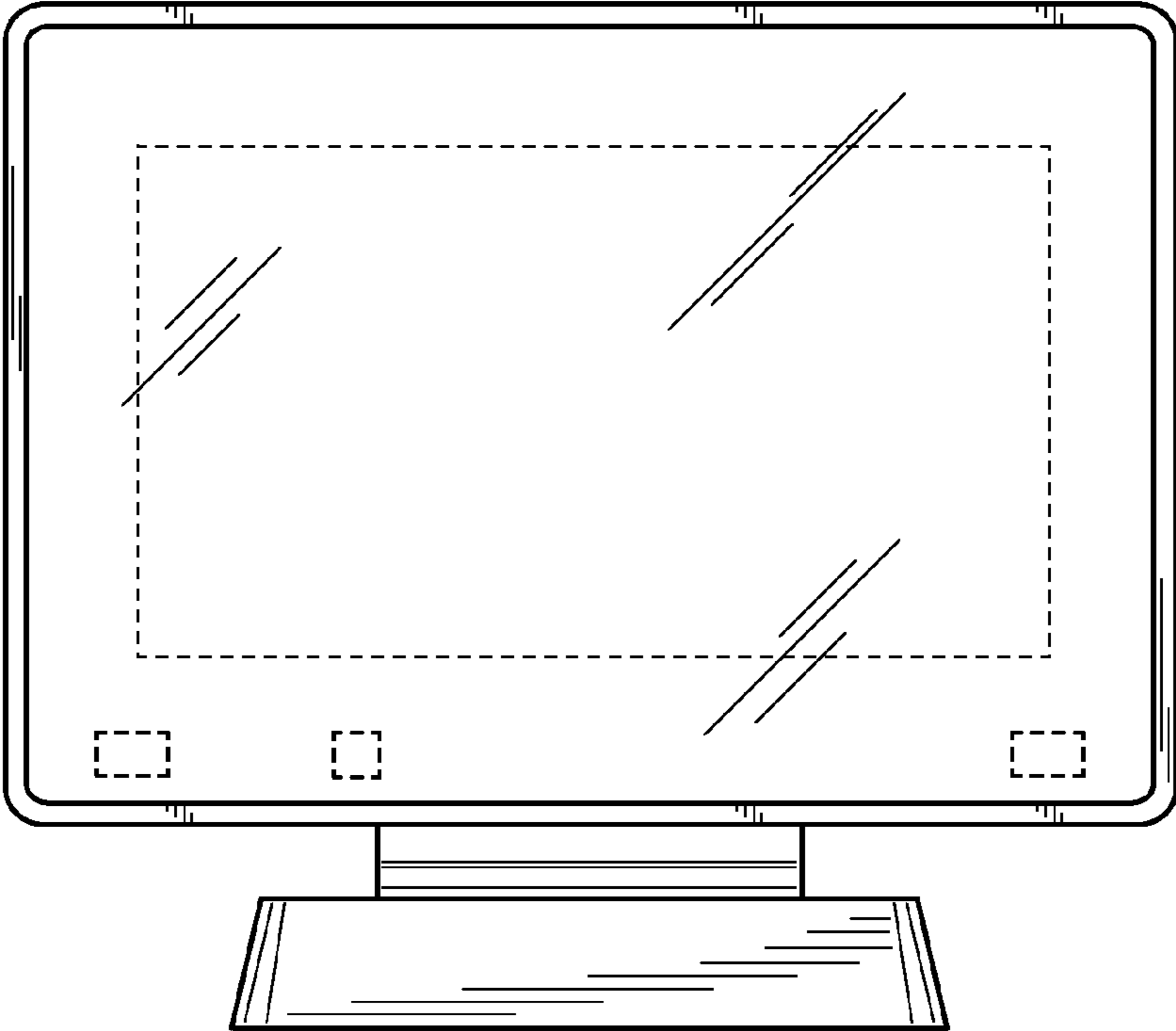


Fig. 2

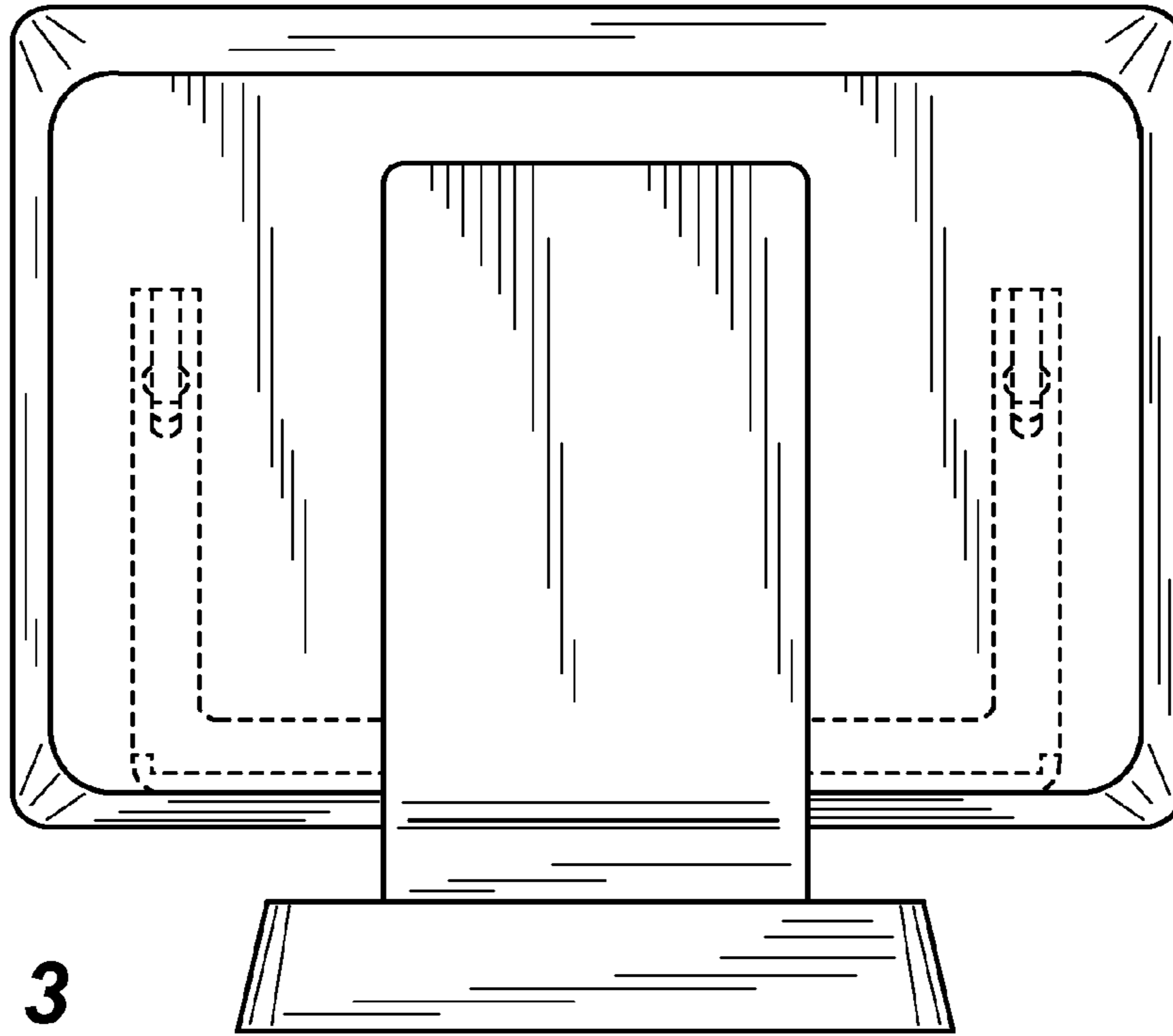


Fig. 3

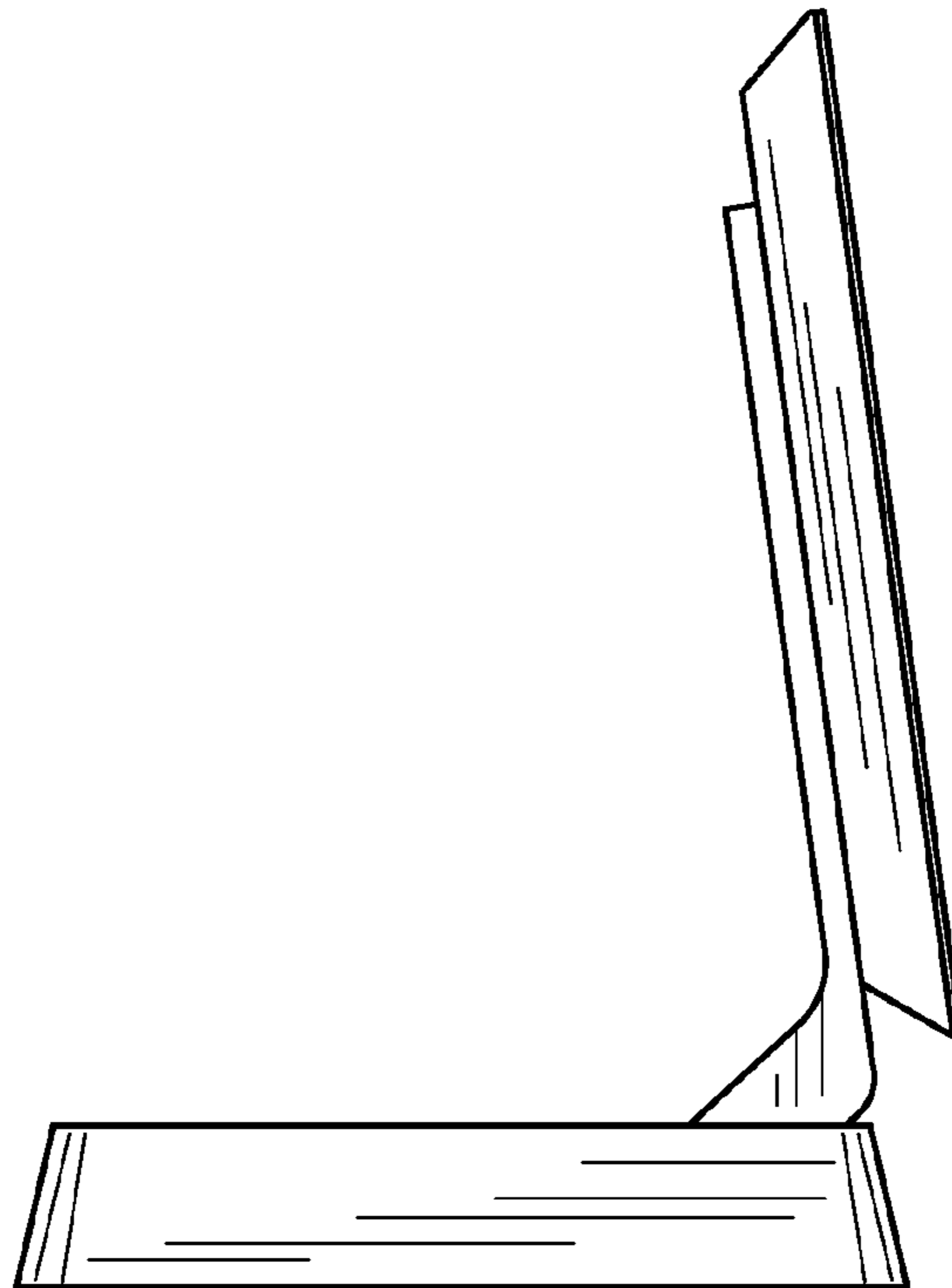
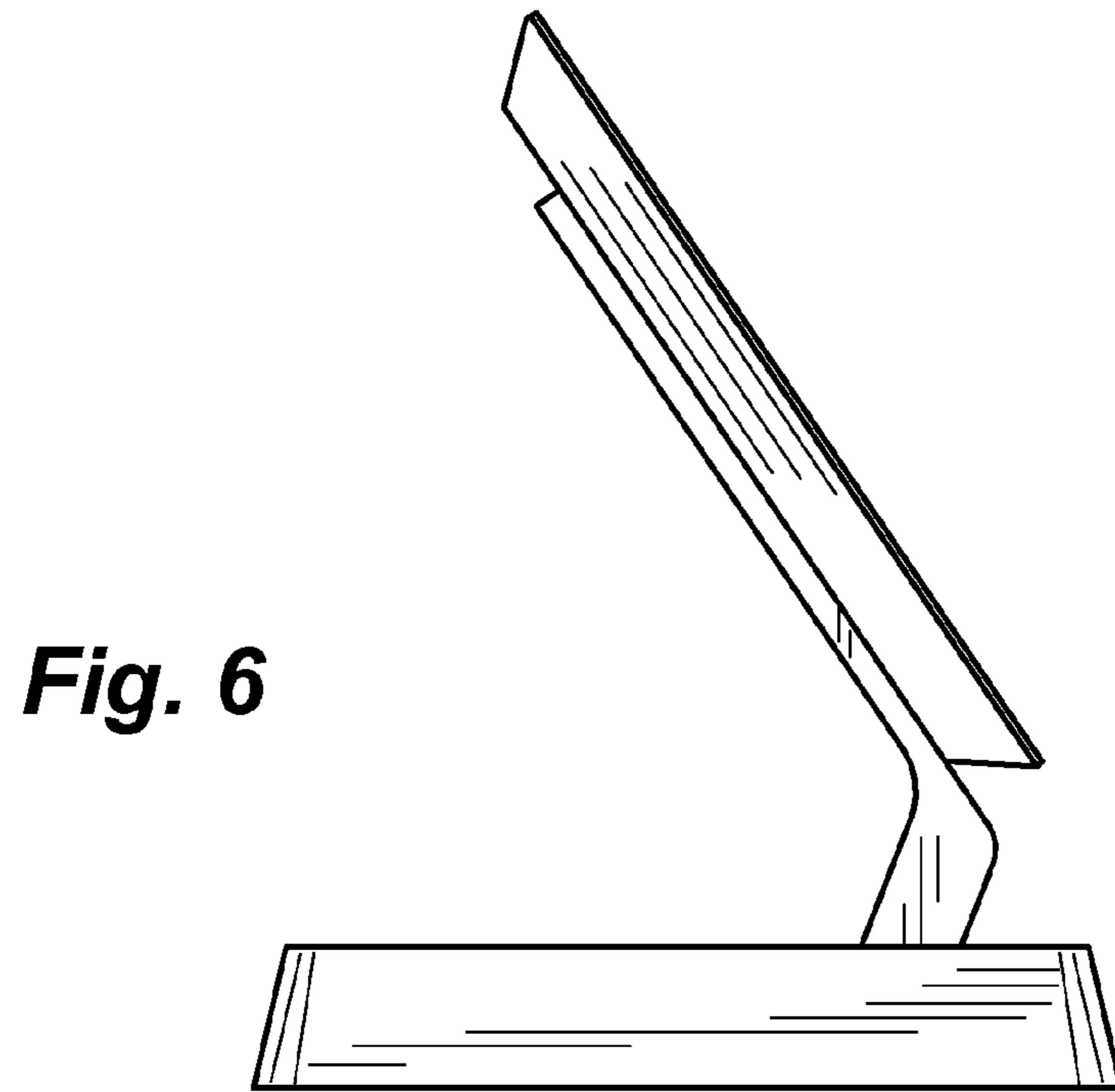
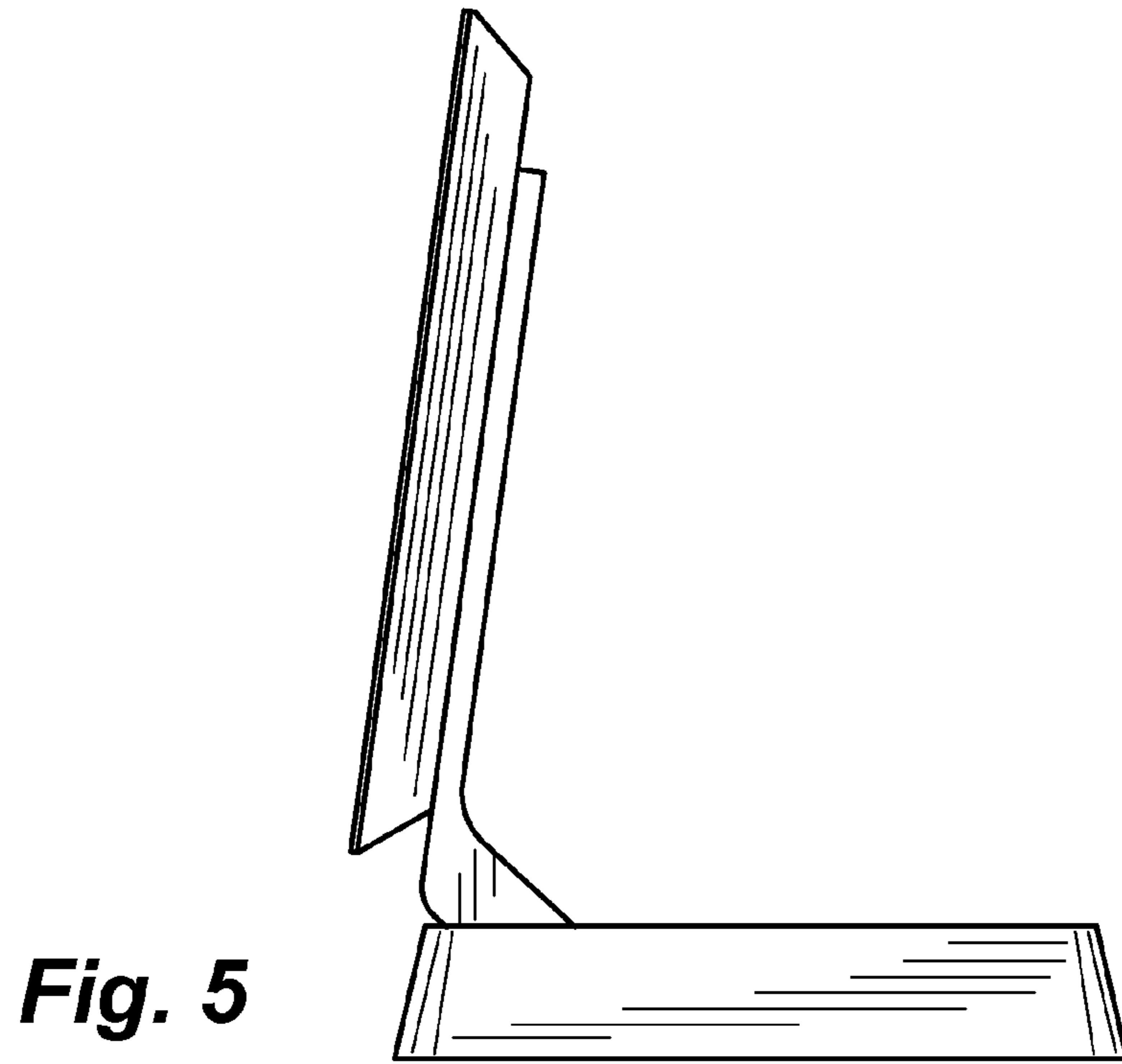


Fig. 4



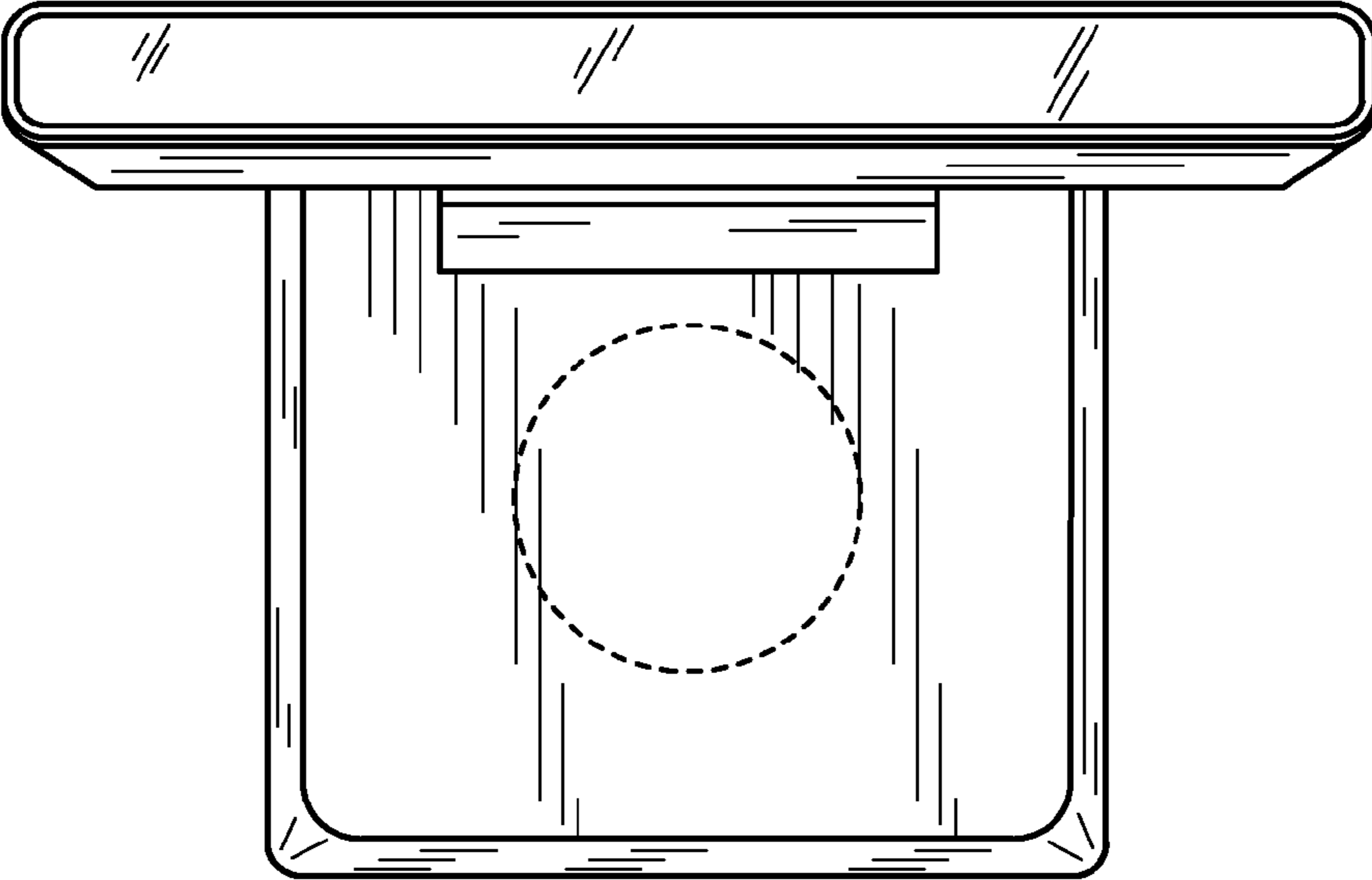


Fig. 7

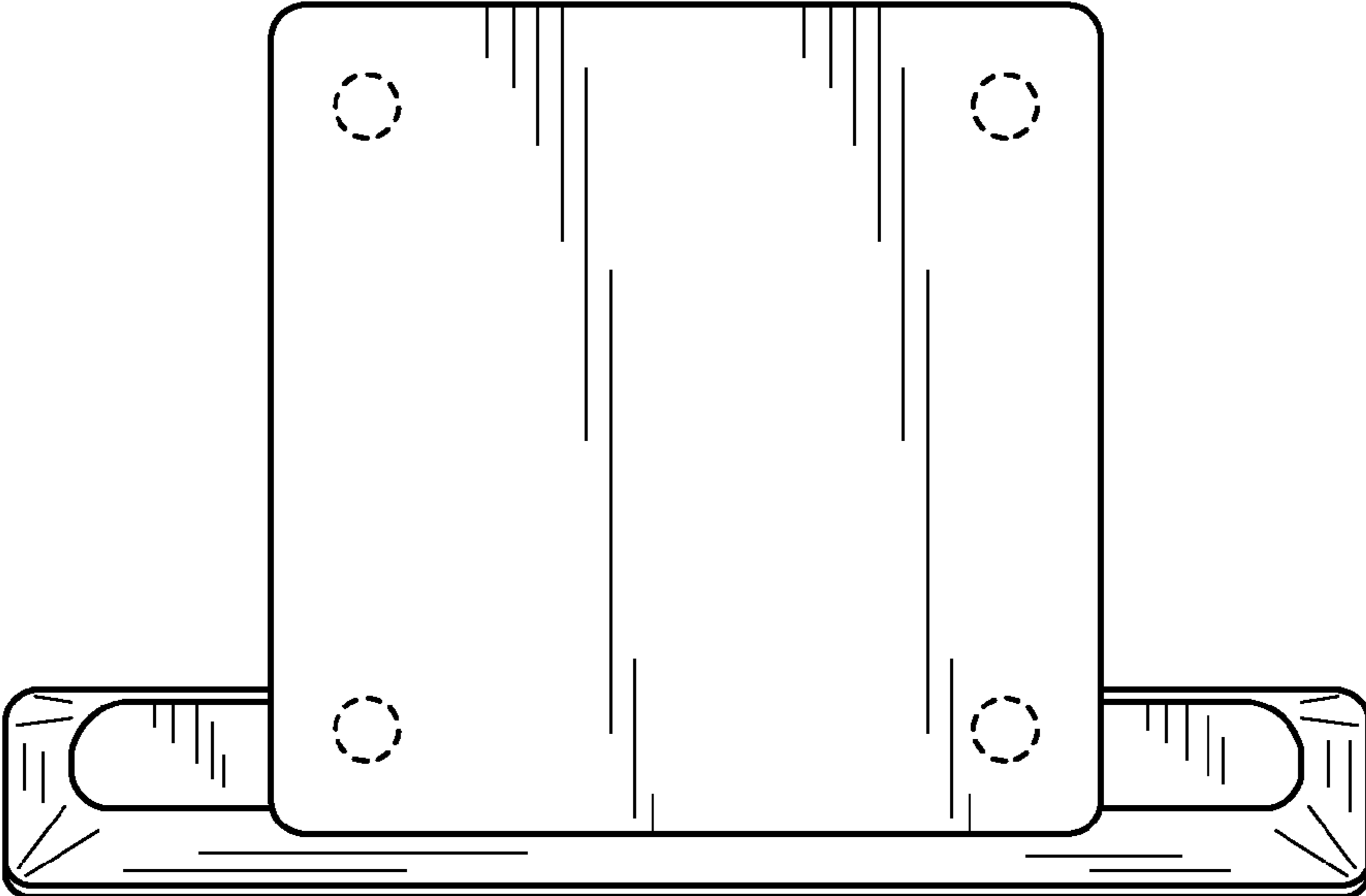


Fig. 8

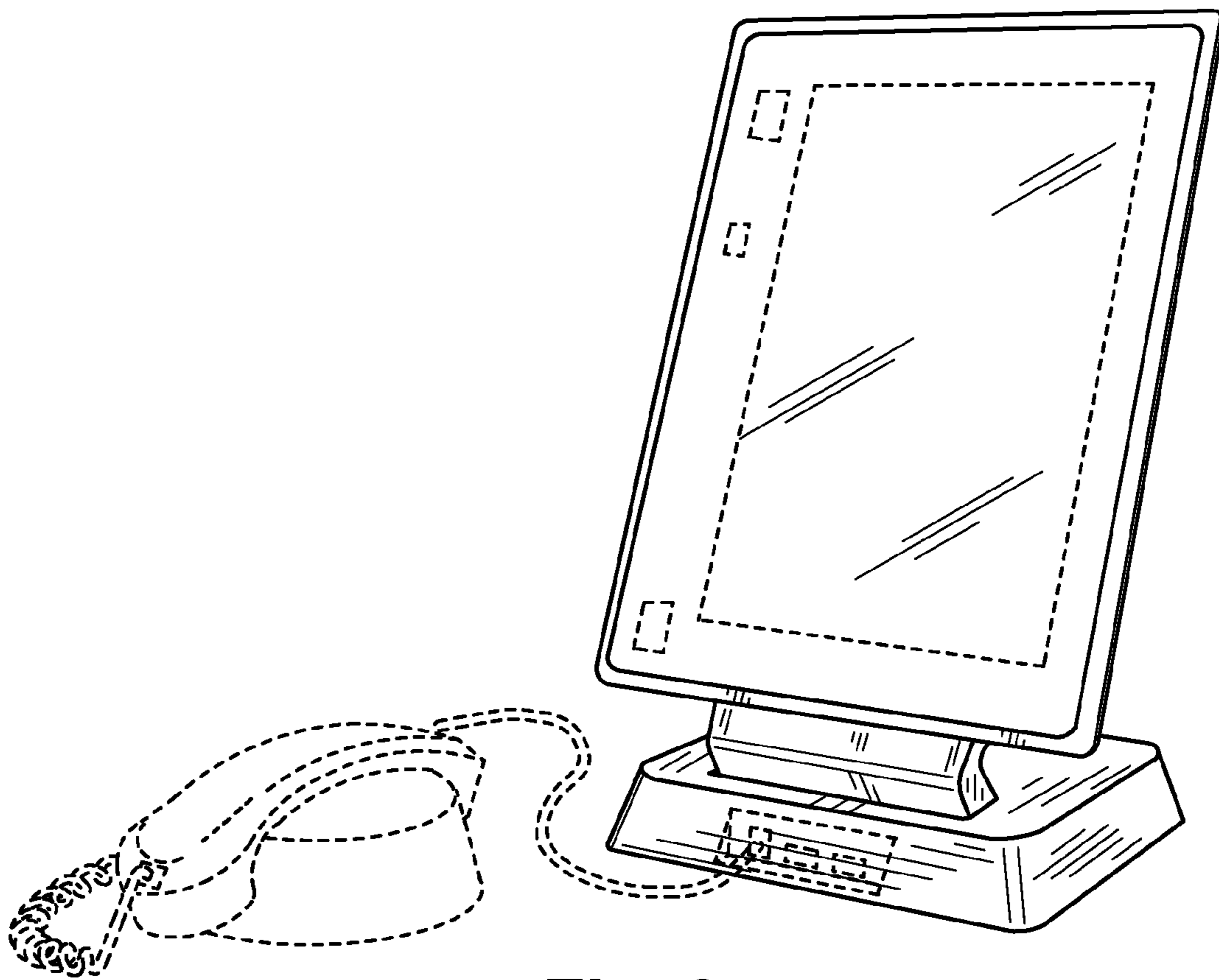


Fig. 9