



US00D639257S

(12) **United States Design Patent**  
**Lee et al.**

(10) **Patent No.:** **US D639,257 S**  
(45) **Date of Patent:** **\*\* Jun. 7, 2011**

(54) **LCD TELEVISION RECEIVER**

(56) **References Cited**

(75) Inventors: **Eun Bong Lee**, Chungcheongnam-do (KR); **Yoo Seok Kim**, Seoul (KR)

(73) Assignee: **LG Electronics Inc.**, Seoul (KR)

(\*\*) Term: **14 Years**

(21) Appl. No.: **29/365,125**

(22) Filed: **Jul. 2, 2010**

(30) **Foreign Application Priority Data**

Jan. 5, 2010 (KR) ..... 30-2010-0000191

(51) **LOC (9) Cl.** ..... **14-03**

(52) **U.S. Cl.** ..... **D14/126**

(58) **Field of Classification Search** ..... D14/125-134,  
D14/239, 371, 136, 374-377, 440, 450, 448,  
D14/336, 342; 312/7.2; 348/836, 838, 180,  
348/184, 325, 739; 341/12; 248/917-924,  
248/465; 345/104, 133, 156, 168, 87, 173;  
720/605, 669, 600, 655; 369/99, 197; D21/329,  
D21/515, 577, 622, 333, 433, 448, 452, 450,  
D21/331; D6/477, 479, 300; 273/148 B;  
446/484, 175, 356; D10/15, 26

See application file for complete search history.

U.S. PATENT DOCUMENTS

D563,336 S *	3/2008	Shih et al.	.....	D14/126
D573,559 S *	7/2008	Kim et al.	.....	D14/126
D584,309 S *	1/2009	Kim et al.	.....	D14/374
D608,312 S *	1/2010	Lim et al.	.....	D14/126
D608,314 S *	1/2010	Boo et al.	.....	D14/126
D619,112 S *	7/2010	Jung et al.	.....	D14/126
D622,235 S *	8/2010	Lee et al.	.....	D14/126
D622,236 S *	8/2010	Lim et al.	.....	D14/126
D623,155 S *	9/2010	Kim et al.	.....	D14/126

\* cited by examiner

*Primary Examiner* — Raphael Barkai

(74) *Attorney, Agent, or Firm* — Birch, Stewart, Kolasch & Birch, LLP

(57) **CLAIM**

The ornamental design for a LCD television receiver, as shown and described.

**DESCRIPTION**

FIG. 1 is a perspective view of a LCD television receiver showing our new design;  
FIG. 2 is a front view thereof;  
FIG. 3 is a rear view thereof;  
FIG. 4 is a left side view thereof;  
FIG. 5 is a right side view thereof;  
FIG. 6 is a top plan view thereof; and,  
FIG. 7 is a bottom plan view thereof.

**1 Claim, 6 Drawing Sheets**

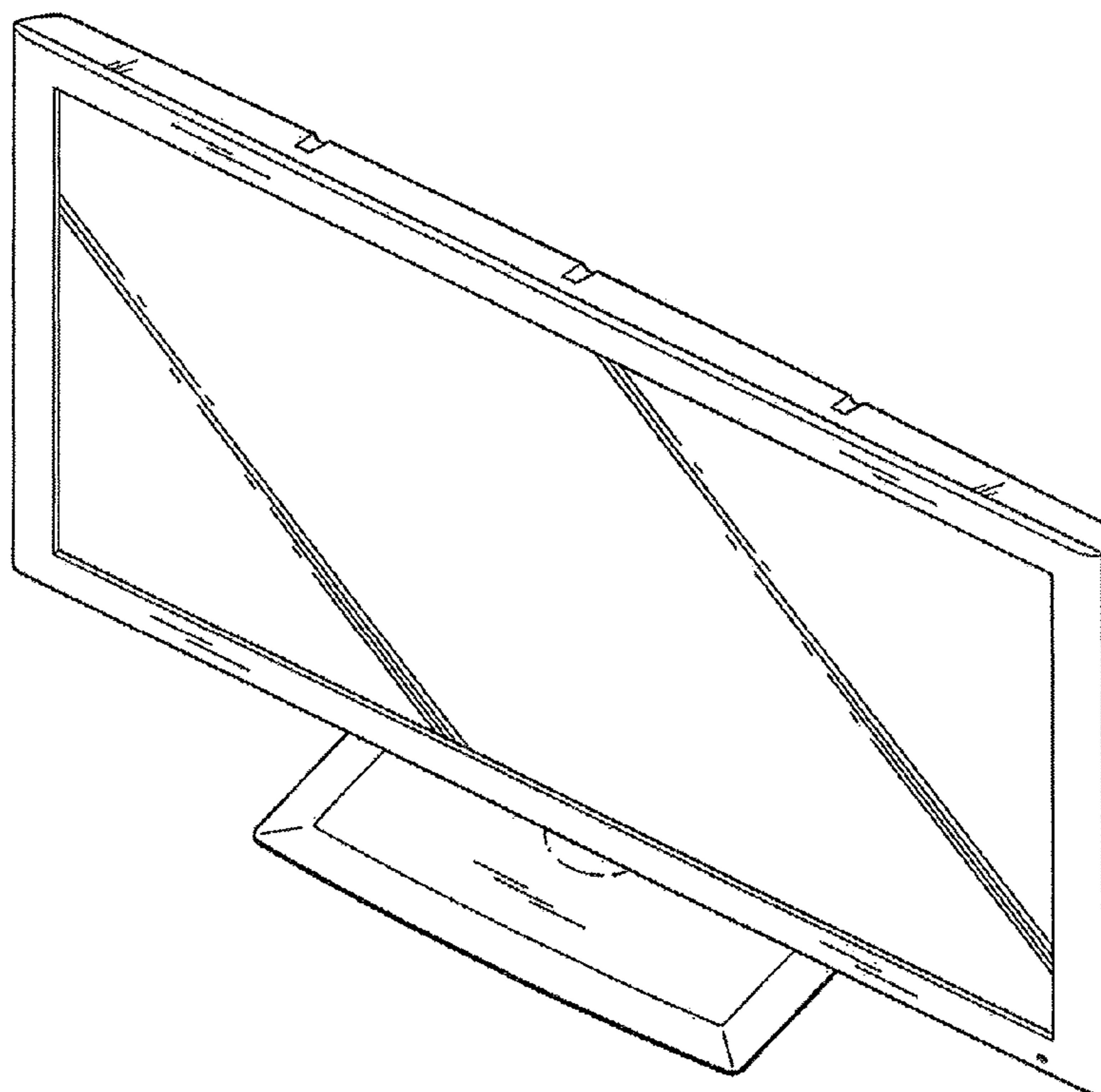


FIG. 1

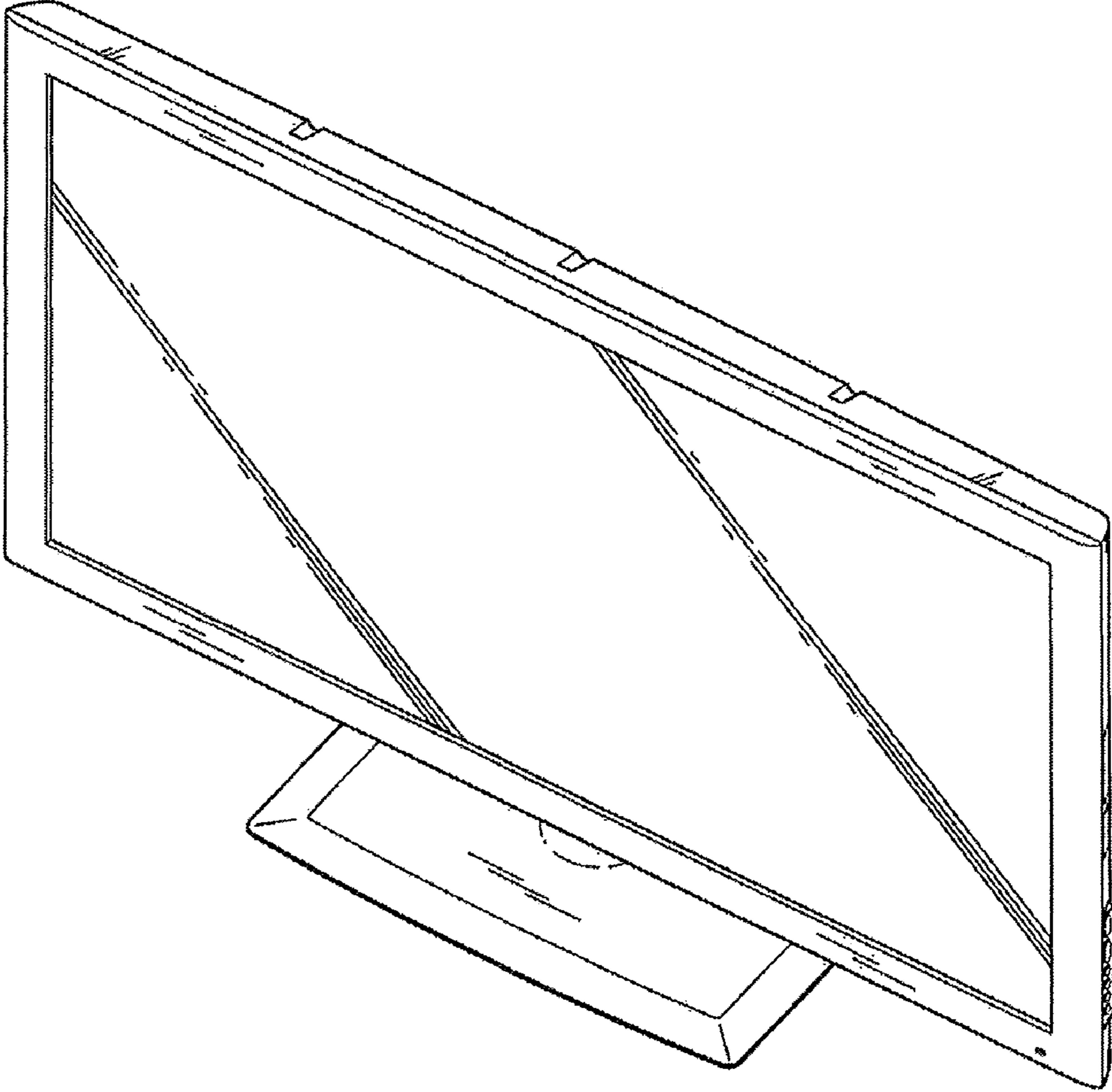


FIG. 2

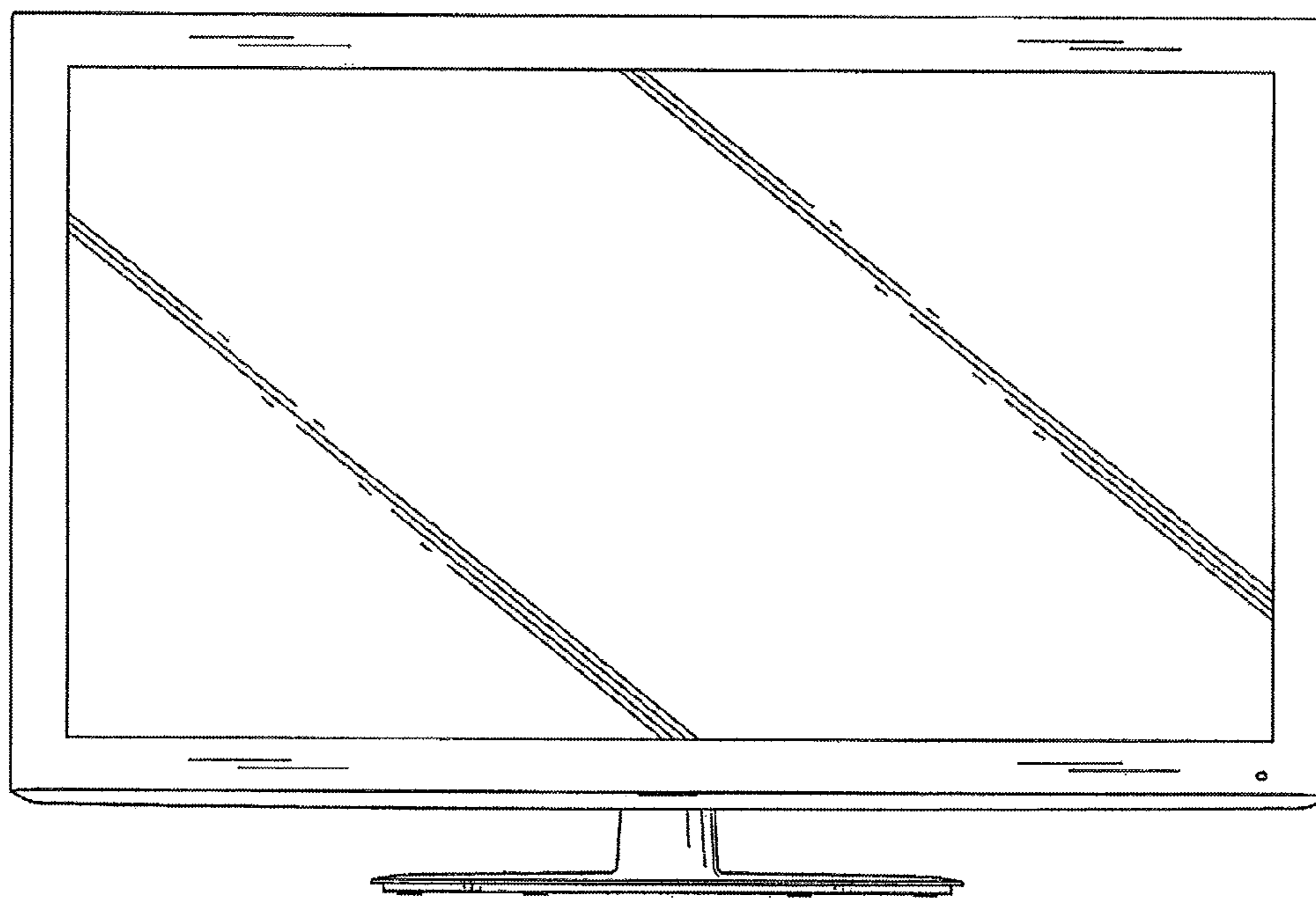


FIG. 3

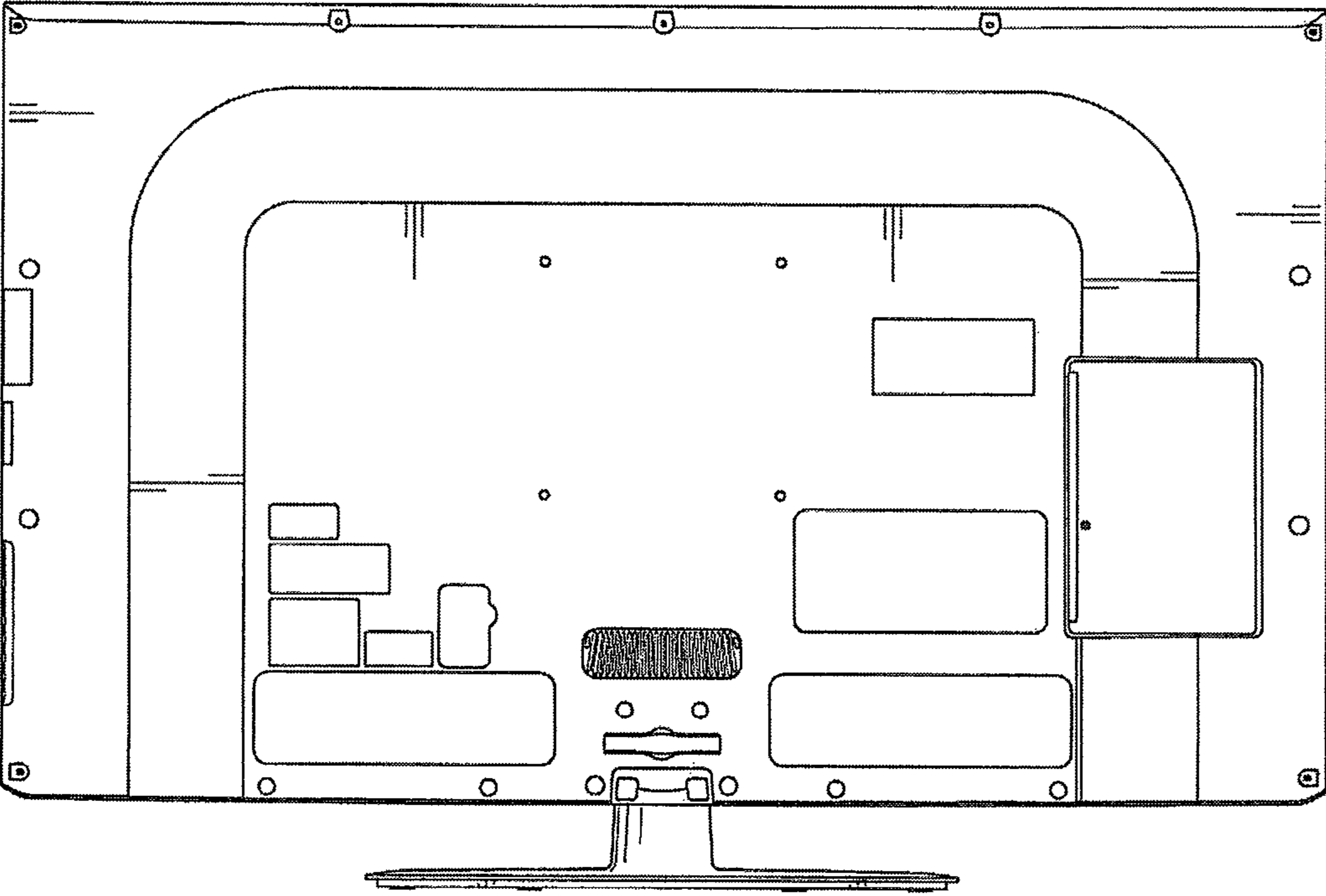


FIG. 4

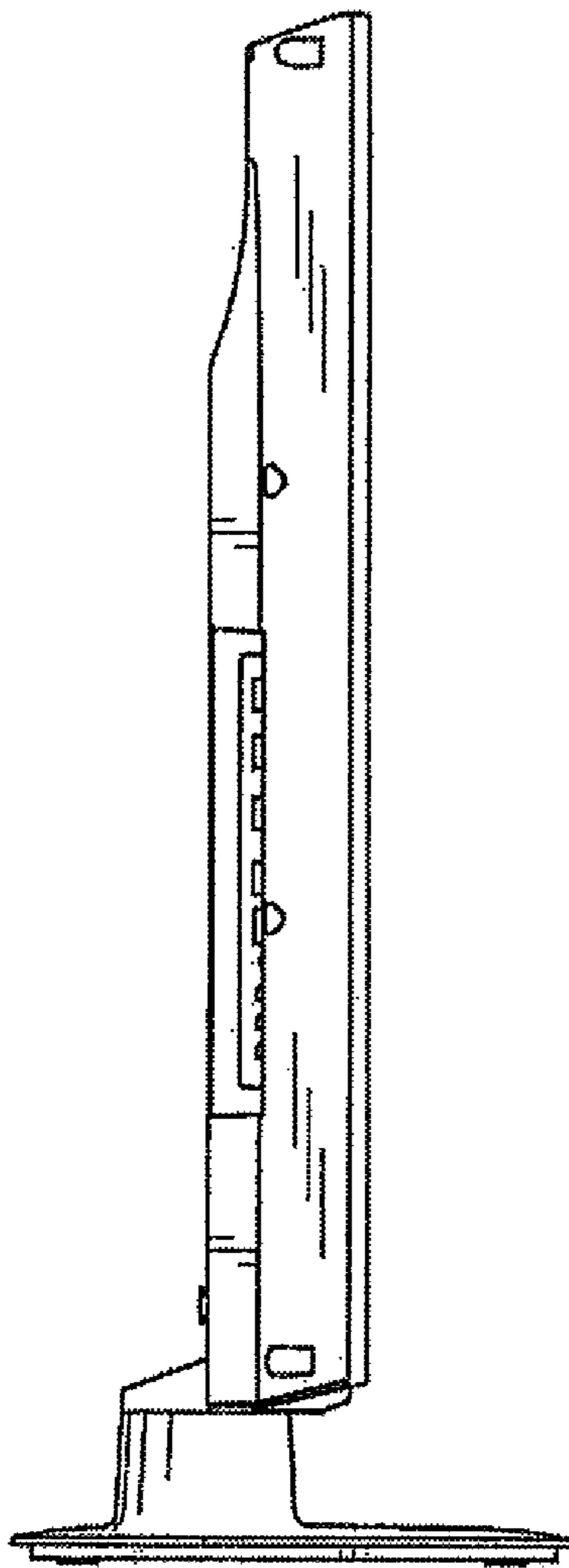


FIG. 5

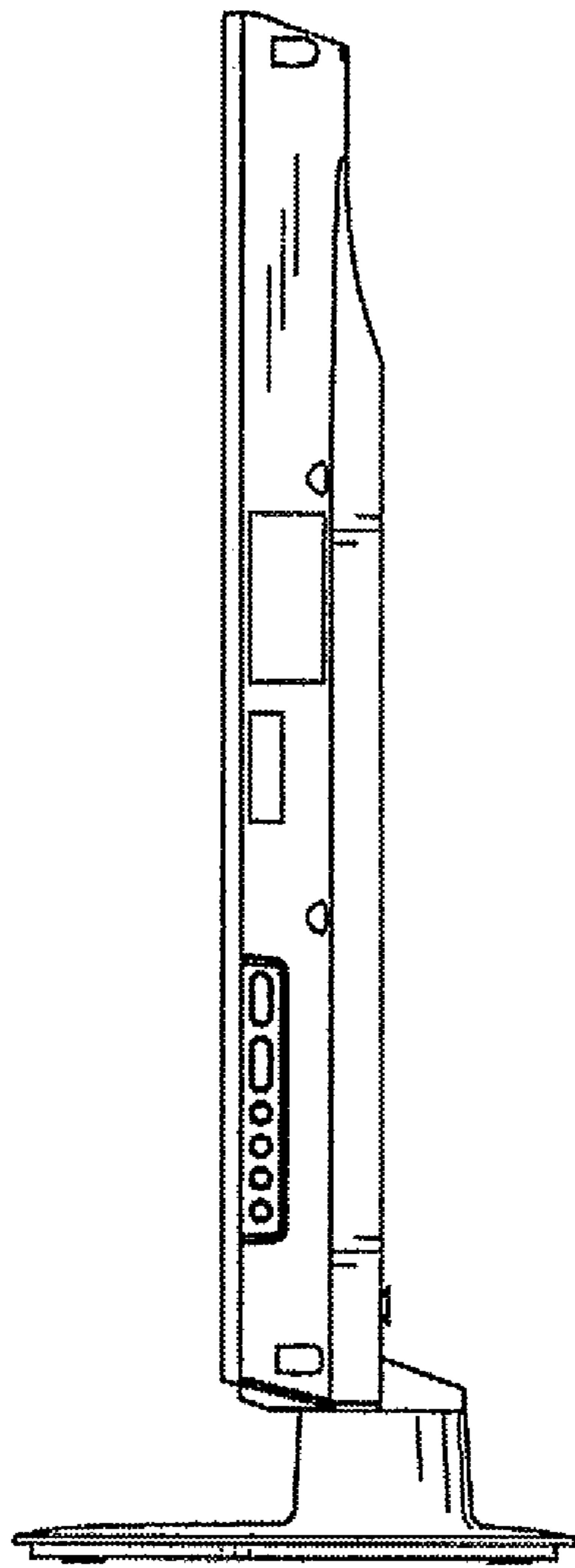


FIG. 6

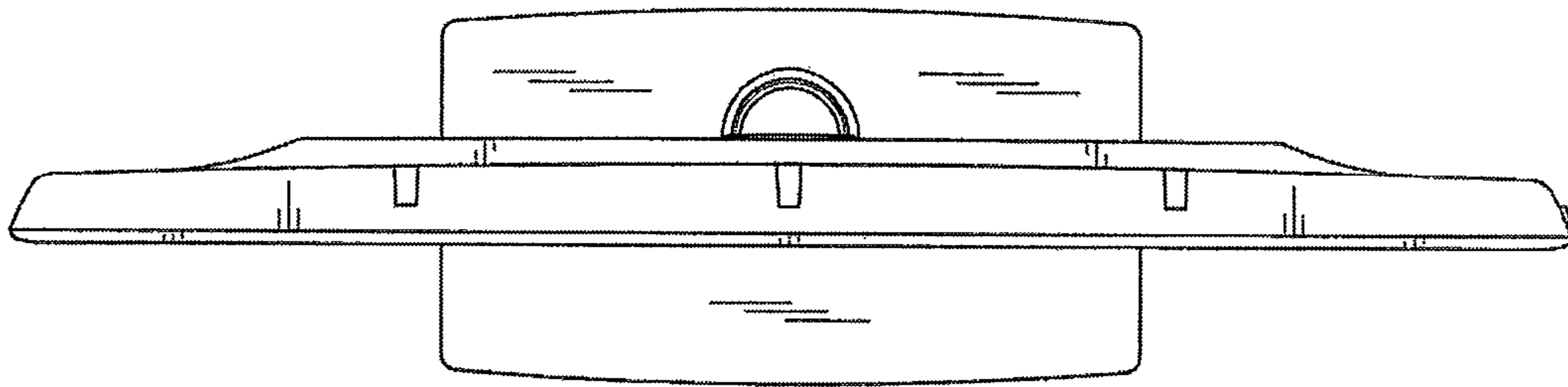


FIG. 7

