



US00D639255S

(12) **United States Design Patent**
de Salis

(10) **Patent No.:** **US D639,255 S**

(45) **Date of Patent:** **** Jun. 7, 2011**

(54) **SET TOP BOX**

(75) **Inventor:** **Andre de Salis**, Pasadena, CA (US)

(73) **Assignee:** **Thomson Licensing** (FR)

(**) **Term:** **14 Years**

(21) **Appl. No.:** **29/382,536**

(22) **Filed:** **Jan. 5, 2011**

(51) **LOC (9) Cl.** **14-03**

(52) **U.S. Cl.** **D14/125**

(58) **Field of Classification Search** D14/125-134,
D14/168, 188, 197, 198, 371, 374-377, 496;
312/7.1, 7.2; 348/836, 838, 180, 184, 325,
348/739; 341/12; 349/58; 720/600, 619,
720/646, 647, 655; 455/347-351; 369/75.11,
369/75.21

See application file for complete search history.

(56) **References Cited**

U.S. PATENT DOCUMENTS

D446,449 S *	8/2001	Conway	D9/420
D513,617 S *	1/2006	Tierney	D14/496
D526,648 S *	8/2006	Andre et al.	D14/314
D528,794 S *	9/2006	Lanham et al.	D3/294
D542,288 S *	5/2007	Andre et al.	D14/314
D568,312 S *	5/2008	Wang et al.	D14/356

D601,583 S *	10/2009	Andre et al.	D14/496
D603,827 S *	11/2009	Tompkin et al.	D14/138 AD
D604,729 S *	11/2009	Andre et al.	D14/314
D613,283 S *	4/2010	Andre et al.	D14/314
D620,953 S *	8/2010	Andre et al.	D14/496
D625,722 S *	10/2010	Park	D14/365
2002/0196724 A1 *	12/2002	Henrichs	369/75.1

* cited by examiner

Primary Examiner — Raphael Barkai

Assistant Examiner — Randall Gholson

(74) *Attorney, Agent, or Firm* — Tutunjian & Bitetto, P.C.

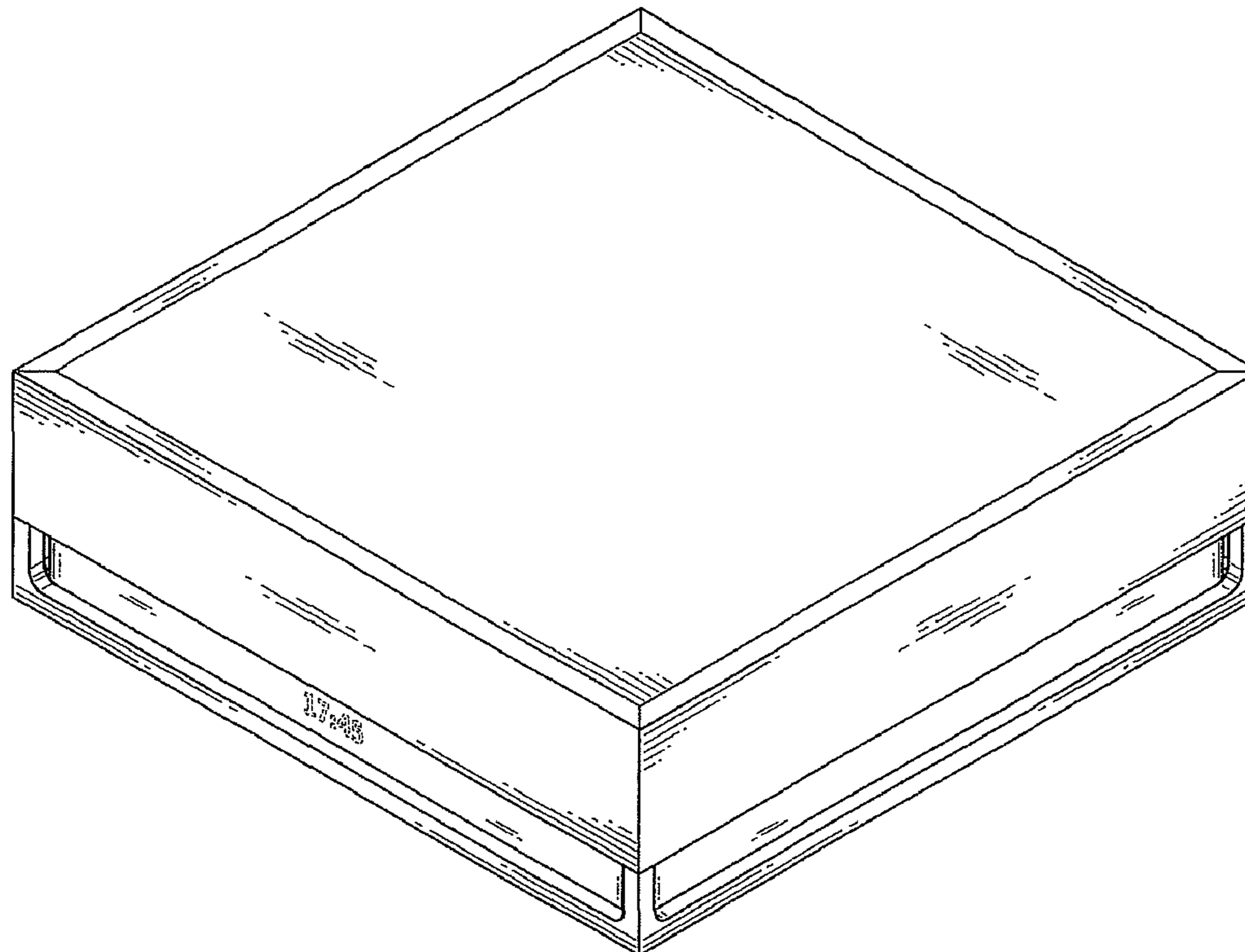
(57) **CLAIM**

The ornamental design for a set top box, as shown and described.

DESCRIPTION

FIG. 1 is a front right perspective view of the set top box showing our new design;
FIG. 2 is a front view thereof
FIG. 3 is a rear view thereof;
FIG. 4 is a top view thereof;
FIG. 5 is bottom view thereof;
FIG. 6 is a left side view thereof; and,
FIG. 7 is a right side view thereof.
The broken lines shown in the drawings illustrate features of the design not claimed.

1 Claim, 3 Drawing Sheets



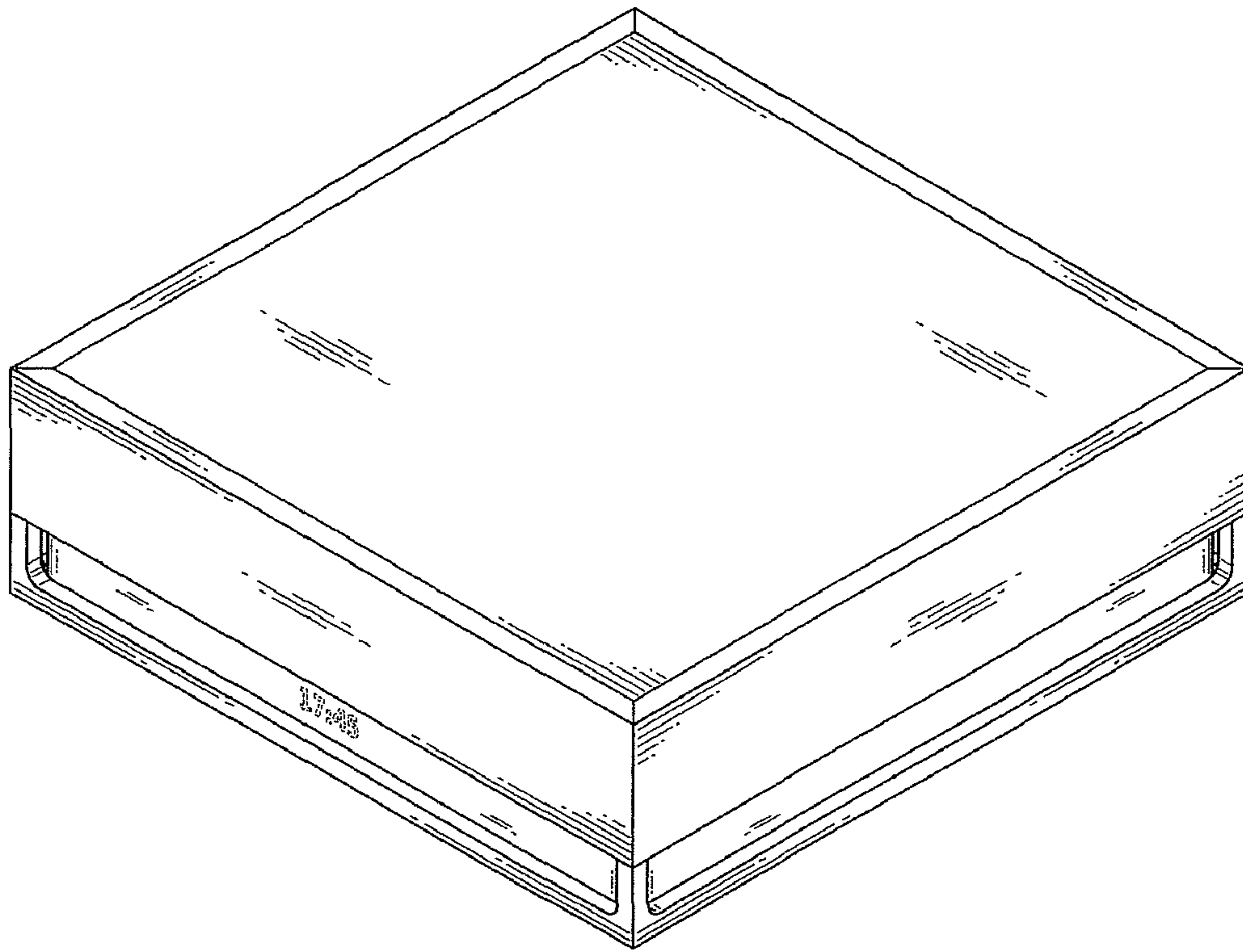


FIG. 1

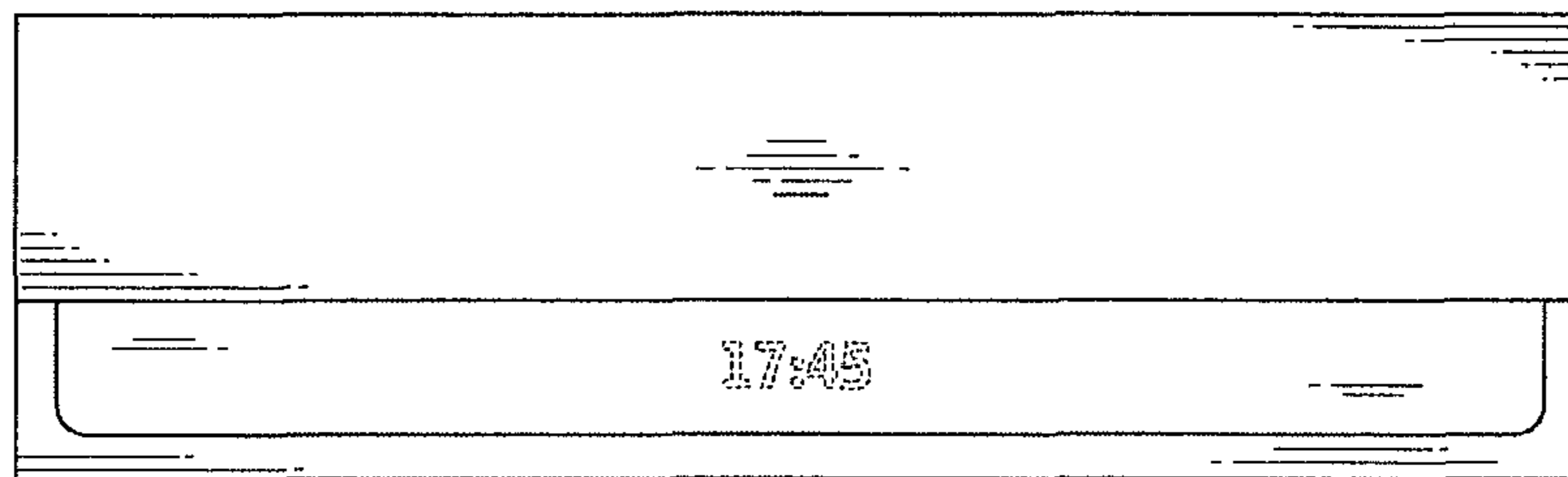


FIG. 2

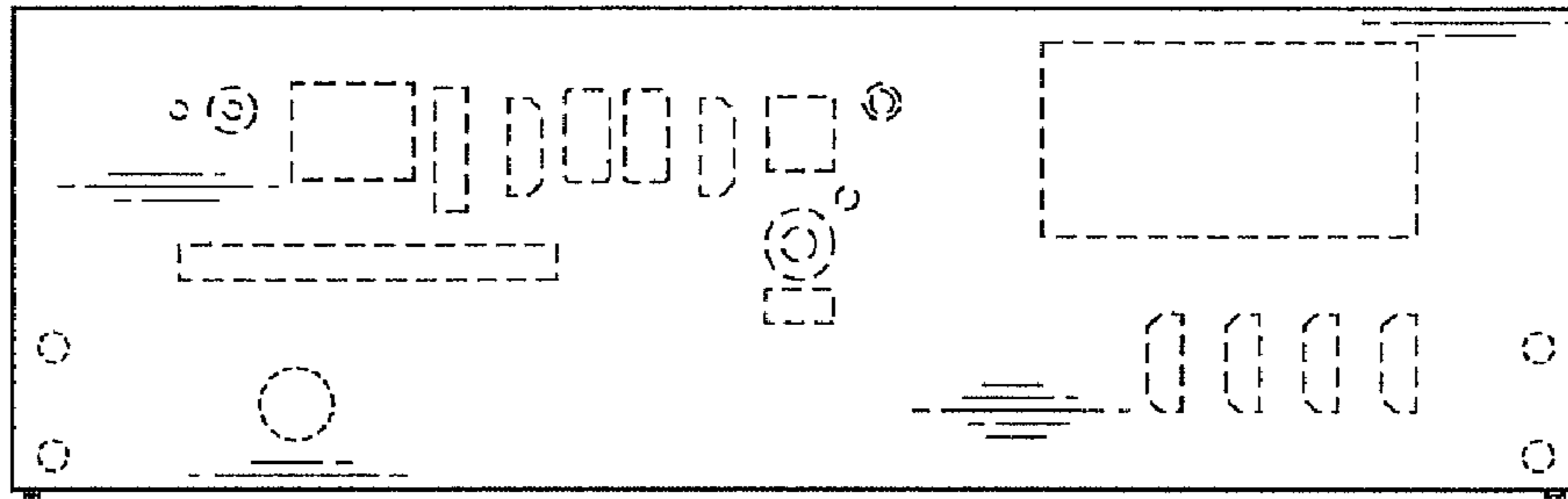


FIG. 3

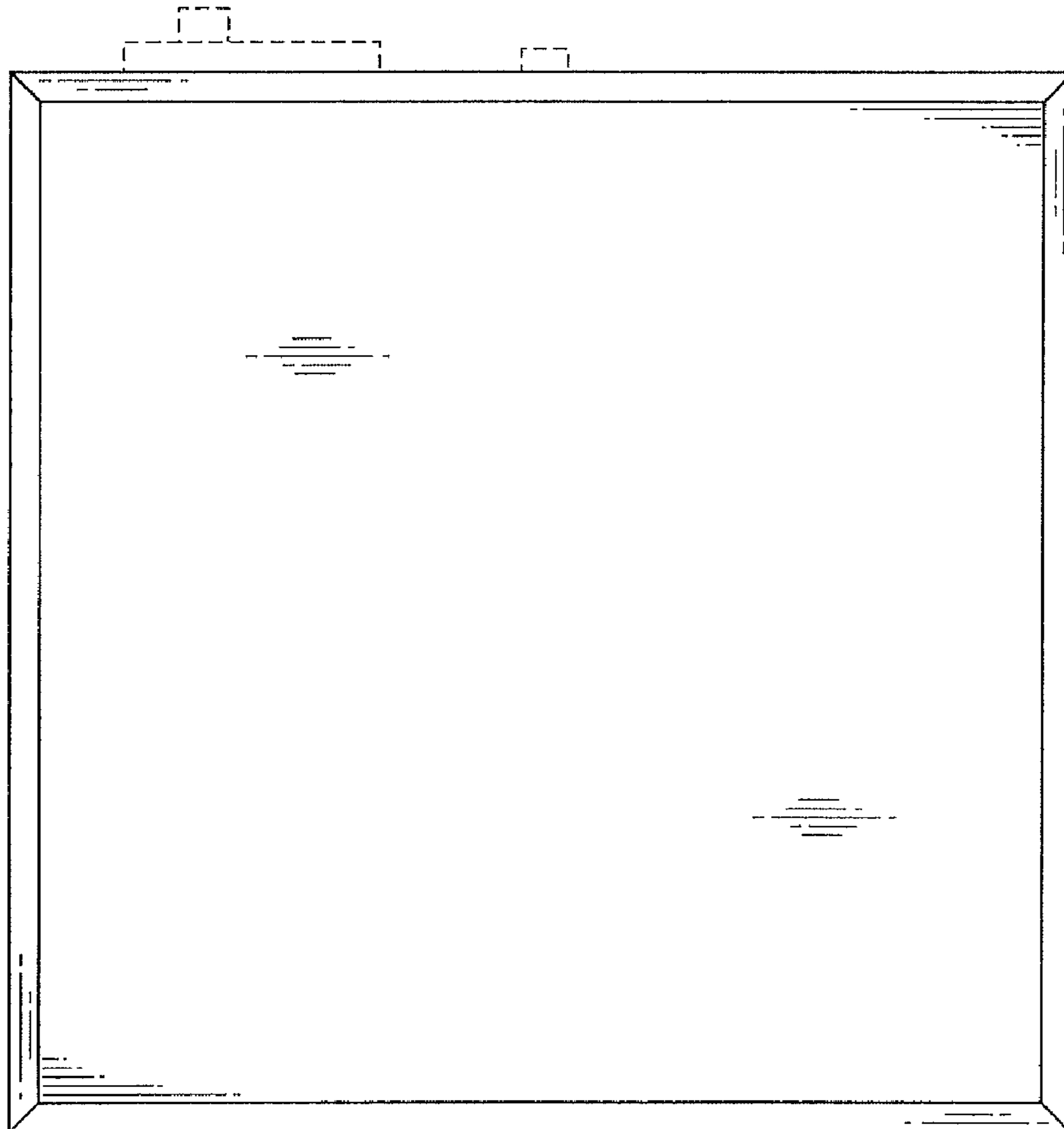


FIG. 4

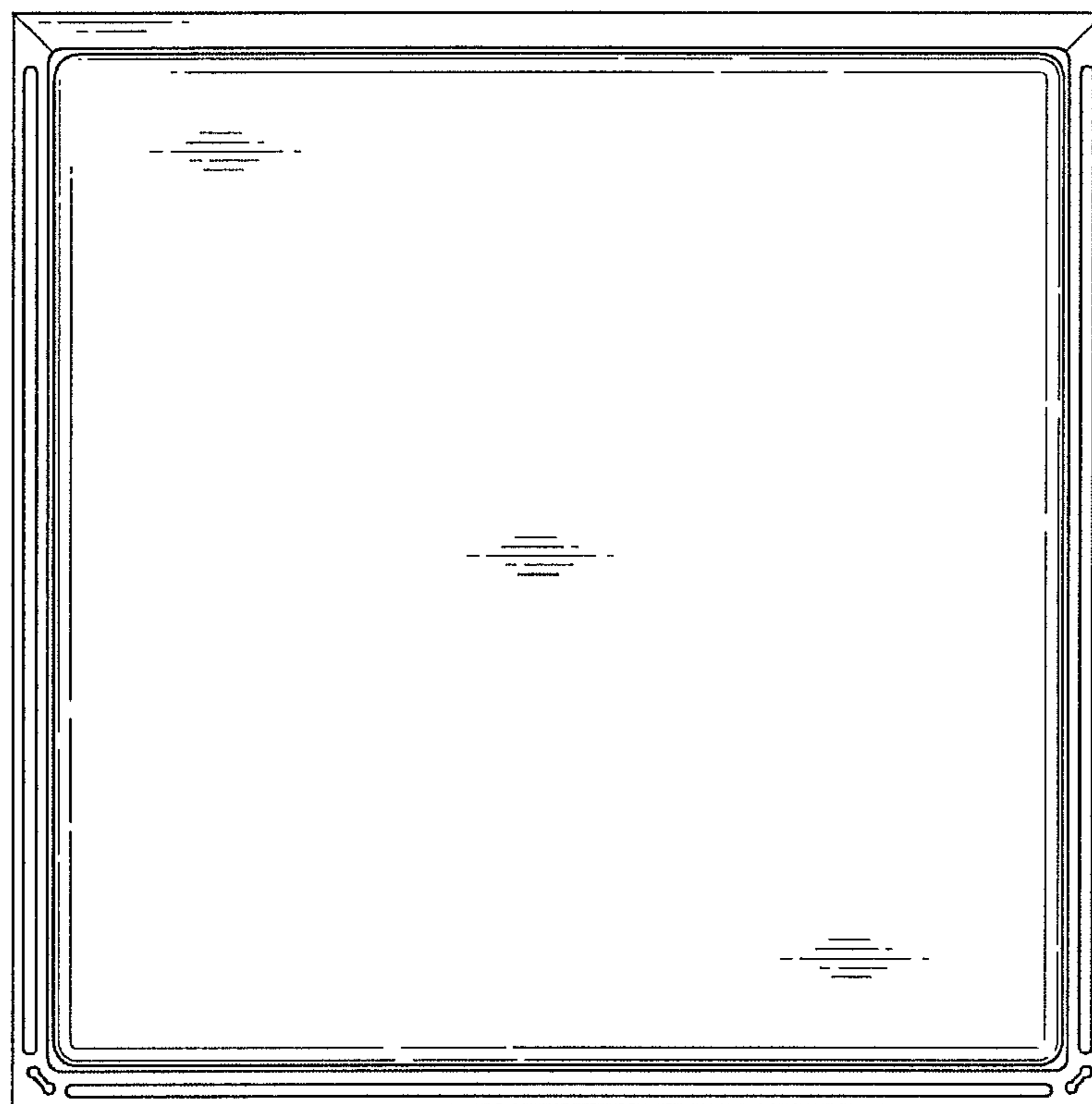


FIG. 5

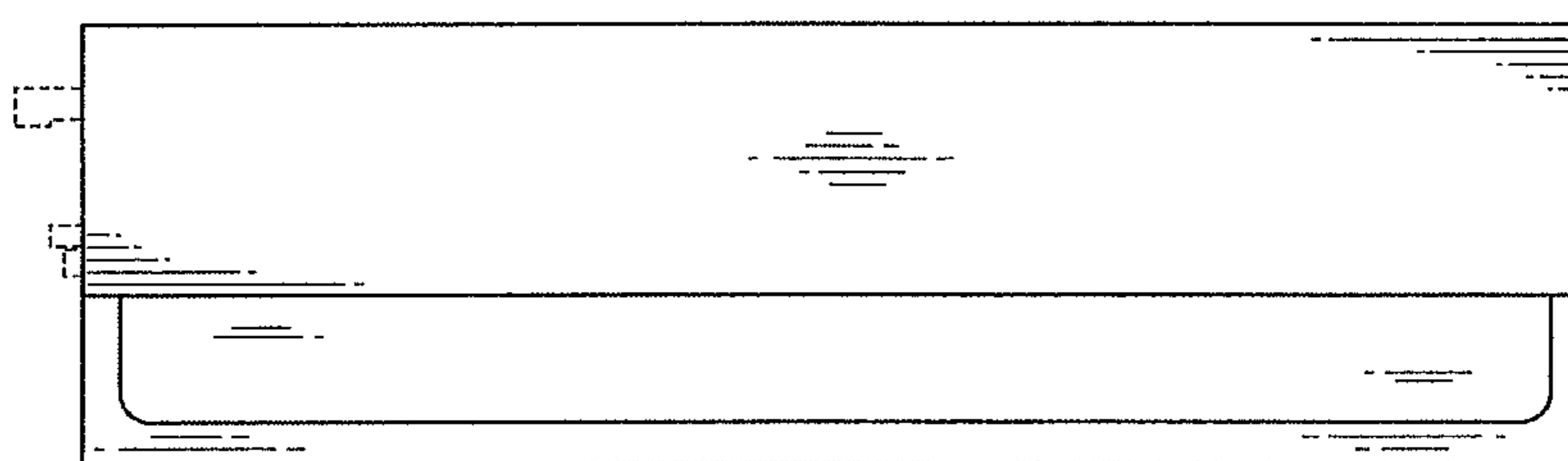


FIG. 6

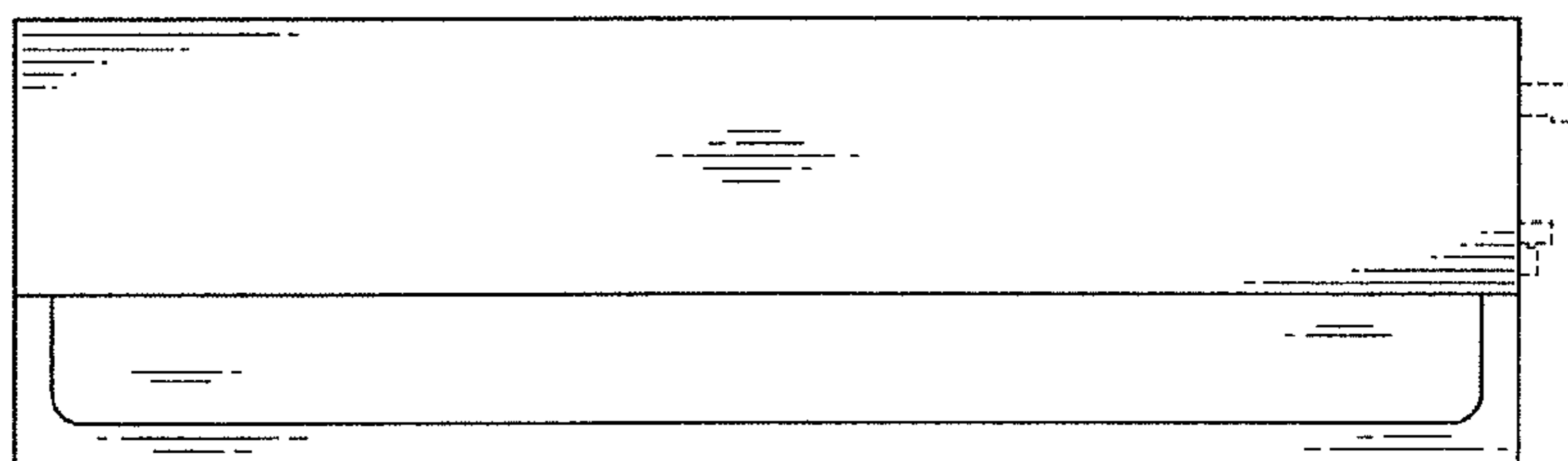


FIG. 7