



US00D639253S

(12) **United States Design Patent**
Tsai et al.

(10) **Patent No.:** **US D639,253 S**

(45) **Date of Patent:** **** Jun. 7, 2011**

(54) **MOUNTING FRAME FOR PRINTED CIRCUIT BOARD OF A MOUSE**

(75) Inventors: **Yung-Chih Tsai**, Tu-Cheng (TW);
Jia-Hung Su, Tu-Cheng (TW); **Kai Shih**, Tu-Cheng (TW)

(73) Assignee: **Cheng Uei Precision Industry Co., Ltd.**, Tu-Cheng, Taipei Hsien (TW)

(**) Term: **14 Years**

(21) Appl. No.: **29/369,682**

(22) Filed: **Sep. 10, 2010**

(51) **LOC (9) Cl.** **13-03**

(52) **U.S. Cl.** **D13/182**

(58) **Field of Classification Search** D13/182;
174/255; 248/346.01, 346.03; 361/679.02,
361/720, 740, 759, 760, 767, 825, 829; 439/325,
439/329, 566

See application file for complete search history.

(56) **References Cited**

U.S. PATENT DOCUMENTS

4,987,517 A * 1/1991 Kurz 361/752
5,459,640 A * 10/1995 Moutrie et al. 361/707
5,673,182 A * 9/1997 Garner 361/829

5,986,892 A * 11/1999 Hargy, III 361/759
6,184,462 B1 * 2/2001 Bellur et al. 174/535
6,262,714 B1 * 7/2001 Yu-Chih 345/163
6,275,388 B1 * 8/2001 Hennick et al. 361/807
6,307,753 B1 * 10/2001 Baginy et al. 361/796
6,831,840 B2 * 12/2004 Ruff 361/759
6,929,498 B2 * 8/2005 Tan 439/342
7,001,212 B1 * 2/2006 Juntwait 439/566
2008/0205015 A1 * 8/2008 Vich 361/782
2008/0298040 A1 * 12/2008 Lee 361/809
2009/0109631 A1 * 4/2009 Imai et al. 361/720
2010/0328905 A1 * 12/2010 Chang et al. 361/752

* cited by examiner

Primary Examiner — Selina Sikder

(74) *Attorney, Agent, or Firm* — Cheng-Ju Chiang

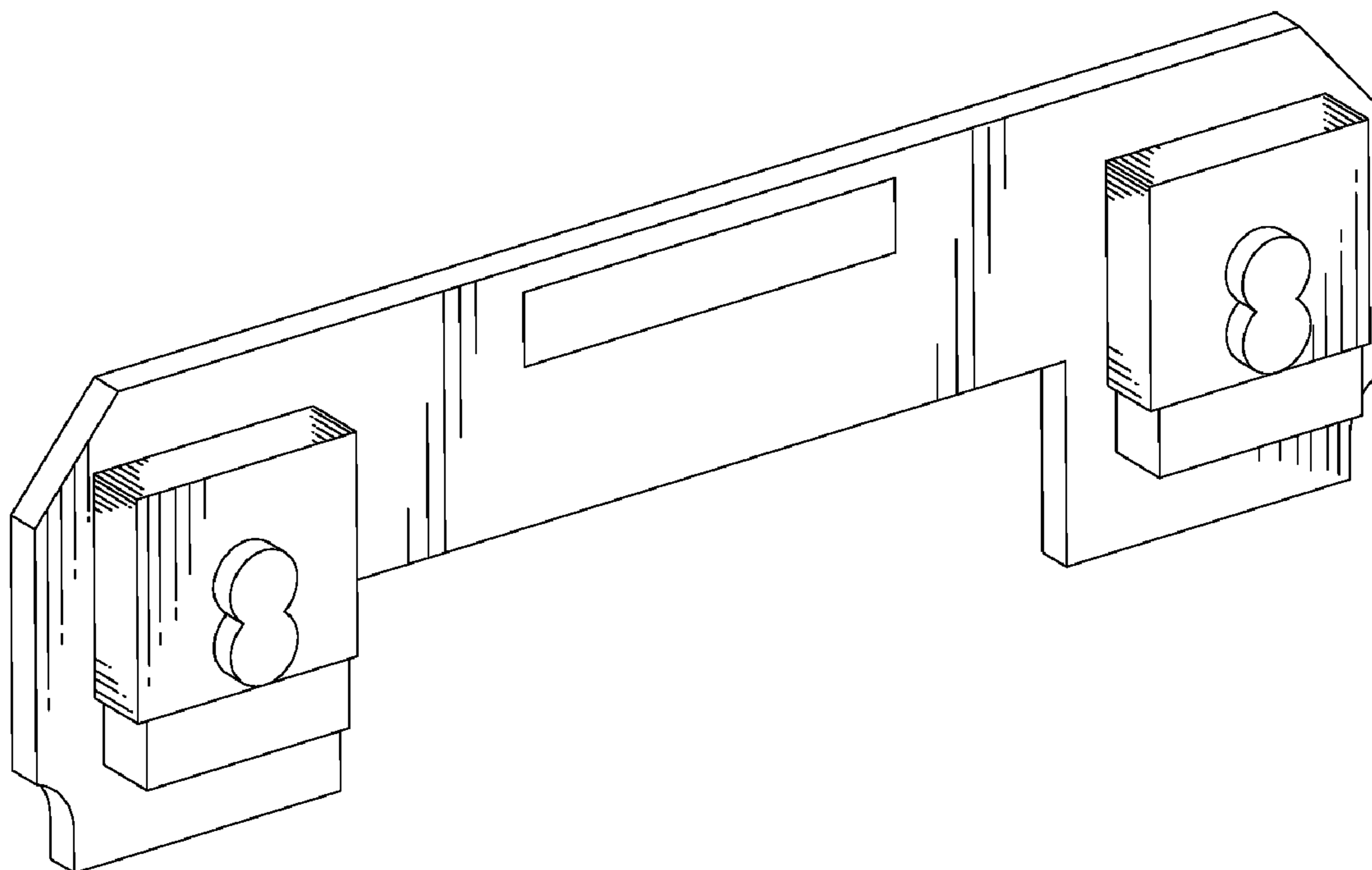
(57) **CLAIM**

The ornamental design for a mounting frame for printed circuit board of a mouse, as shown and described.

DESCRIPTION

FIG. 1 is a perspective view of a mounting frame for printed circuit board of a mouse showing our new design;
FIG. 2 is a front elevational view thereof;
FIG. 3 is a rear elevational view thereof;
FIG. 4 is a left side elevational view thereof;
FIG. 5 is a right side elevational view thereof;
FIG. 6 is a top plan view thereof; and,
FIG. 7 is a bottom plan view thereof.

1 Claim, 7 Drawing Sheets



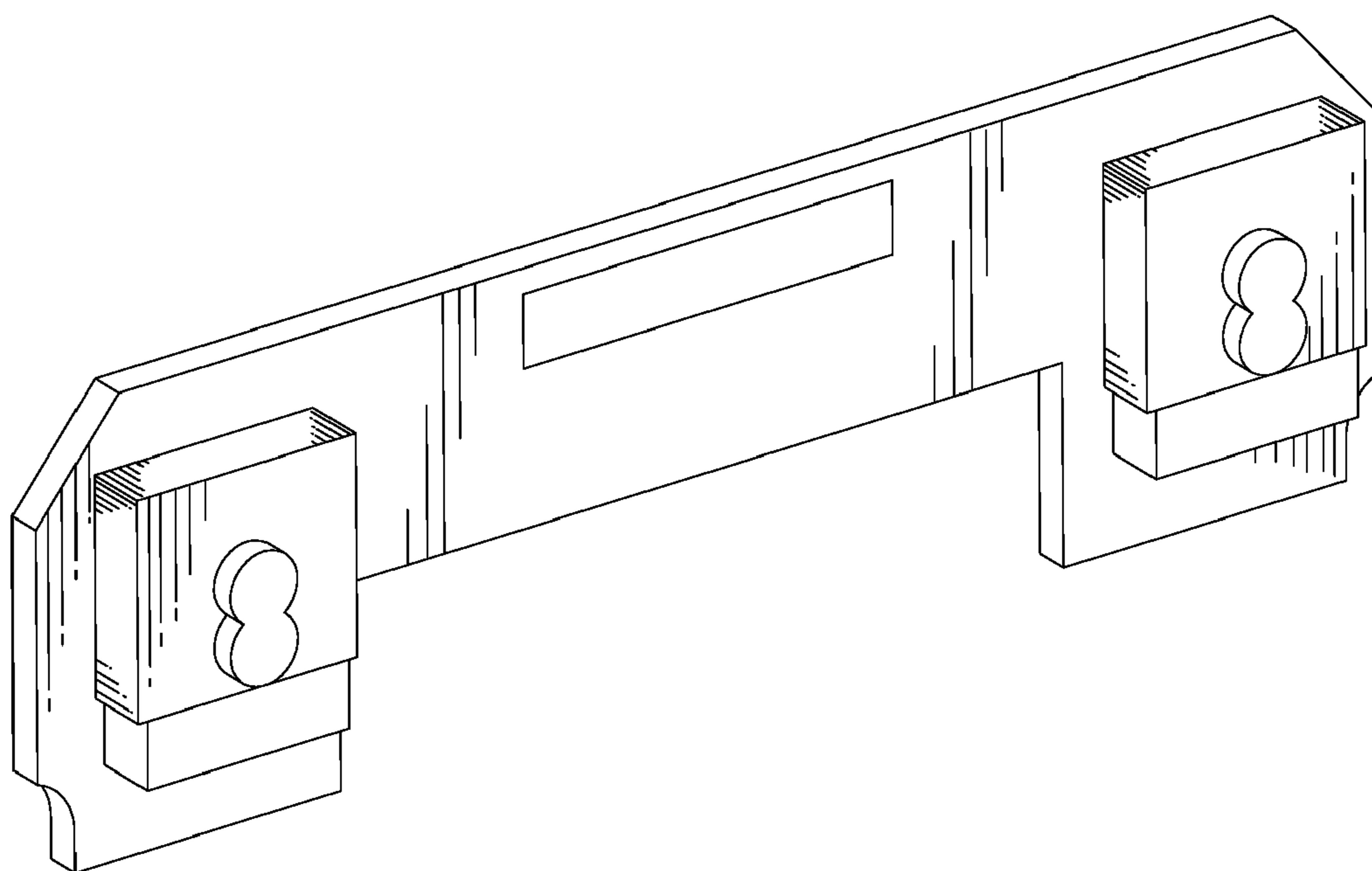


FIG. 1

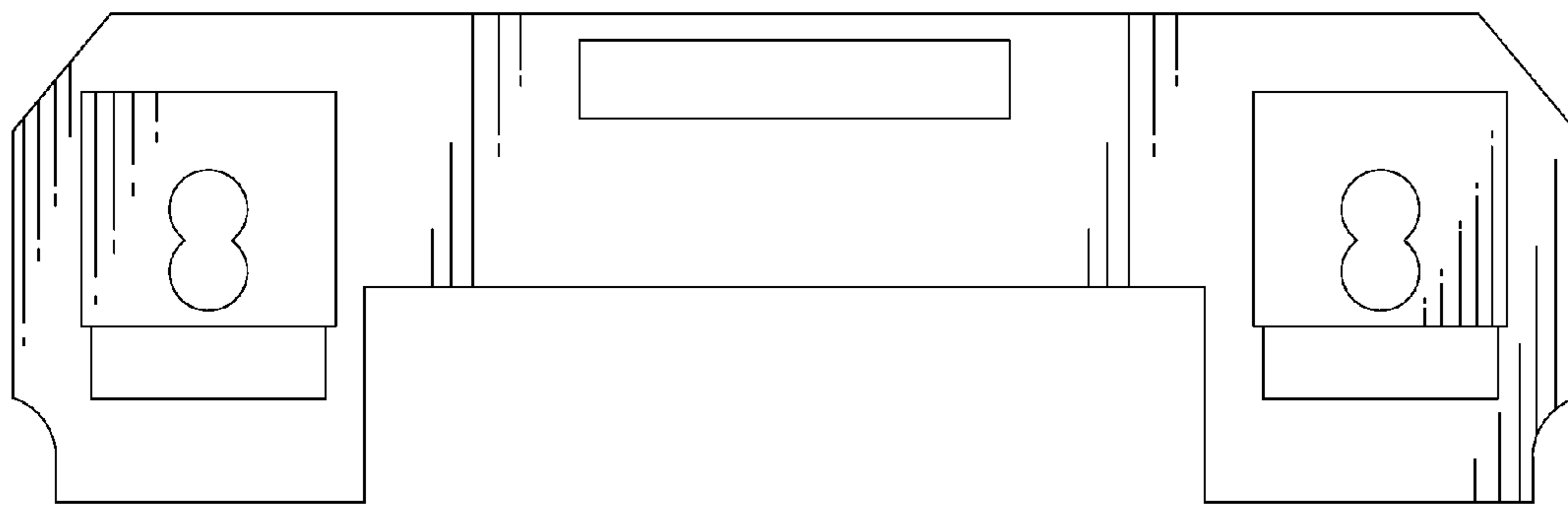


FIG. 2

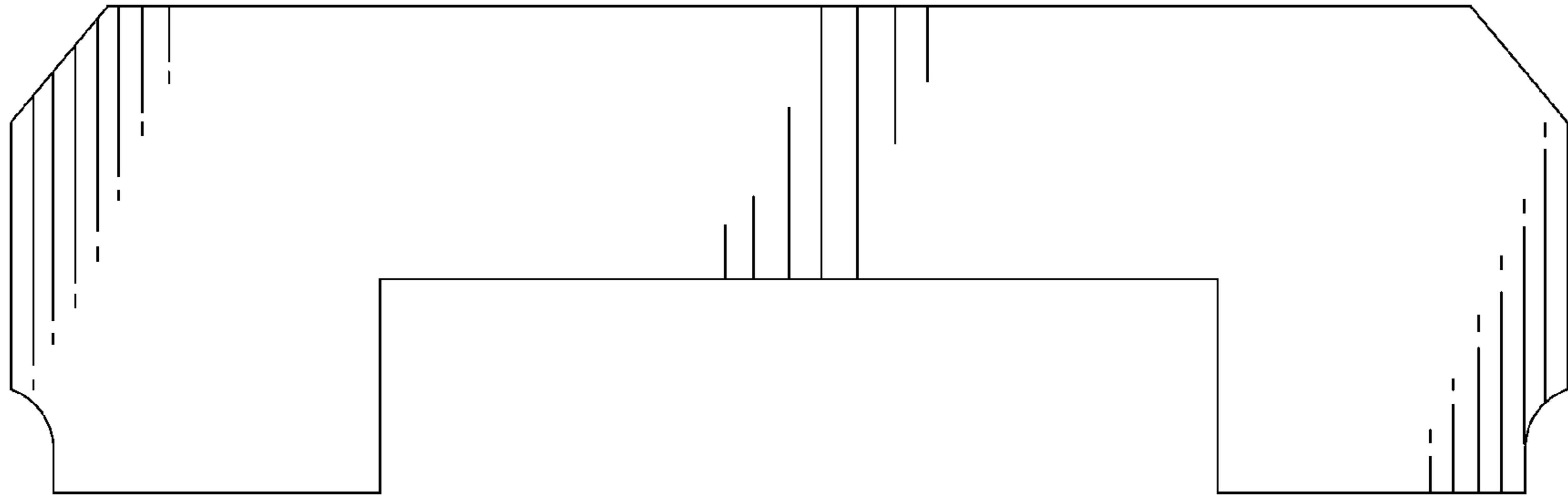


FIG. 3

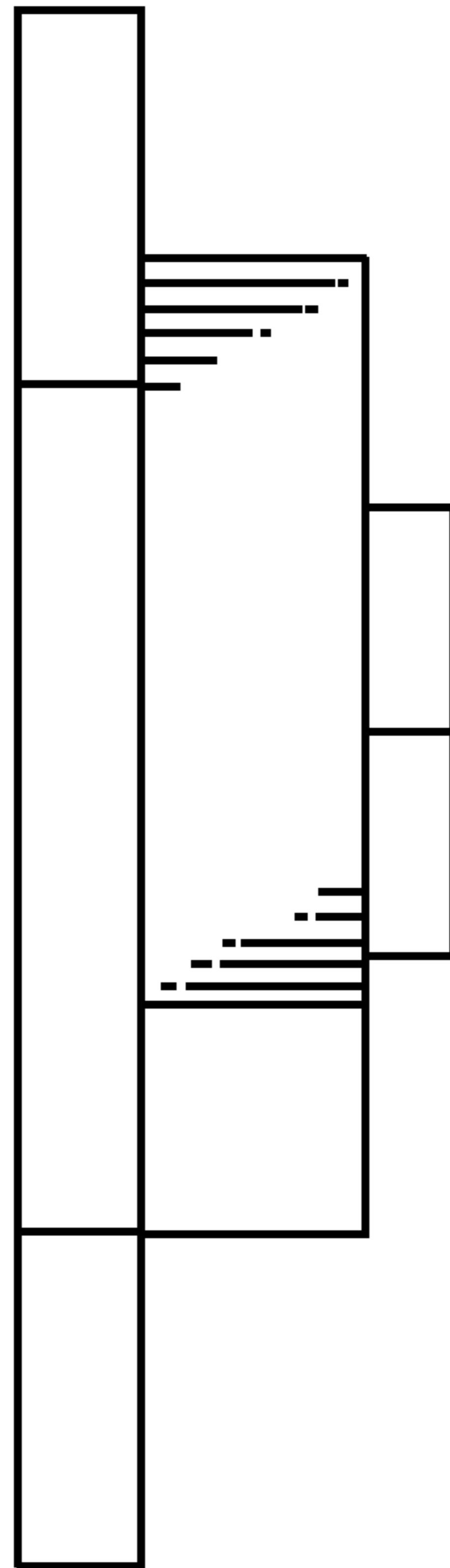


FIG. 4

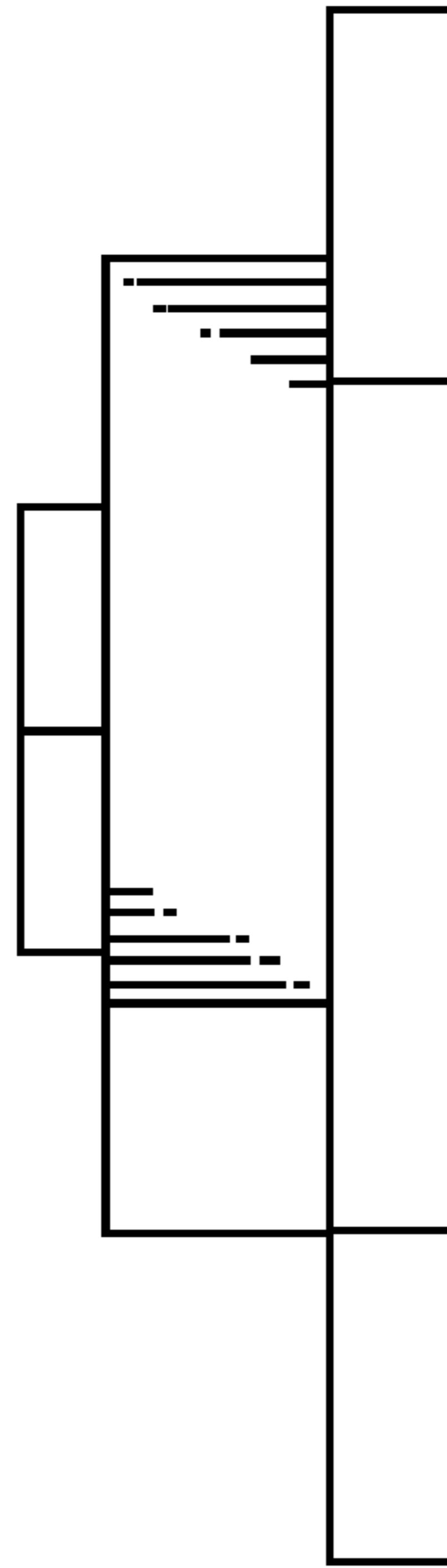


FIG. 5

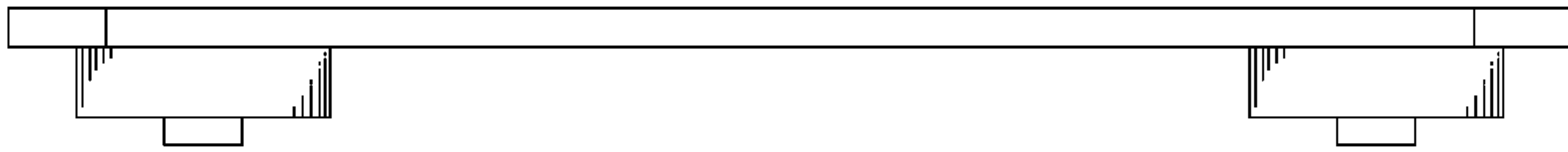


FIG. 6

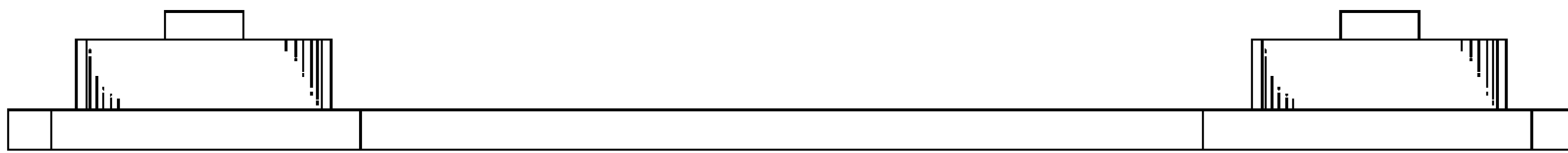


FIG. 7