

US00D639252S

(12) **United States Design Patent**
Azzola et al.

(10) **Patent No.:** **US D639,252 S**
(45) **Date of Patent:** **** Jun. 7, 2011**

(54) **CIRCUIT BREAKER AND COMPONENTS THEREFOR**

(75) Inventors: **Lucio Azzola**, Bergamo (IT); **Giovanni Frassinetti**, Bergamo (IT)

(73) Assignee: **ABB S.p.A.**, Milan (IT)

(**) Term: **14 Years**

(21) Appl. No.: **29/342,761**

(22) Filed: **Aug. 31, 2009**

Related U.S. Application Data

(62) Division of application No. 29/299,619, filed on Dec. 31, 2007, now Pat. No. Des. 599,301, which is a division of application No. 29/213,604, filed on Sep. 22, 2004, now Pat. No. Des. 562,777.

(30) **Foreign Application Priority Data**

Apr. 8, 2004 (EM) 000163977

(51) **LOC (9) Cl.** **13-03**

(52) **U.S. Cl.** **D13/160**

(58) **Field of Classification Search** D13/160;
200/43.14, 50.01, 50.21-50.23, 51 R, 293,
200/400; 361/42, 44, 45, 50, 71, 115, 608,
361/634

See application file for complete search history.

(56) **References Cited**

U.S. PATENT DOCUMENTS

4,728,757	A	3/1988	Buxton et al.	
D378,914	S	4/1997	Smith et al.	
D402,267	S	12/1998	M'Sadoques	
6,177,641	B1	1/2001	Morel et al.	
6,184,483	B1	2/2001	Coudert et al.	
6,388,867	B1	5/2002	Rakus et al.	
6,445,559	B1	9/2002	Phillips et al.	
6,489,577	B2	12/2002	Kurata	
7,064,283	B2	6/2006	Deylitz et al.	
7,141,747	B2	11/2006	Dahl et al.	
D562,777	S *	2/2008	Azzola et al.	D13/160
D587,658	S *	3/2009	Azzola et al.	D13/160

D593,040	S *	5/2009	Frassinetti et al.	D13/160
D599,301	S *	9/2009	Azzola et al.	D13/160
D611,002	S *	3/2010	Azzola et al.	D13/160
2004/0045796	A1	3/2004	Azzola et al.	
2005/0167256	A1	8/2005	Ford et al.	
2006/0118397	A1	6/2006	Dahl et al.	

FOREIGN PATENT DOCUMENTS

WO DM/055273 4/2001

OTHER PUBLICATIONS

ABB SACE L.V., SACE Emax. A system that's open to any solution., 604060/011 en, Jul. 1999, 19 pp.

Terasaki Electric, Revolution in circuit breaker technology, 35 pp.
ABB SACE L.V., Low voltage power circuit-breakers SACE Emax, Technical catalog, 604020/011 en., May 1999, 118 pp.

* cited by examiner

Primary Examiner — Selina Sikder

(74) *Attorney, Agent, or Firm* — Connolly Bove Lodge & Hutz LLP

(57) **CLAIM**

The ornamental design for circuit breaker and components therefor, as shown and described.

DESCRIPTION

FIG. 1 is a perspective view of a first embodiment of a circuit breaker and components therefor showing our new design; FIG. 2 is a front view thereof; FIG. 3 is a top view thereof; FIG. 4 is a bottom view thereof; FIG. 5 is a left view thereof; FIG. 6 is a right view thereof; FIG. 7 is a perspective view of a second embodiment of a circuit breaker and components therefor showing our new design; FIG. 8 is a front view thereof; FIG. 9 is a top view thereof; FIG. 10 is a bottom view thereof; FIG. 11 is a left view thereof; FIG. 12 is a right view thereof;

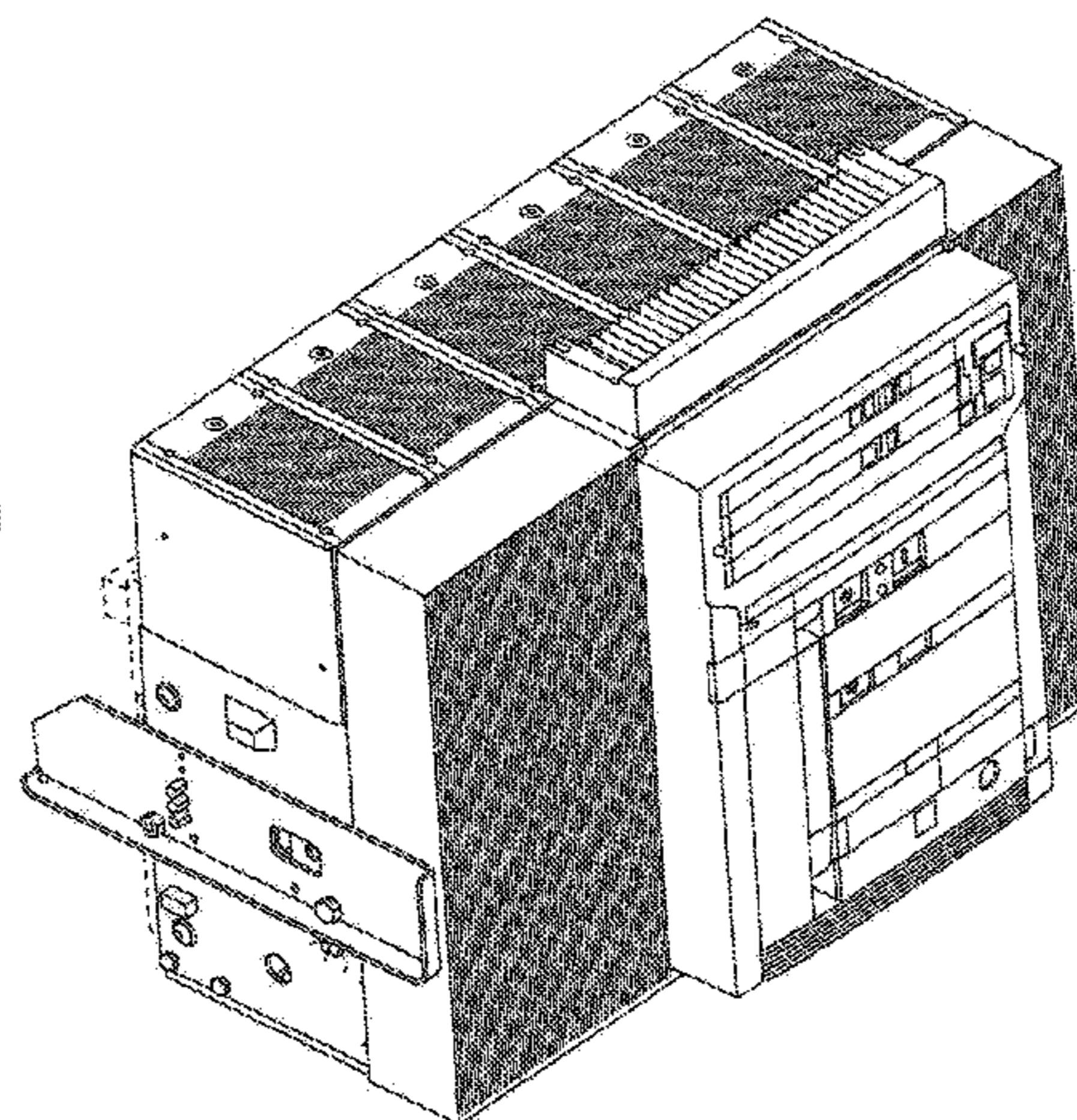
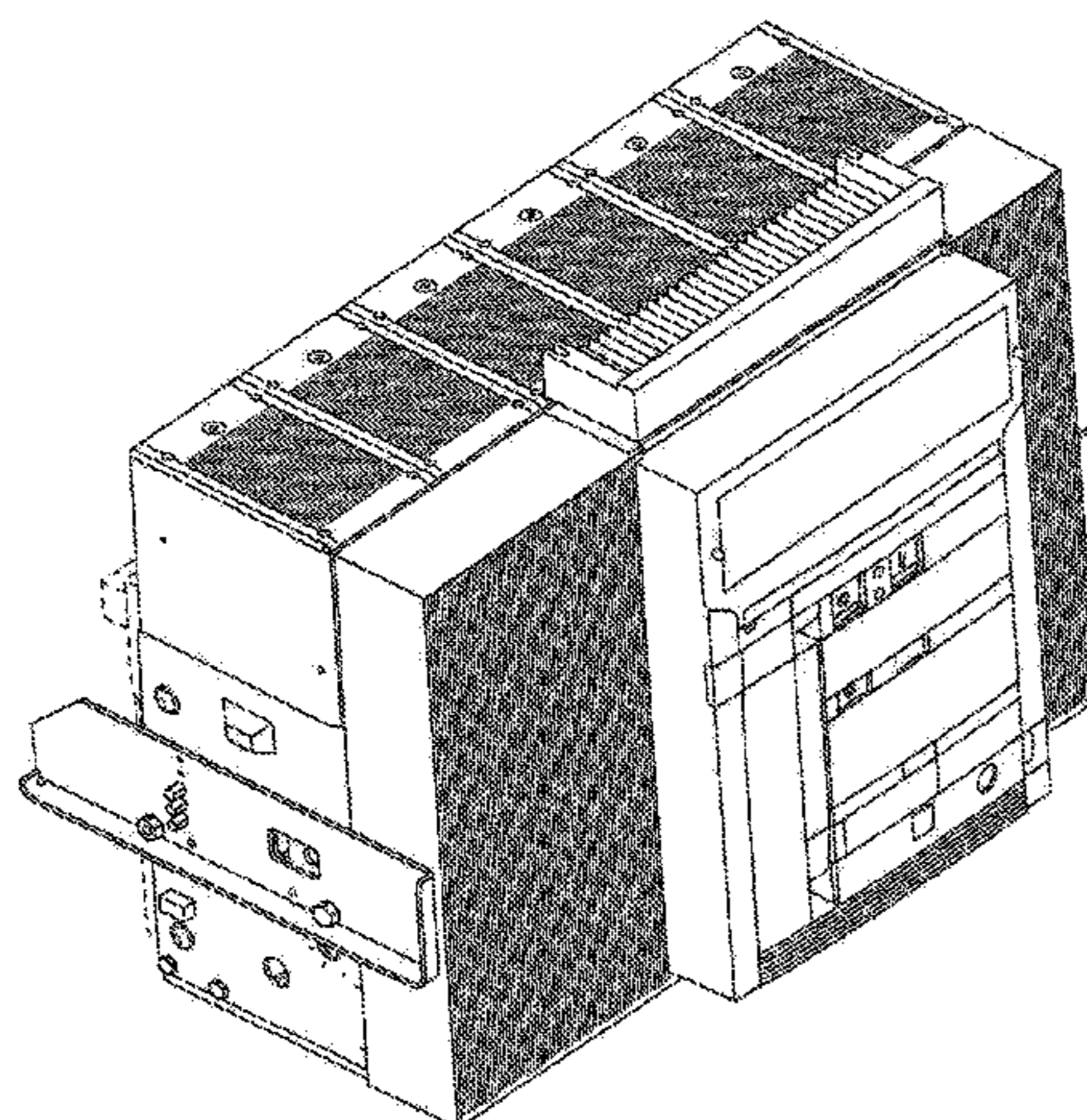


FIG. 13 is a perspective view of a third embodiment of a circuit breaker and components therefor showing our new design;

FIG. 14 is a front view thereof;

FIG. 15 is a top view thereof;

FIG. 16 is a bottom view thereof;

FIG. 17 is a left view thereof;

FIG. 18 is a right view thereof;

FIG. 19 is a perspective view of a fourth embodiment of a circuit breaker and components therefor showing our new design;

FIG. 20 is a front view thereof;

FIG. 21 is a top view thereof;

FIG. 22 is a bottom view thereof;

FIG. 23 is a left view thereof;

FIG. 24 is a right view thereof;

FIG. 25 is a perspective view of a fifth embodiment of a circuit breaker and components therefor showing our new design;

FIG. 26 is a front view thereof;

FIG. 27 is a top view thereof;

FIG. 28 is a bottom view thereof;

FIG. 29 is a left view thereof;

FIG. 30 is a right view thereof;

FIG. 31 is a perspective view of a sixth embodiment of a circuit breaker and components therefor showing our new design;

FIG. 32 is a front view thereof;

FIG. 33 is a top view thereof;

FIG. 34 is a bottom view thereof;

FIG. 35 is a left view thereof; and,

FIG. 36 is a right view thereof.

The features and portions of the circuit breaker and components therefore shown in broken lines form no part of the claimed design.

1 Claim, 36 Drawing Sheets

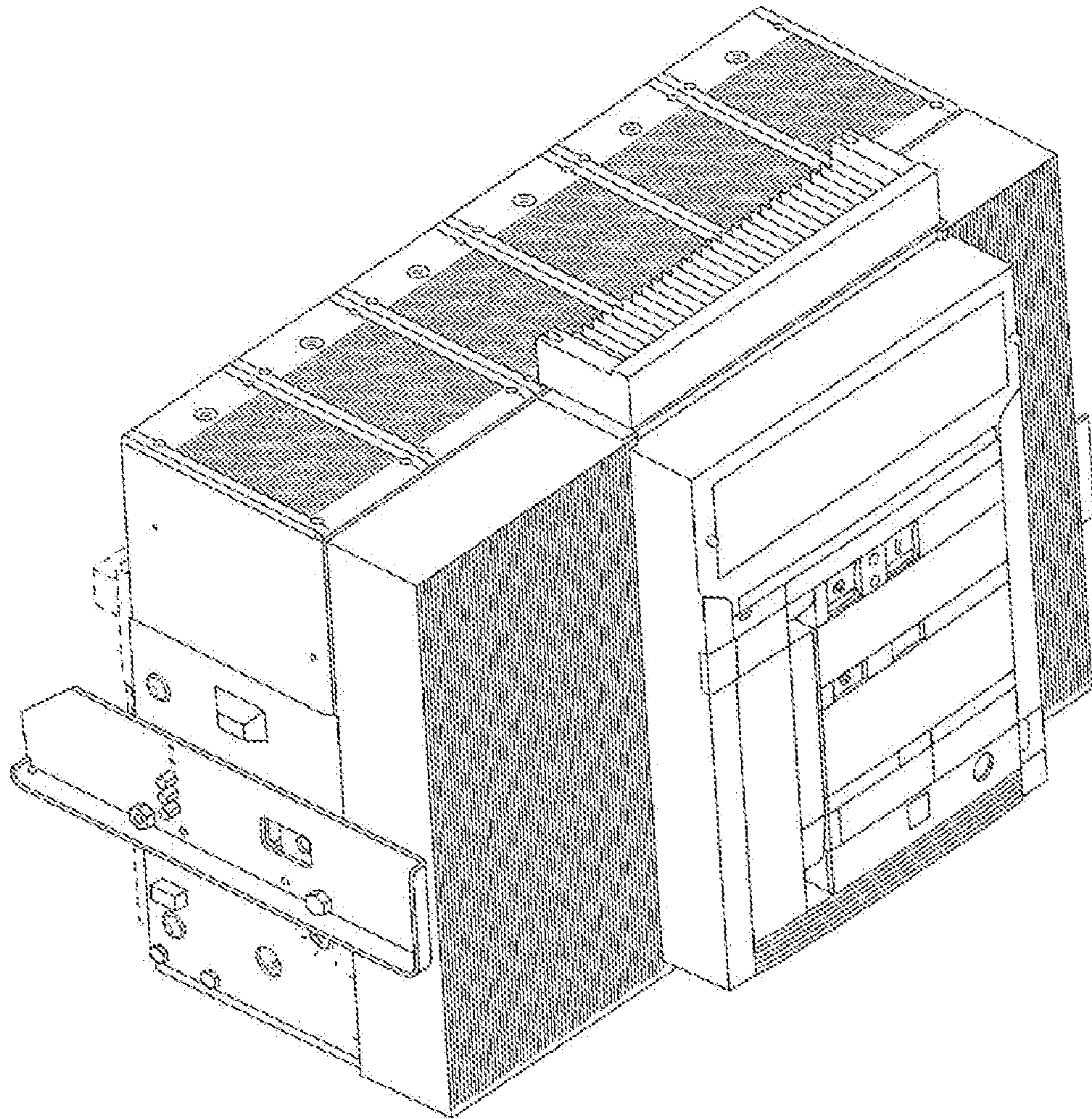


FIG. 1

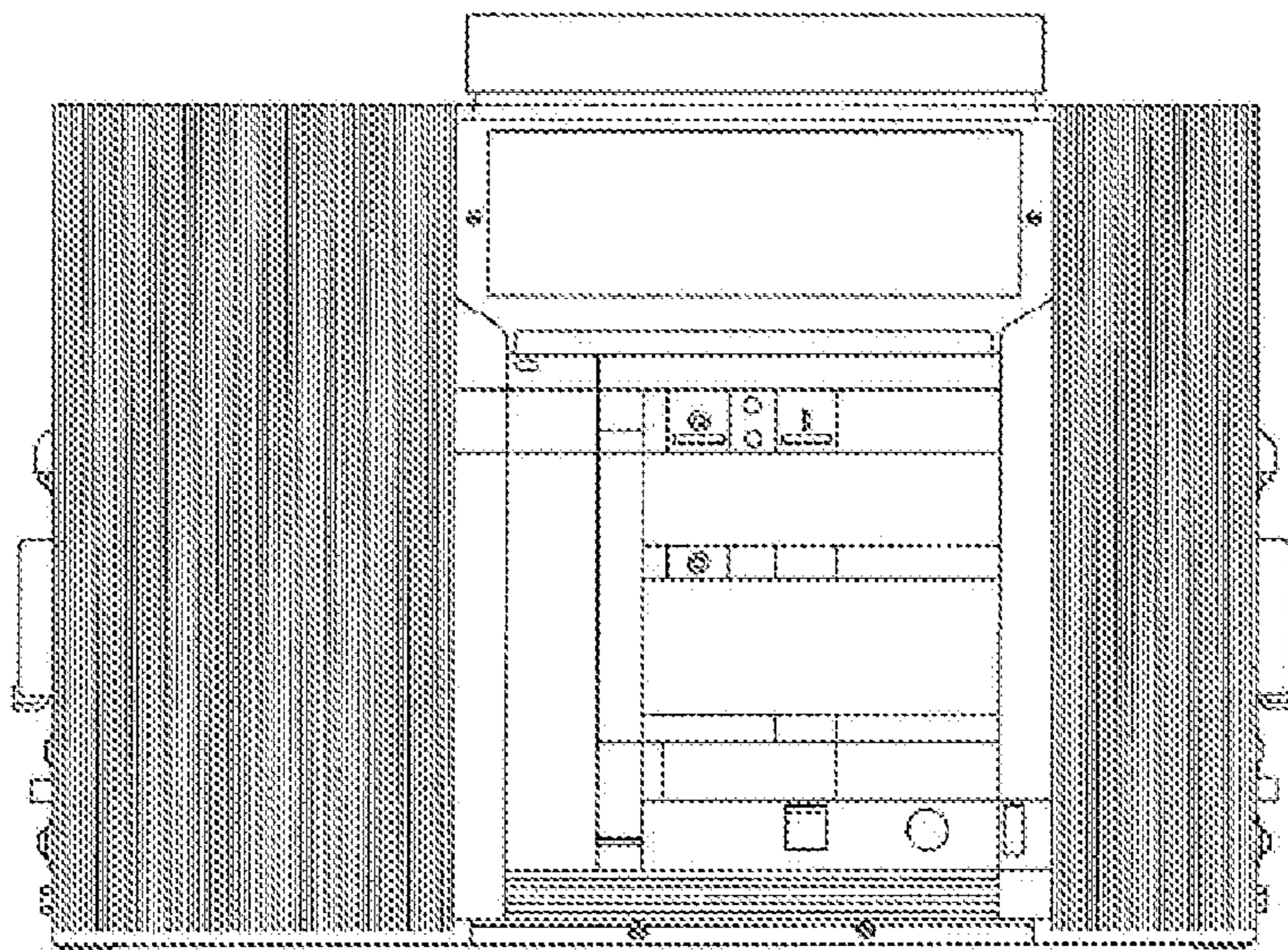


FIG. 2

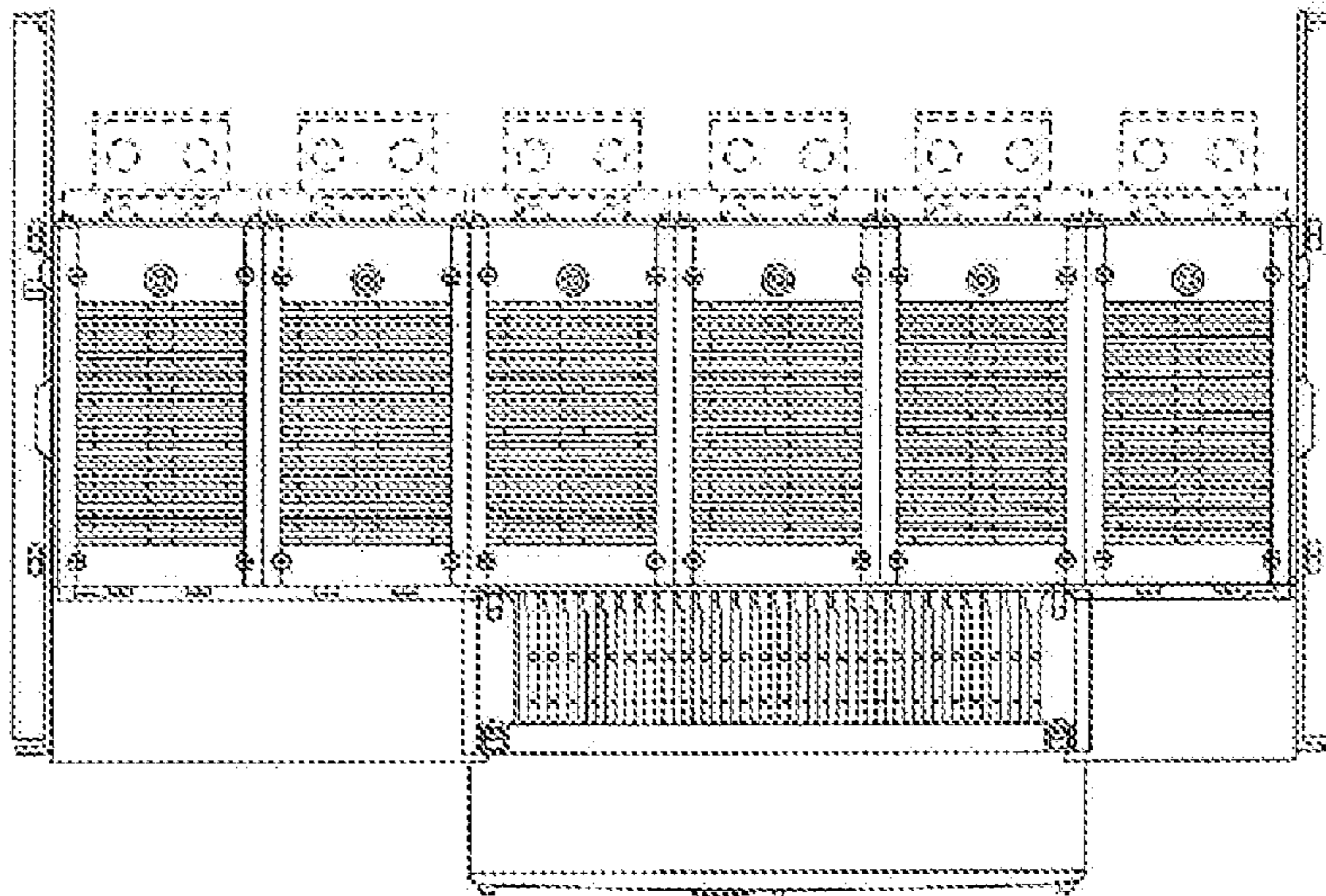


FIG. 3

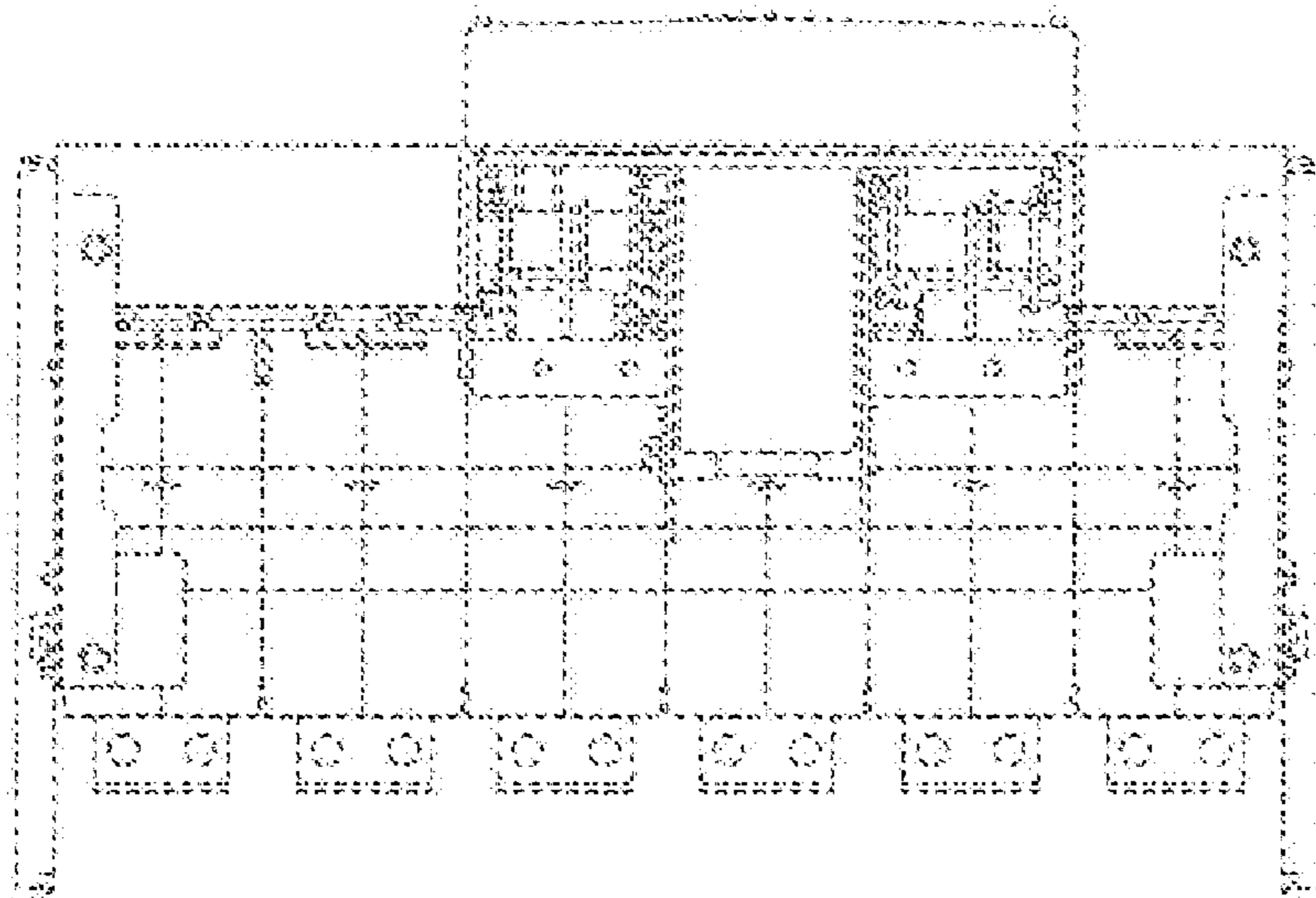


FIG. 4

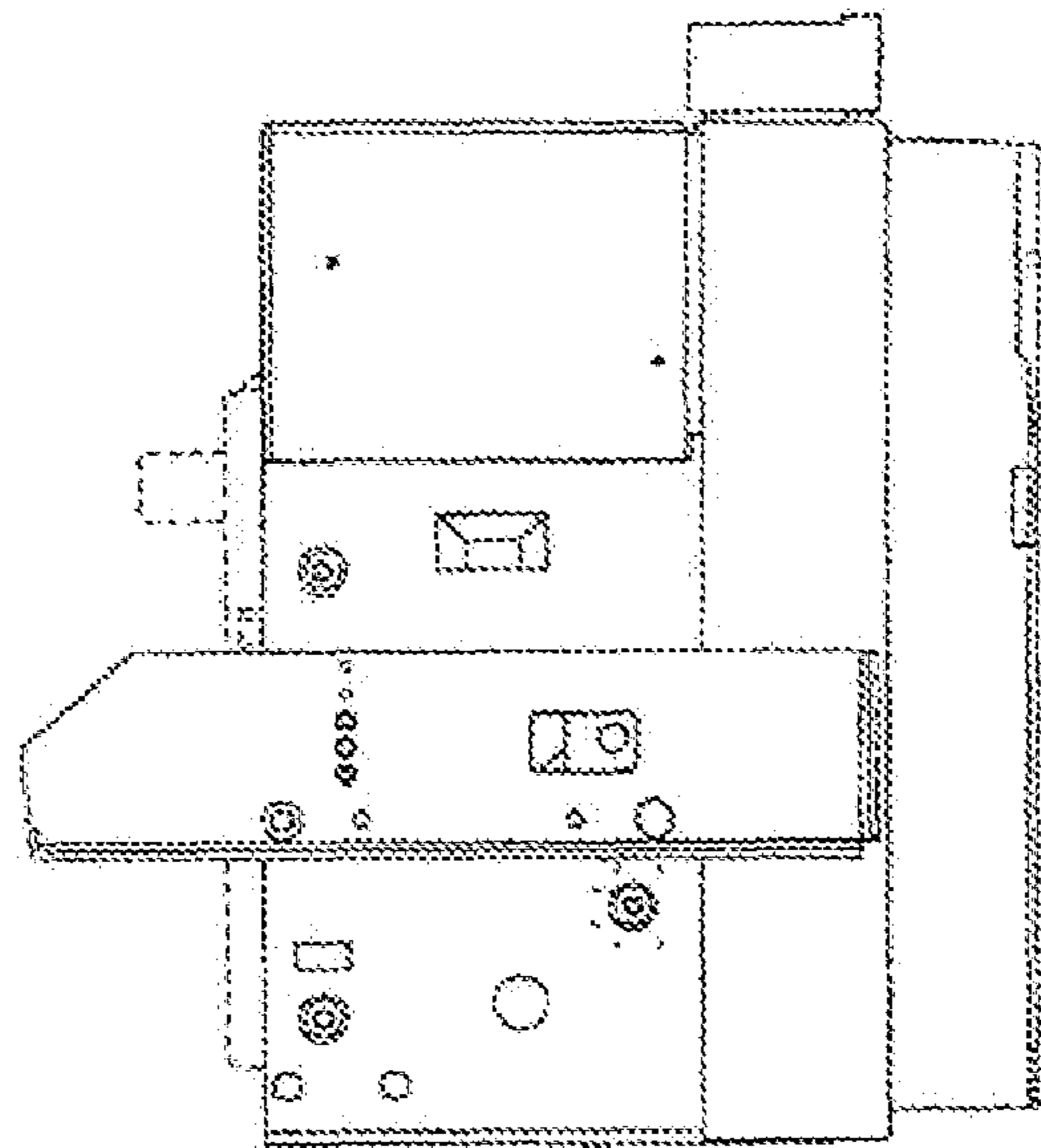


FIG. 5

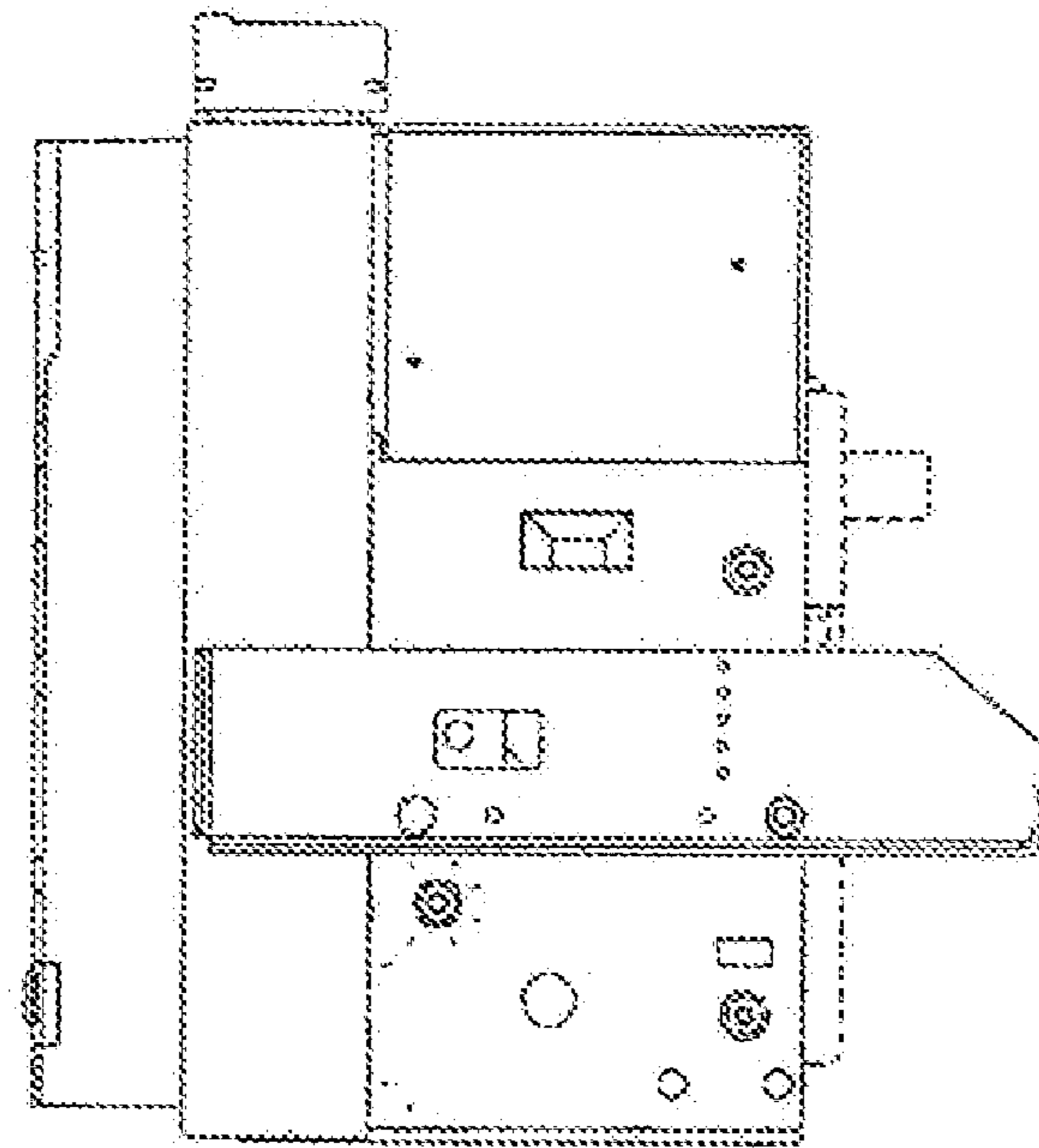


FIG. 6

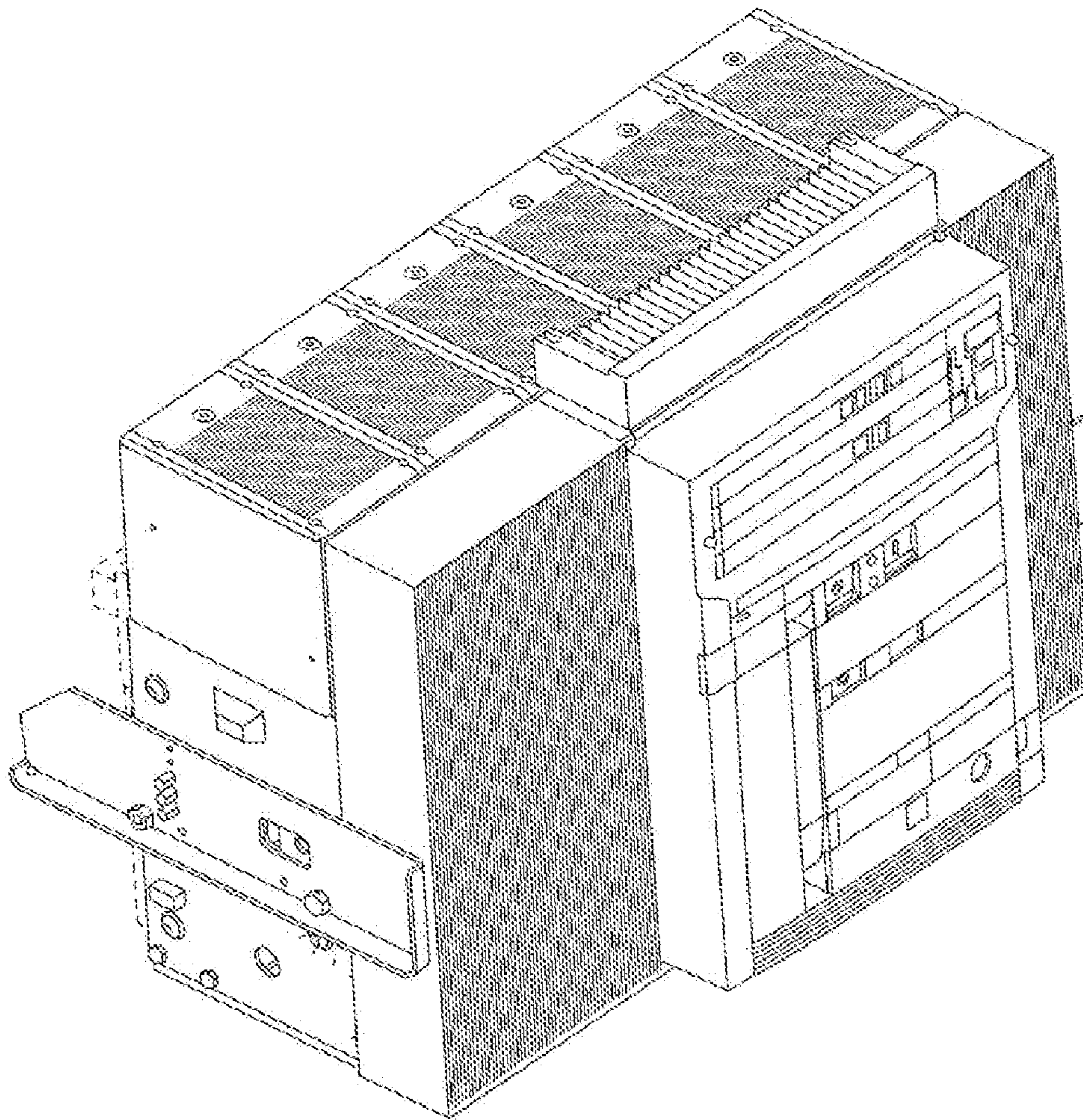


FIG. 7

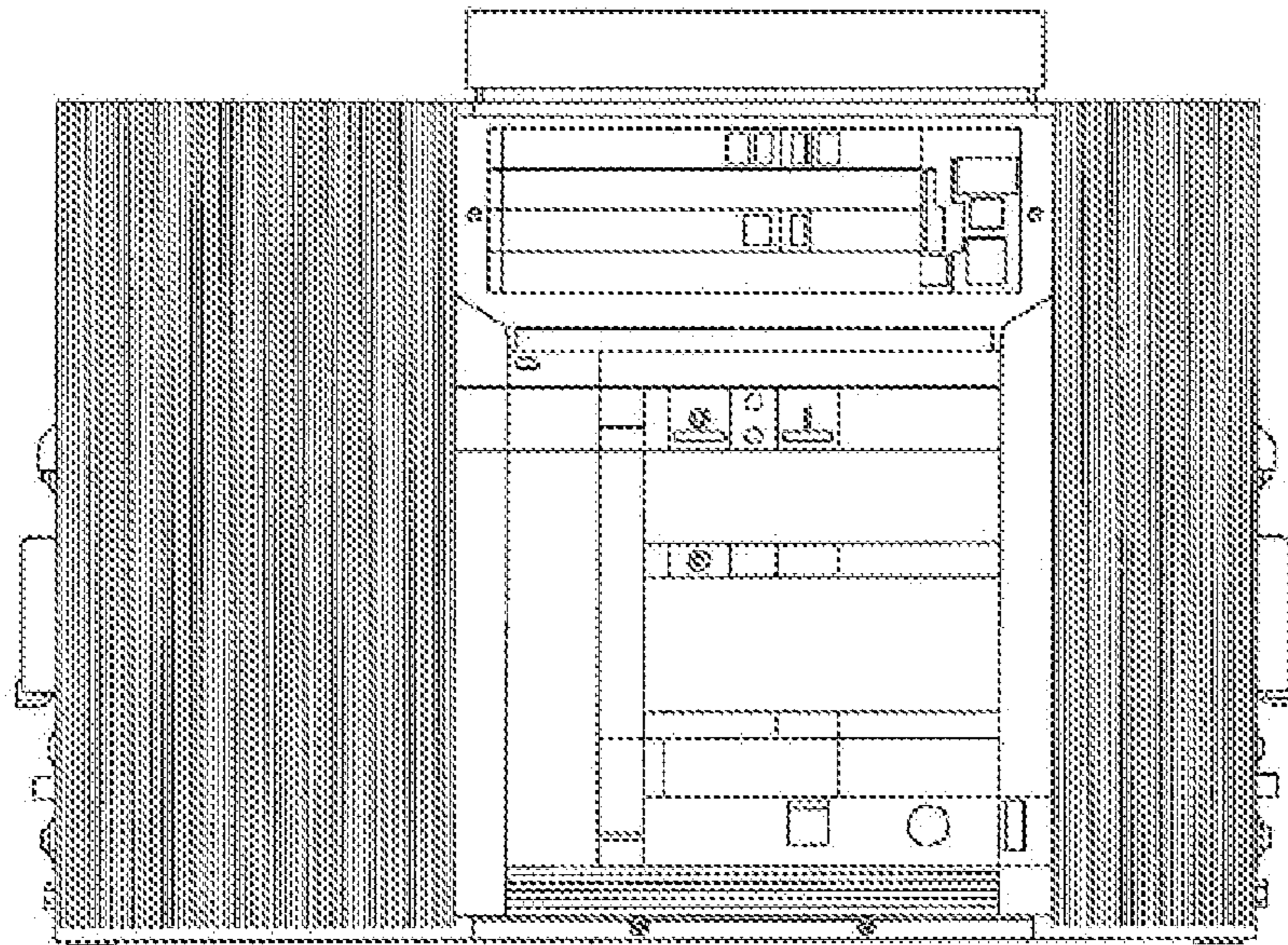


FIG. 8

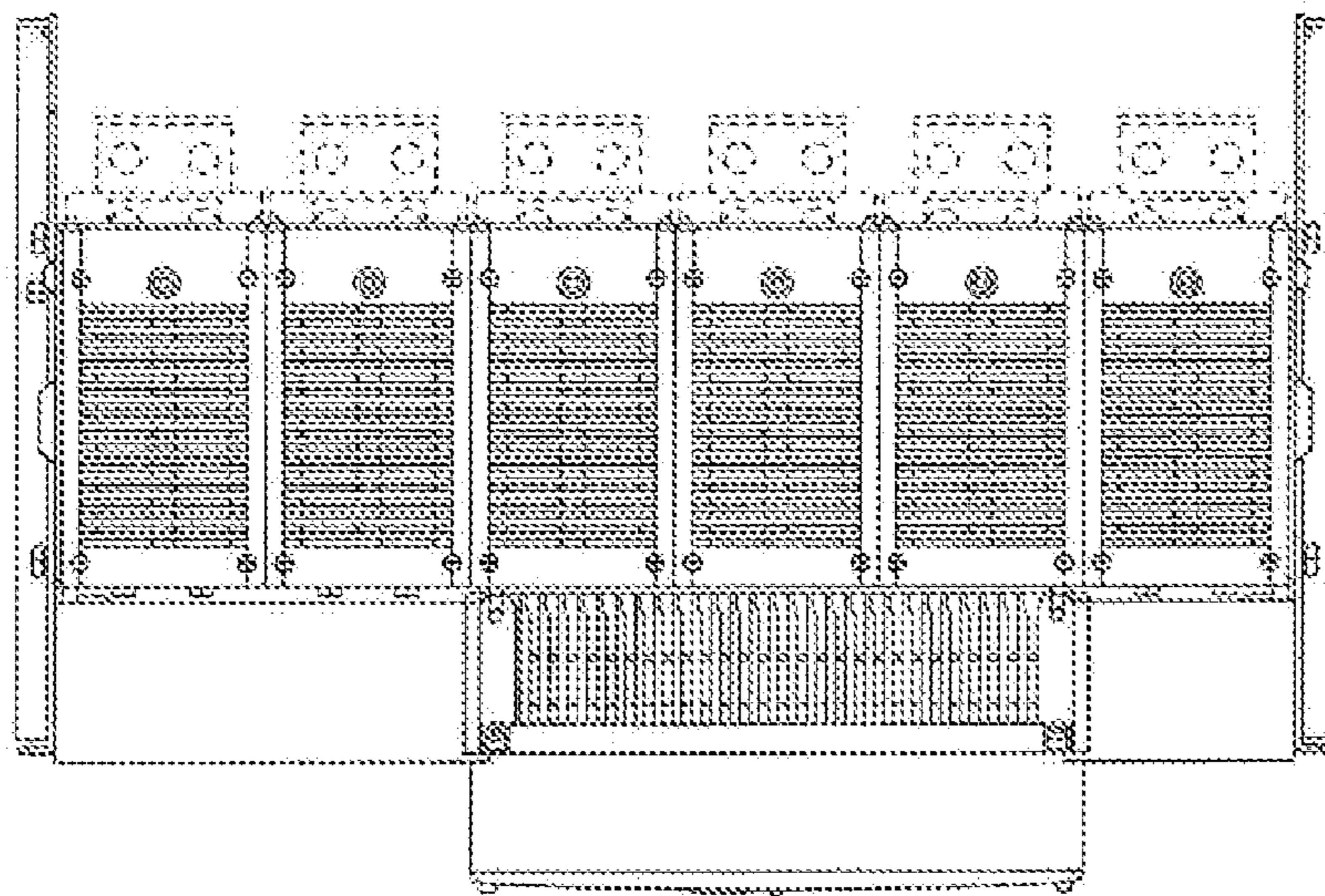


FIG. 9

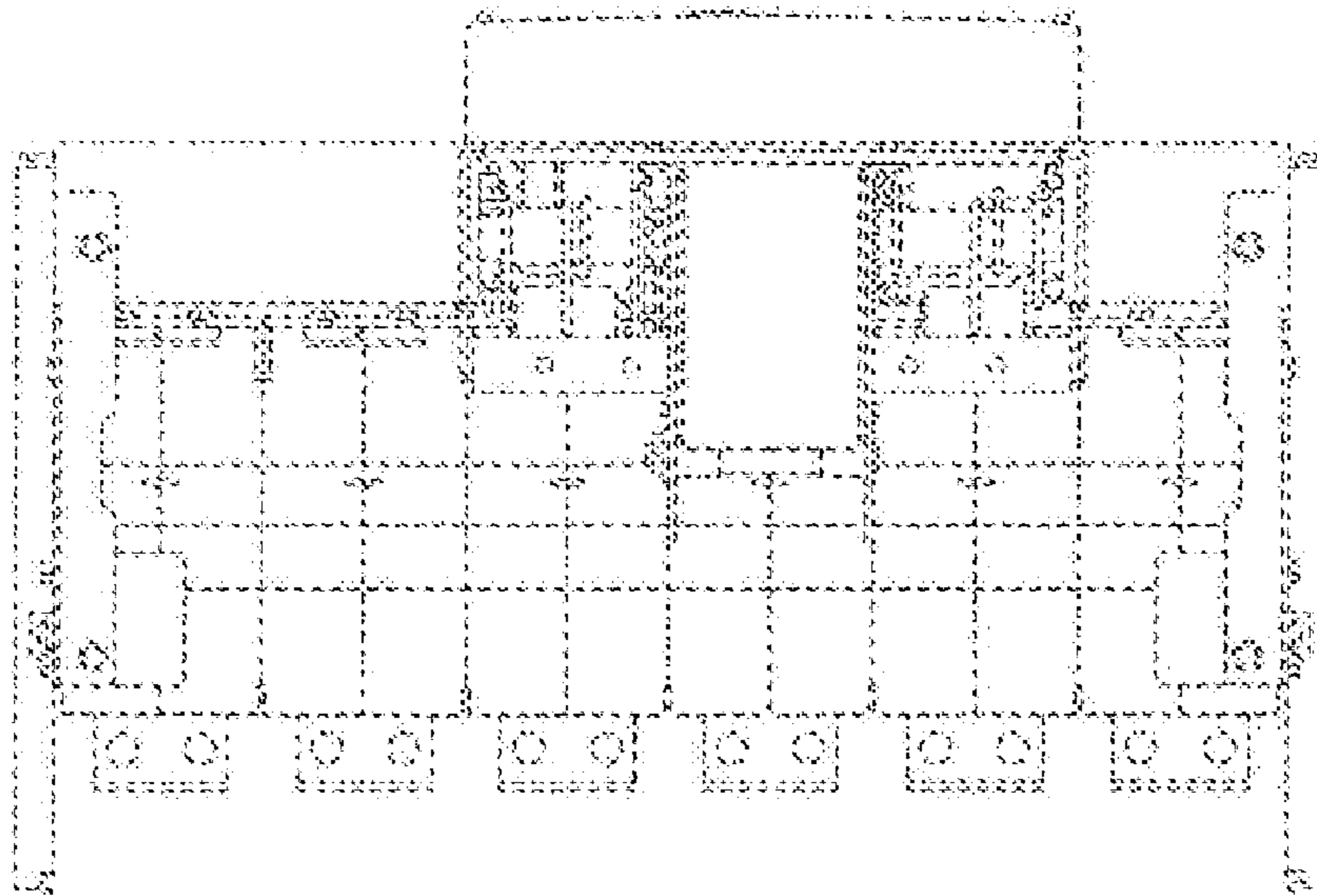


FIG. 10

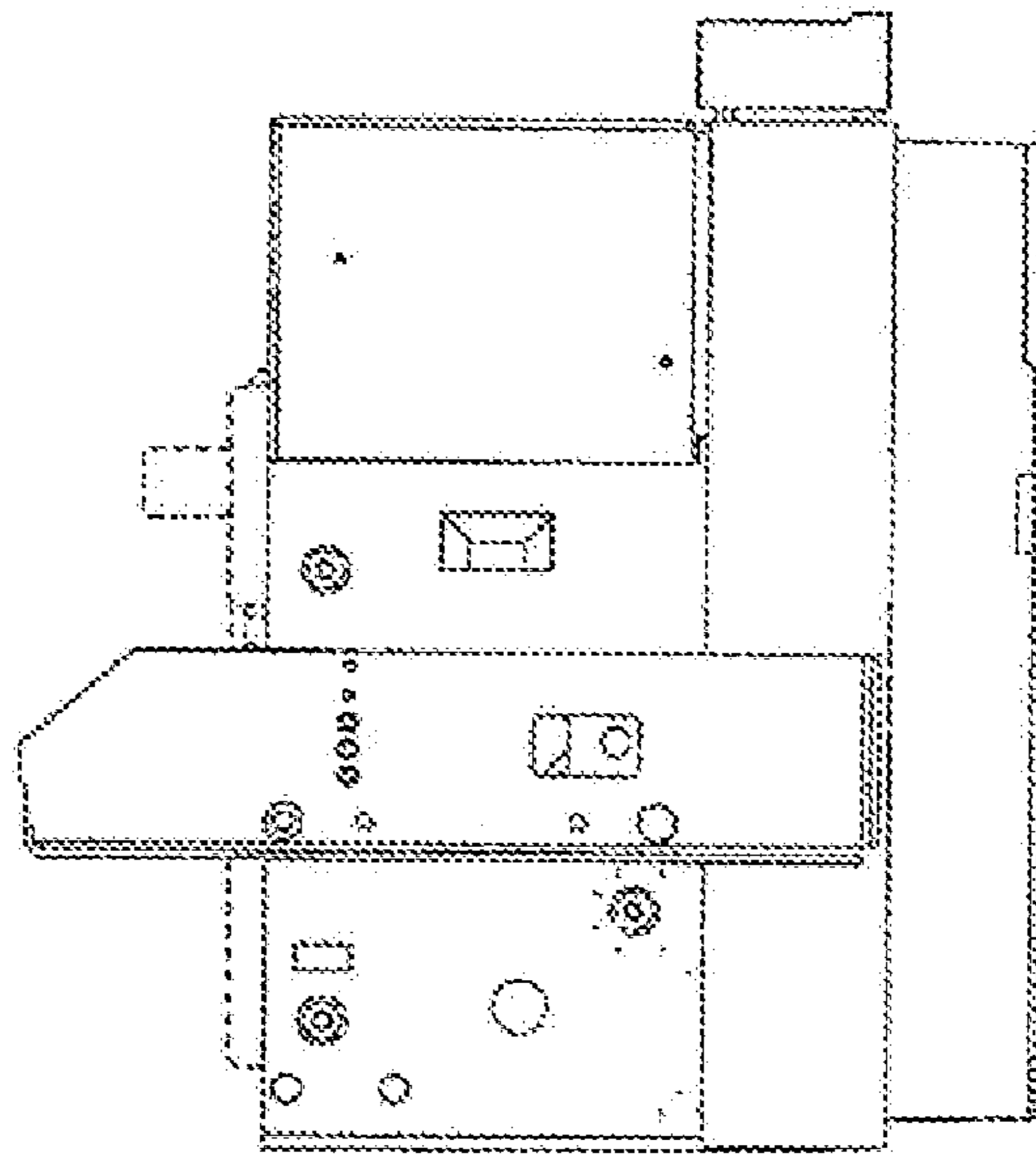


FIG. 11

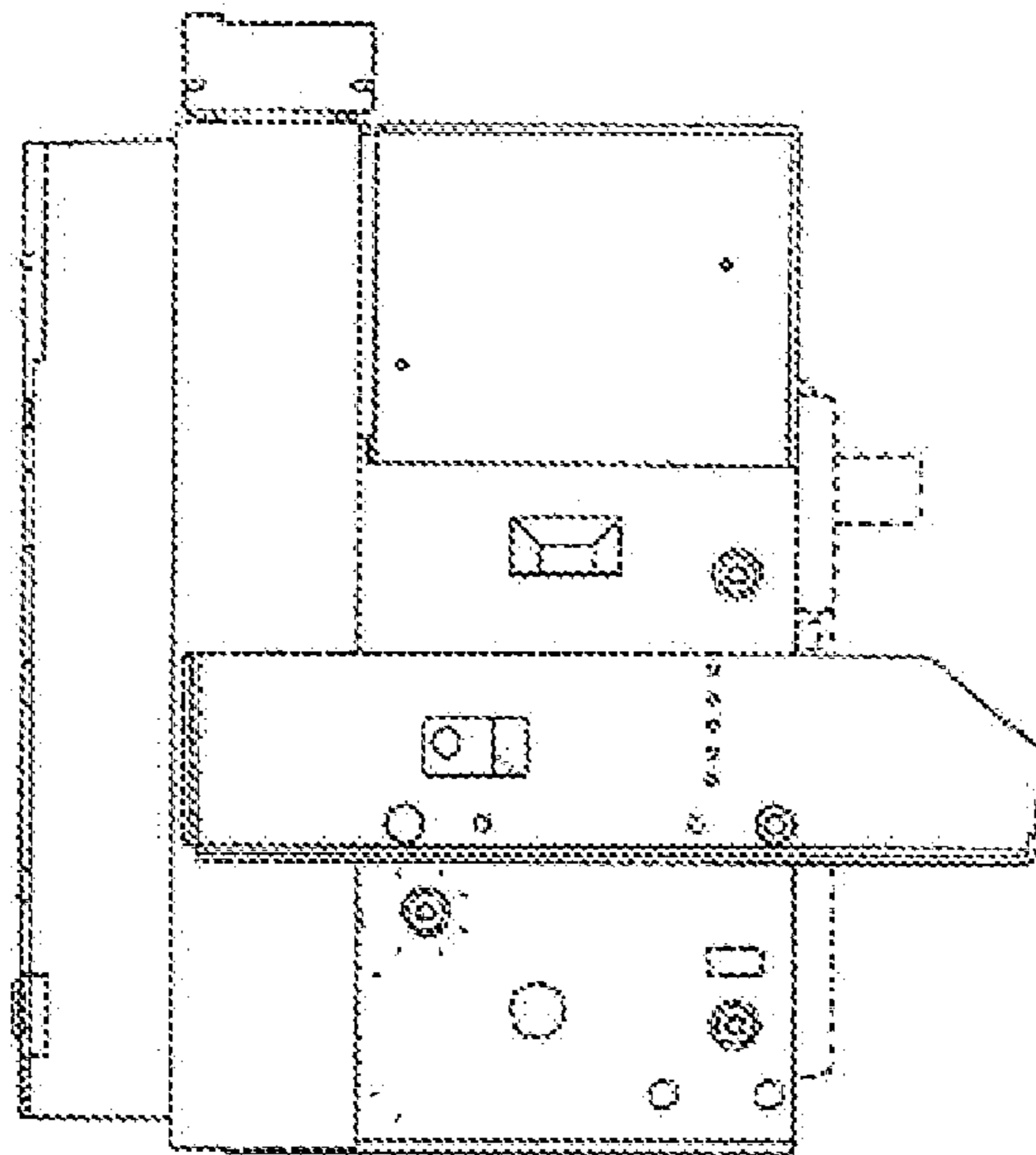


FIG. 12

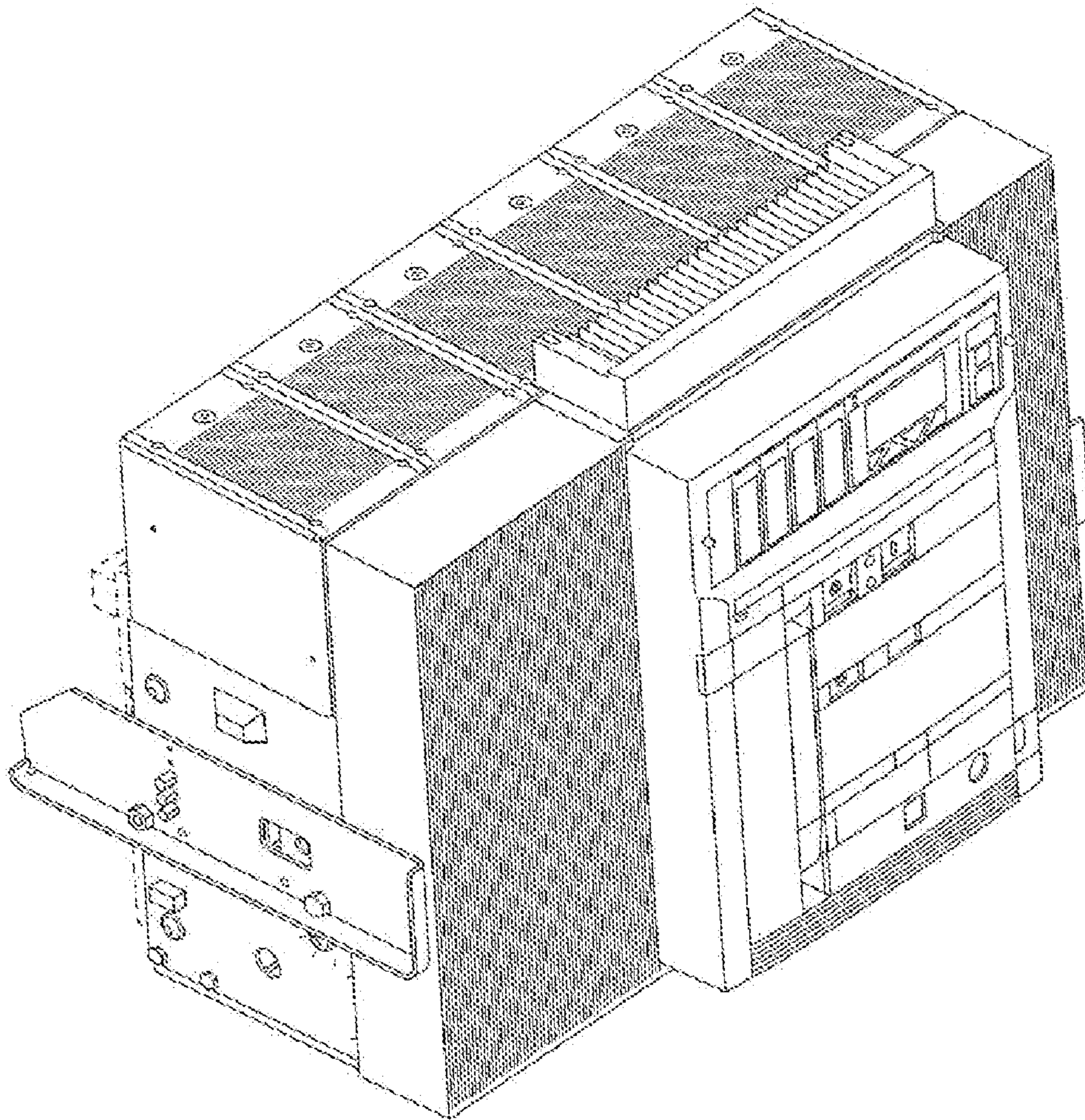


FIG. 13

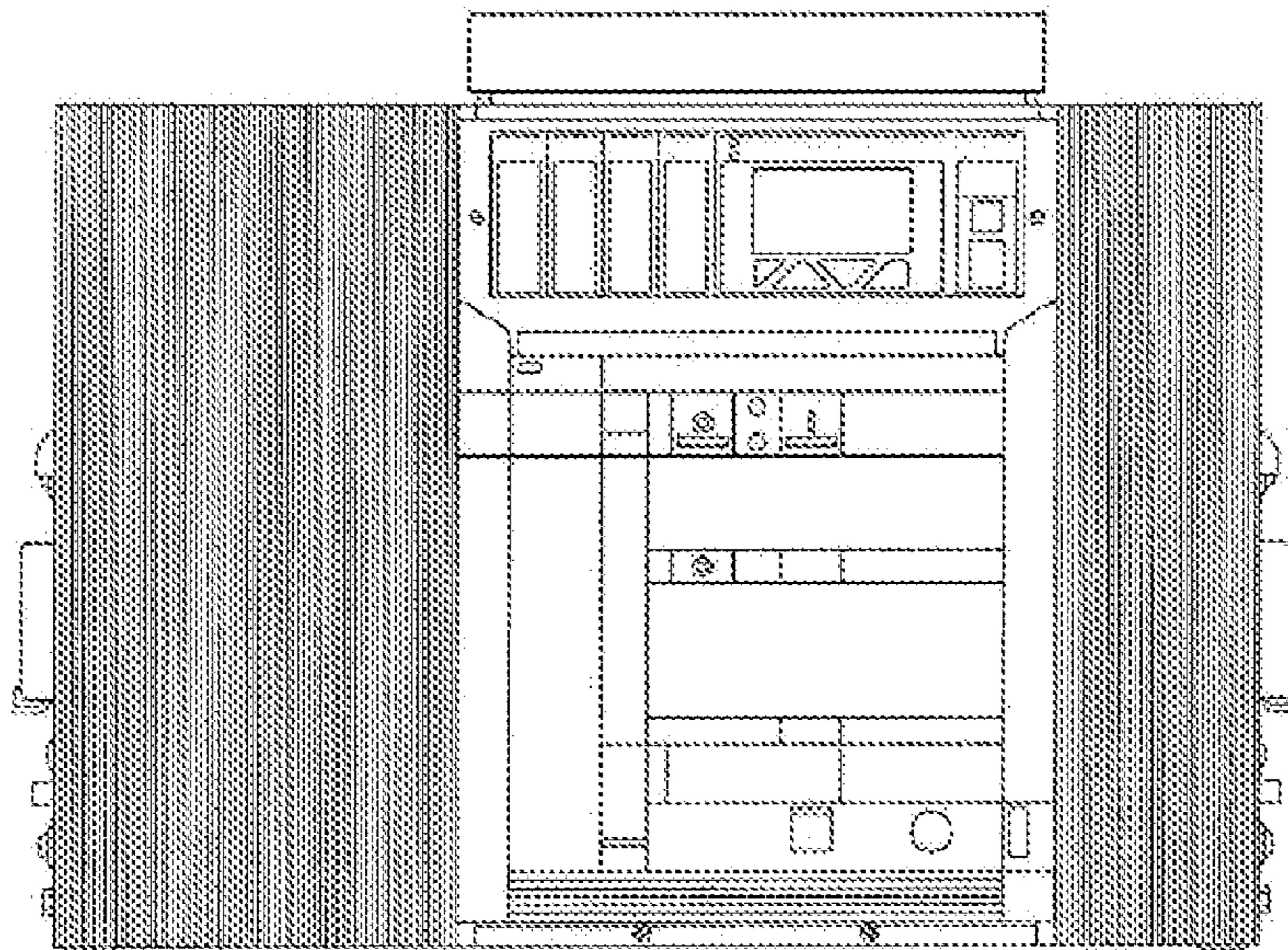


FIG. 14

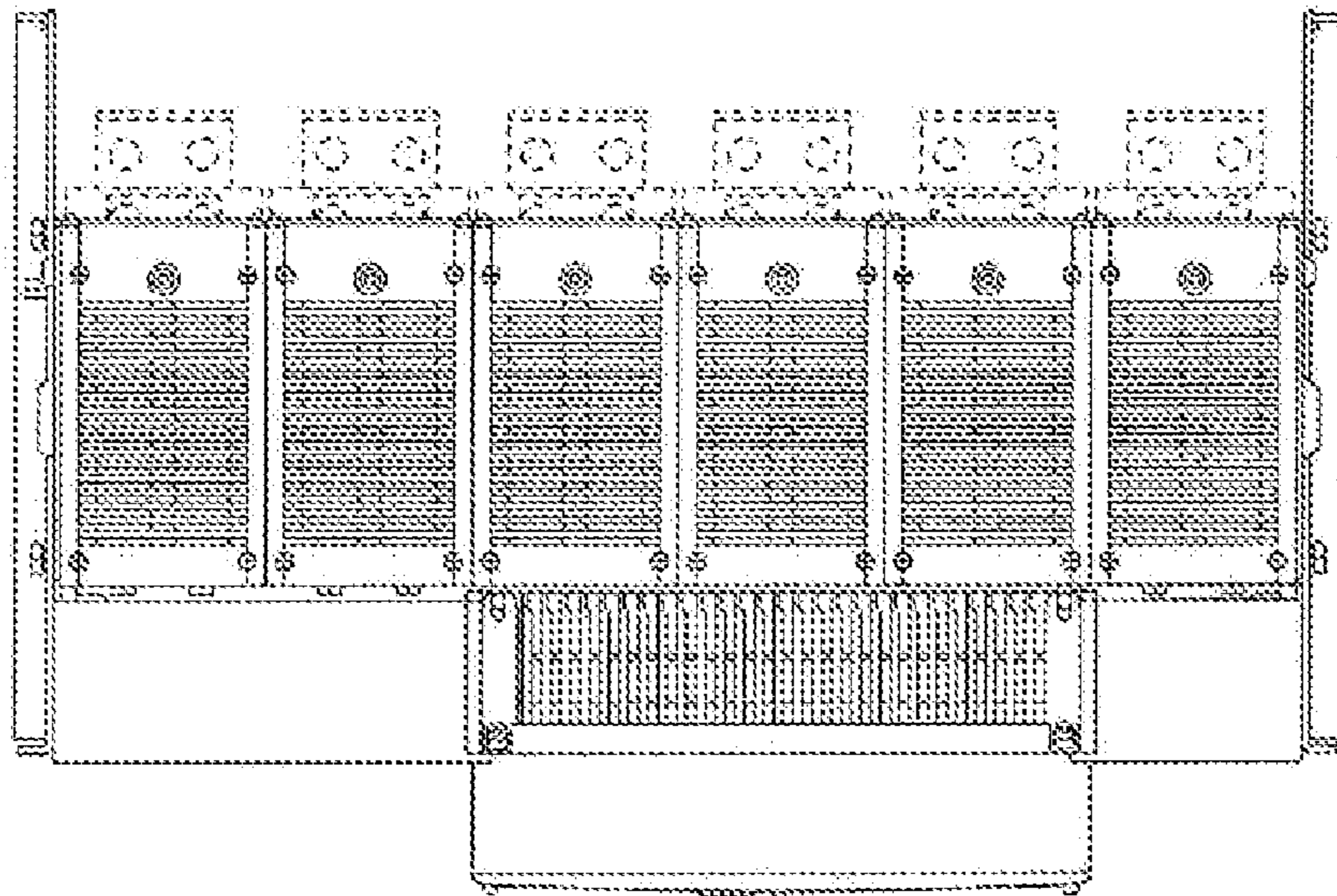


FIG. 15

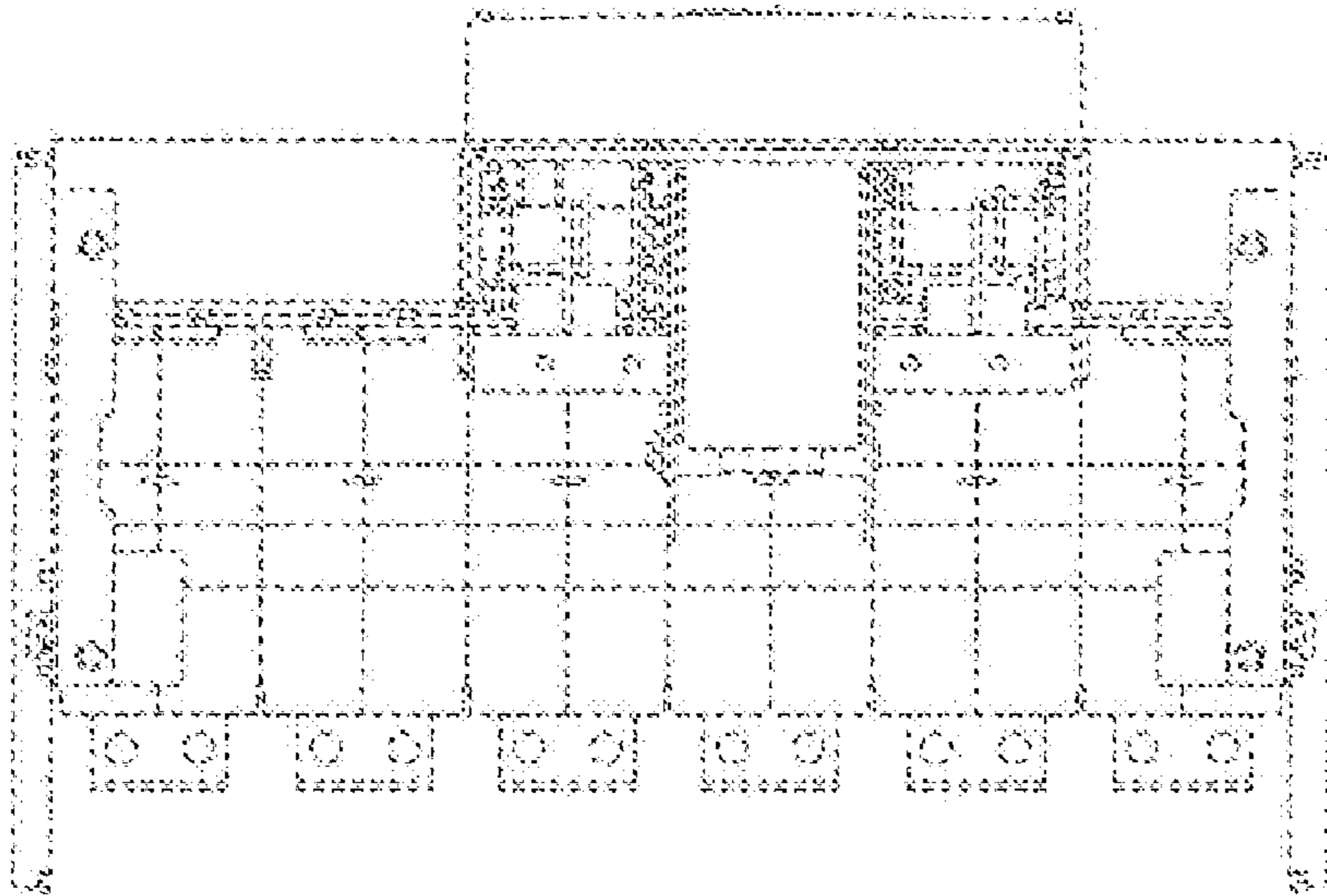


FIG. 16

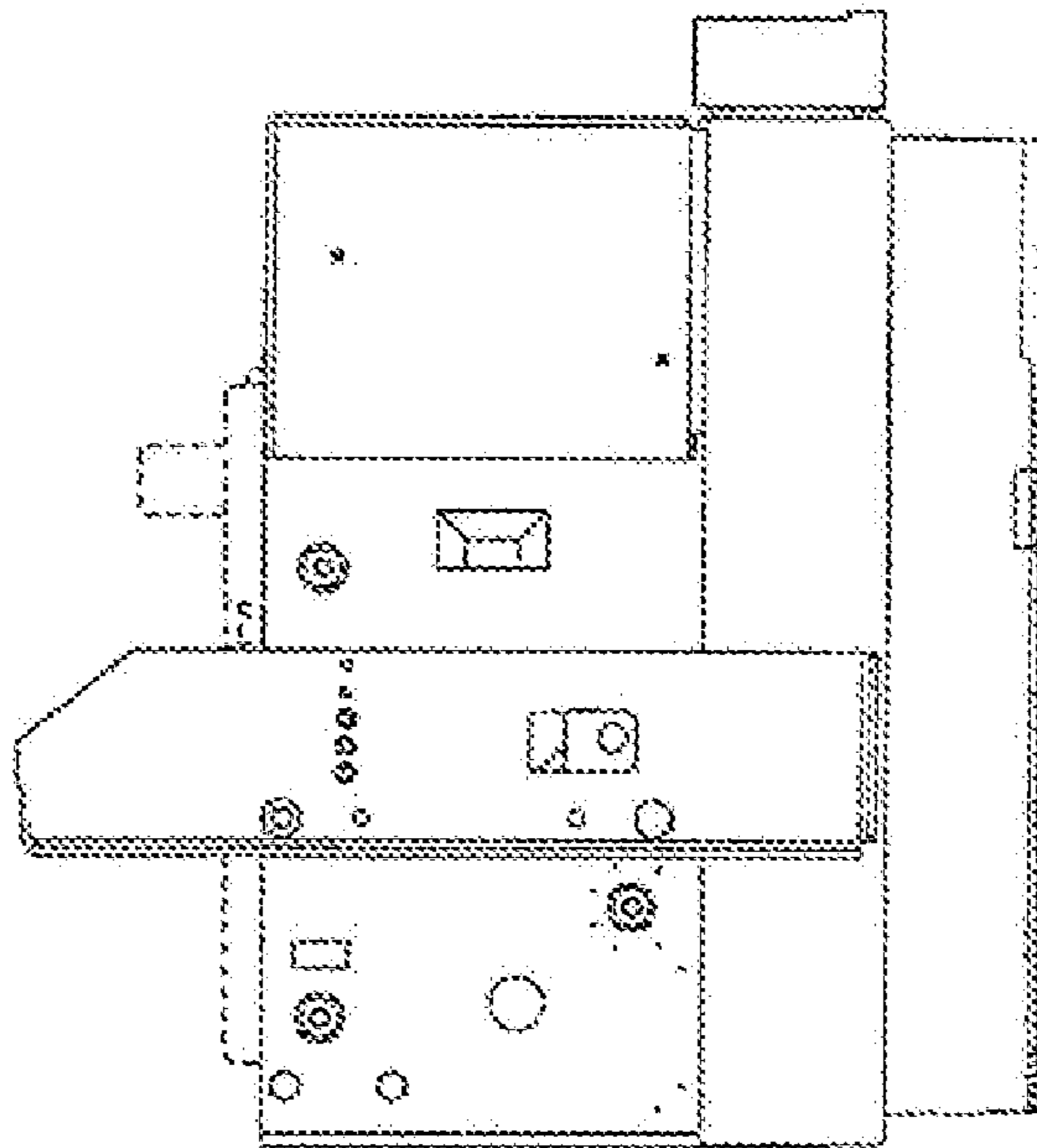


FIG. 17

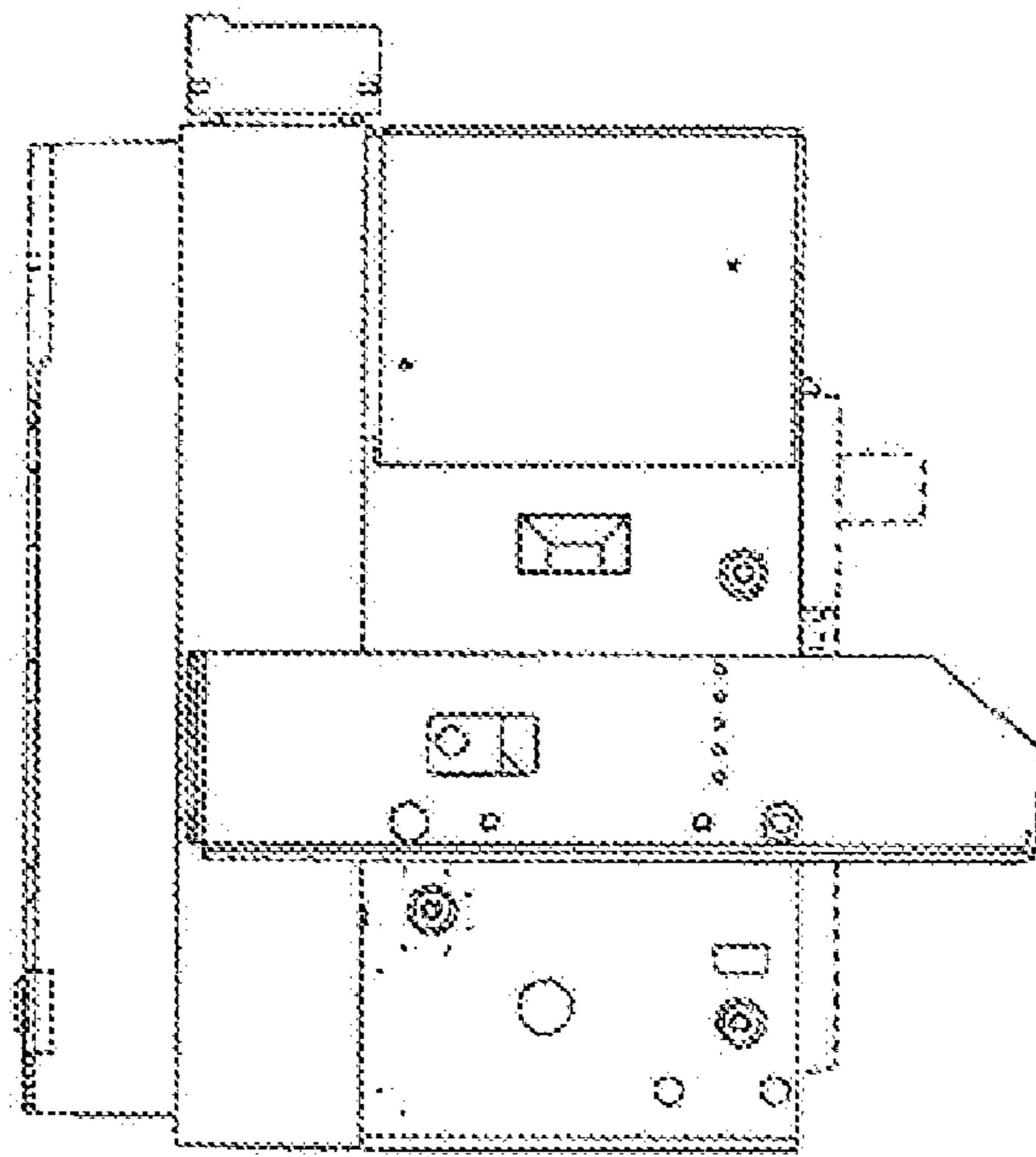


FIG. 18

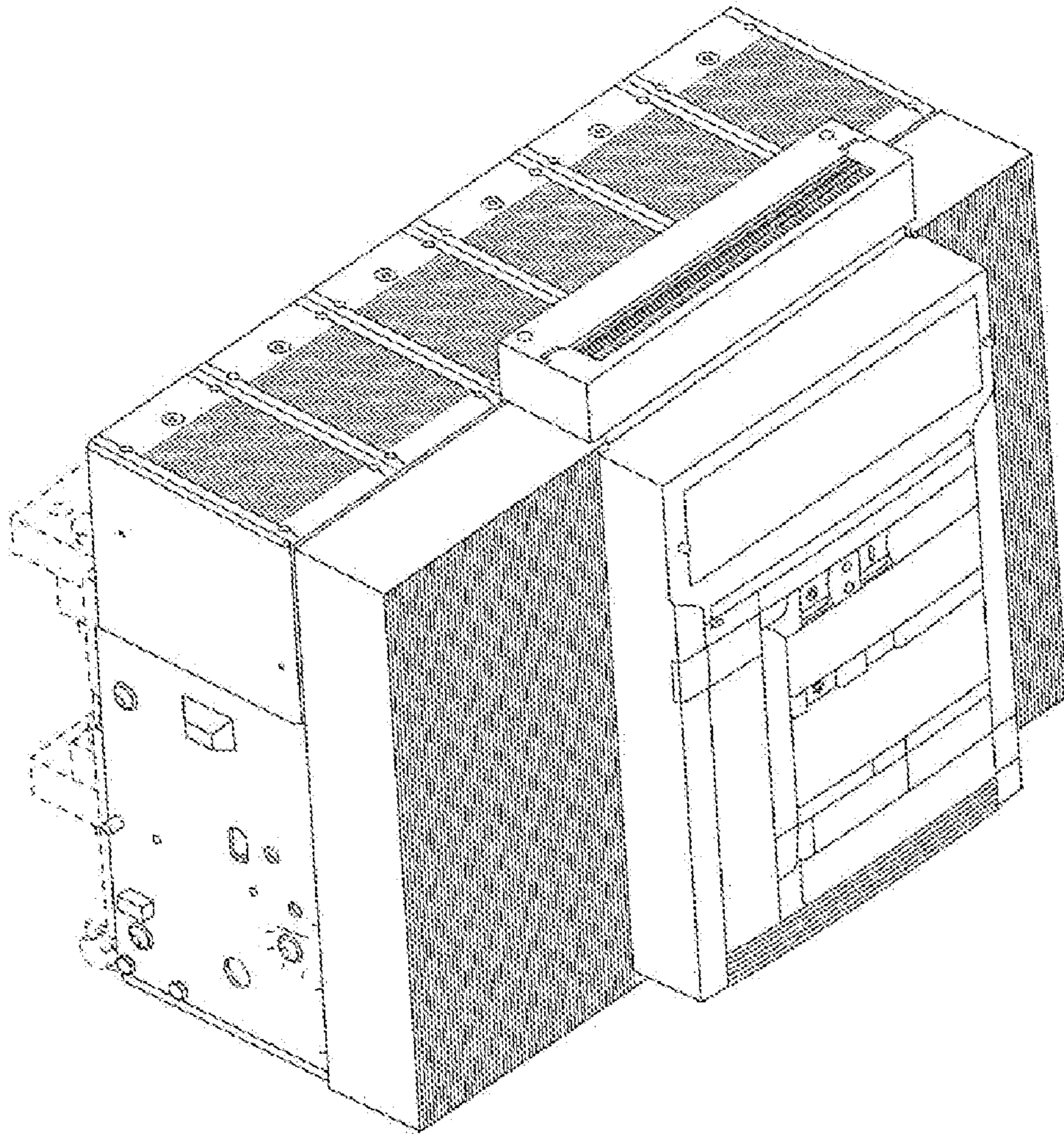


FIG. 19

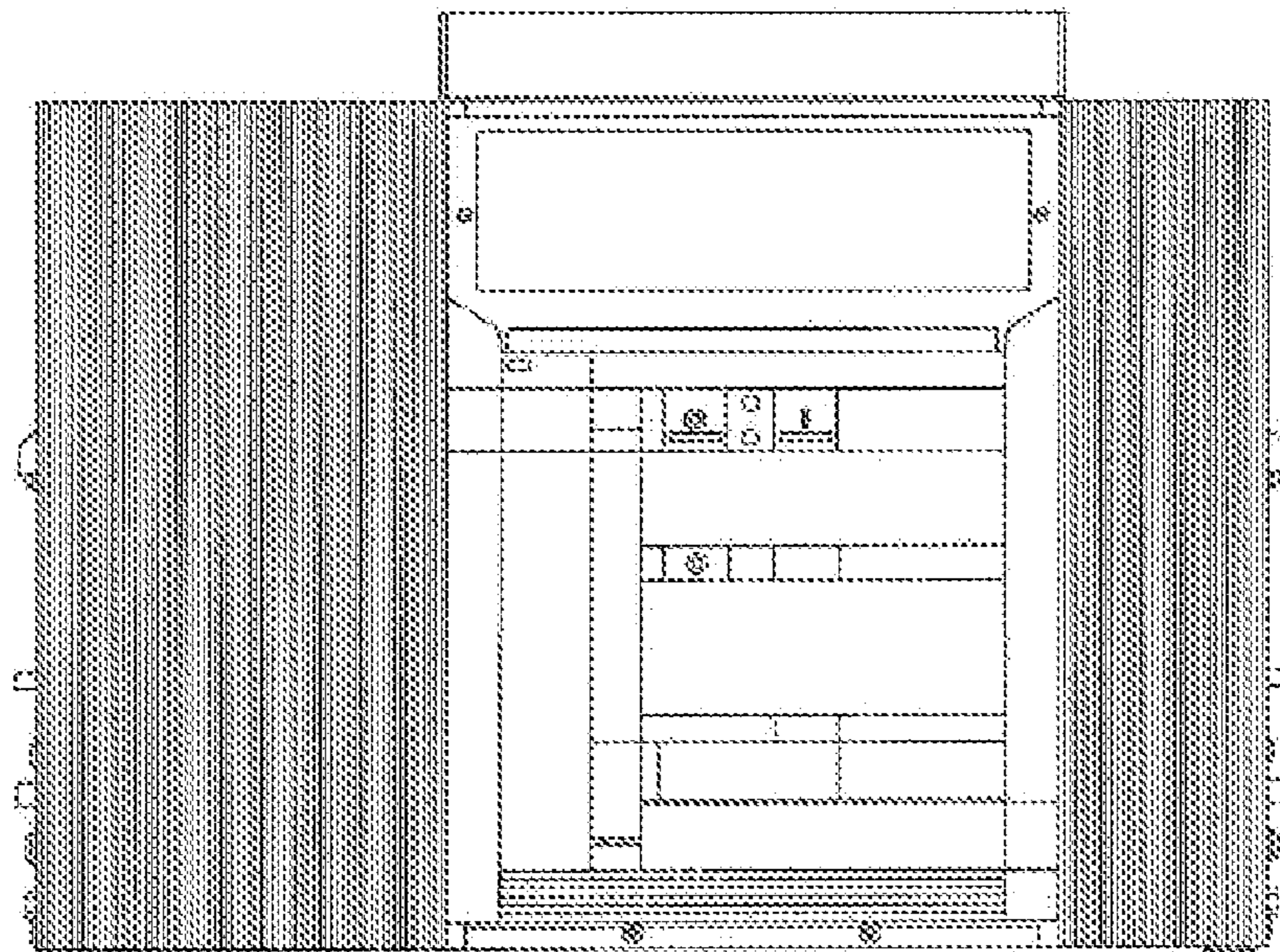


FIG. 20

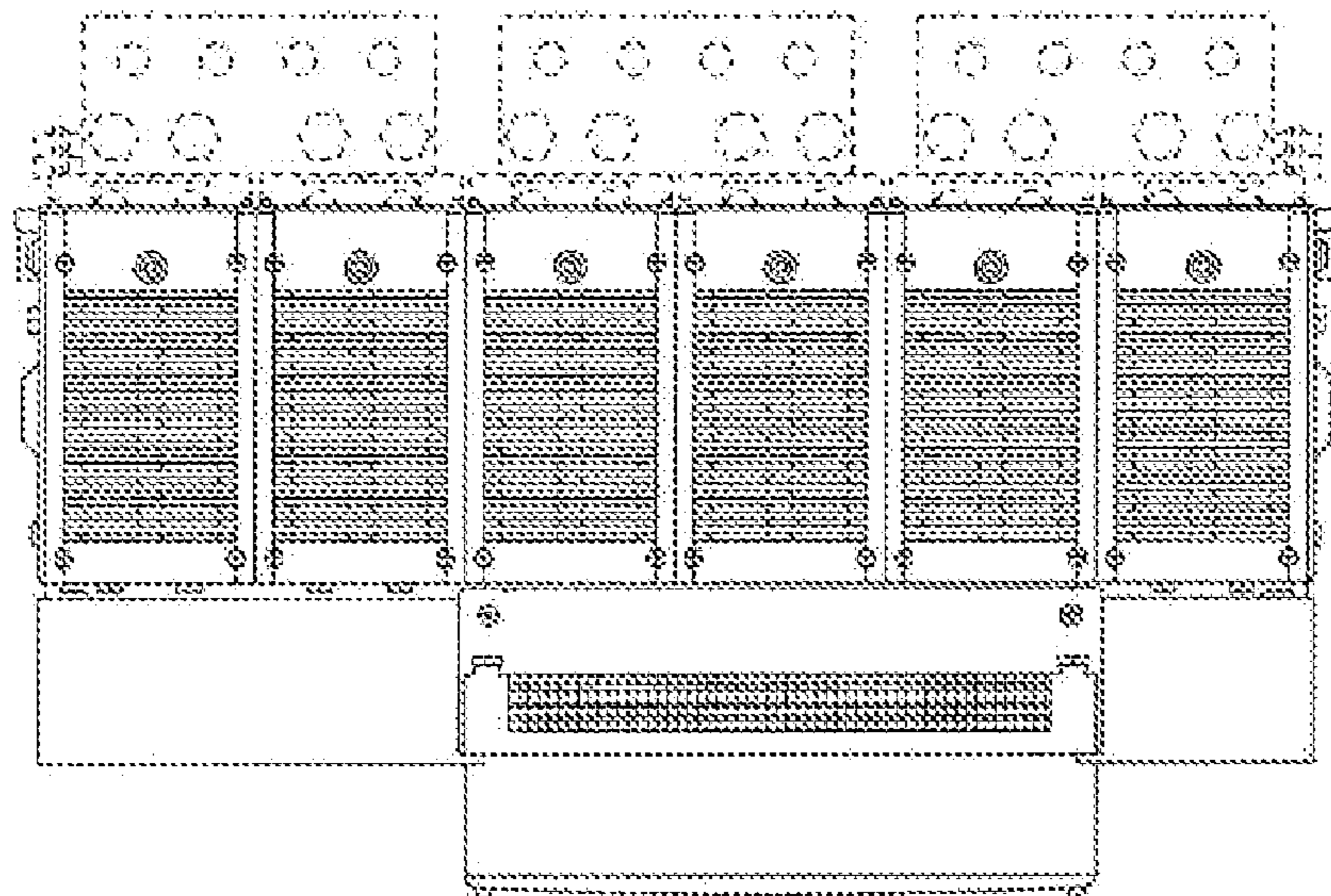


FIG. 21

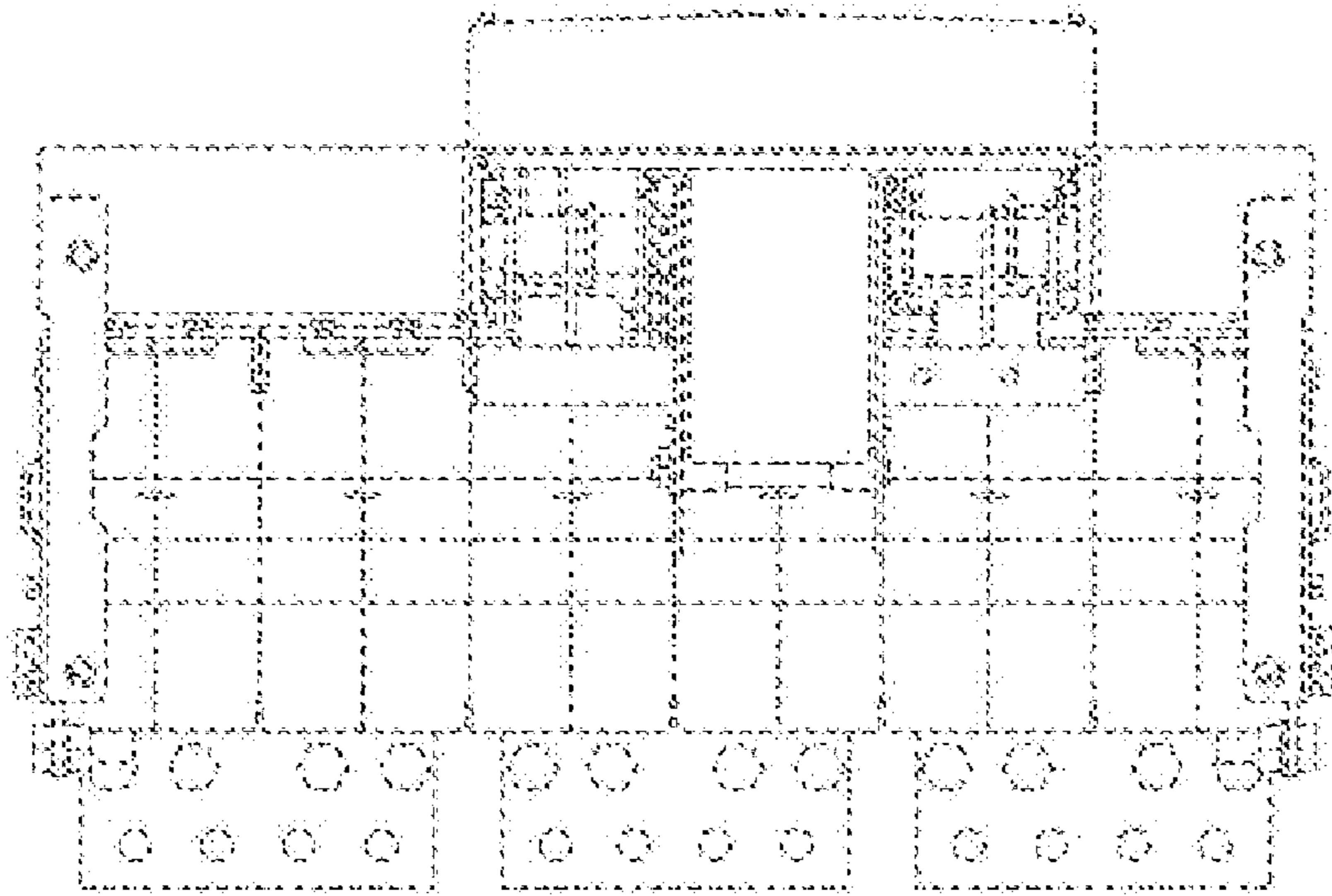


FIG. 22

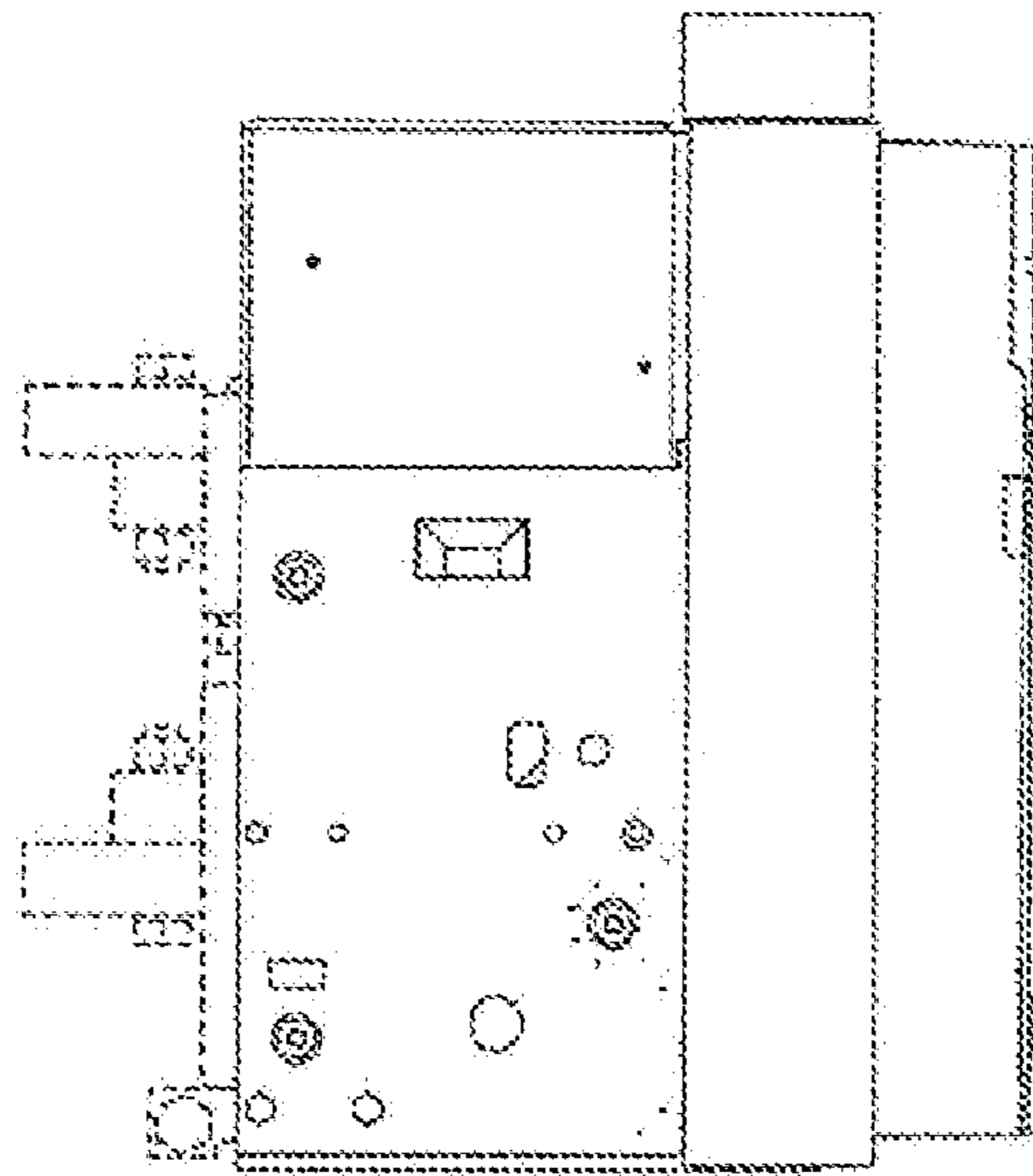


FIG. 23

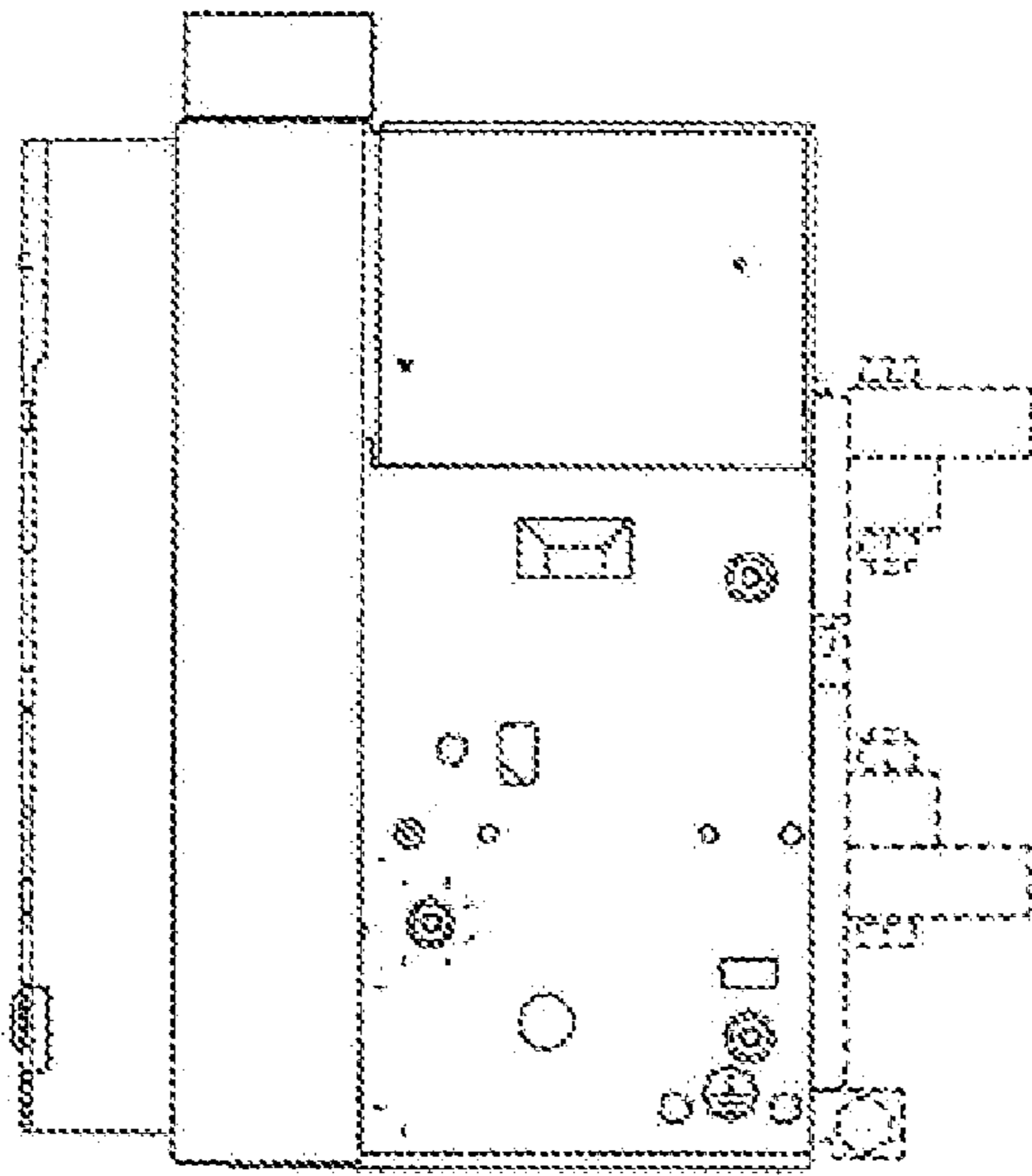


FIG. 24

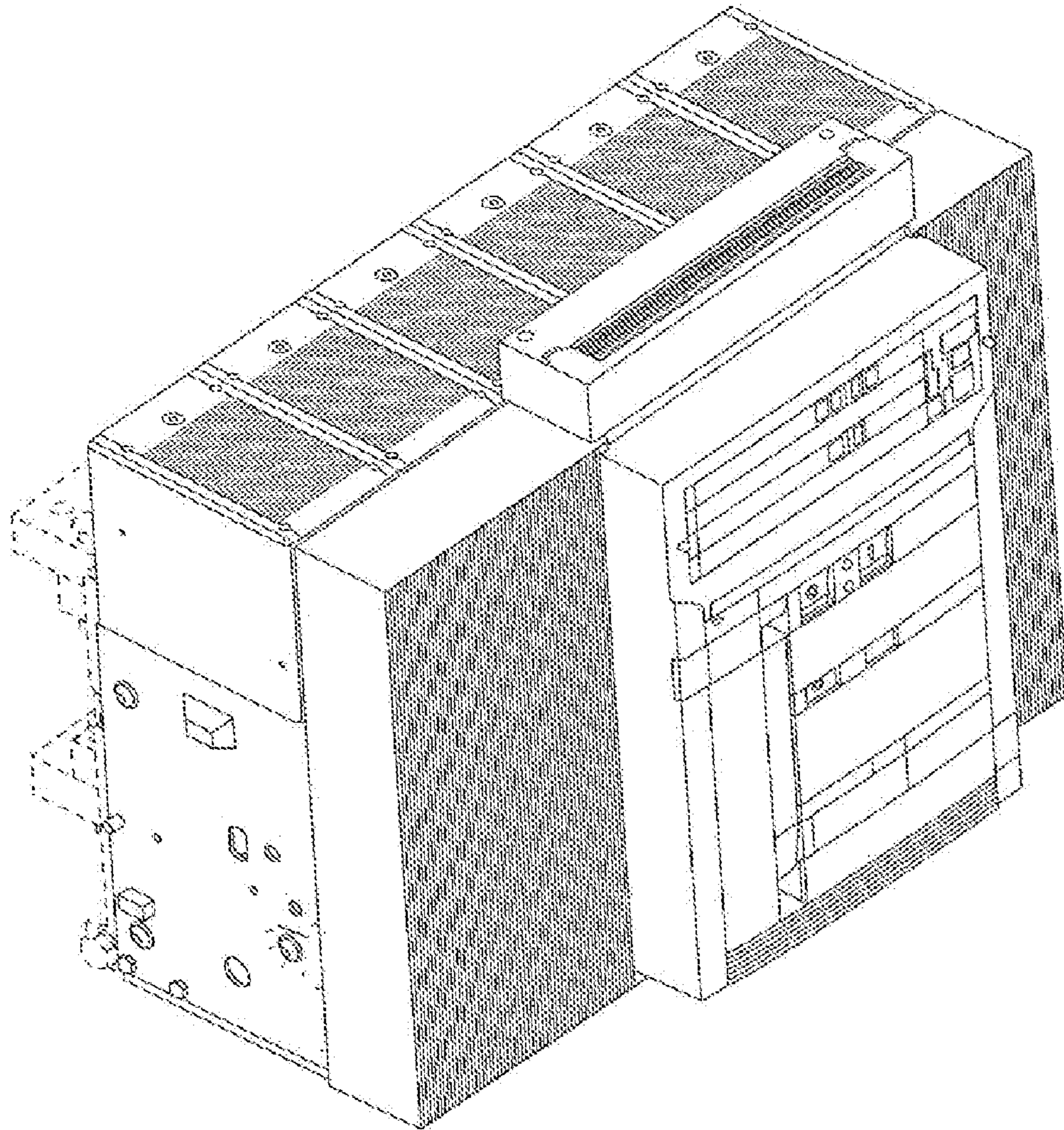


FIG. 25

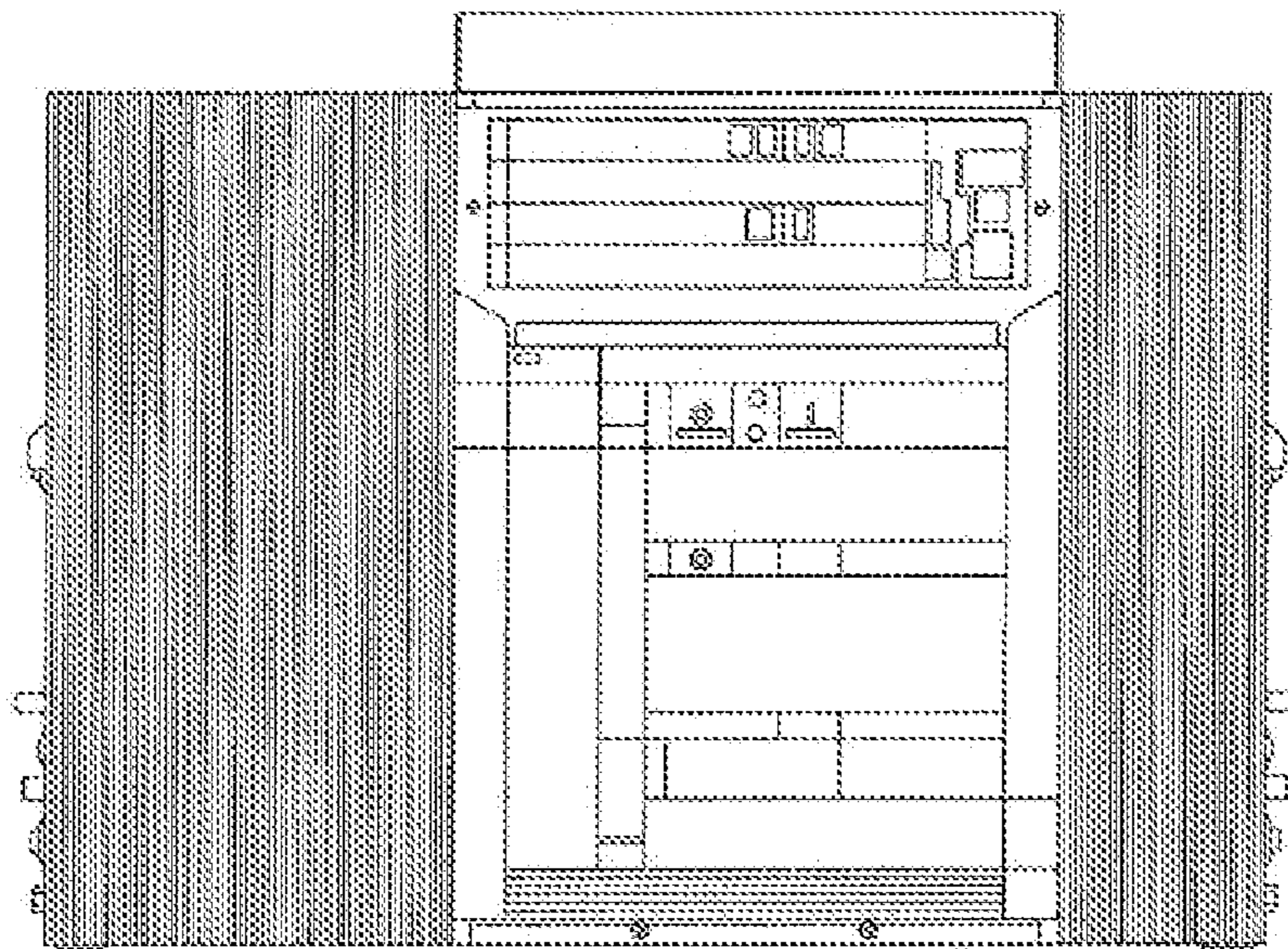


FIG. 26

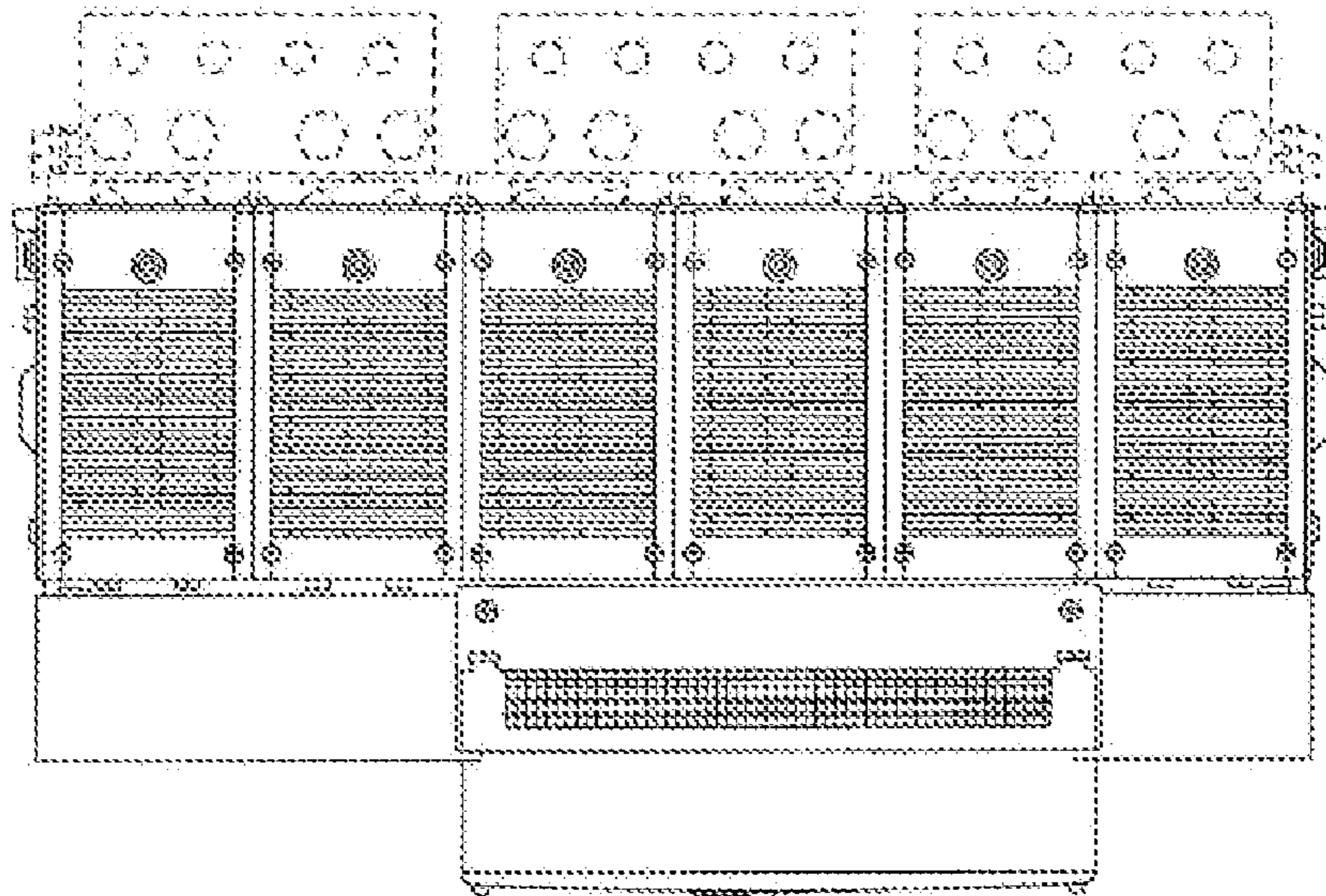


FIG. 27

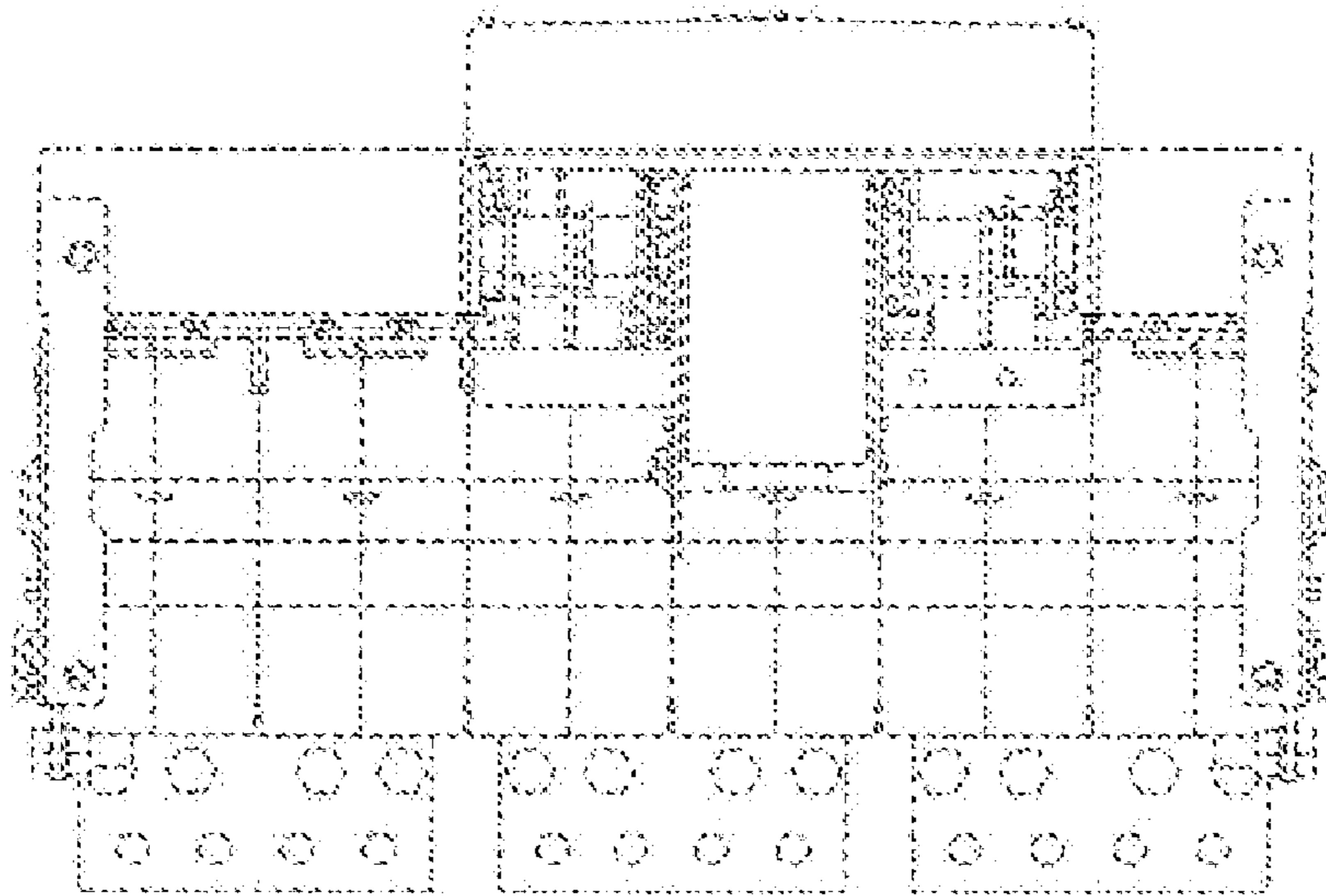


FIG. 28

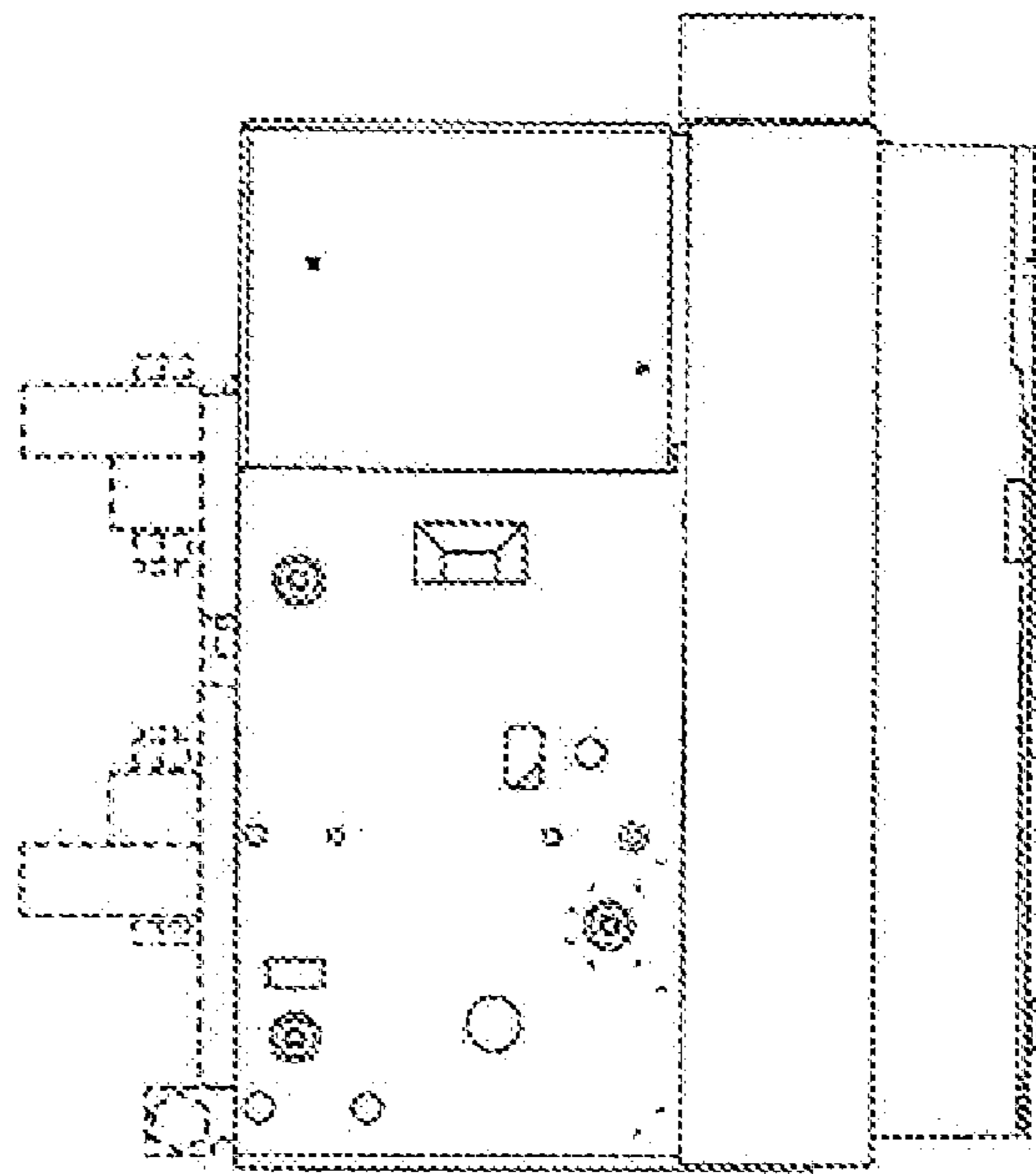


FIG. 29

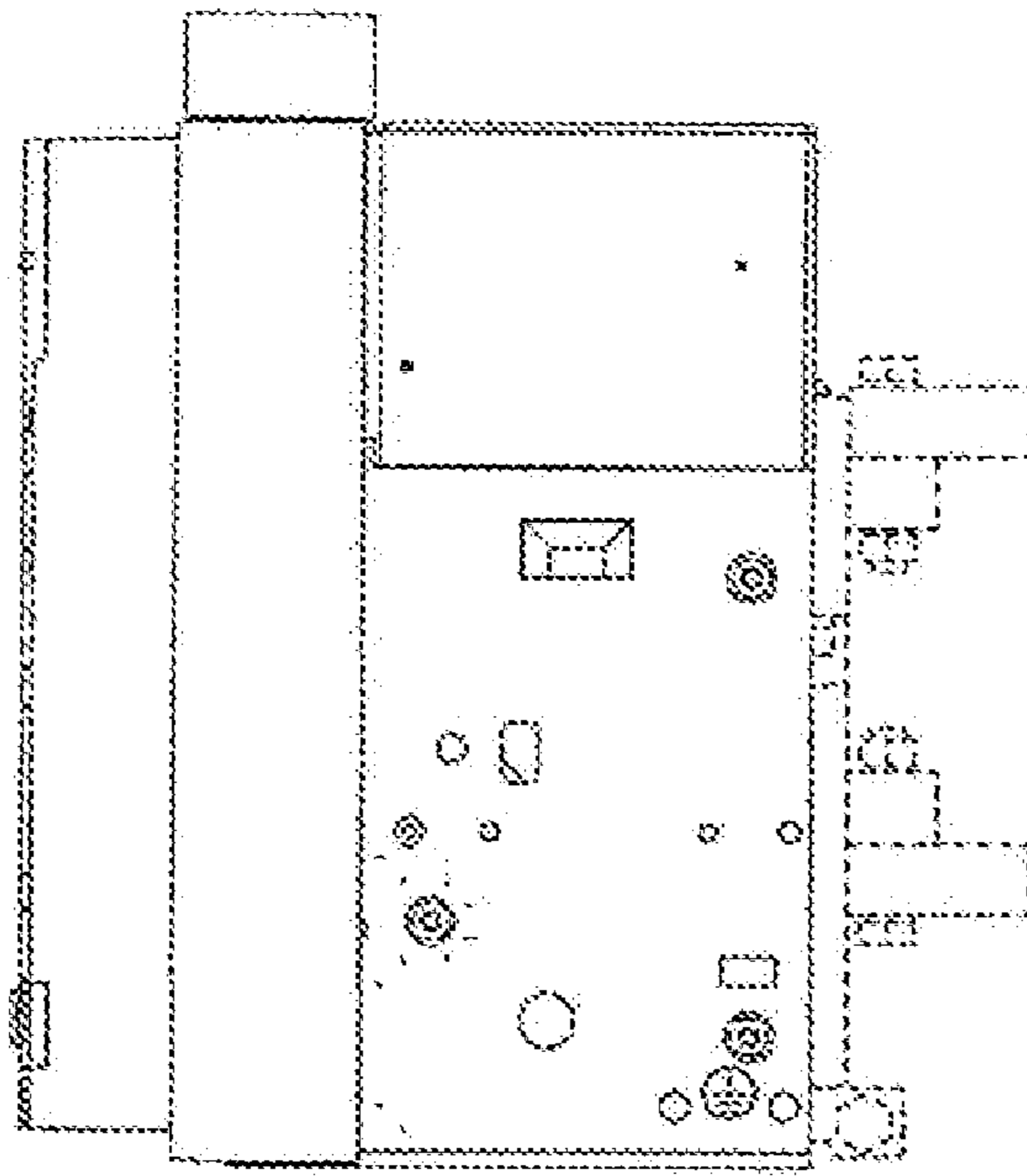


FIG. 30

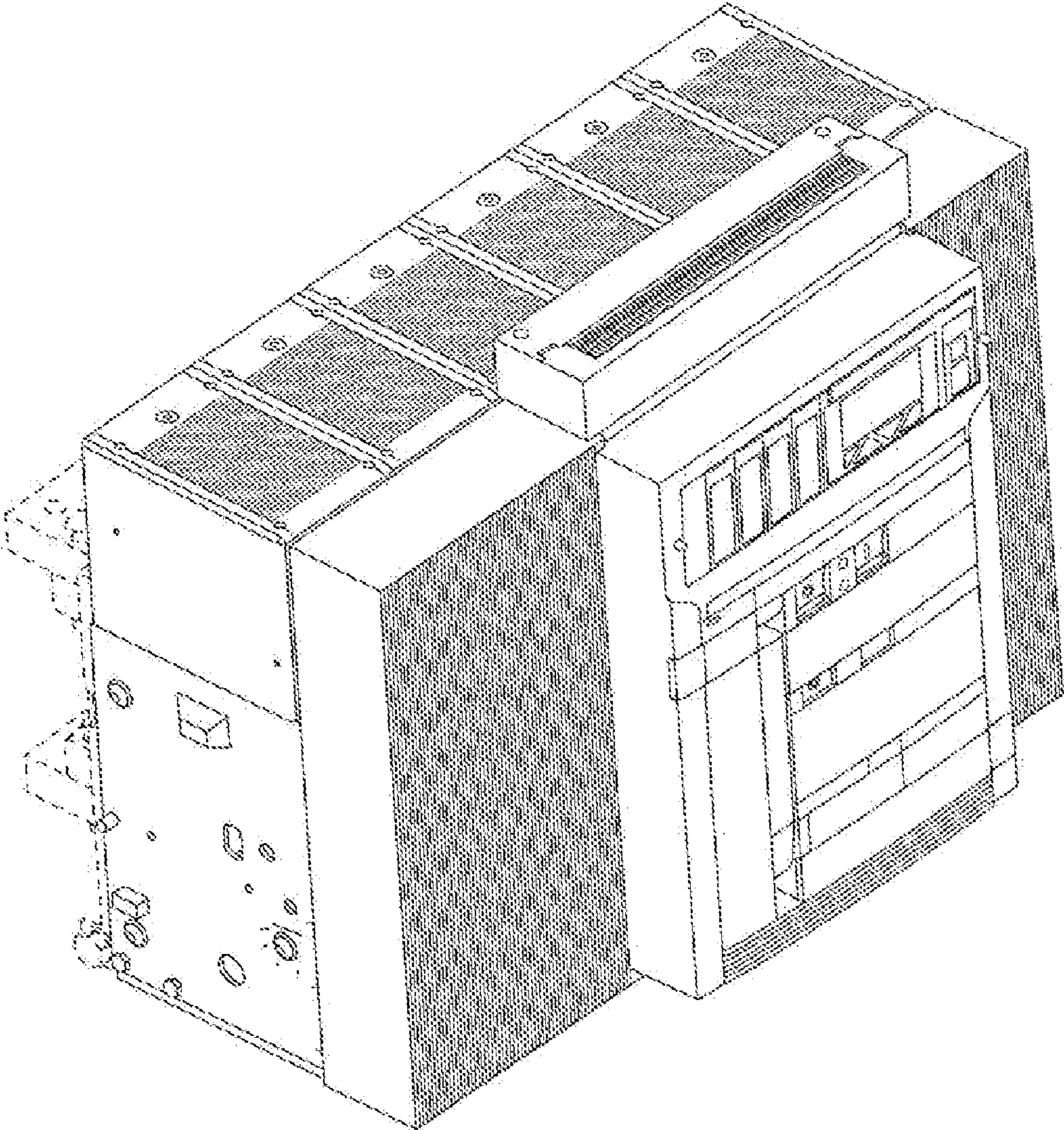


FIG. 31

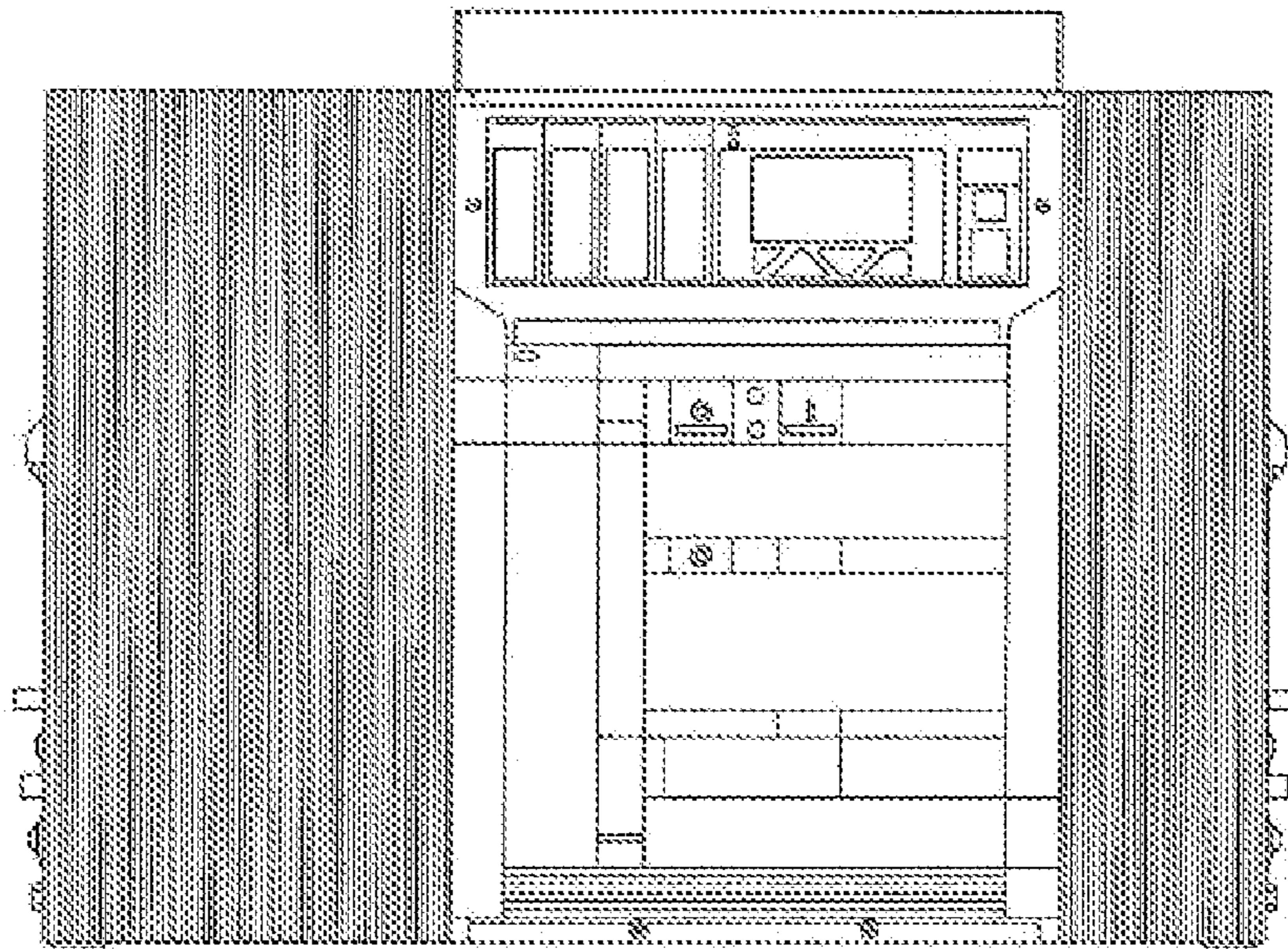


FIG. 32

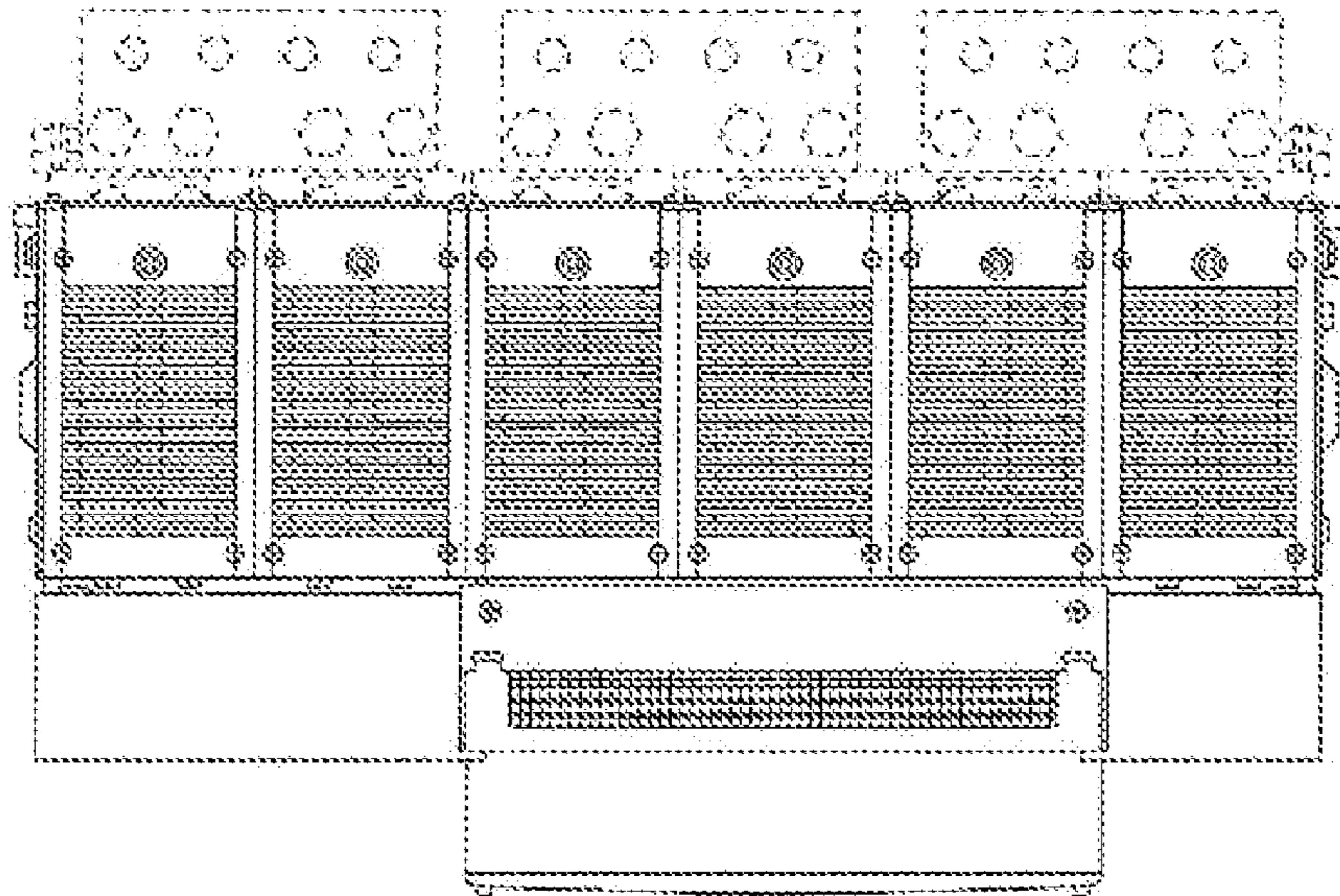


FIG. 33

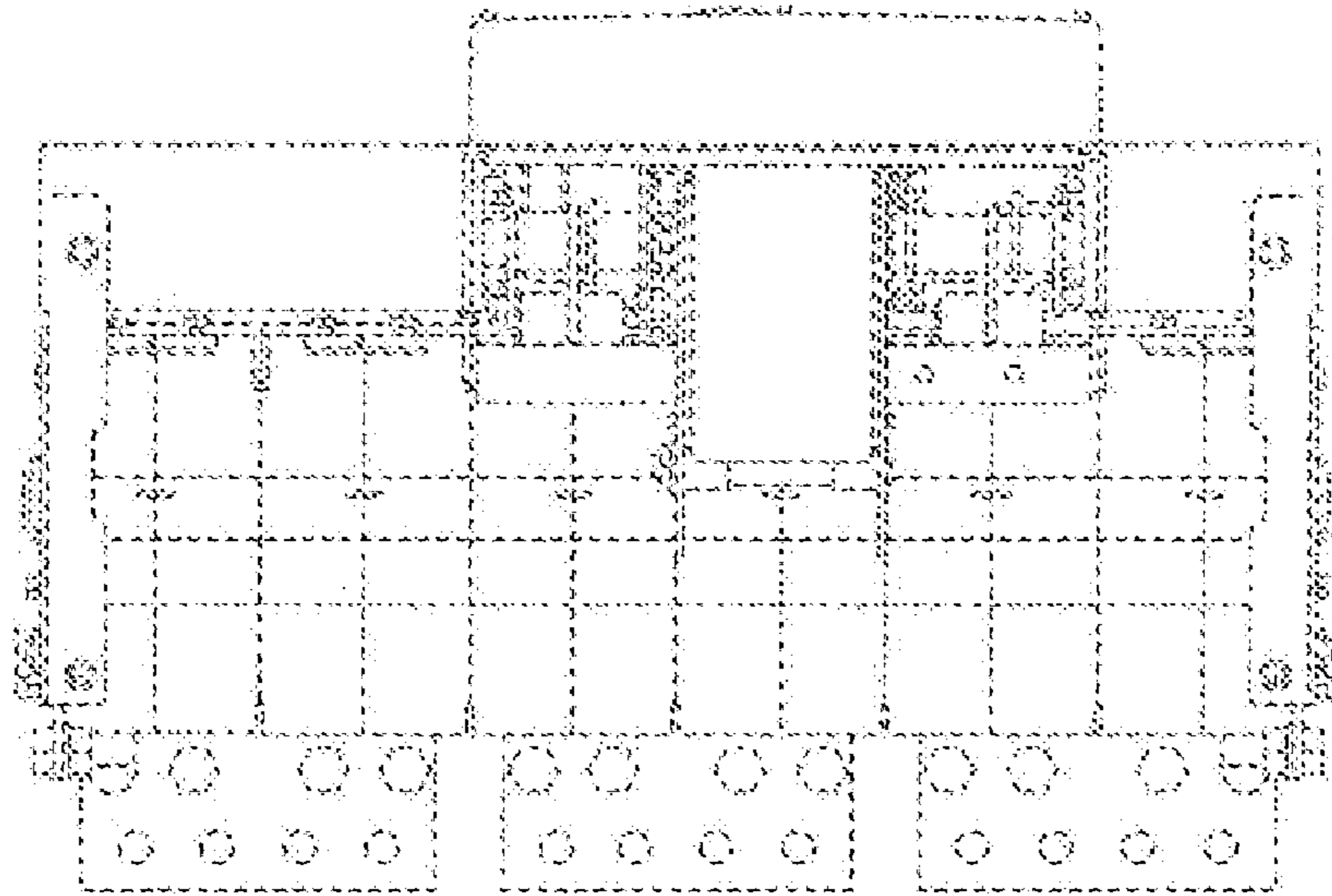


FIG. 34

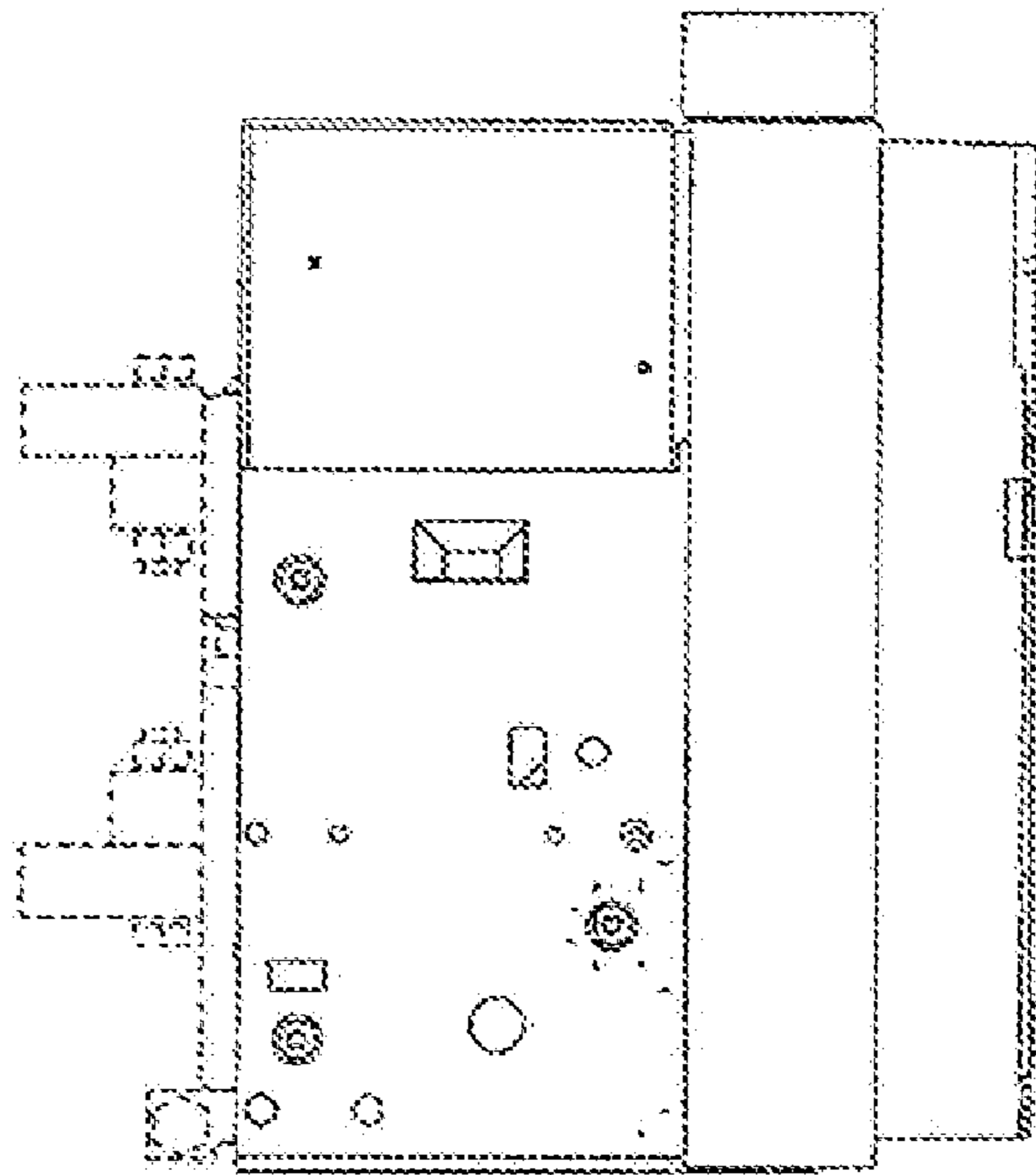


FIG. 35

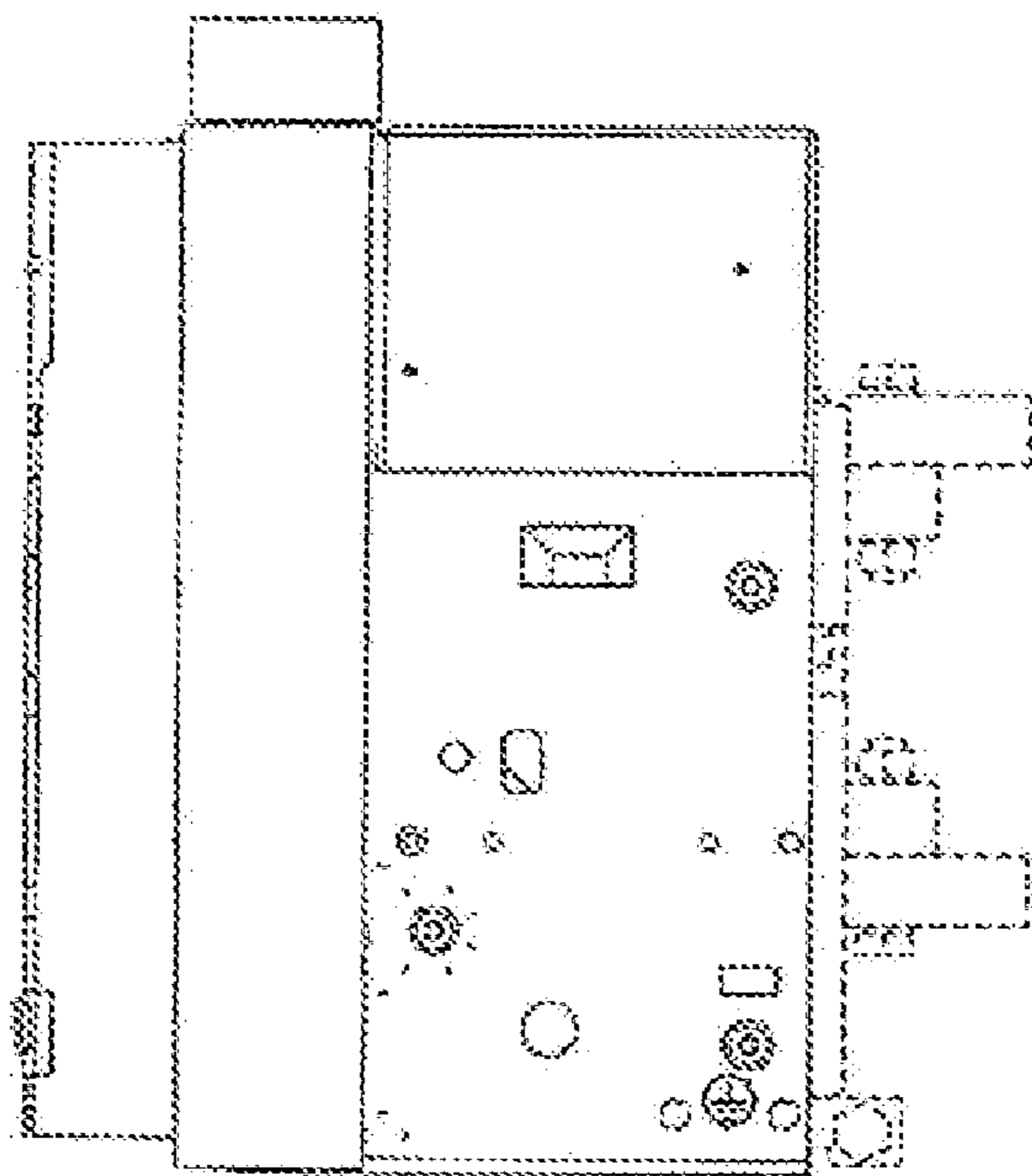


FIG. 36