



US00D639251S

(12) **United States Design Patent**
Nurmi et al.

(10) **Patent No.:** **US D639,251 S**
(45) **Date of Patent:** **** Jun. 7, 2011**

(54) **CABLE GLAND MODULE**

(75) Inventors: **Aapo Nurmi**, Kiikka (FI); **Mika Hautamaki**, Helsinki (FI)

(73) Assignee: **Trelleborg Industrial Products Finland Oy**, Sastamala (FI)

(**) Term: **14 Years**

(21) Appl. No.: **29/346,331**

(22) Filed: **Oct. 30, 2009**

(30) **Foreign Application Priority Data**

Apr. 30, 2009 (EM) 001135701

(51) **LOC (9) Cl.** **13-03**

(52) **U.S. Cl.** **D13/155**

(58) **Field of Classification Search** D13/133,
D13/147, 153, 154, 155, 184, 199; D8/354,
D8/355, 356, 357, 358, 359, 360.1; 174/48,
174/68.3, 72 A, 95, 99 R, 101; 248/56; 439/680,
439/607.01, 607.04, 607.05, 607.17, 607.25,
439/607.34, 607.41, 607.53
See application file for complete search history.

(56) **References Cited**

U.S. PATENT DOCUMENTS

D236,250 S * 8/1975 Walton D8/396
D236,481 S * 8/1975 Johnston D13/156
D304,325 S * 10/1989 Pushelberg et al. D13/155
D481,684 S * 11/2003 Bomar D13/154
D597,035 S * 7/2009 Libby D13/156

OTHER PUBLICATIONS

<http://oami.europa.eu/RCDOOnline/RequestManager>; Registration No. 001050736-0001; Registration Date Nov. 26, 2008; Publication Date: Dec. 15, 2008; Owner: Oy Mar-Con Polymers Ltd.

<http://oami.europa.eu/RCDOOnline/RequestManager>; Registration No. 001050736-0002; Registration Date Nov. 26, 2008; Publication Date: Dec. 15, 2008; Owner: Oy Mar-Con Polymers Ltd.

<http://oami.europa.eu/RCDOOnline/RequestManager>; Registration No. 001050736-0003; Registration Date Nov. 26, 2008; Publication Date: Dec. 15, 2008; Owner: Oy Mar-Con Polymers Ltd.
<http://oami.europa.eu/RCDOOnline/RequestManager>; Registration No. 001050736-0004; Registration Date Nov. 26, 2008; Publication Date: Dec. 15, 2008; Owner: Oy Mar-Con Polymers Ltd.
<http://www.trelleborg.com/fi/Mar-con/TUOTEET/Multilaippa/MC3>; published prior to Apr. 30, 2009; Model MC 3.
<http://www.trelleborg.com/fi/Mar-con/TUOTEET/Multilaippa/MC25>; published prior to Apr. 30, 2009; Model MC 25.
<http://www.trelleborg.com/fi/Mar-con/TUOTEET/Multilaippa/MC35>; published prior to Apr. 30, 2009; Model MC 35.
<http://www.trelleborg.com/fi/Mar-con/TUOTEET/Multilaippa/MC16>; published prior to Apr. 30, 2009; Model MC 16.
<http://www.trelleborg.com/fi/Mar-con/TUOTEET/Multilaippa/MC10-30>; published prior to Apr. 30, 2009; Model MC 10-30.
<http://www.trelleborg.com/fi/Mar-con/TUOTEET/Multilaippa/MB10-25>; published prior to Apr. 30, 2009; Model MB 10-25.
<http://www.trelleborg.com/fi/Mar-con/TUOTEET/Multilaippa/MX10-30>; published prior to Apr. 30, 2009; Model MX 10-30.
<http://www.trelleborg.com/fi/Mar-con/TUOTEET/Multilaippa/Rittal52>; published prior to Apr. 30, 2009; Model Rittal 52.

(Continued)

Primary Examiner — Daniel D Bui

(74) *Attorney, Agent, or Firm* — Banner & Witcoff, Ltd.

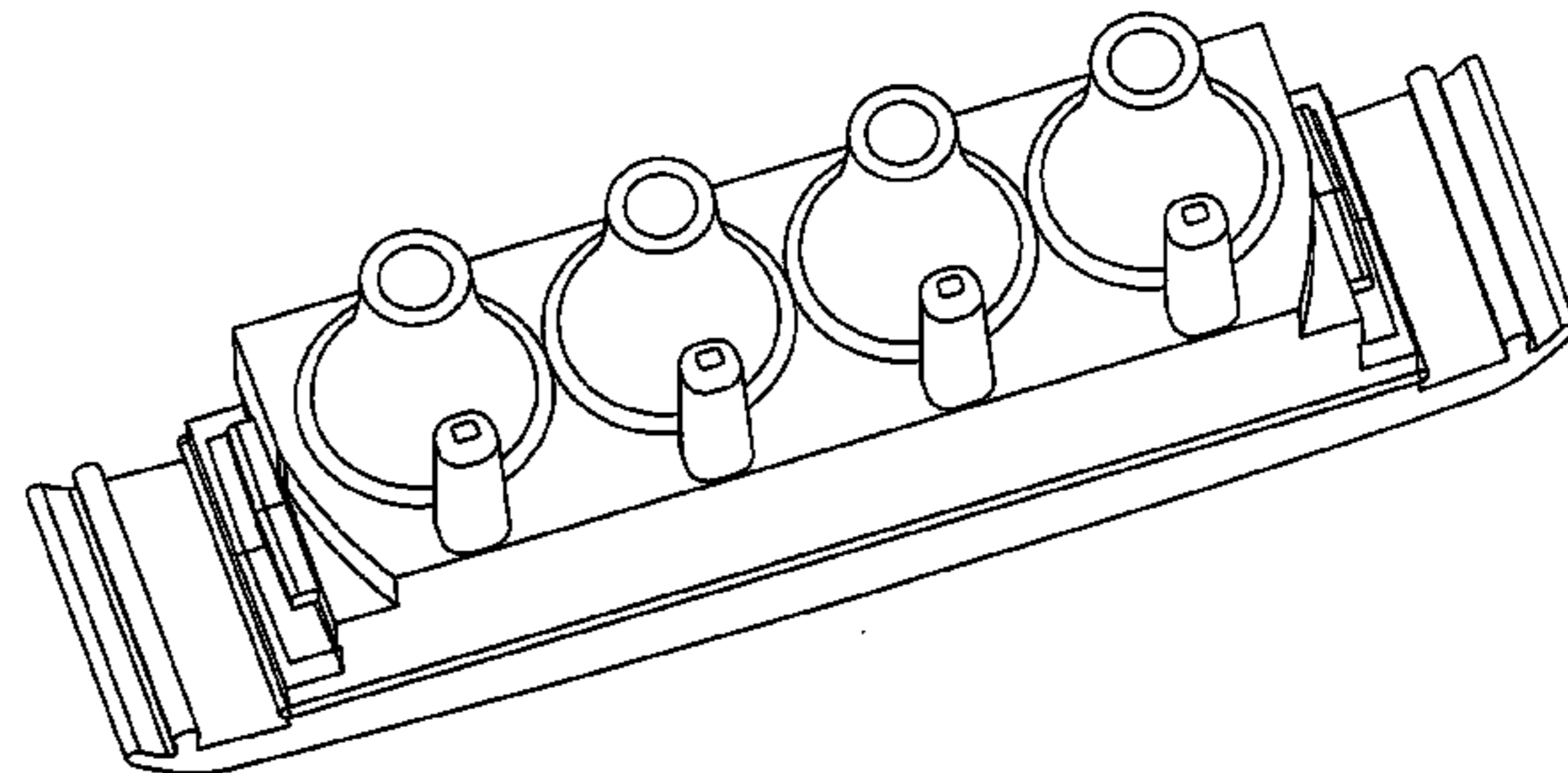
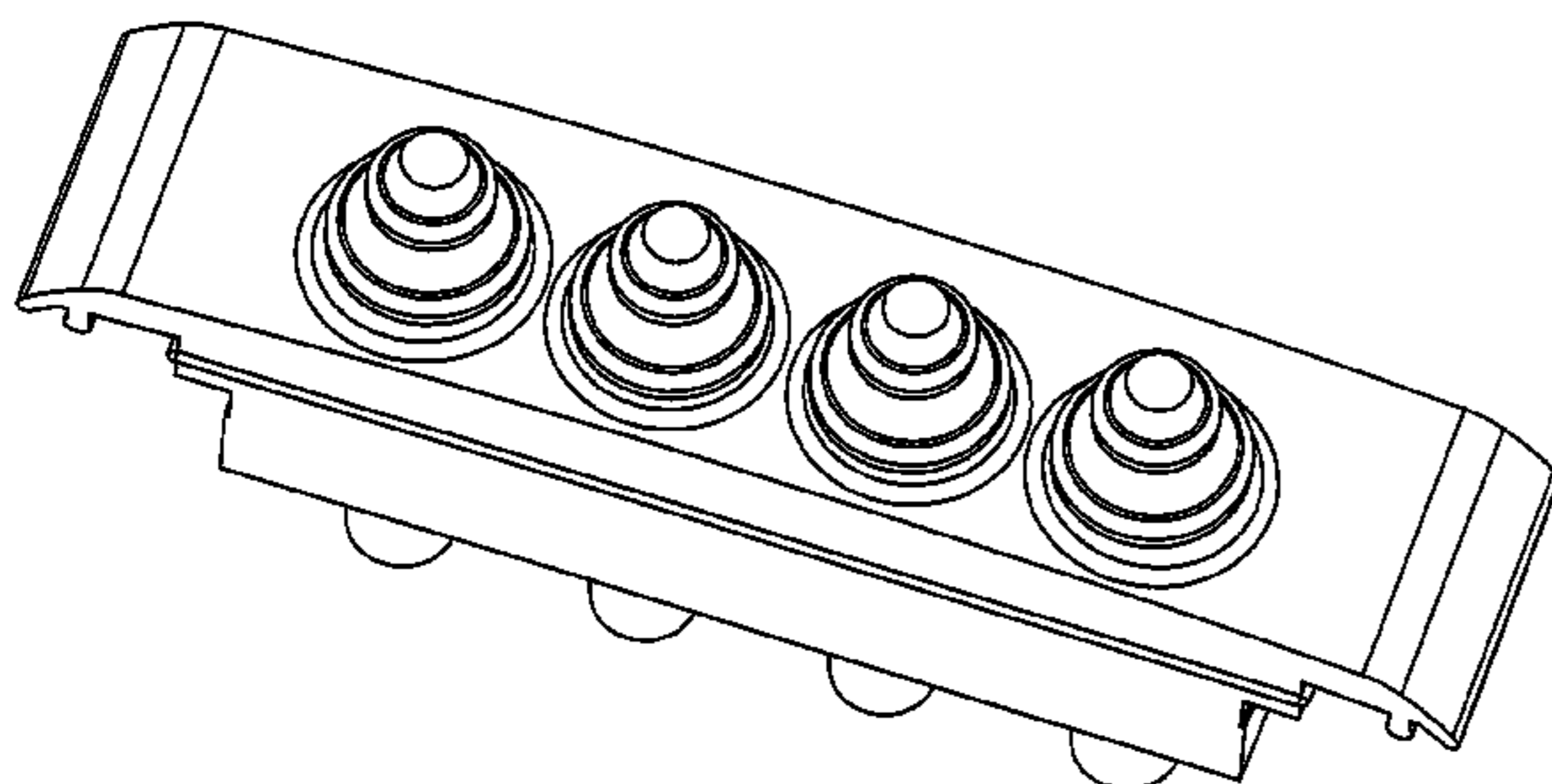
(57) **CLAIM**

The ornamental design for a cable gland module, as shown and described.

DESCRIPTION

FIG. 1 is a front and top perspective view of a cable gland module showing our new design;
FIG. 2 is a rear and bottom perspective view thereof;
FIG. 3 is a top plan view thereof;
FIG. 4 is a bottom plan view thereof;
FIG. 5 is a rear elevation view thereof;
FIG. 6 is a front elevation view thereof; and,
FIG. 7 is a left side elevation view thereof.
The broken line portion of the figure drawings is included to show unclaimed subject matter only and forms no part of the claimed design.

1 Claim, 4 Drawing Sheets



OTHER PUBLICATIONS

<http://www.trelleborg.com/fi/Mar-con/TUOTEET/Multilaippa/Rittal> 85; published prior to Apr. 30, 2009; Model Rittal 85.

<http://www.trelleborg.com/fi/Mar-con/TUOTEET/Multilaippa/Rittal> 88; published prior to Apr. 30, 2009; Model Rittal 88.

* cited by examiner

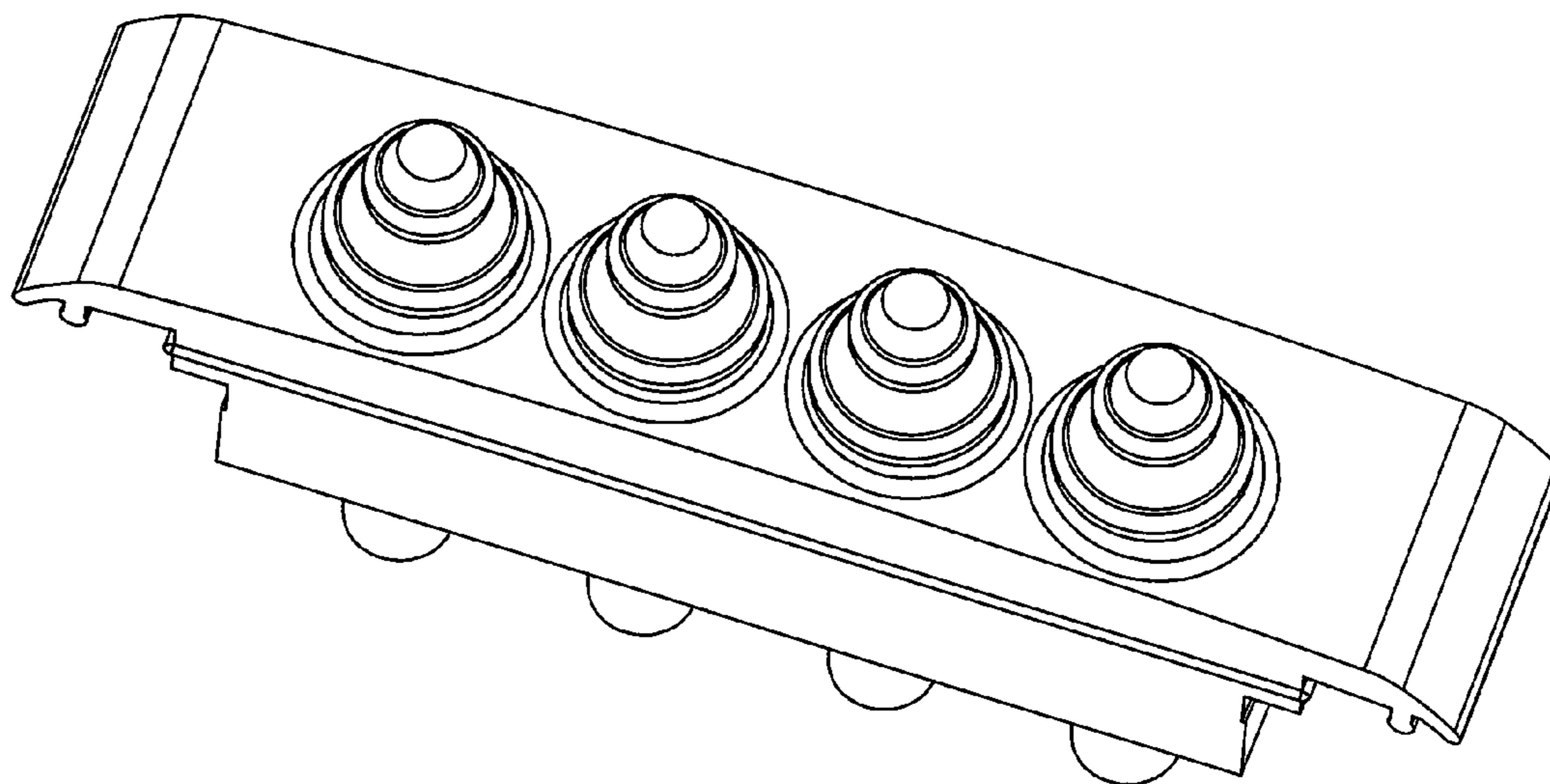


FIG. 1

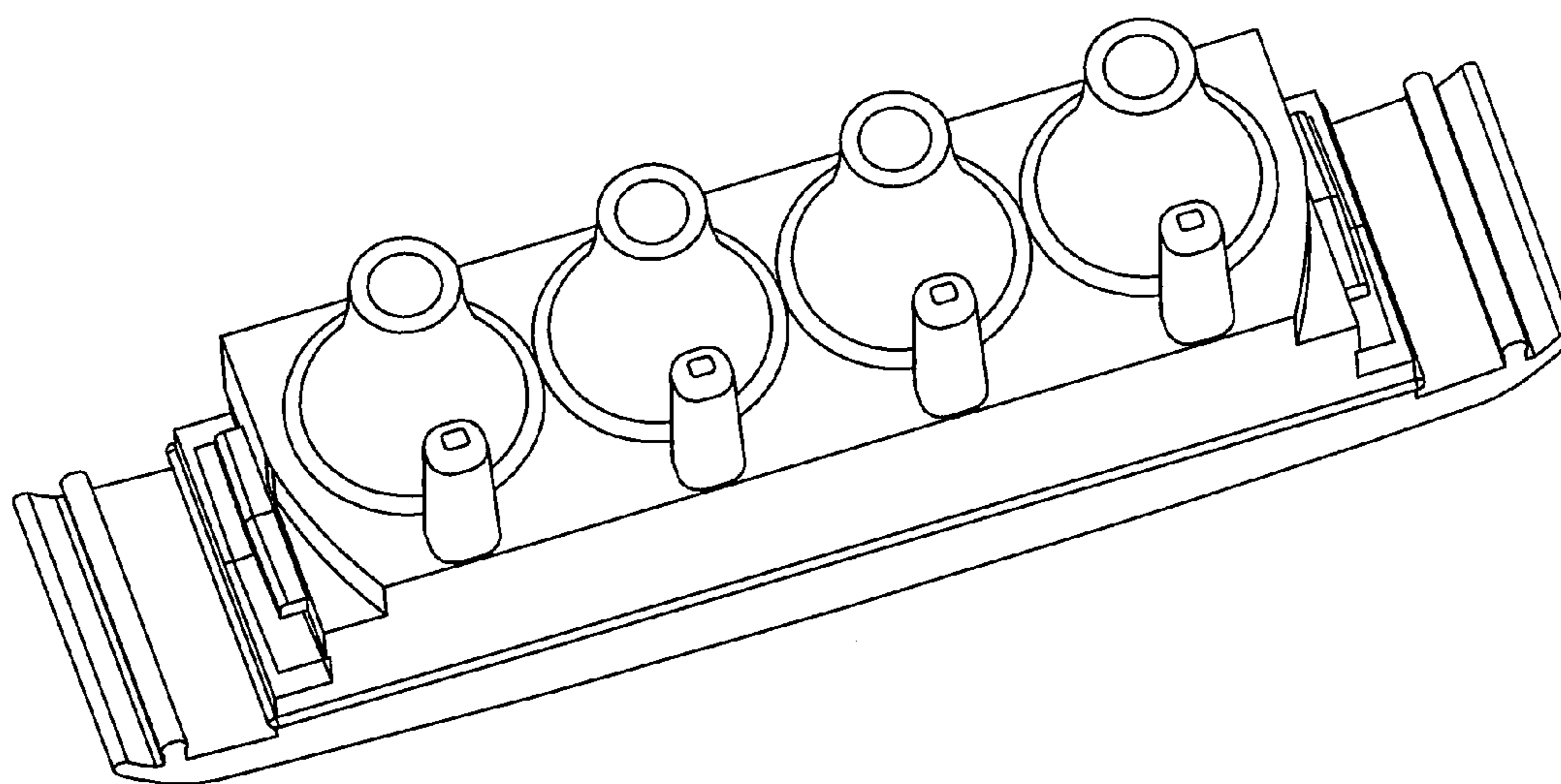


FIG. 2

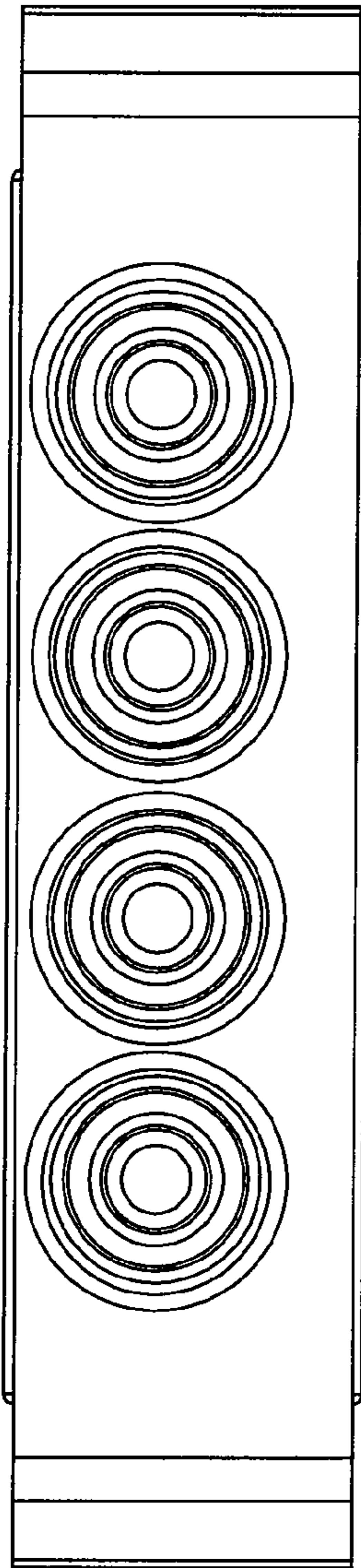


FIG. 3

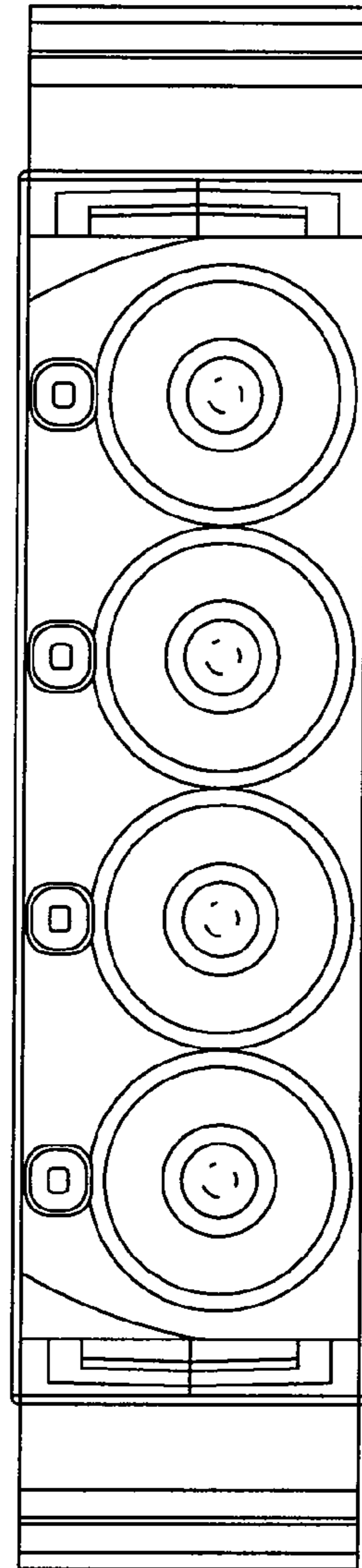


FIG. 4

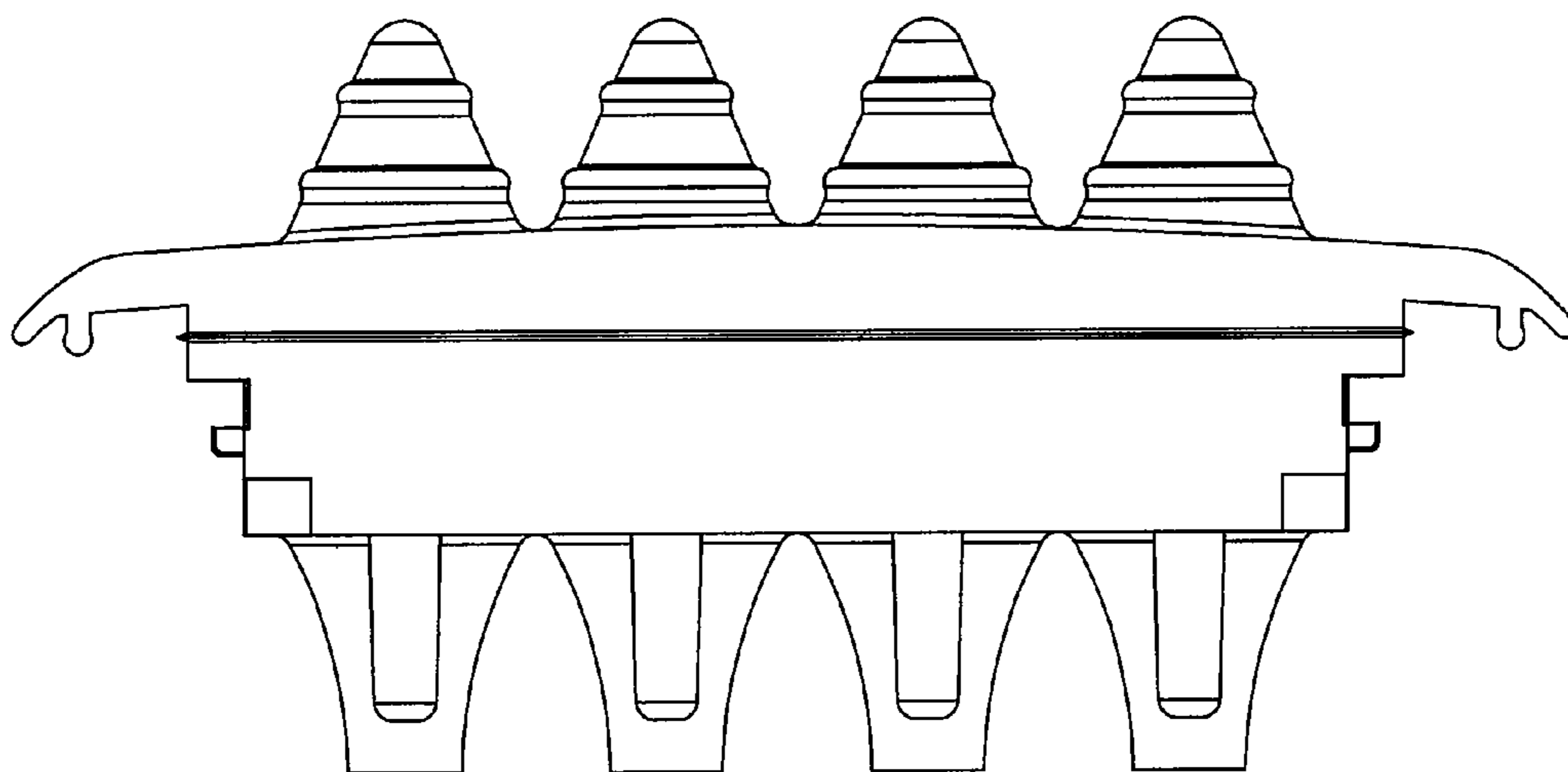


FIG. 5

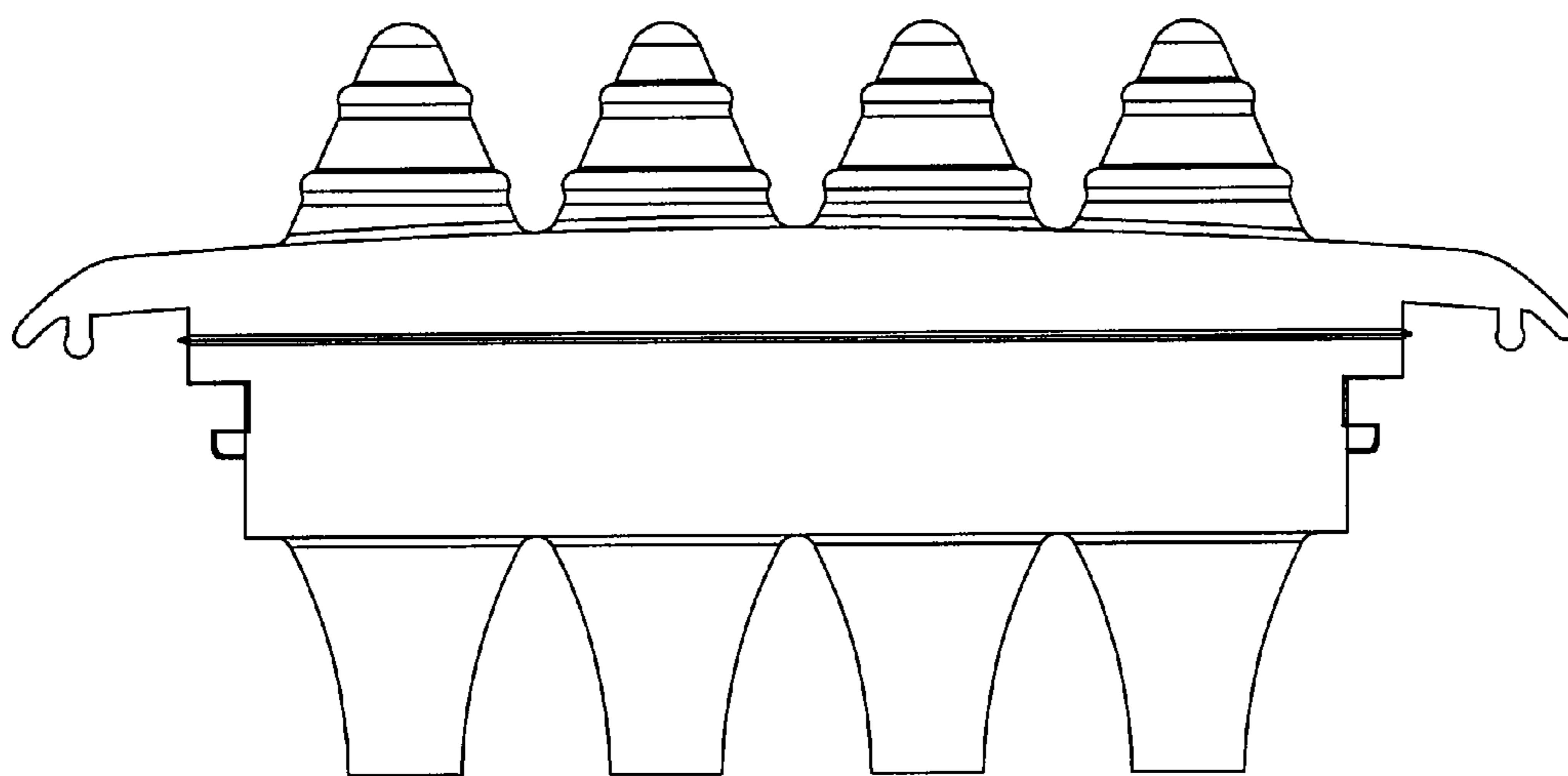


FIG. 6

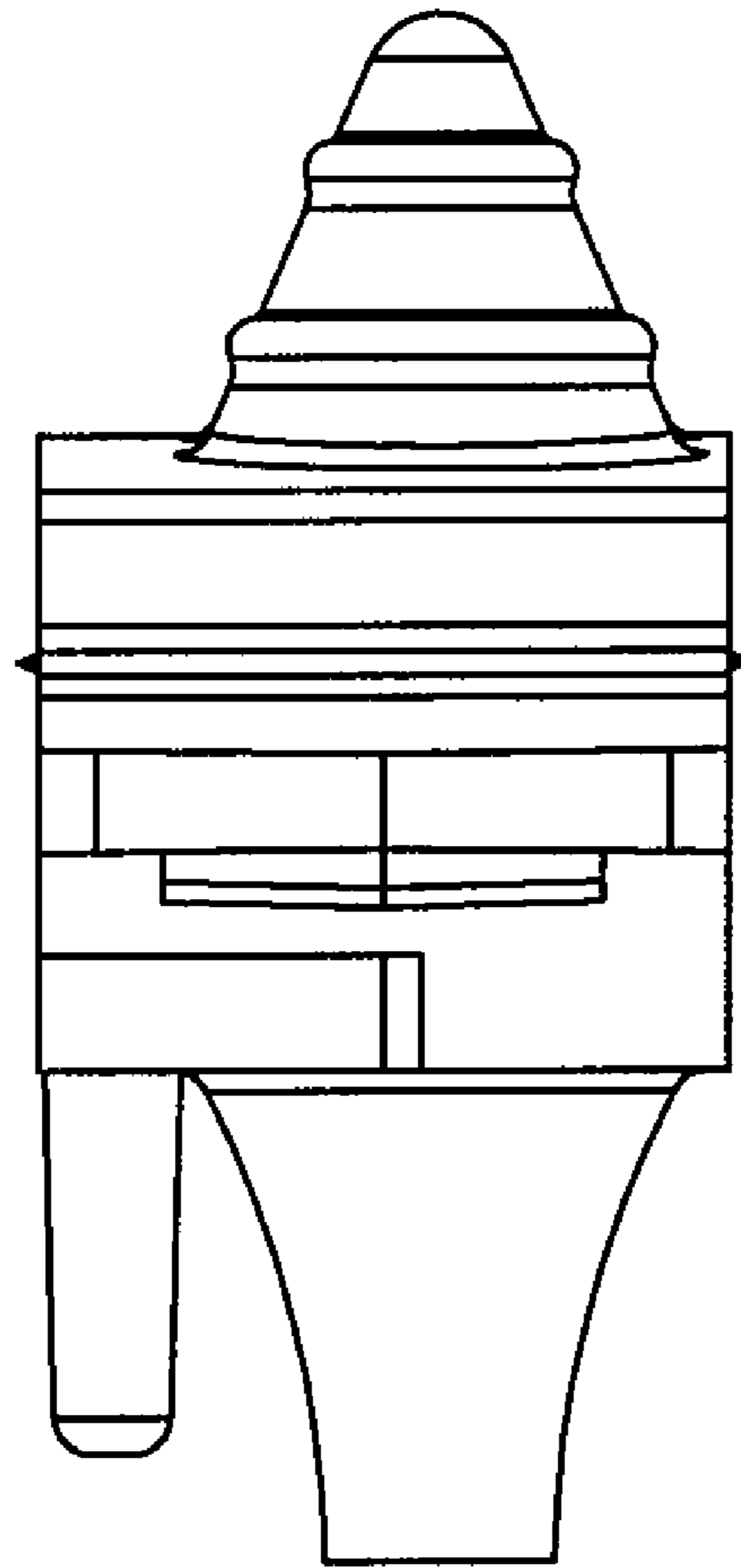


FIG. 7