



US00D639247S

(12) **United States Design Patent**  
**Xie et al.**

(10) **Patent No.:** **US D639,247 S**  
(45) **Date of Patent:** **\*\* Jun. 7, 2011**

(54) **RECEPTACLE CONNECTOR**

(75) Inventors: **Bao-Geng Xie**, Guang-Dong (CN); **Ni Gao**, Guang-Dong (CN); **Wei-Hong Liao**, Guang-Dong (CN); **Ming-Chiang Chen**, Tu-Cheng (TW)

(73) Assignee: **Cheng Uei Precision Industry Co., Ltd.**, Tu-Cheng, Taipei Hsien (TW)

(\*\*) Term: **14 Years**

(21) Appl. No.: **29/378,159**

(22) Filed: **Oct. 29, 2010**

(51) **LOC (9) Cl.** ..... **13-03**

(52) **U.S. Cl.** ..... **D13/147**

(58) **Field of Classification Search** ..... D13/147,  
D13/154, 184; 439/108, 476.1, 483, 527,  
439/533, 607.01, 607.04, 607.05, 607.17,  
439/607.25, 607.34, 607.41, 607.53, 892,  
439/894

See application file for complete search history.

(56) **References Cited**

U.S. PATENT DOCUMENTS

D524,747 S \* 7/2006 Nishio et al. .... D13/147  
D608,288 S \* 1/2010 Zhu et al. .... D13/147

D618,624 S \* 6/2010 Chiang ..... D13/147  
D624,505 S \* 9/2010 Chiang ..... D13/147  
D626,080 S \* 10/2010 Zong ..... D13/147

\* cited by examiner

*Primary Examiner* — Daniel D Bui

(74) *Attorney, Agent, or Firm* — Cheng-Ju Chiang

(57) **CLAIM**

The ornamental design for a receptacle connector, as shown and described.

**DESCRIPTION**

FIG. 1 is a perspective view of a receptacle connector showing our new design;

FIG. 2 is a front elevational view thereof;

FIG. 3 is a rear elevational view thereof;

FIG. 4 is a left side elevational view thereof;

FIG. 5 is a right side elevational view thereof;

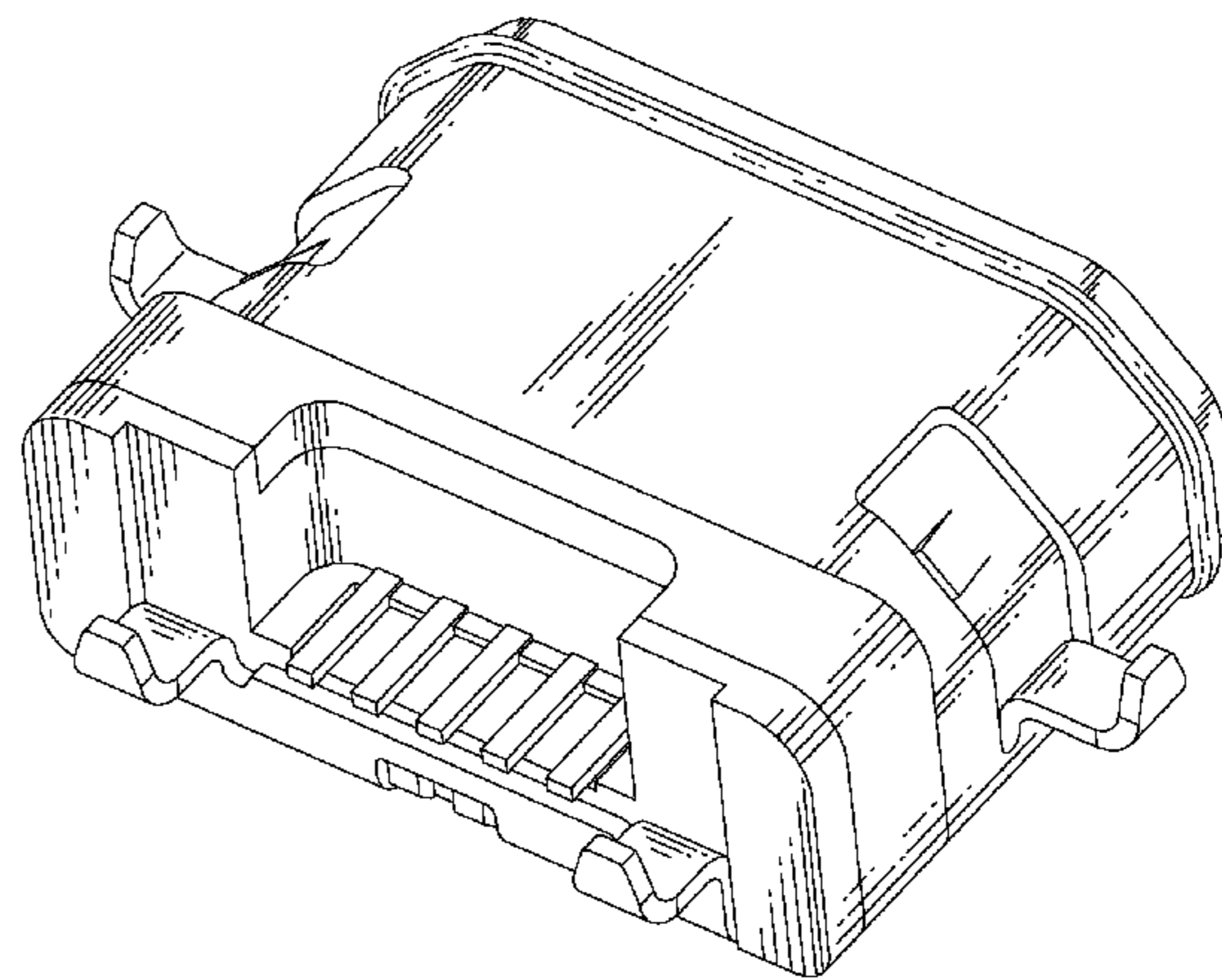
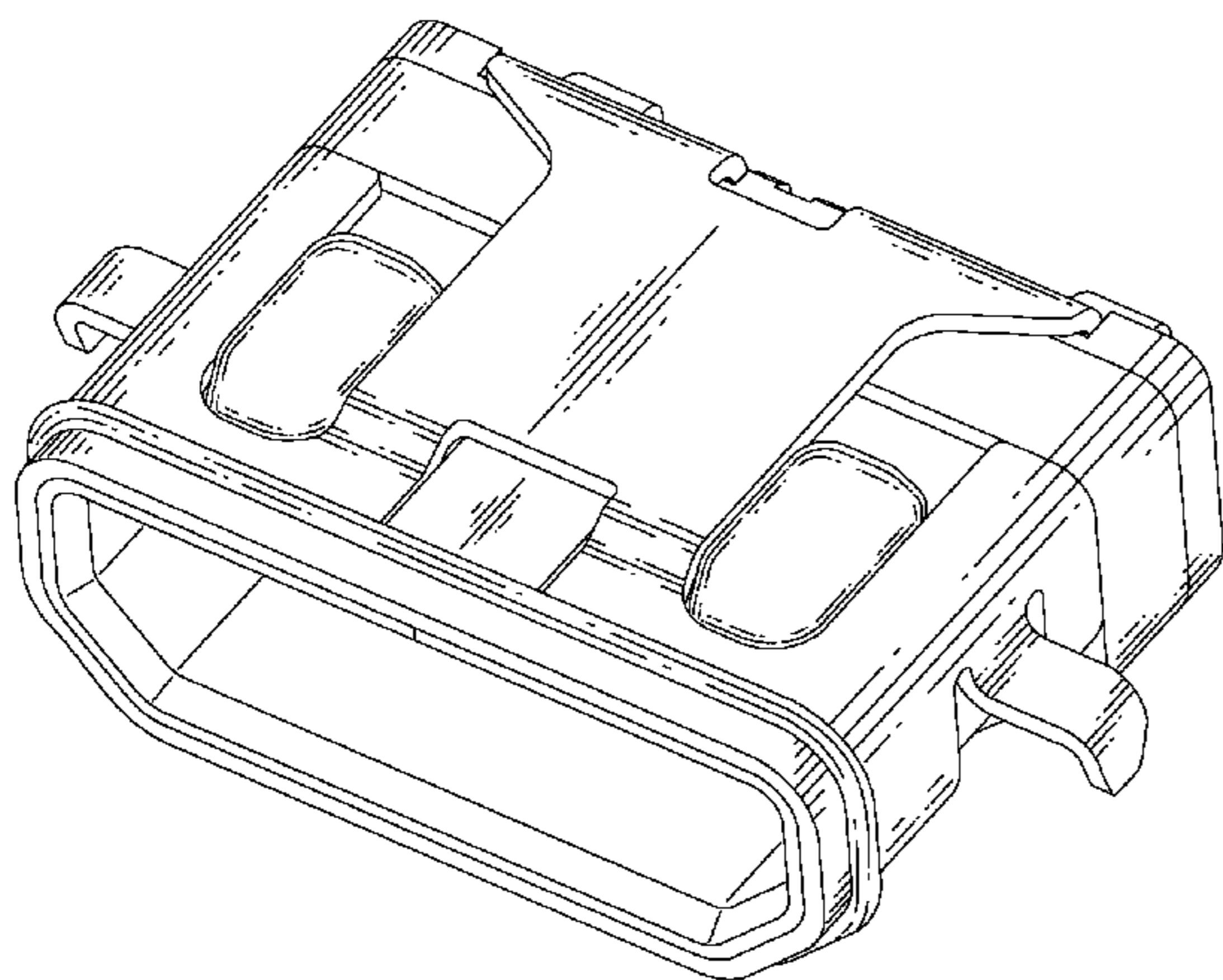
FIG. 6 is a top plan view thereof;

FIG. 7 is a bottom plan view thereof; and,

FIG. 8 is another perspective view of the receptacle connector showing our new design.

The broken line portion of the figure drawings is included to show unclaimed subject matter only and forms no part of the claimed design.

**1 Claim, 8 Drawing Sheets**



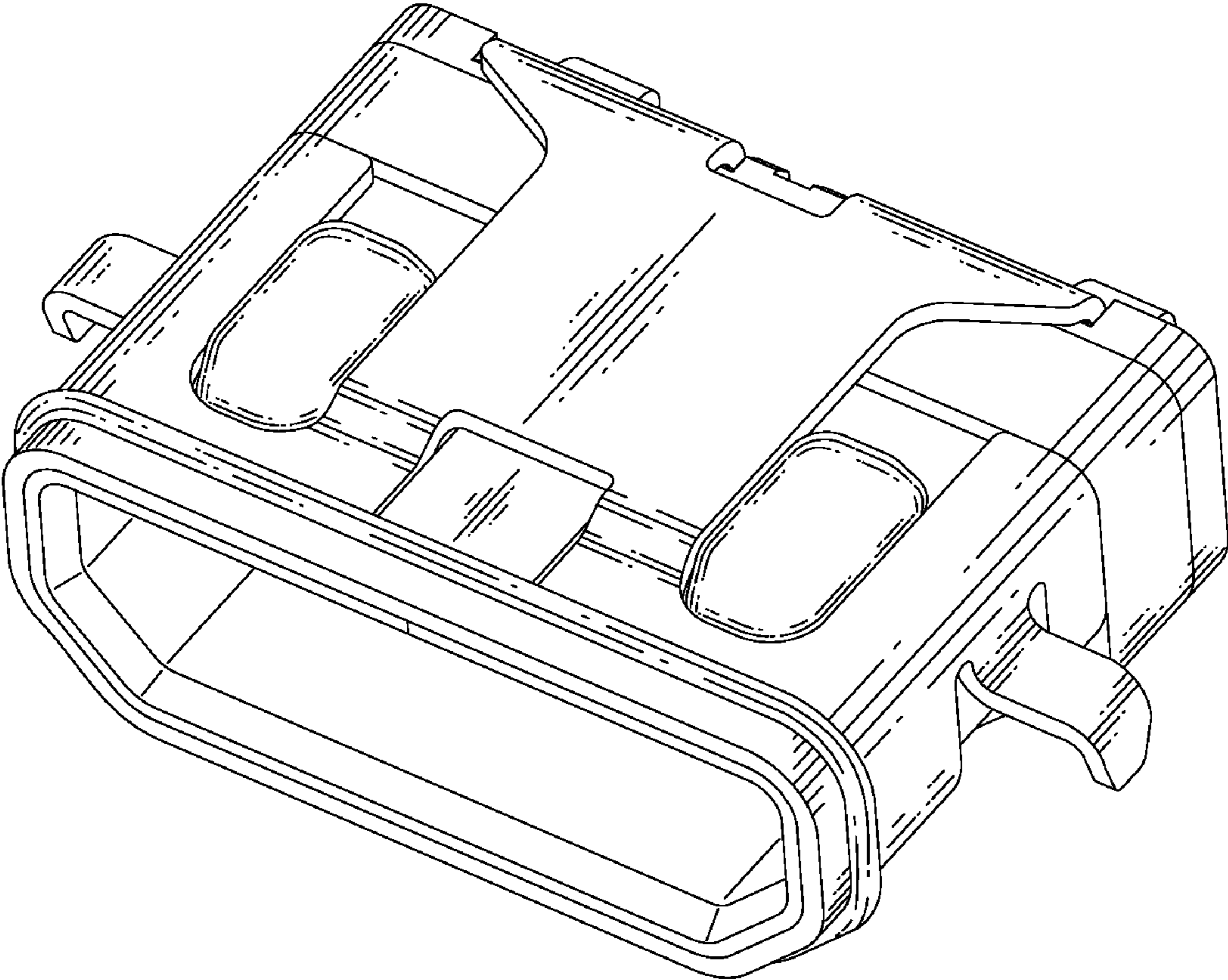


FIG. 1

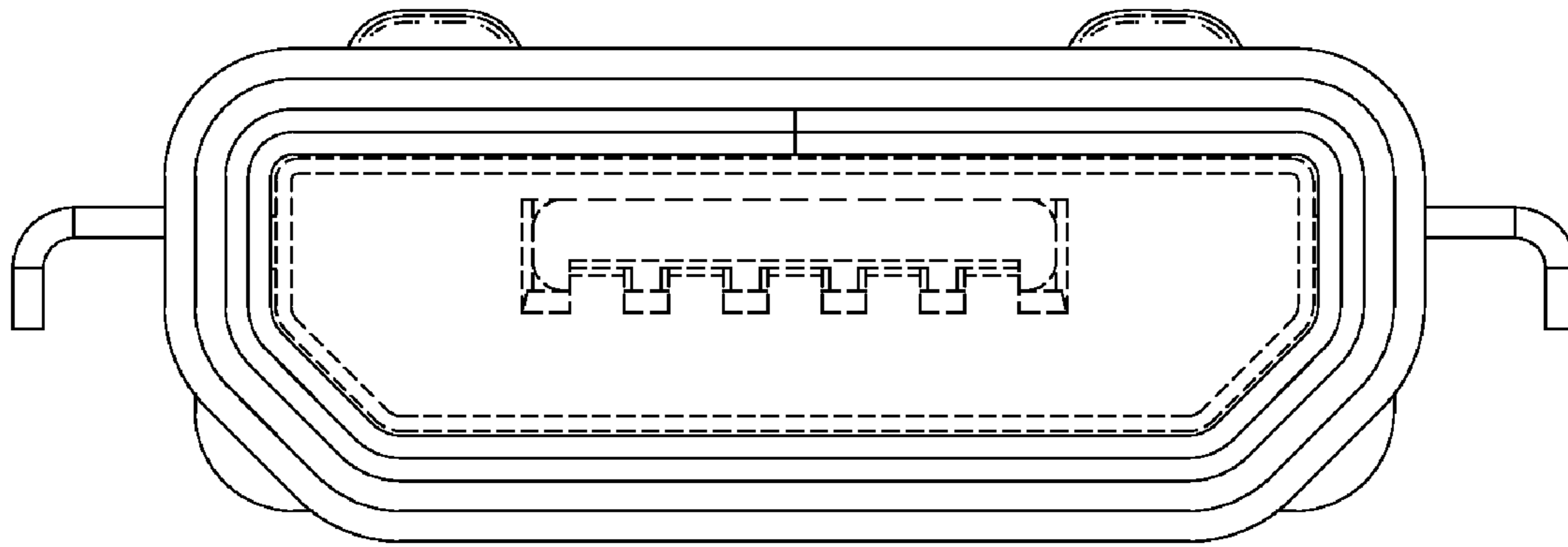


FIG. 2

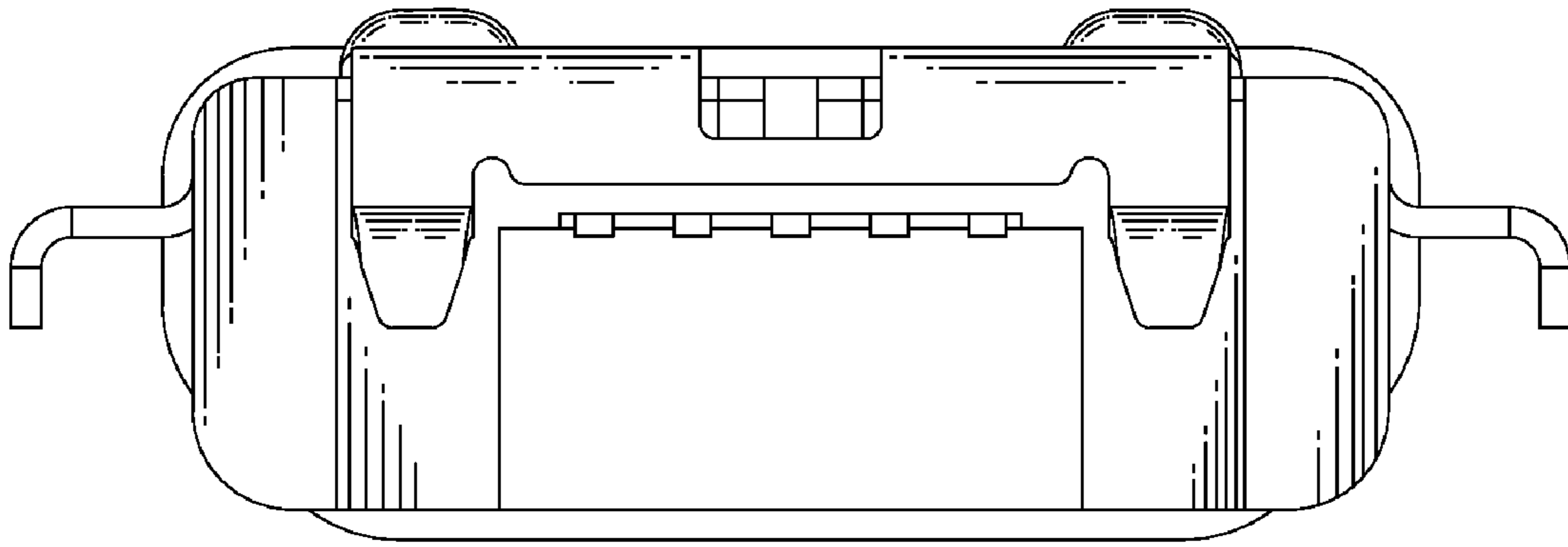


FIG. 3

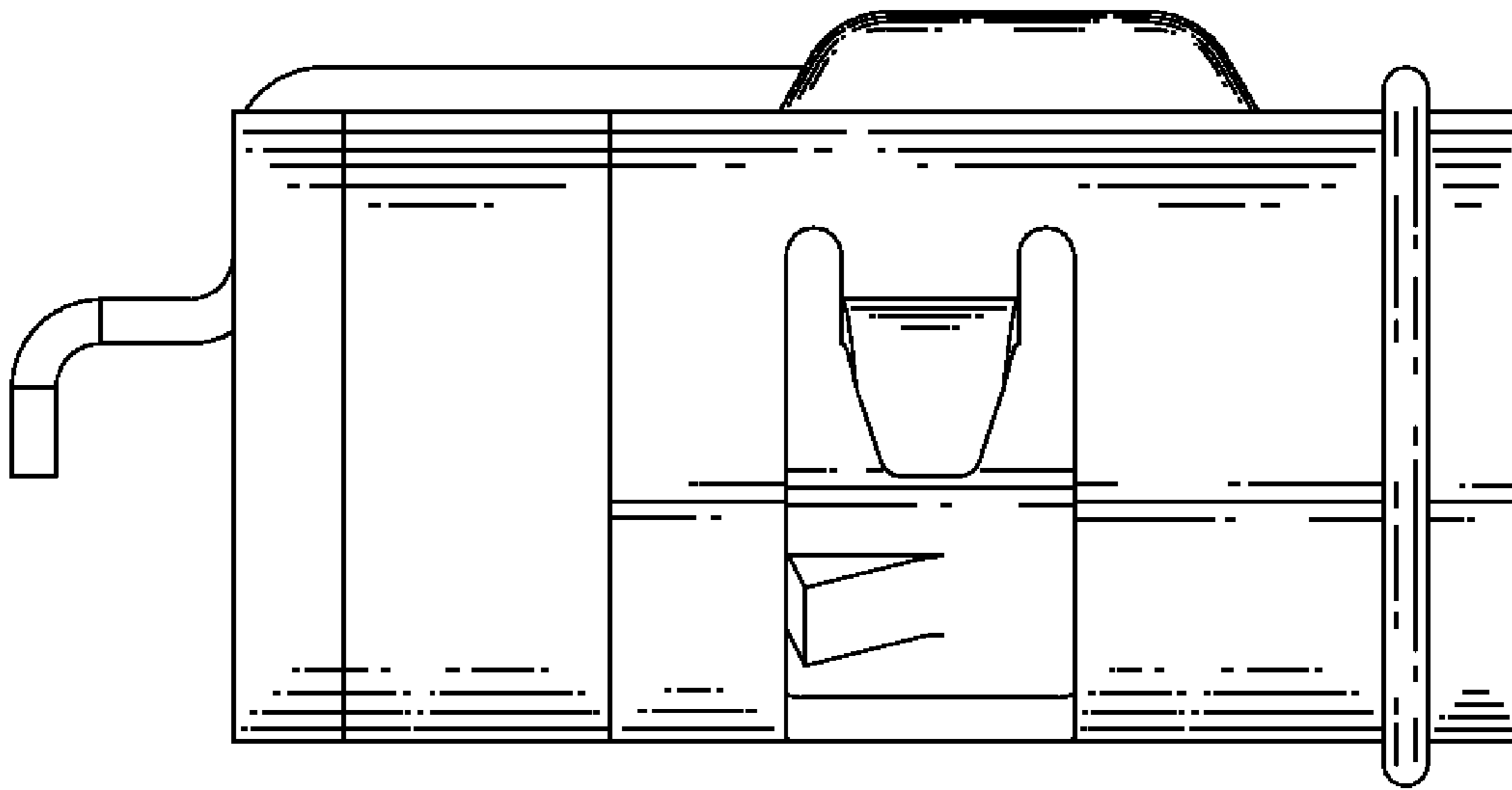


FIG. 4

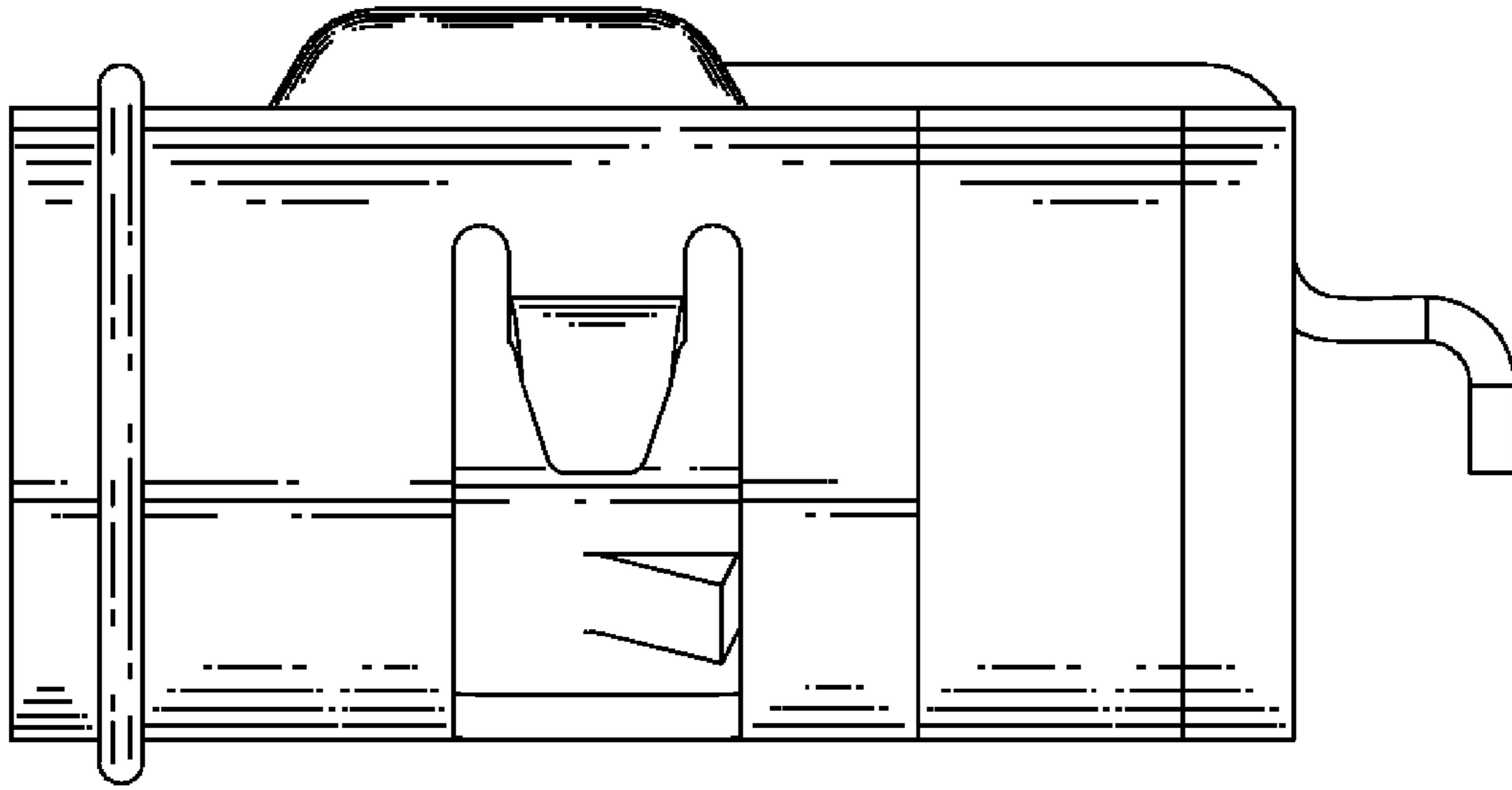


FIG. 5

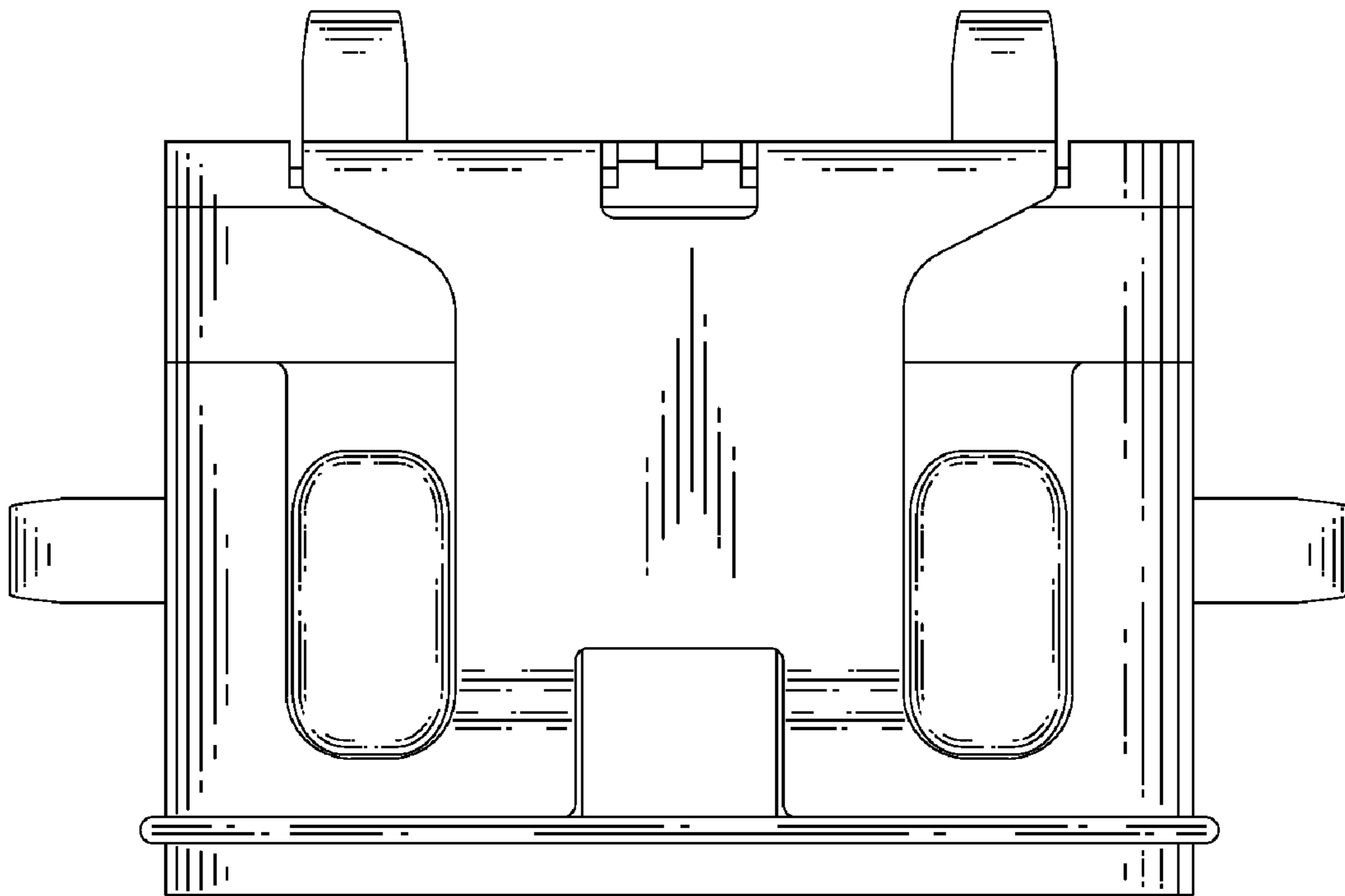


FIG. 6

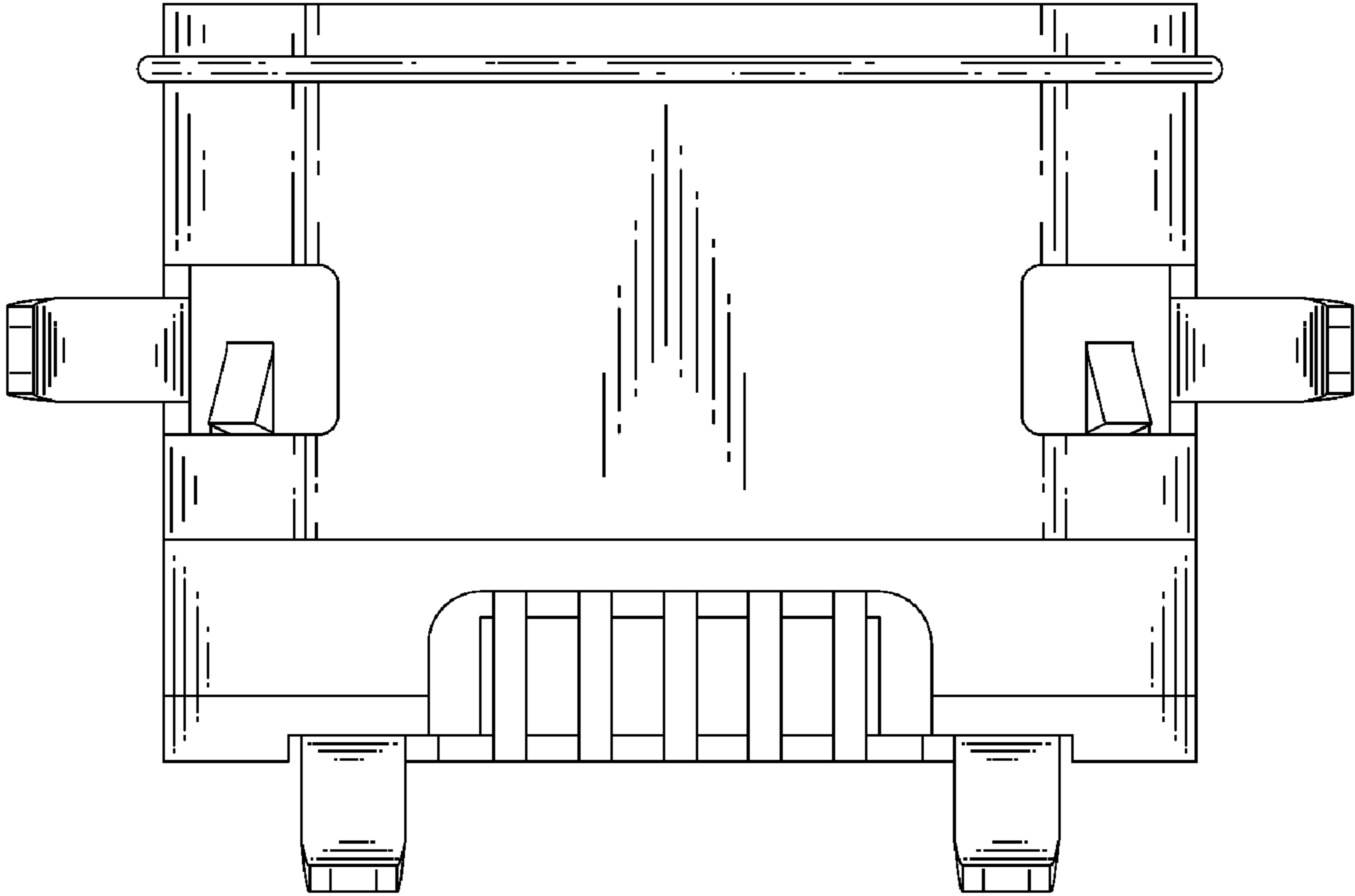


FIG. 7



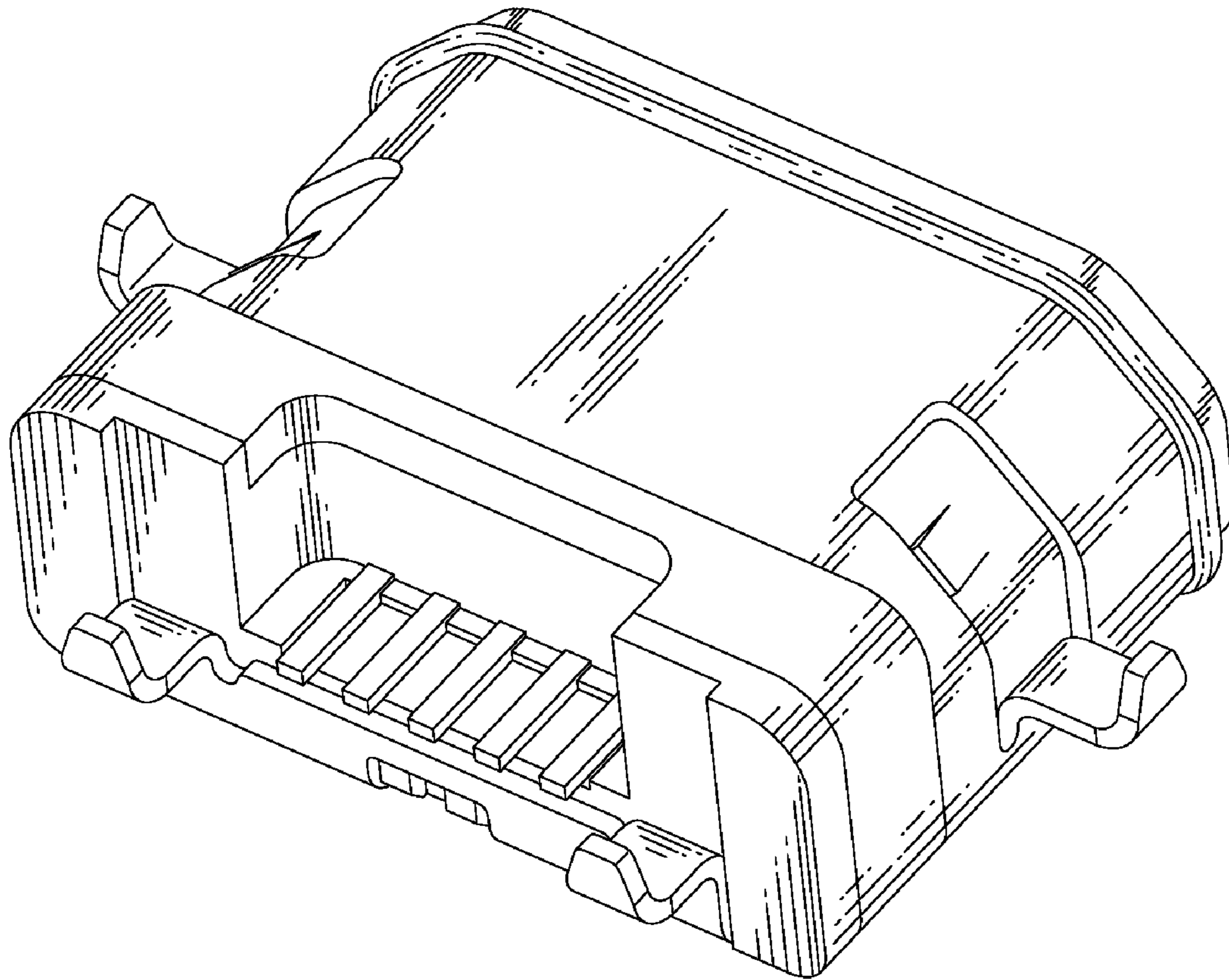


FIG. 8