



US00D639245S

(12) **United States Design Patent**  
**Wada et al.**

(10) **Patent No.:** **US D639,245 S**  
(45) **Date of Patent:** **\*\* Jun. 7, 2011**

(54) **ELECTRICAL CONNECTOR**

U.S. Appl. No. 29/362,924; First Named Inventor: Takamitsu Wada;  
Title: "Electrical Connector"; filed Jun. 2, 2010.

(75) Inventors: **Takamitsu Wada**, Tokyo (JP); **Kenichi Kotaka**, Tokyo (JP); **Tadahiro Ota**, Tokyo (JP)

\* cited by examiner

(73) Assignee: **Japan Aviation Electronics Industry Limited**, Tokyo (JP)

*Primary Examiner* — Daniel Bui

(74) *Attorney, Agent, or Firm* — Holtz, Holtz, Goodman & Chick, PC

(\*\*) Term: **14 Years**

(57) **CLAIM**

The ornamental design for an electrical connector, as shown and described.

(21) Appl. No.: **29/362,925**

(22) Filed: **Jun. 2, 2010**

**DESCRIPTION**

(30) **Foreign Application Priority Data**

Dec. 7, 2009 (JP) ..... 2009-028457  
Dec. 7, 2009 (JP) ..... 2009-028465  
Dec. 7, 2009 (JP) ..... 2009-028466

FIG. 1 is a front, top and right side perspective view of an electrical connector showing our new design;

FIG. 2 is a rear, top and left side perspective view thereof;

FIG. 3 is a front view thereof;

FIG. 4 is a rear view thereof;

FIG. 5 is a top view thereof;

FIG. 6 is a bottom view thereof;

FIG. 7 is a right side view thereof;

FIG. 8 is a left side view thereof;

FIG. 9 is a front, top and right side perspective view of an electrical connector showing our other new design;

FIG. 10 is a rear, top and left side perspective view thereof;

FIG. 11 is a front view thereof;

FIG. 12 is a rear view thereof;

FIG. 13 is a top view thereof;

FIG. 14 is a bottom view thereof;

FIG. 15 is a right side view thereof;

FIG. 16 is a left side view thereof;

FIG. 17 is a front, top and right side perspective view of an electrical connector showing our other new design;

FIG. 18 is a rear, top and left side perspective view thereof;

FIG. 19 is a front view thereof;

FIG. 20 is a rear view thereof;

FIG. 21 is a top view thereof;

FIG. 22 is a bottom view thereof;

FIG. 23 is a right side view thereof; and,

FIG. 24 is a left side view thereof.

The broken line portions of the drawing figures are included to show unclaimed subject matter only and form no part of the claimed design.

(51) **LOC (9) Cl.** ..... **13-03**

(52) **U.S. Cl.** ..... **D13/147**

(58) **Field of Classification Search** ..... D13/147,  
D13/154, 184; 439/108, 476.1, 483, 527,  
439/533, 607.01, 607.04, 607.05, 607.17,  
439/607.25, 607.34, 607.41, 607.53, 892,  
439/894

See application file for complete search history.

(56) **References Cited**

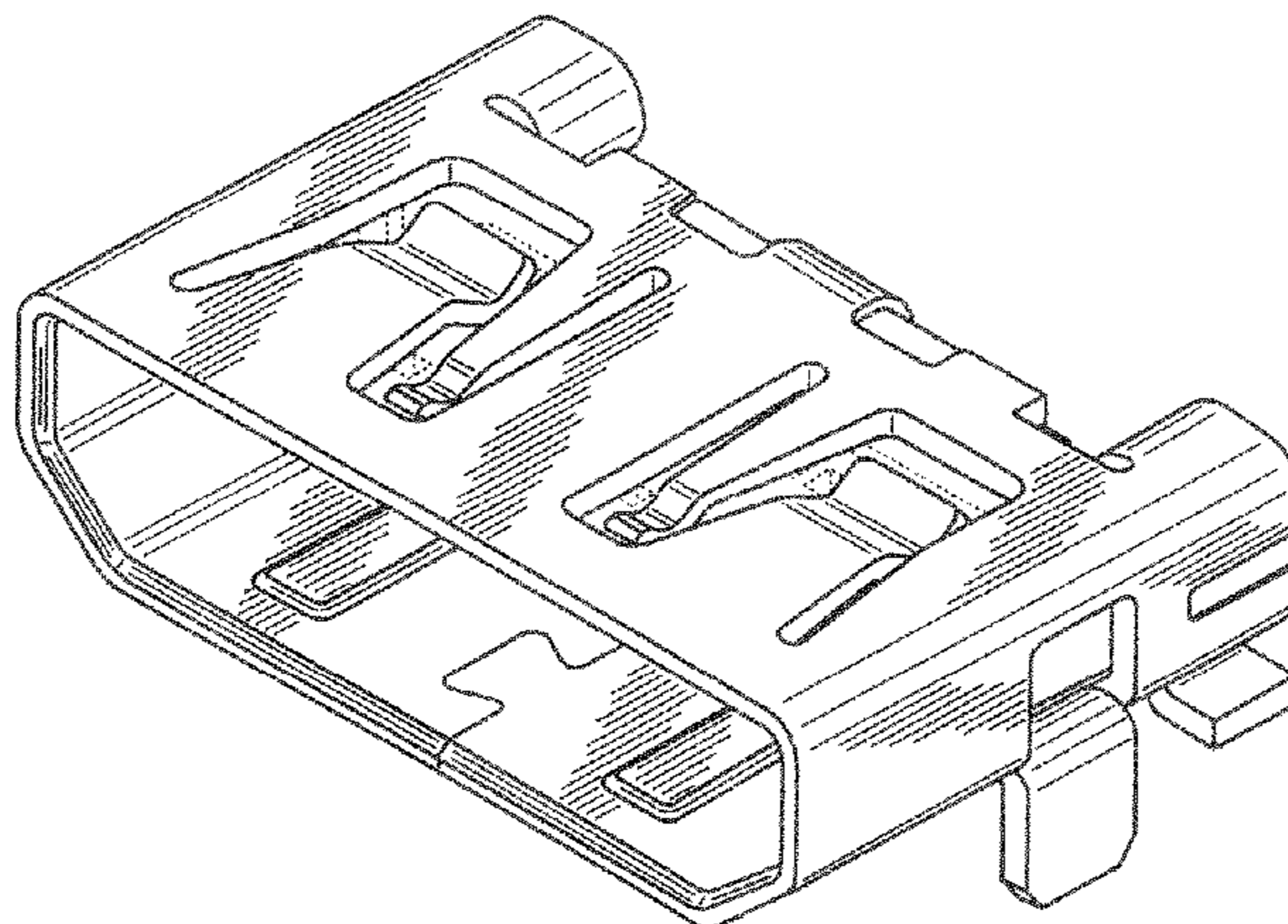
**U.S. PATENT DOCUMENTS**

D461,454 S \* 8/2002 Hagiwara ..... D13/147  
D462,663 S \* 9/2002 Hagiwara ..... D13/147  
D478,050 S \* 8/2003 Nishio et al. .... D13/147  
D481,681 S \* 11/2003 Takahashi ..... D13/147  
D509,192 S \* 9/2005 Chen ..... D13/147  
D523,400 S \* 6/2006 Shang-Yen et al. .... D13/147  
D523,813 S \* 6/2006 He et al. .... D13/147  
D550,160 S \* 9/2007 Fujimoto ..... D13/147  
D599,294 S \* 9/2009 Yang et al. .... D13/147  
D608,288 S \* 1/2010 Zhu et al. .... D13/147  
D618,625 S \* 6/2010 Nagata et al. .... D13/147

**OTHER PUBLICATIONS**

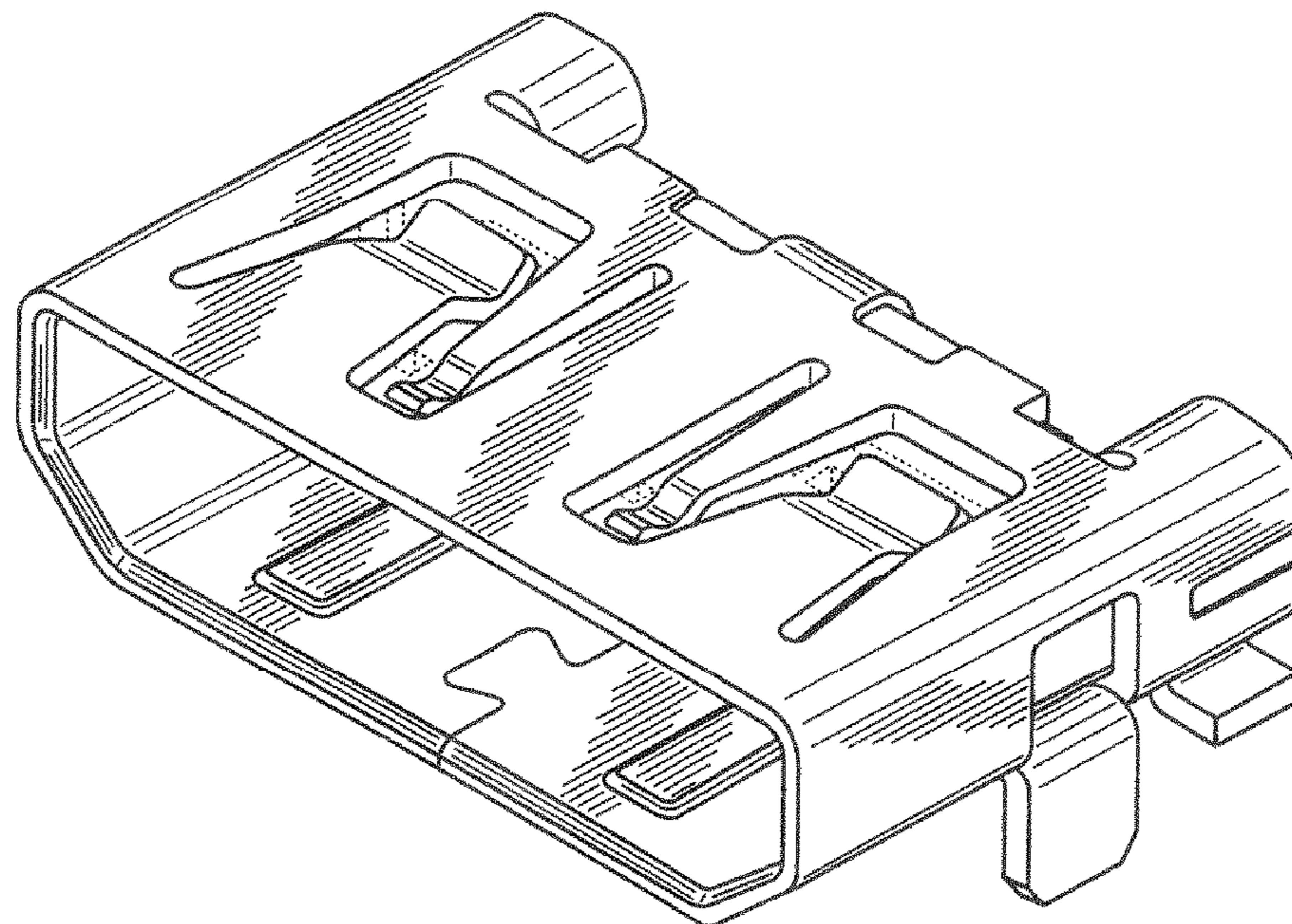
U.S. Appl. No. 29/362,922; First Named Inventor: Takamitsu Wada;  
Title: "Electrical Connector"; filed Jun. 2, 2010.

**1 Claim, 9 Drawing Sheets**

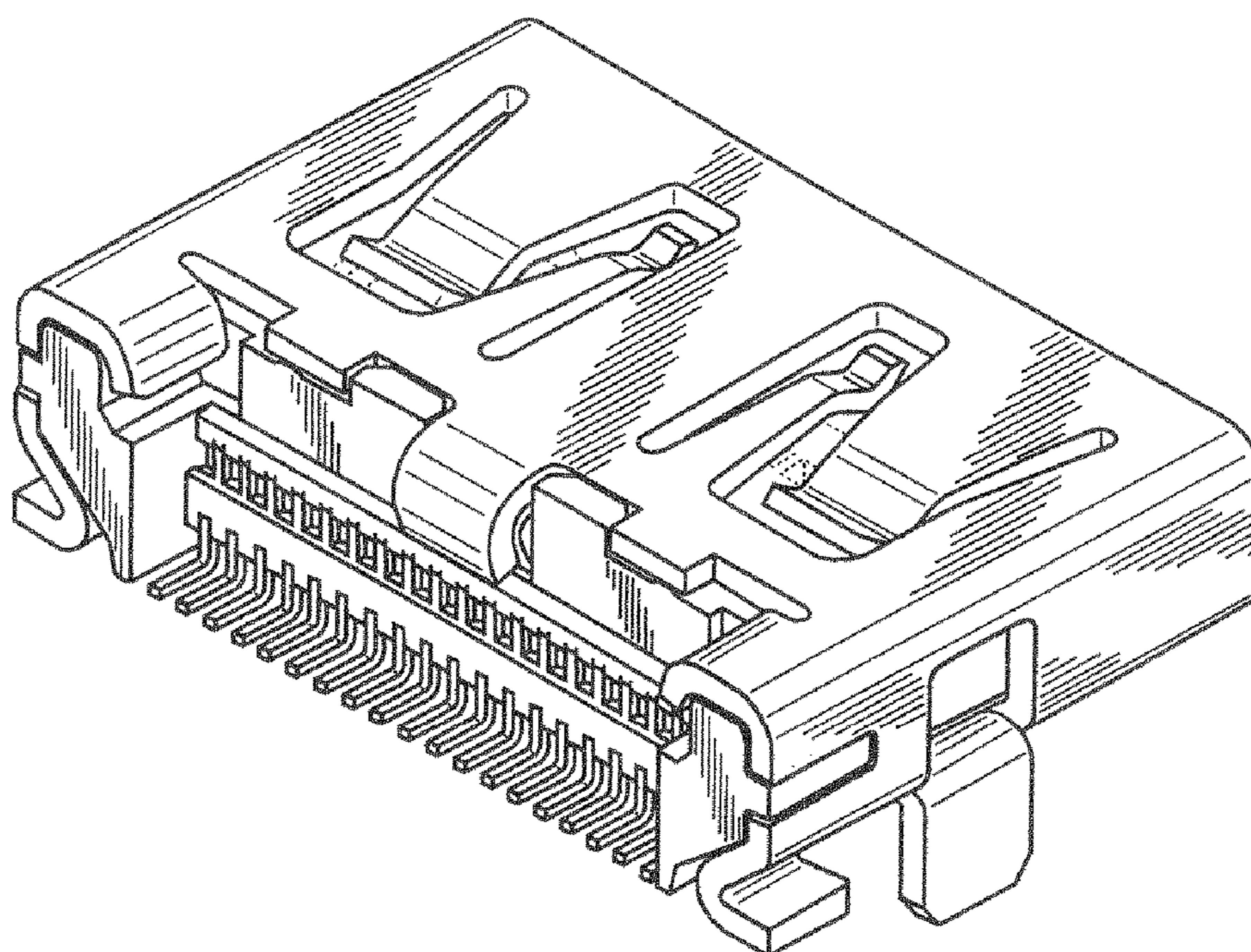




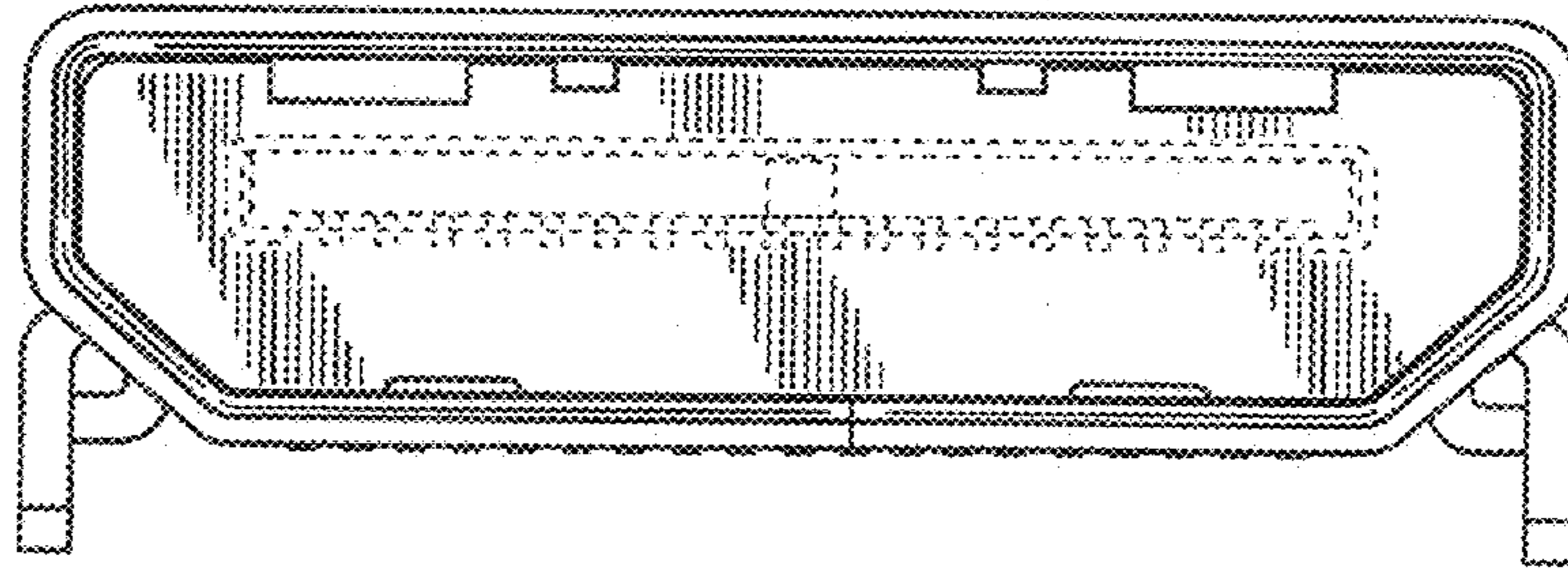
**FIG. 1**



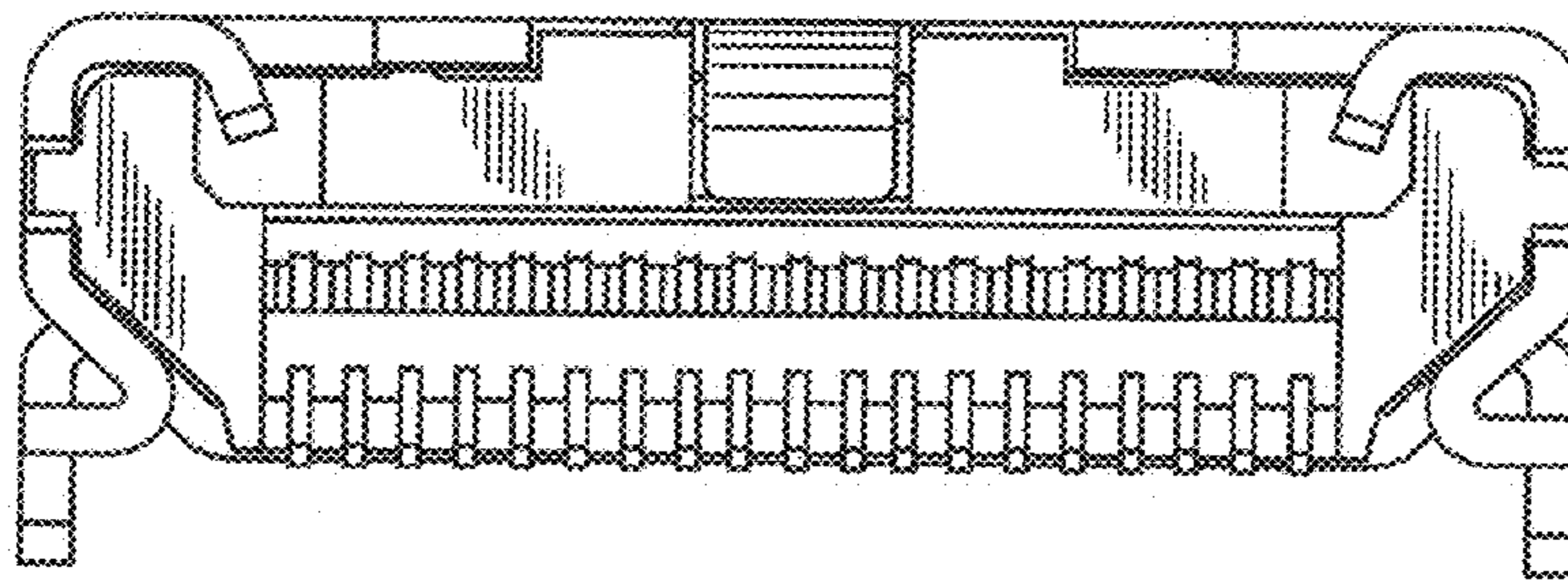
**FIG. 2**



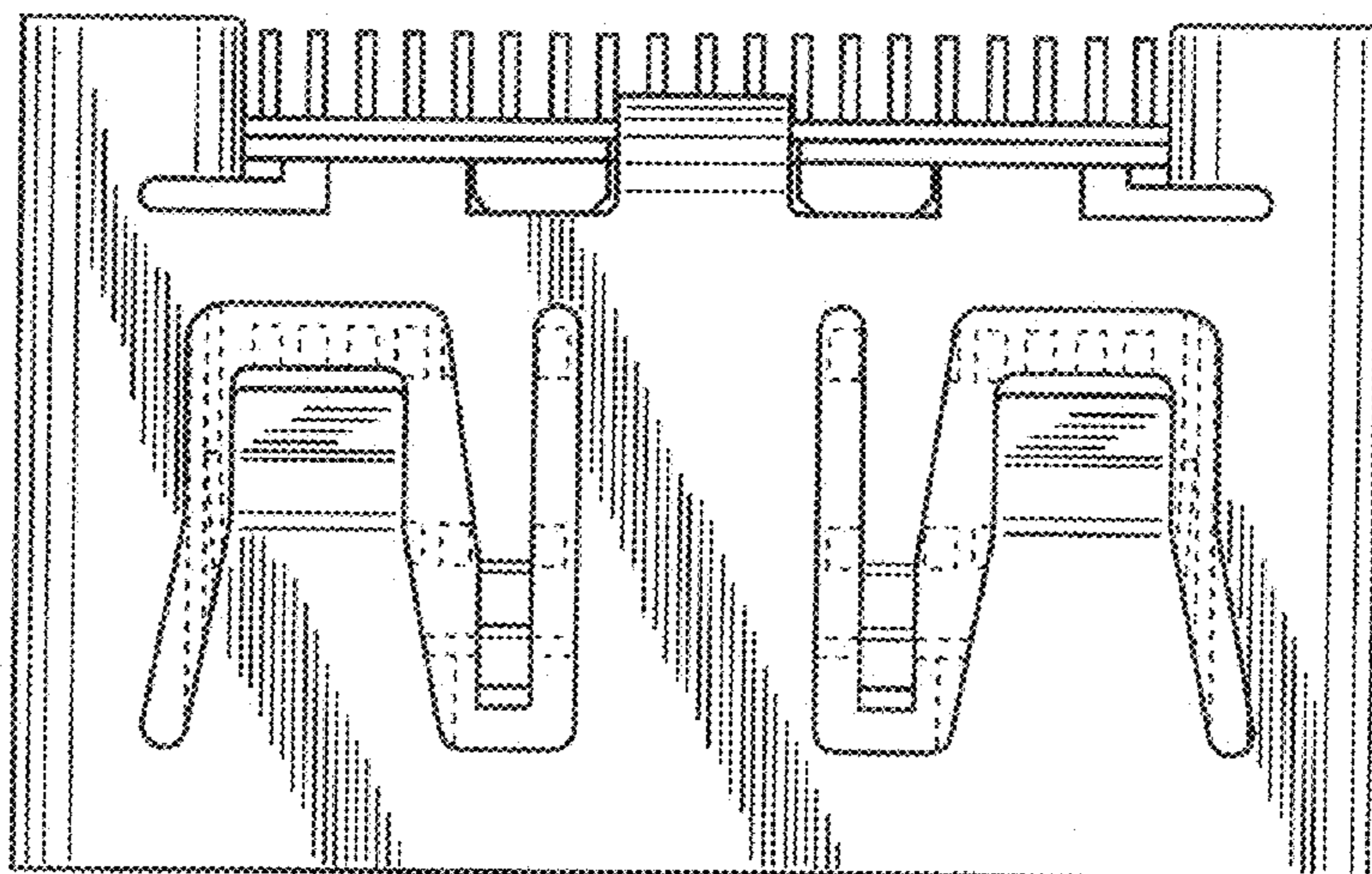
*FIG. 3*



*FIG. 4*

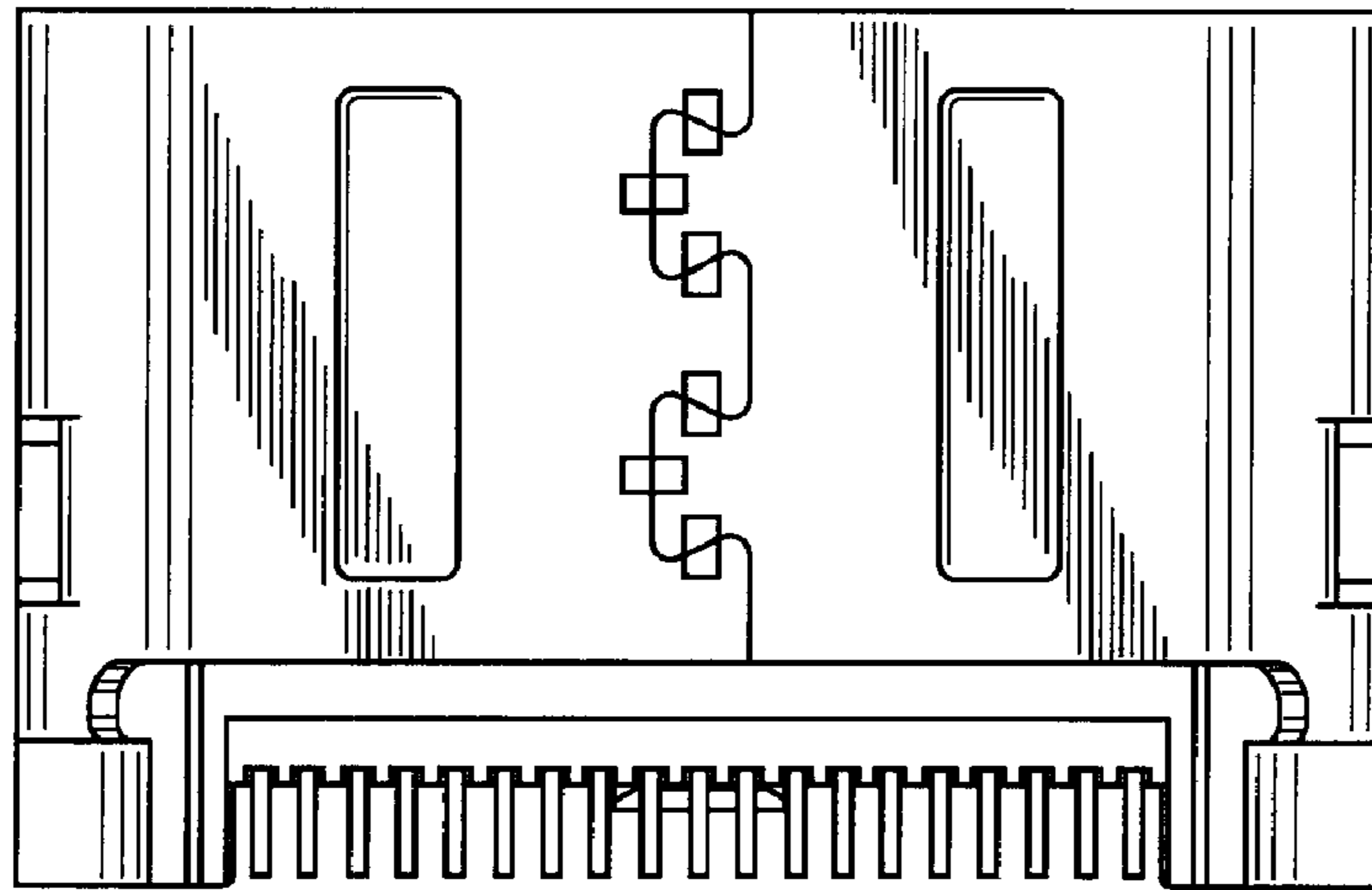


*FIG. 5*

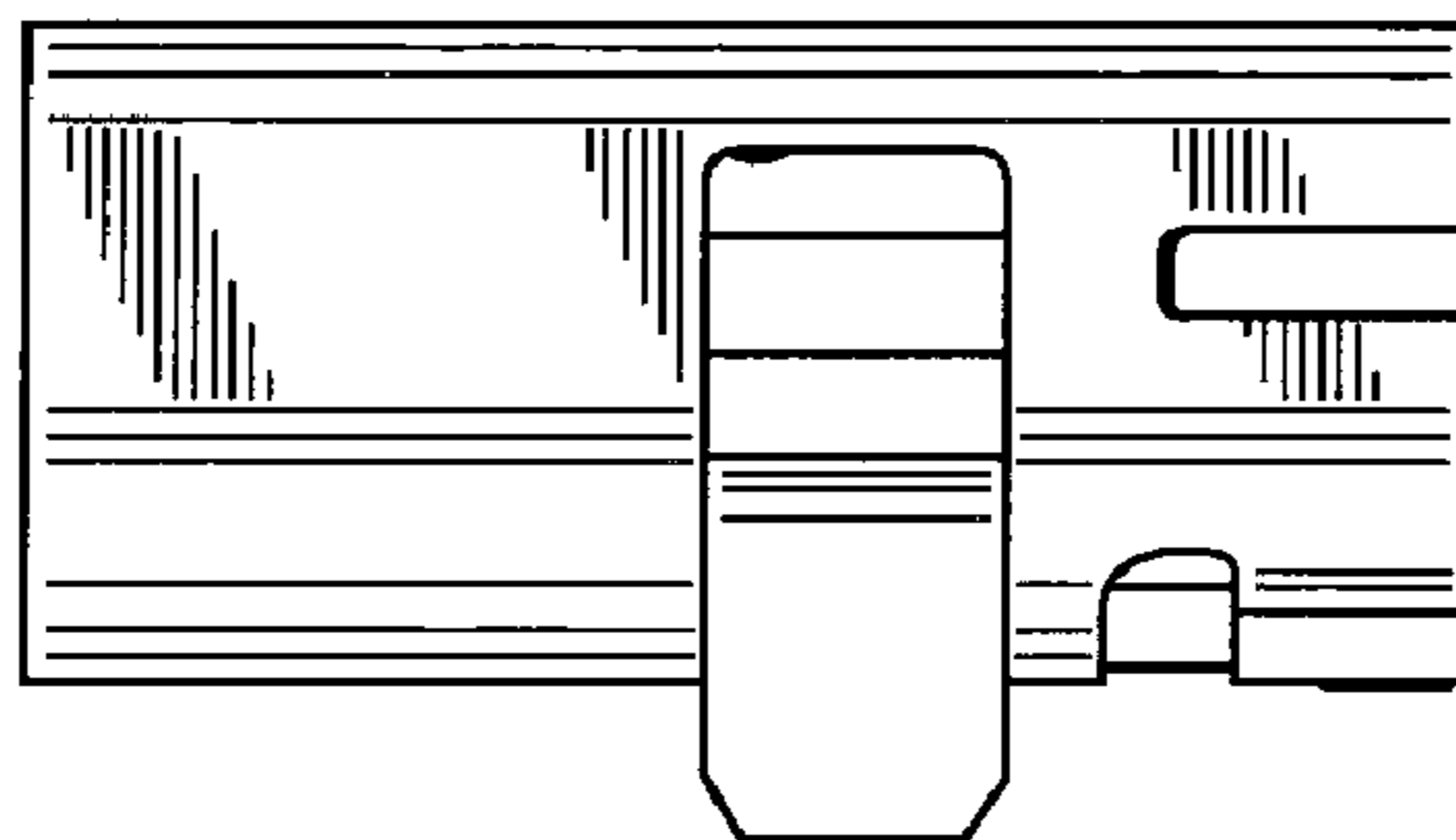




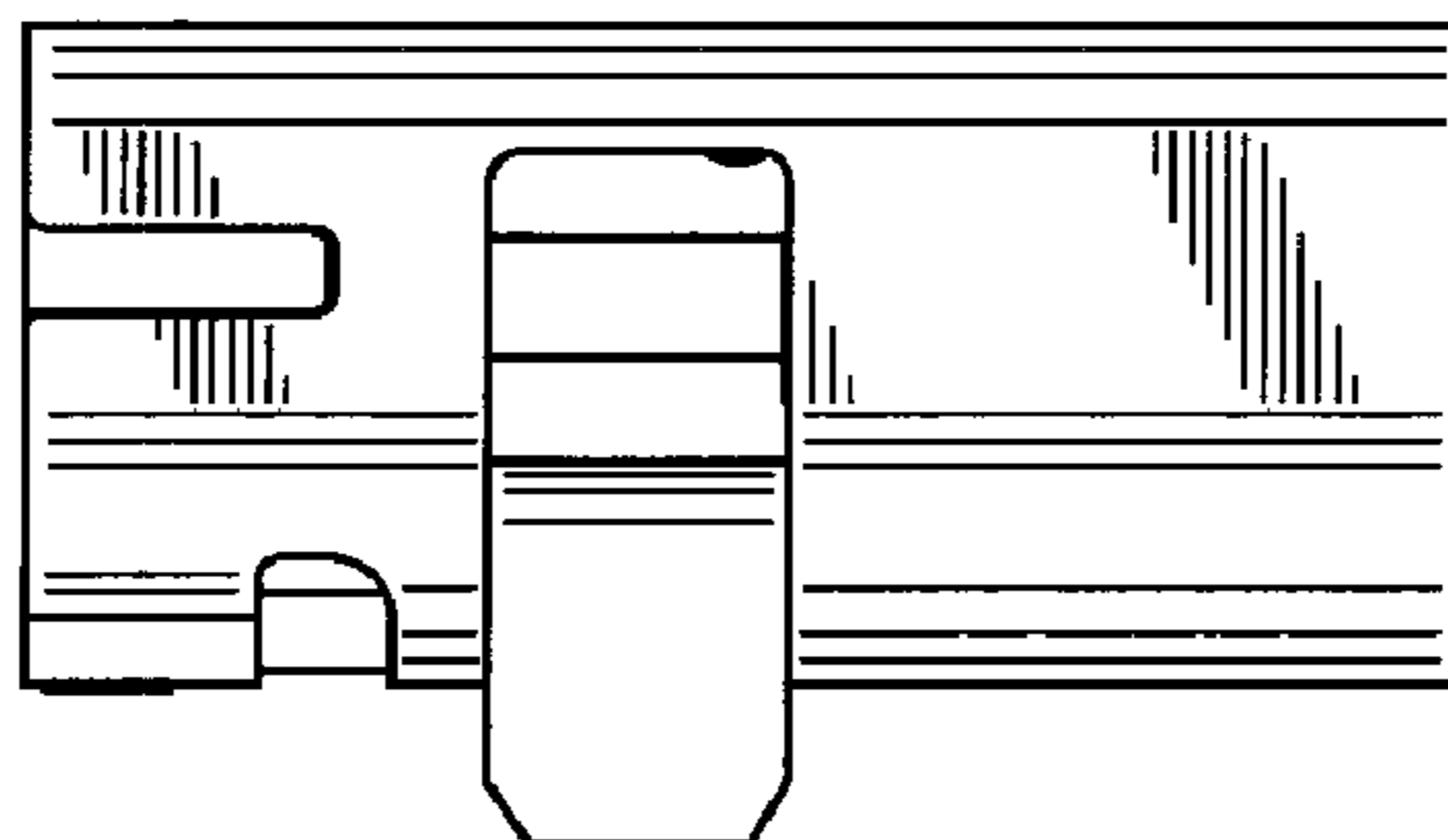
**FIG. 6**



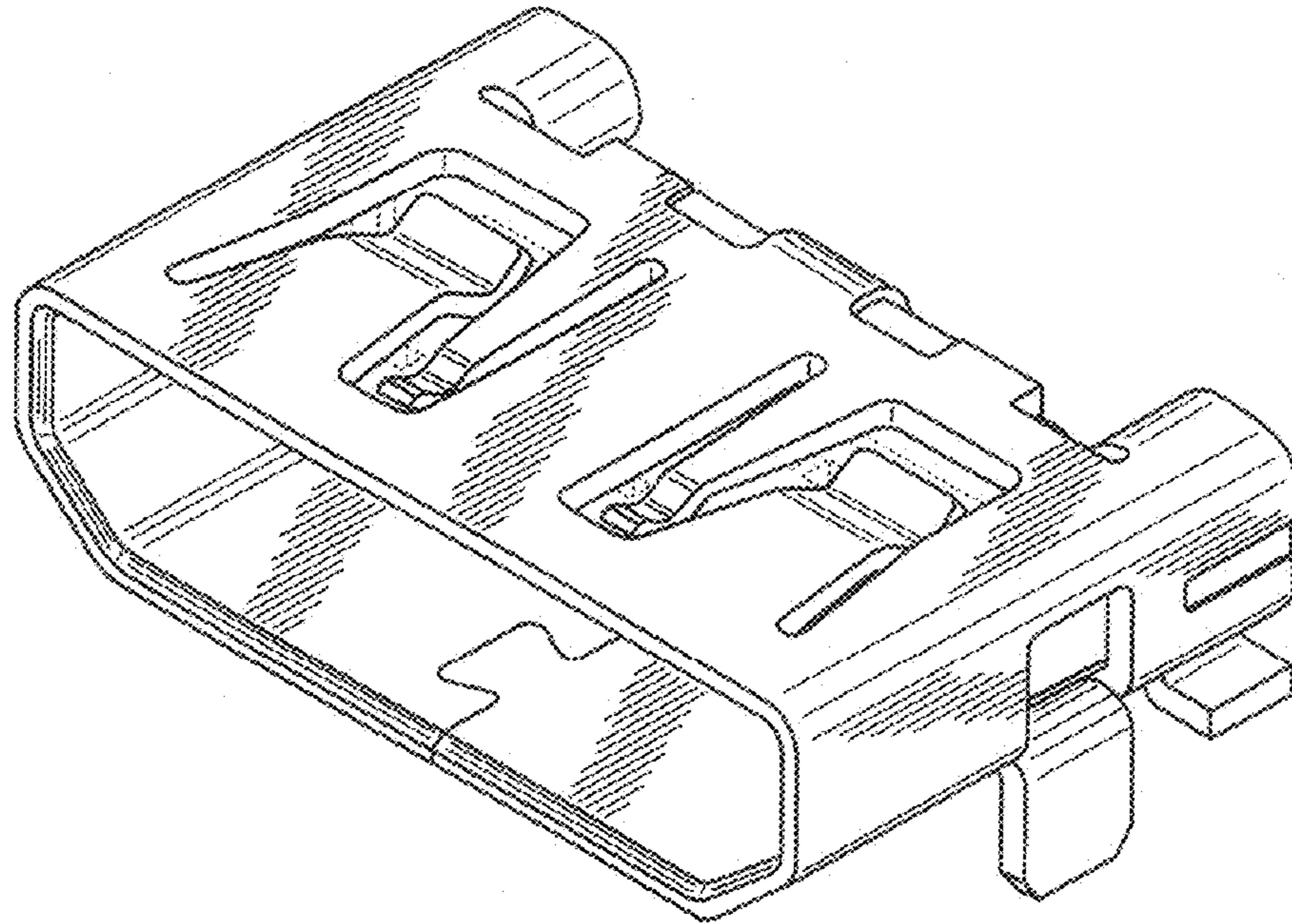
**FIG. 7**



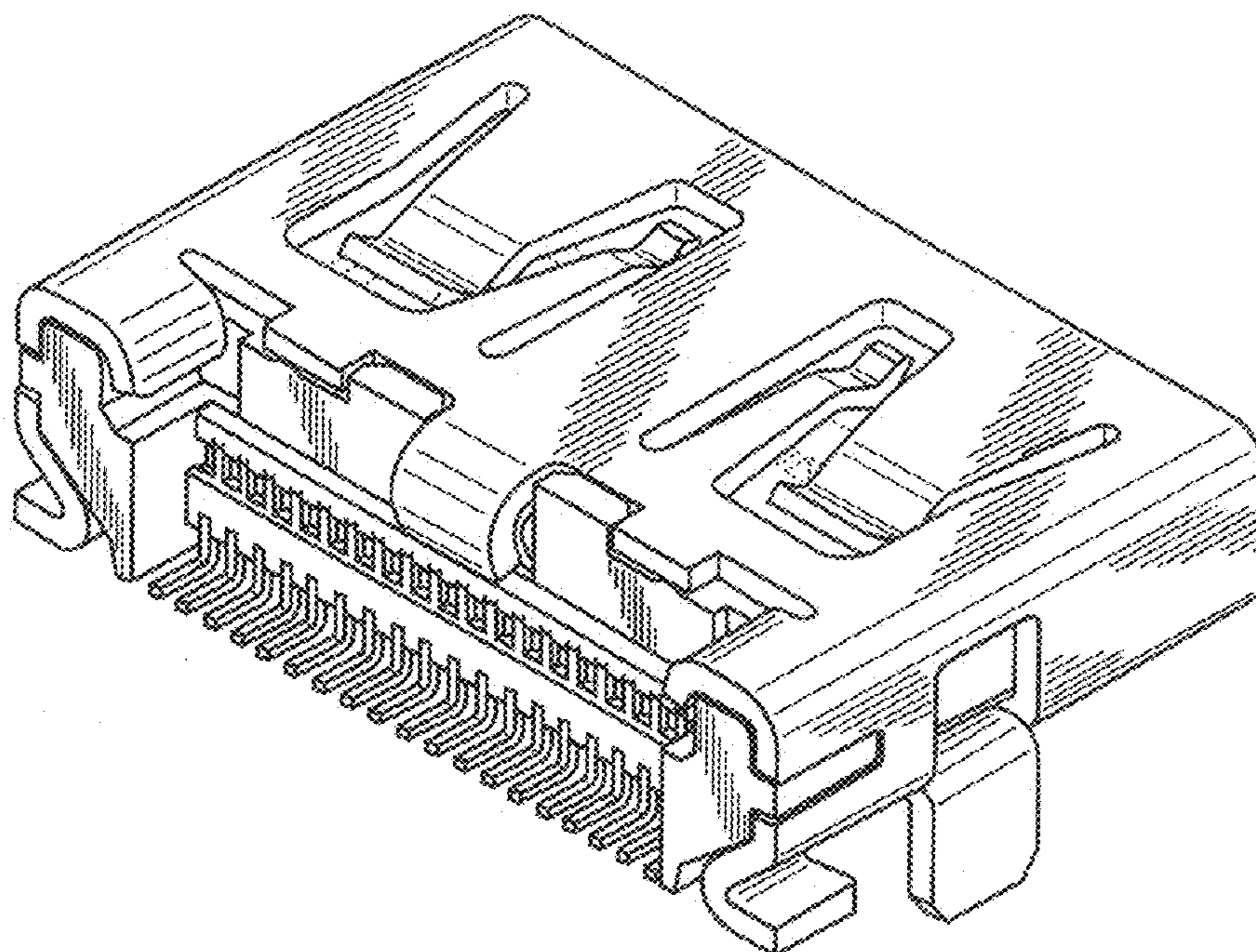
**FIG. 8**



**FIG. 9**

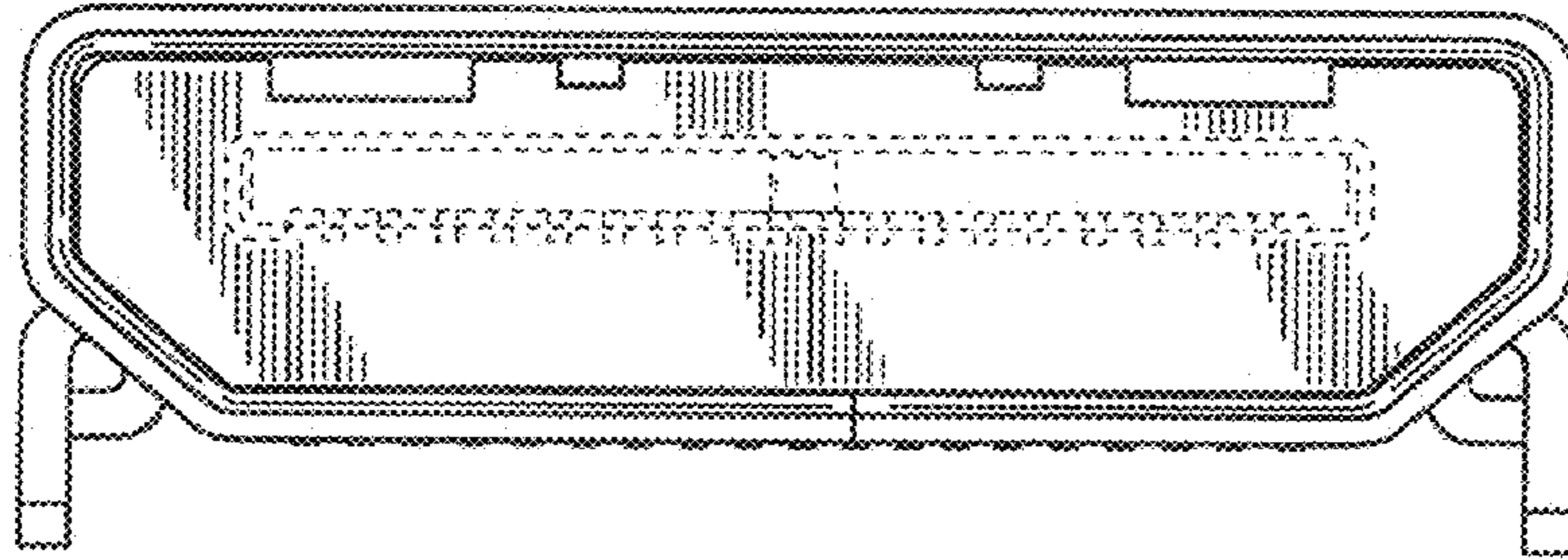


**FIG. 10**

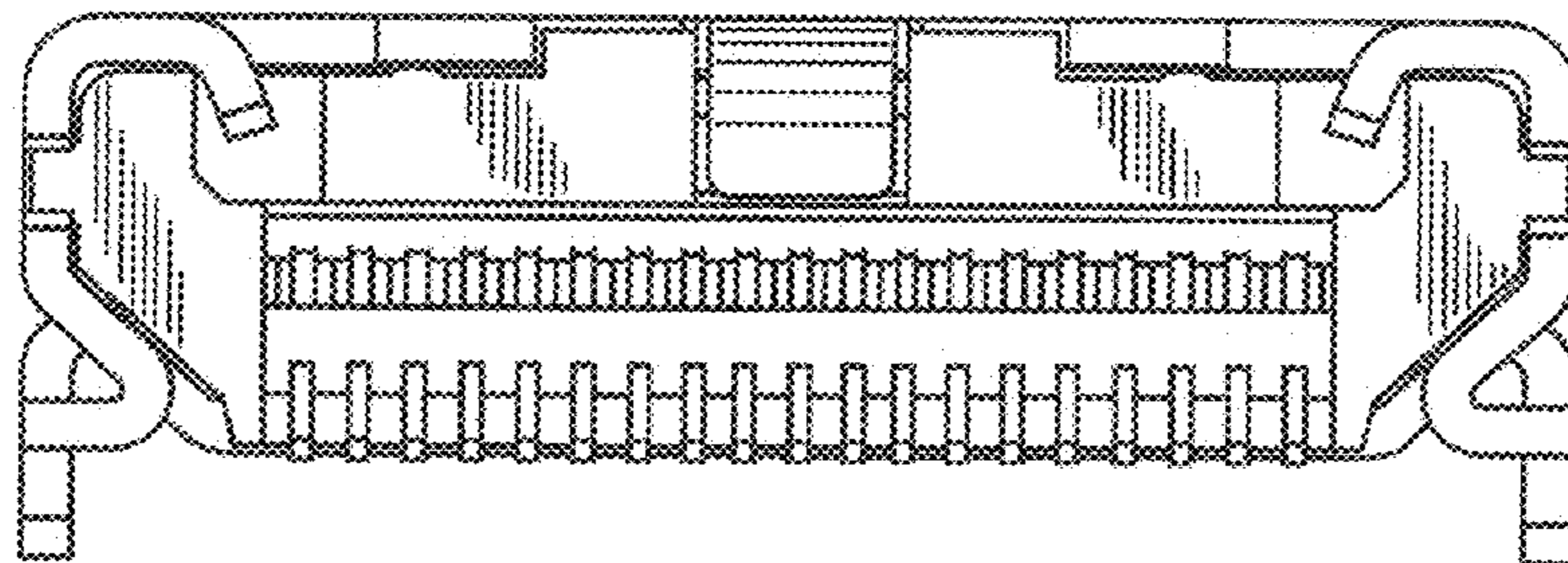




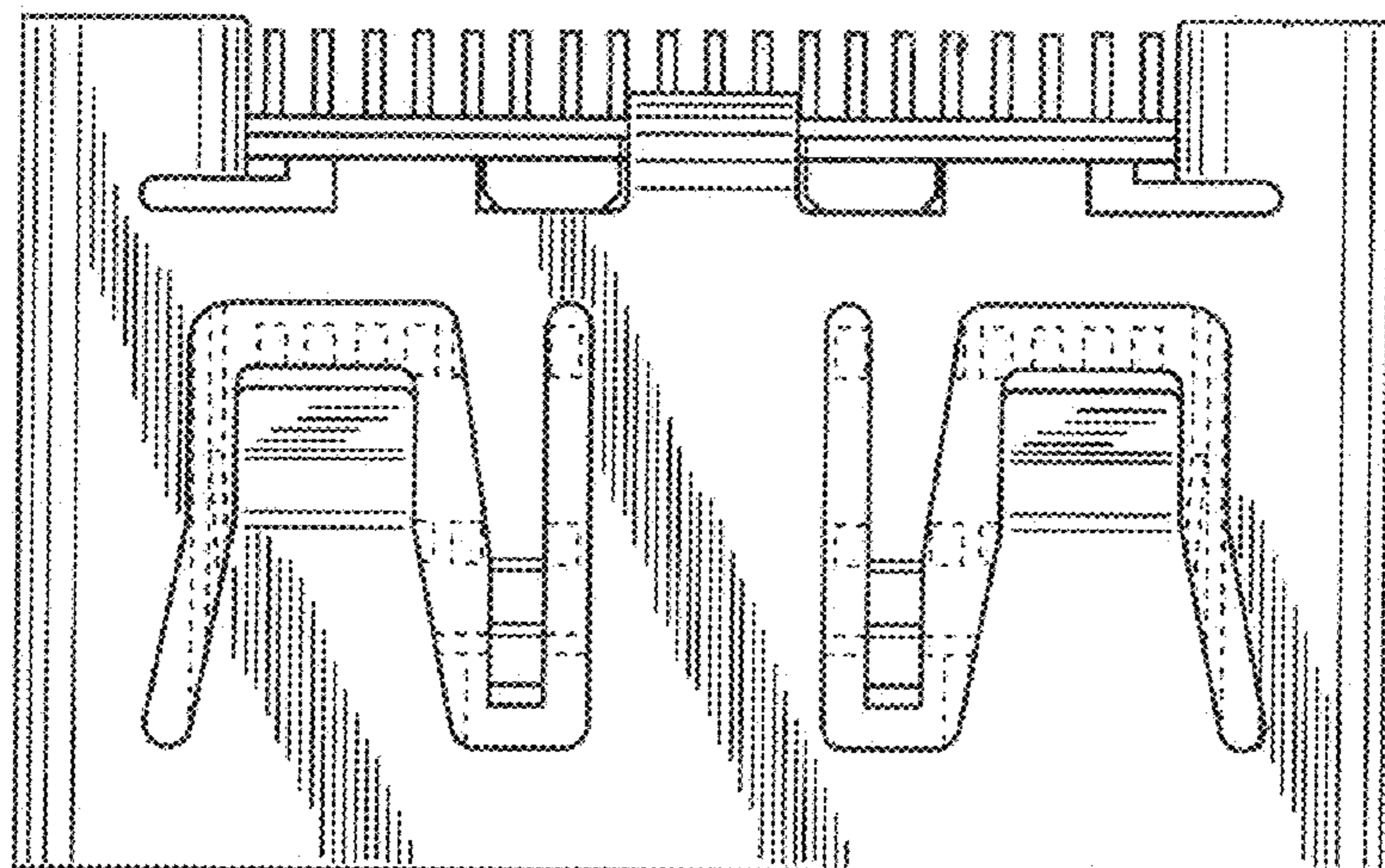
*FIG. 11*



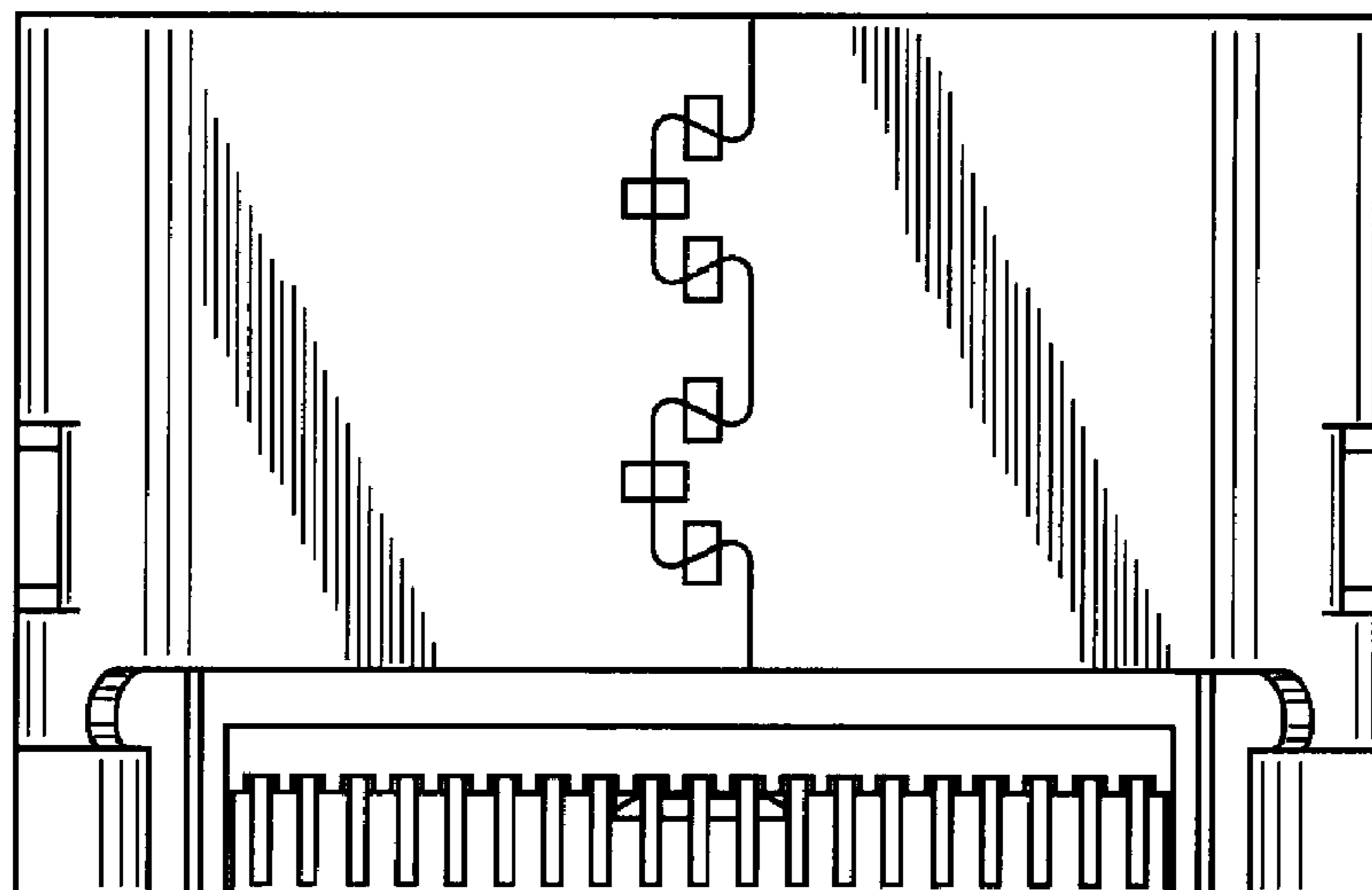
*FIG. 12*



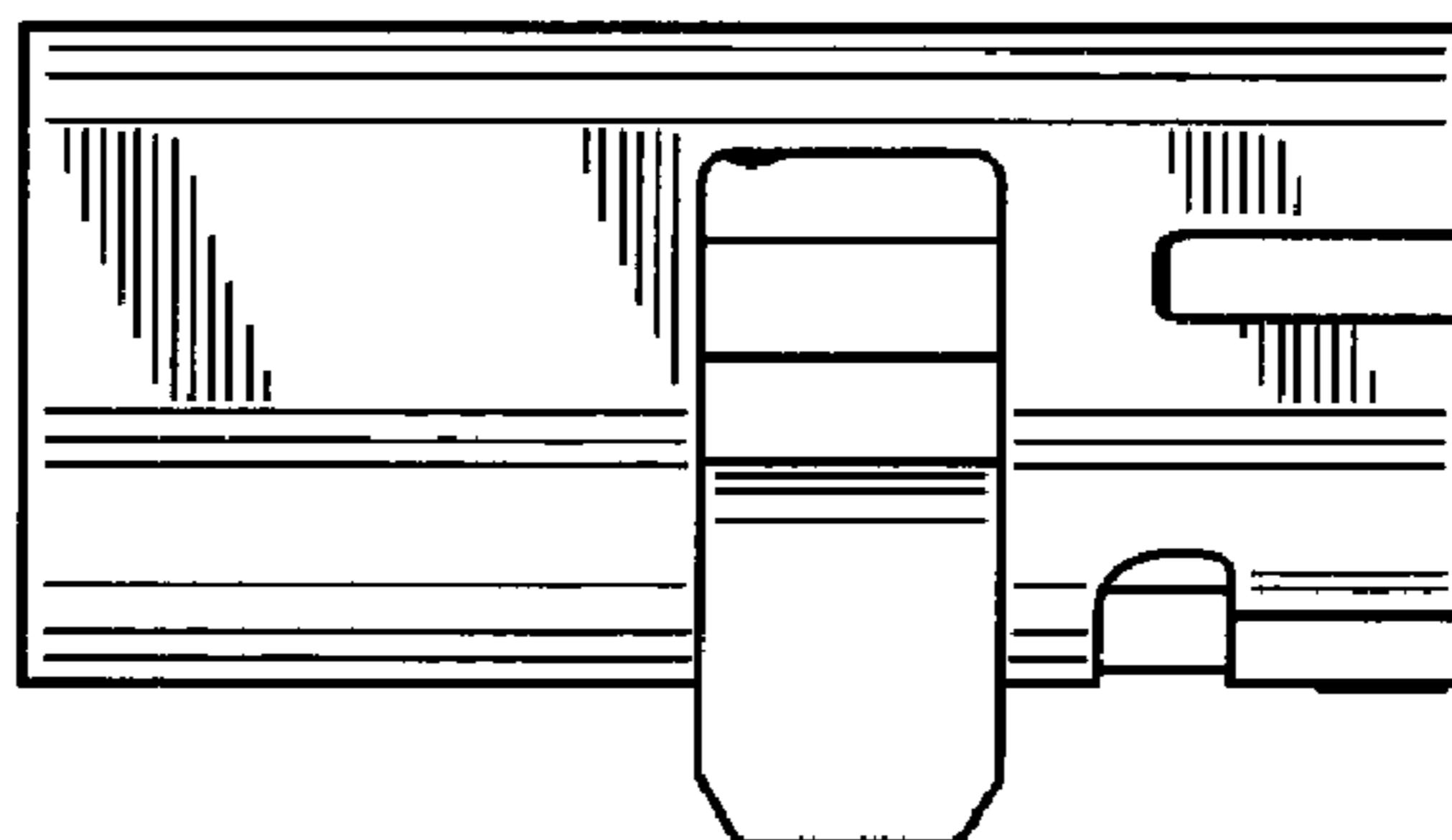
*FIG. 13*



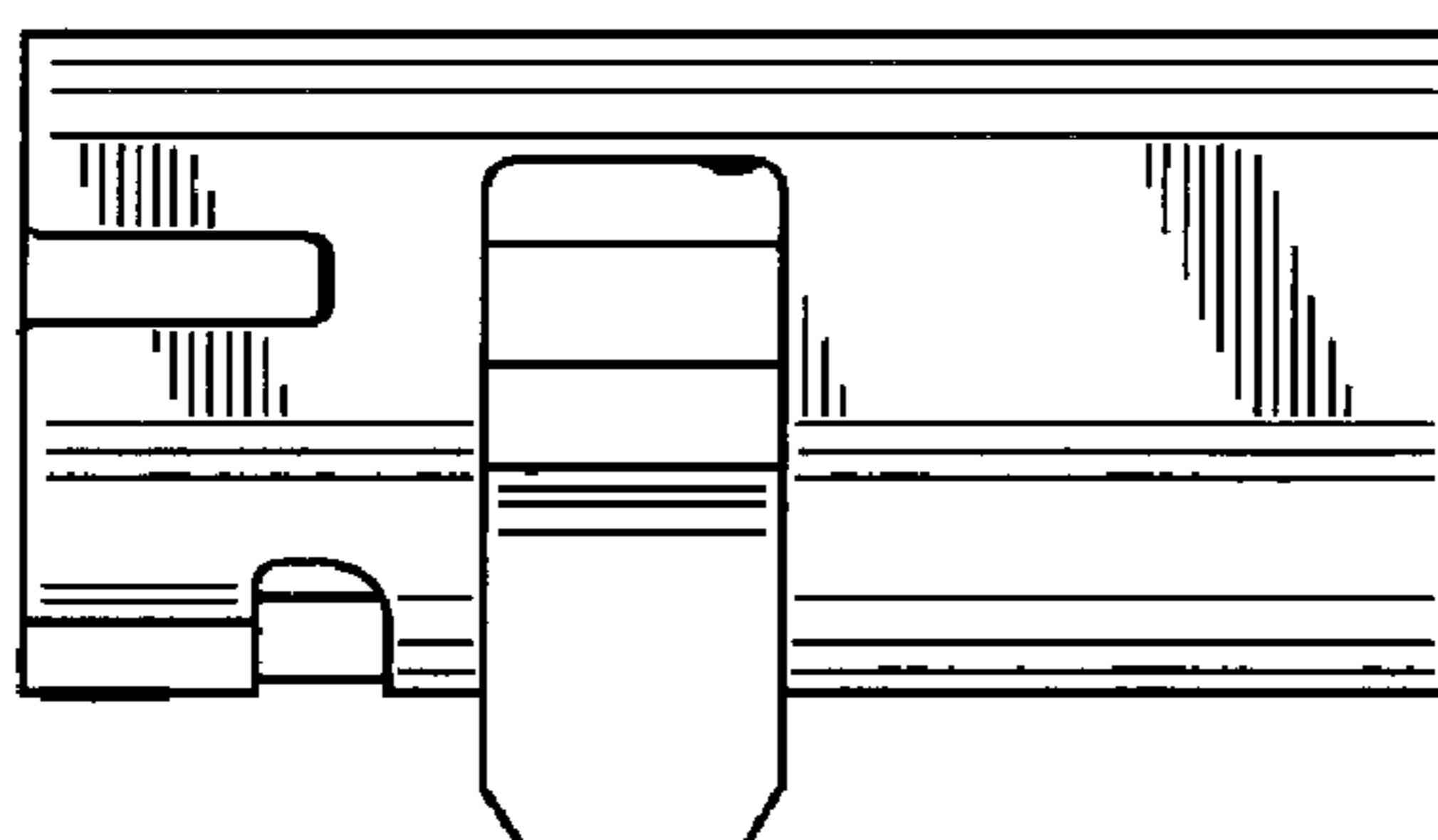
**FIG. 14**



**FIG. 15**

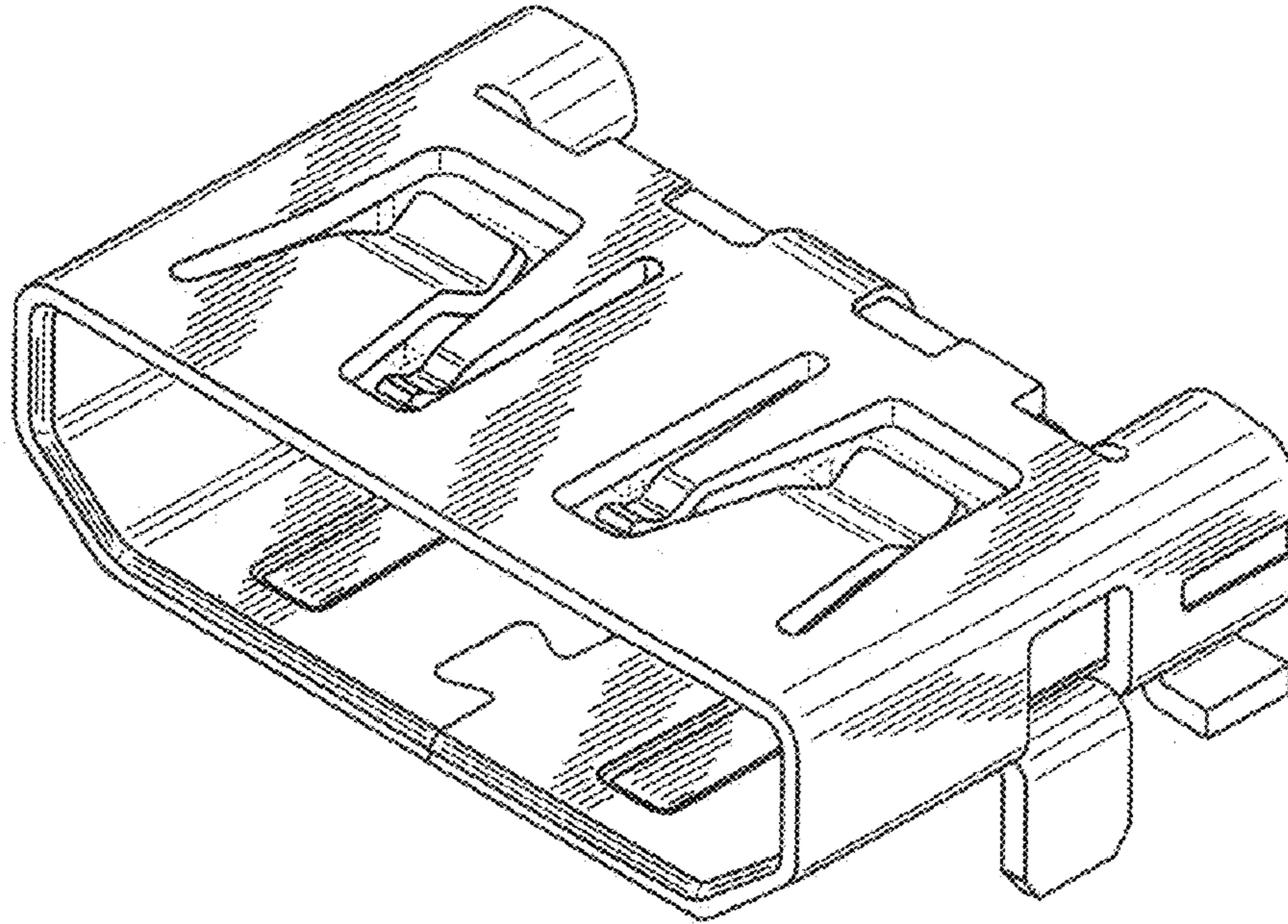


**FIG. 16**

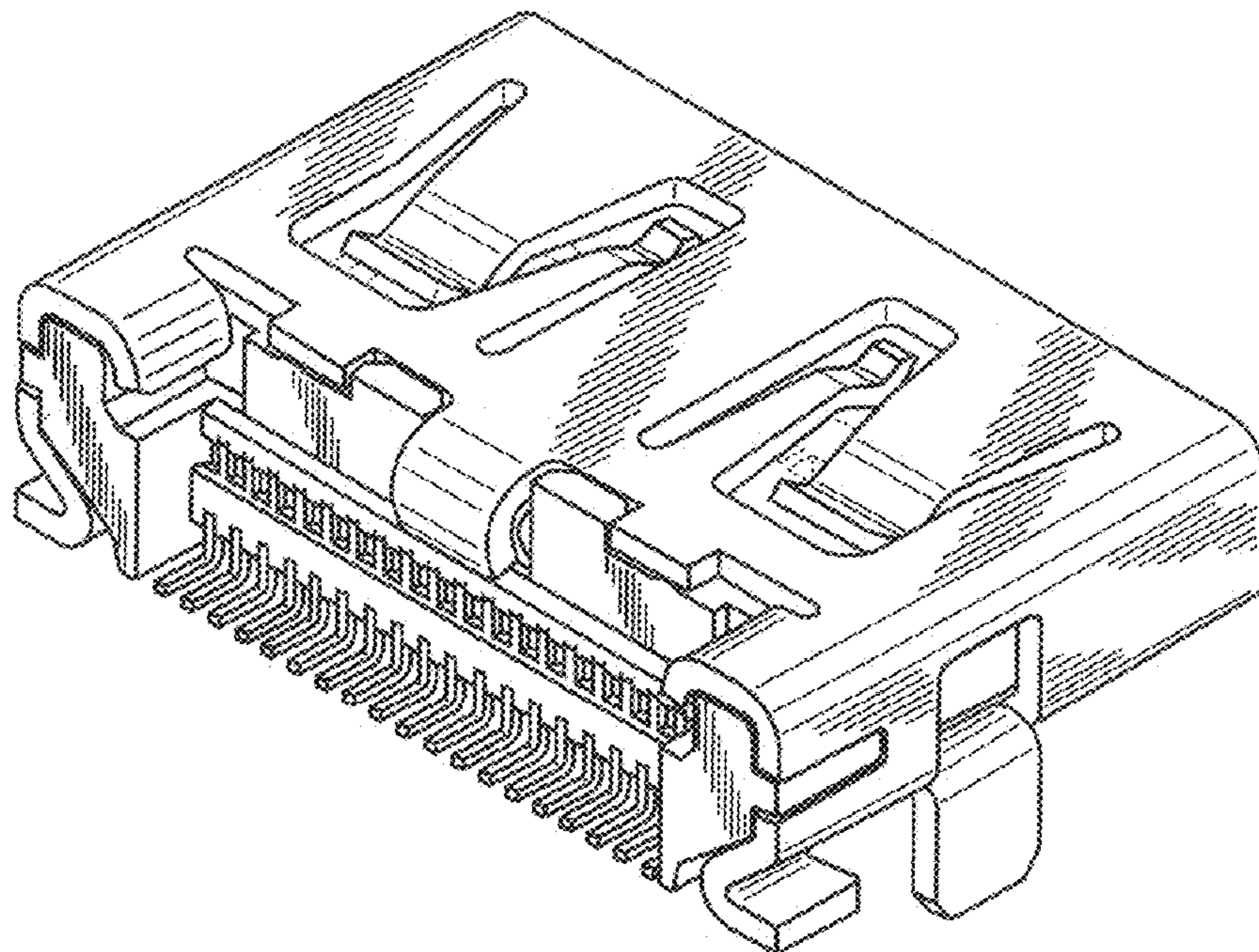




*FIG. 17*

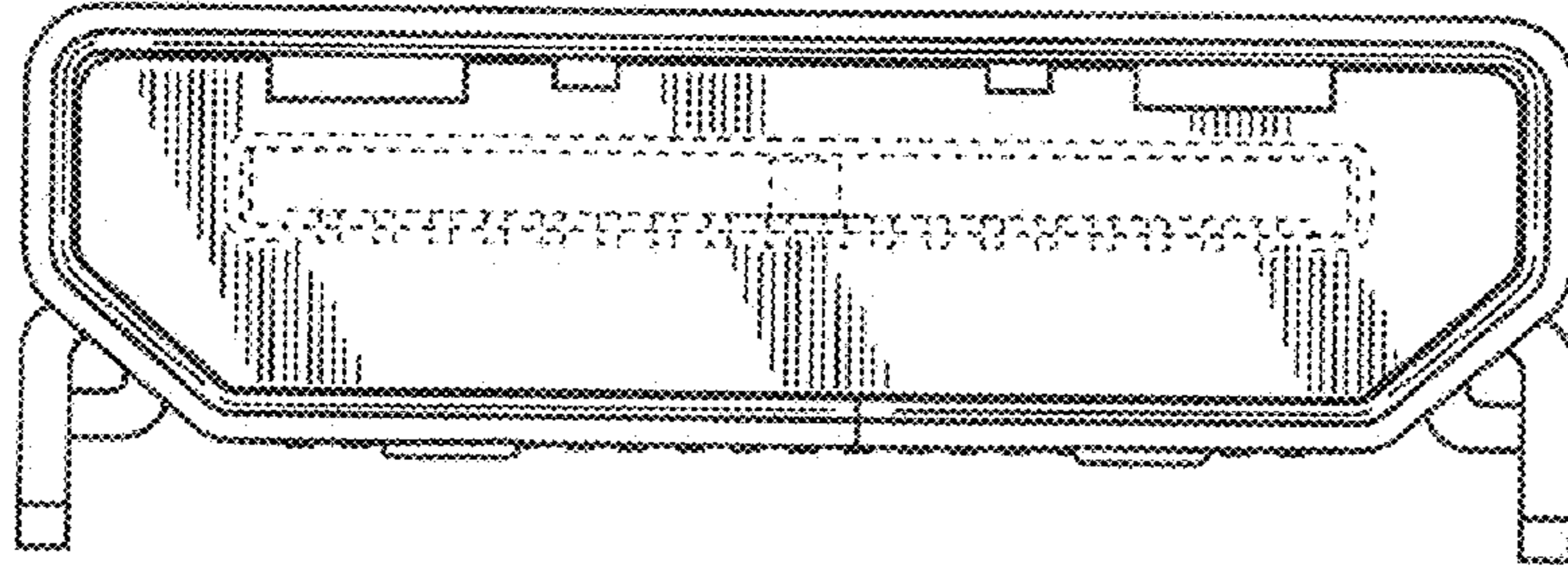


*FIG. 18*

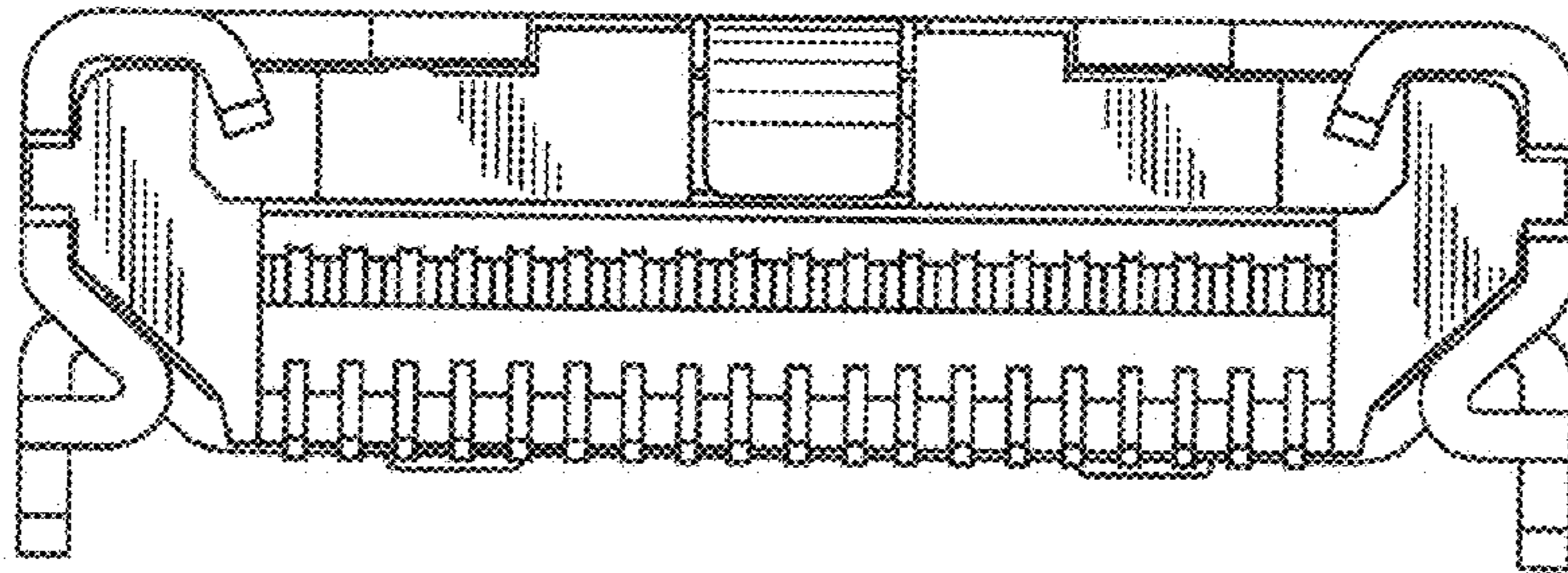




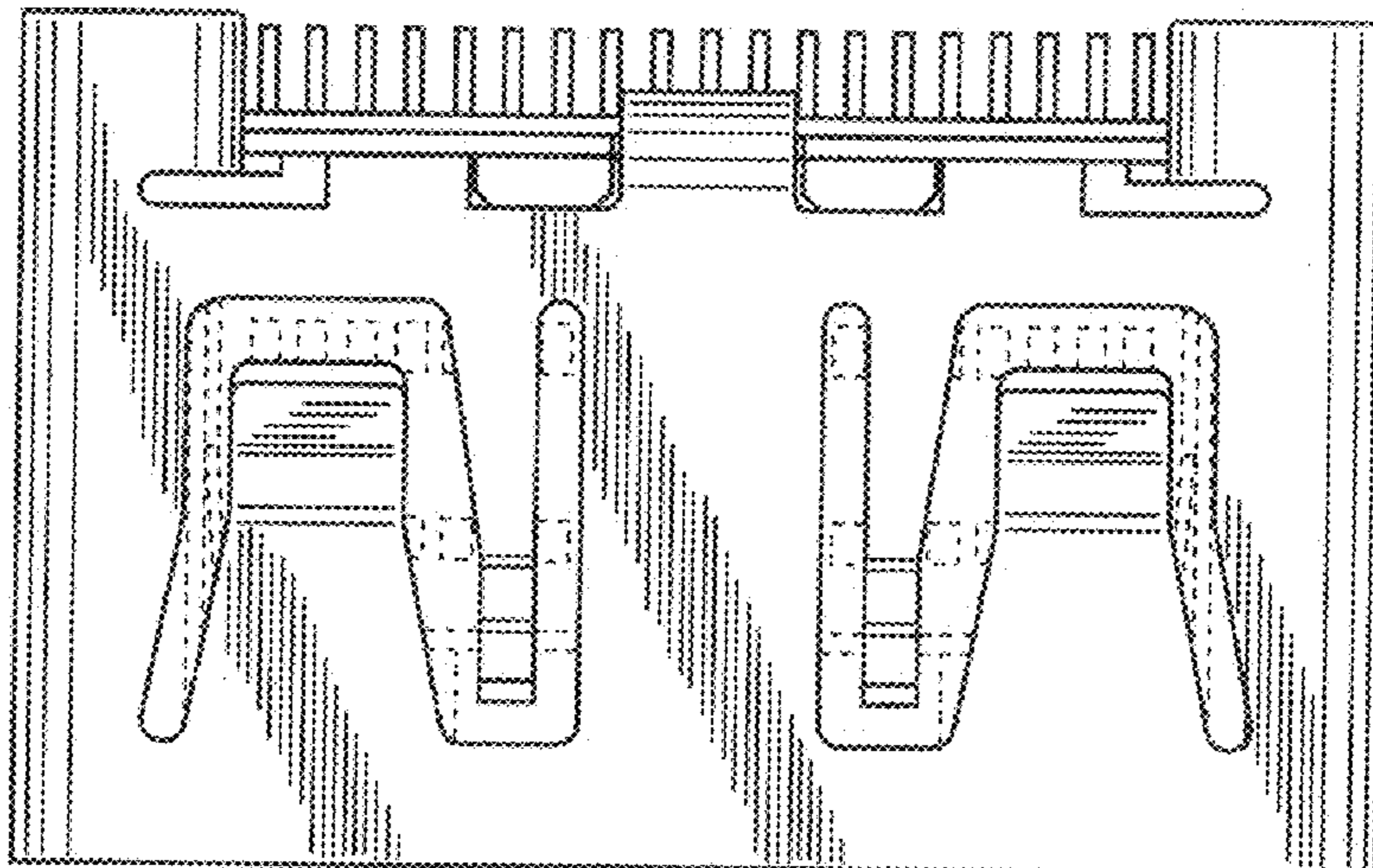
*FIG. 19*



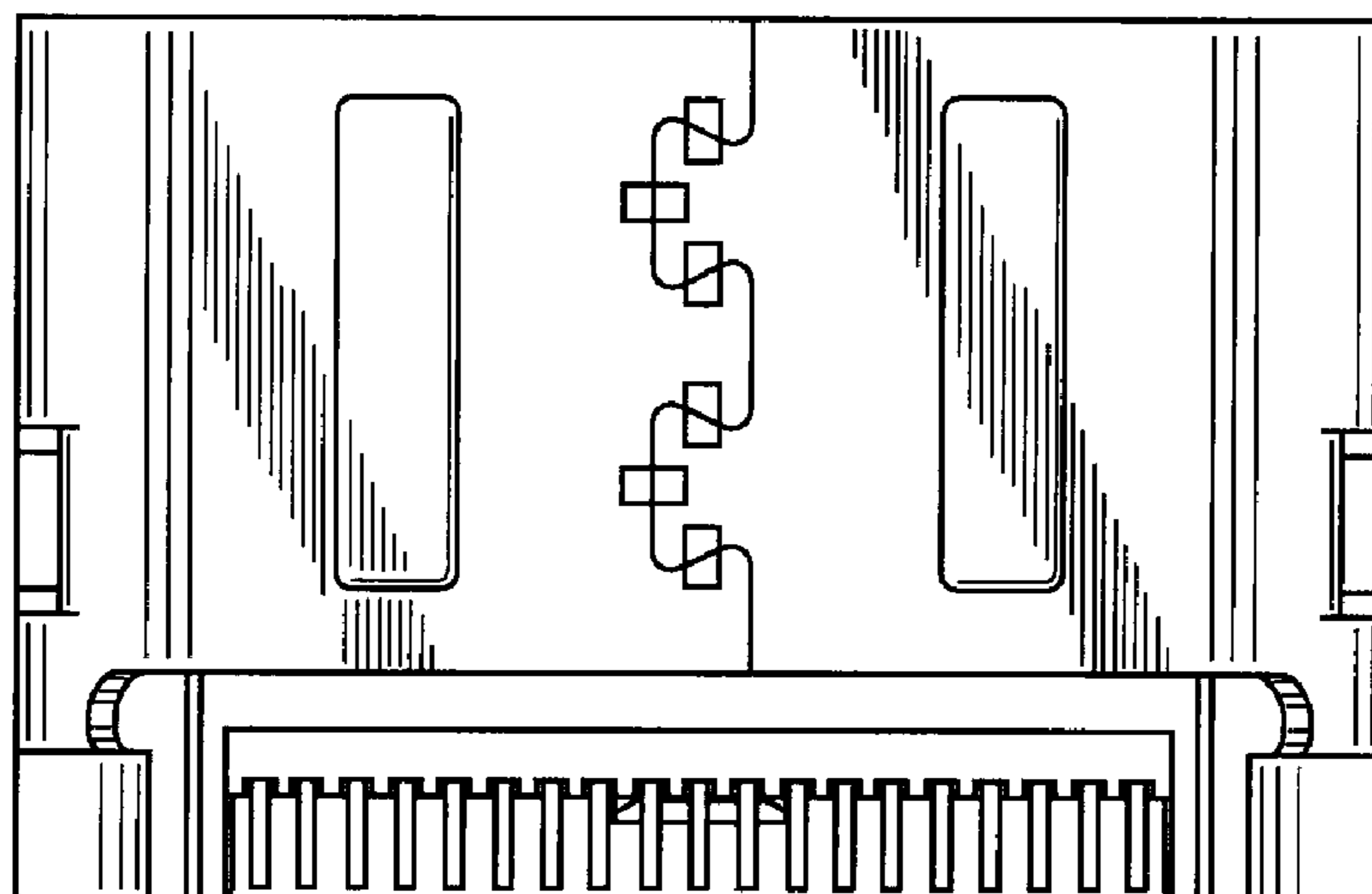
*FIG. 20*



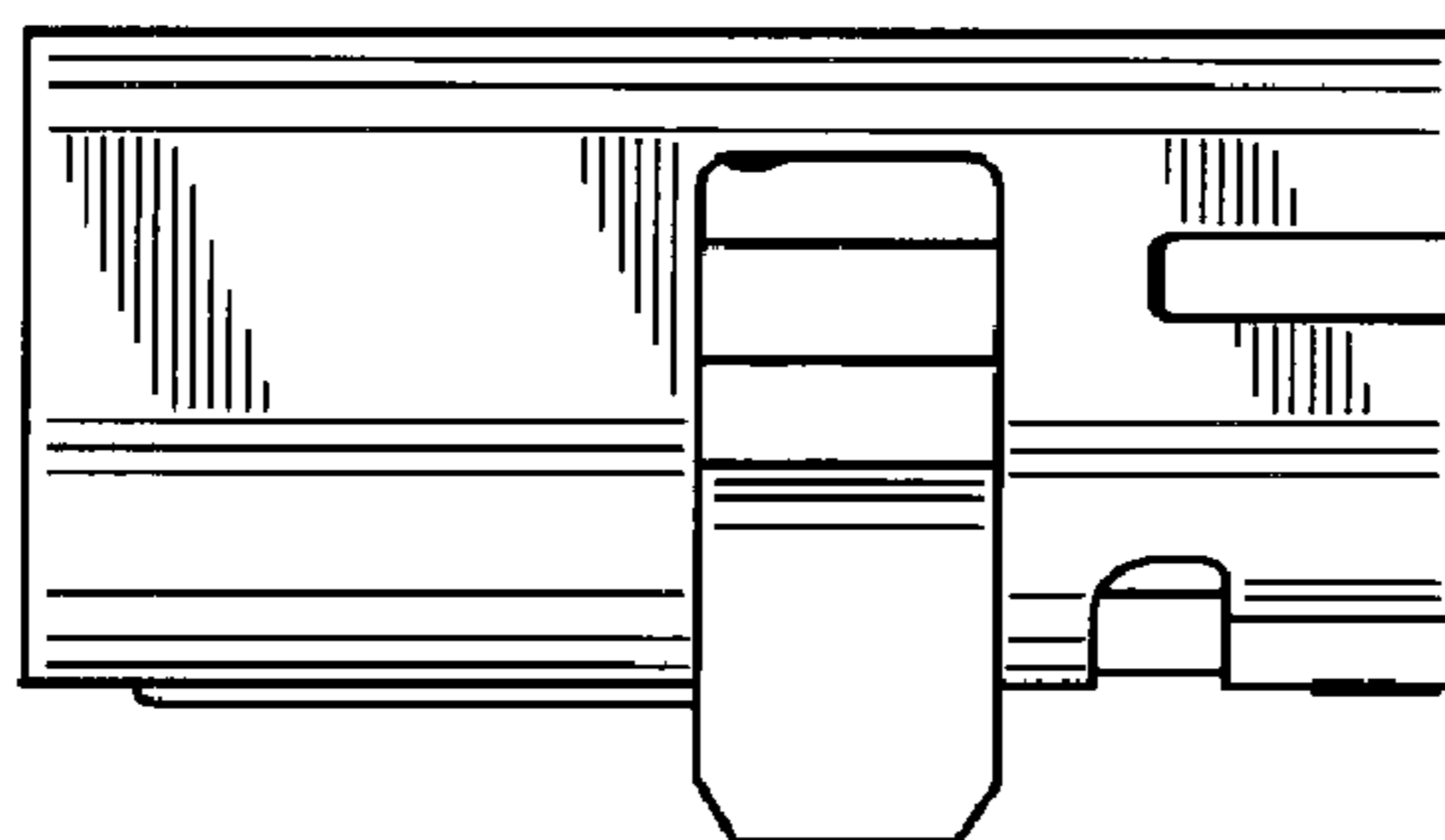
*FIG. 21*



**FIG. 22**



**FIG. 23**



**FIG. 24**

