



US00D639244S

(12) **United States Design Patent**  
**Byrne**

(10) **Patent No.:** **US D639,244 S**  
(45) **Date of Patent:** **\*\* \*Jun. 7, 2011**

(54) **ONE TOUCH AND EXPANDABLE POWER AND DATA CENTER**

(76) Inventor: **Norman R. Byrne**, Ada, MI (US)

(\*) Notice: This patent is subject to a terminal disclaimer.

(\*\*) Term: **14 Years**

(21) Appl. No.: **29/228,624**

(22) Filed: **Apr. 26, 2005**

(51) **LOC (9) Cl.** ..... **13-03**

(52) **U.S. Cl.** ..... **D13/139.4**

(58) **Field of Classification Search** ..... D13/139.4,  
D13/162, 164, 184; D14/304, 5 R, 5 A, 627;  
361/628, 631, 643, 644, 673; 439/131, 135,  
439/142

See application file for complete search history.

(56) **References Cited**

**U.S. PATENT DOCUMENTS**

676,622 A	6/1901	Gochnauer	
2,811,574 A	10/1957	Guerrero	
2,861,857 A	11/1958	Lee	
3,131,512 A	5/1964	MacLeod, Jr.	
3,353,137 A	11/1967	Miller	
3,433,886 A	3/1969	Myers	
3,622,684 A	11/1971	Press	
3,646,244 A	2/1972	Cole	
3,794,956 A	2/1974	Dubreuil	
D233,729 S *	11/1974	De Forrest	D8/353
3,892,095 A	7/1975	Vankuik	
3,972,579 A	8/1976	Kohaut	
3,992,070 A	11/1976	Dunn	
4,059,321 A	11/1977	Rasmussen	
4,272,643 A	6/1981	Carroll	
4,372,629 A	2/1983	Propst	
4,551,198 A	11/1985	Wiley	
4,551,577 A	11/1985	Byrne	
4,747,788 A	5/1988	Byrne	
4,792,881 A	12/1988	Wilson	
4,828,513 A	5/1989	Morrison	

4,967,041 A	10/1990	Bowman
4,984,982 A	1/1991	Brownlie
4,986,762 A	1/1991	Keith
5,023,396 A	6/1991	Bartee
5,114,365 A	5/1992	Thompson
5,122,069 A	6/1992	Brownlie
5,230,552 A	7/1993	Schipper
5,231,562 A	7/1993	Pierce
5,351,173 A	9/1994	Byrne
D353,363 S	12/1994	Toby
D355,890 S	2/1995	Lentz
5,387,761 A	2/1995	Simonis

(Continued)

*Primary Examiner* — Rosemary K Tarcza

(74) *Attorney, Agent, or Firm* — Varnum LLP

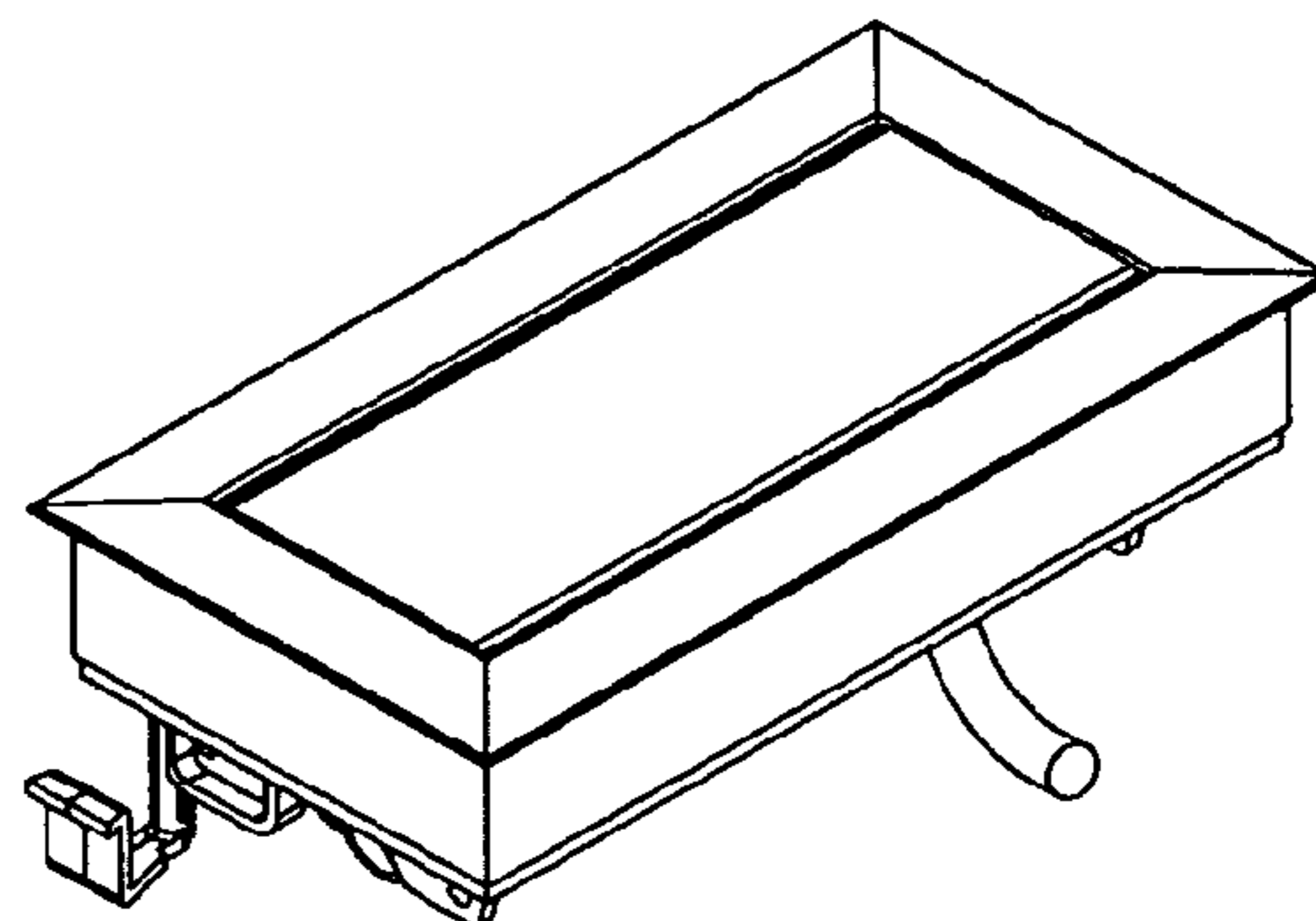
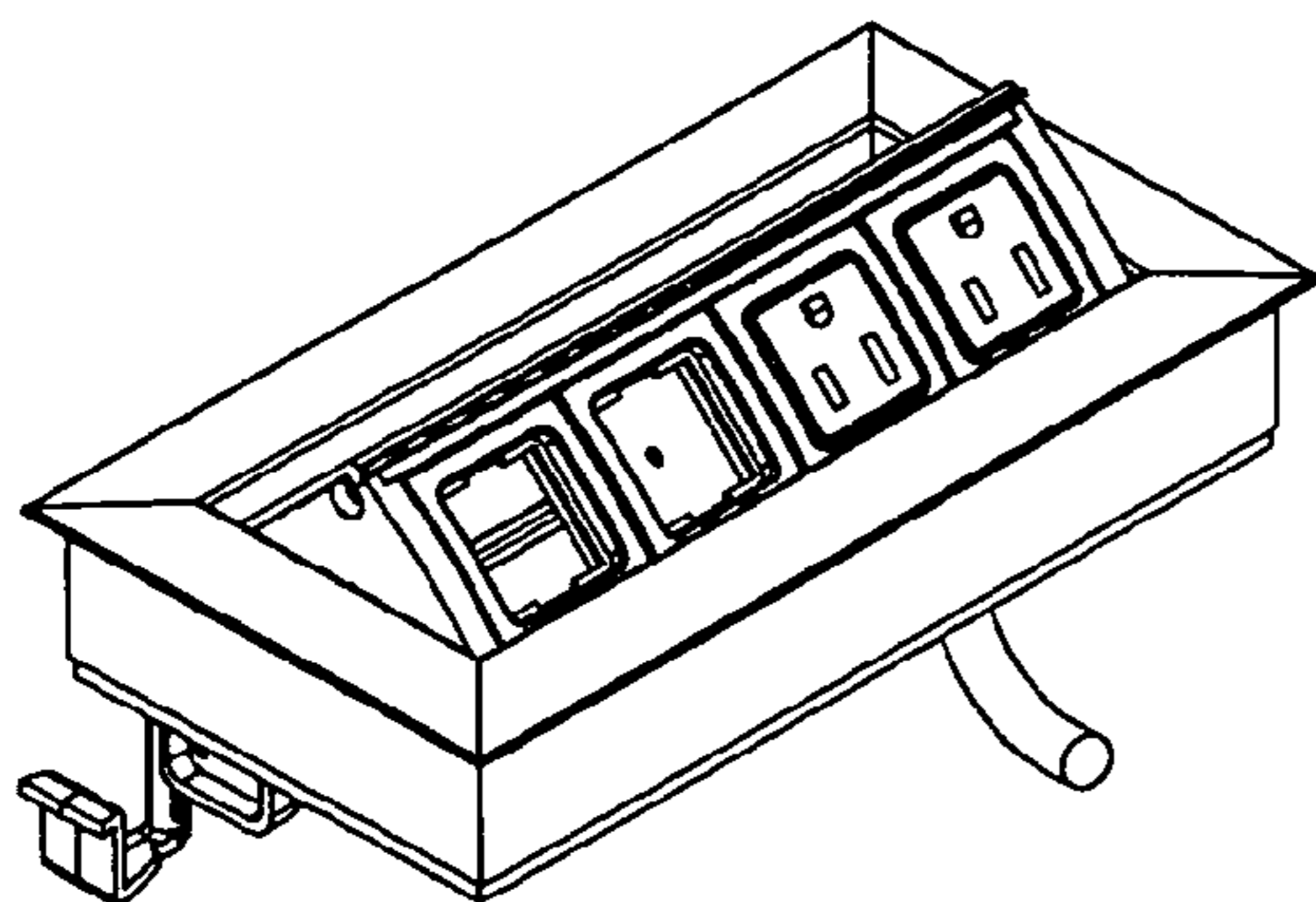
(57) **CLAIM**

The ornamental design for a one touch and expandable power and data center, as shown and described.

**DESCRIPTION**

FIG. 1 is a perspective view of a one touch and expandable power and data center in accordance with my invention; FIG. 2 is a perspective view of a one touch and expandable power and data center in accordance with my new invention, shown in a closed position; FIG. 3 is a top plan view of the one touch and expandable power and data center in accordance with my invention; FIG. 4 is a left side view of the one touch and expandable power and data center in accordance with my invention; FIG. 5 is a front elevation view of the one touch and expandable power and data center in accordance with my invention; FIG. 6 is a right side elevation view of the one touch and expandable power and data center in accordance with my invention; FIG. 7 is a bottom plan view of the one touch and expandable power and data center in accordance with my invention; and, FIG. 8 is an upside down rear elevation view of the one touch and expandable power and data center in accordance with my invention.

**1 Claim, 3 Drawing Sheets**



# US D639,244 S

Page 2

## U.S. PATENT DOCUMENTS

5,516,298	A	5/1996	Smith		
D370,622	S	6/1996	Byrne		
D372,018	S	7/1996	Byrne		
5,705,772	A	1/1998	Brown		
5,709,156	A	1/1998	Gevaert		
D392,254	S	3/1998	Gevaert		
5,757,668	A	5/1998	Zhu		
5,980,279	A *	11/1999	Muller	439/142	
6,028,267	A	2/2000	Byrne		
D437,827	S *	2/2001	Gershfeld	D13/139.4	
6,290,518	B1	9/2001	Byrne		
D455,716	S *	4/2002	Gershfeld	D13/139.4	
D457,137	S *	5/2002	Gershfeld	D13/139.4	
D460,736	S *	7/2002	Pincek et al.	D13/139.4	
D466,868	S *	12/2002	Gershfeld	D13/139.4	
D472,213	S *	3/2003	Byrne	D13/139.4	
D473,525	S *	4/2003	Pincek et al.	D13/162	
D516,513	S *	3/2006	Kissinger et al.	D13/139.4	
D526,961	S *	8/2006	Kissinger et al.	D13/139.4	
D535,257	S *	1/2007	Byrne	D13/139.4	
D537,039	S *	2/2007	Pincek	D13/139.4	
D537,785	S *	3/2007	Pincek	D13/139.4	
2004/0147147	A1 *	7/2004	Griepentrog	439/131	

\* cited by examiner

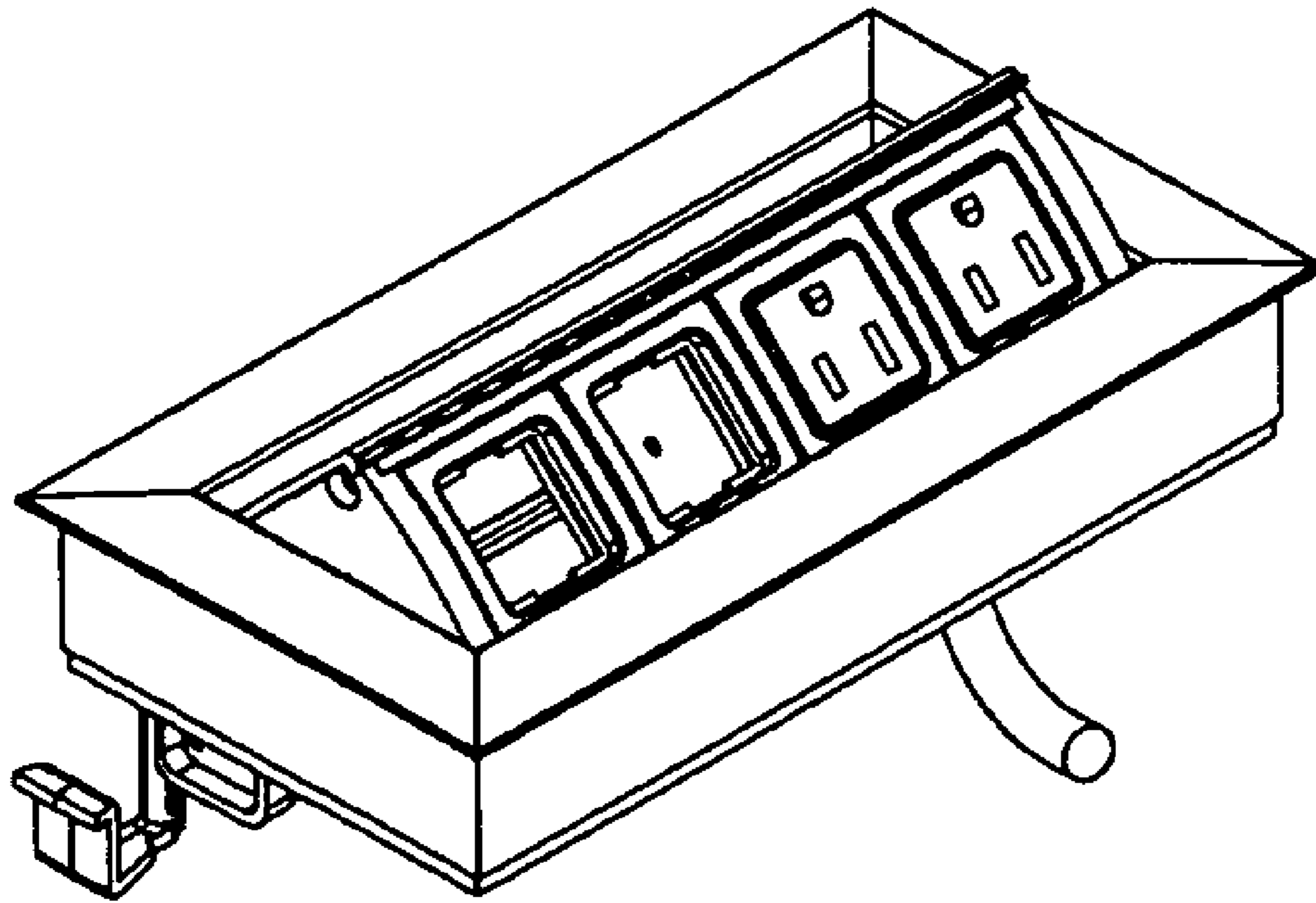


Fig. 1

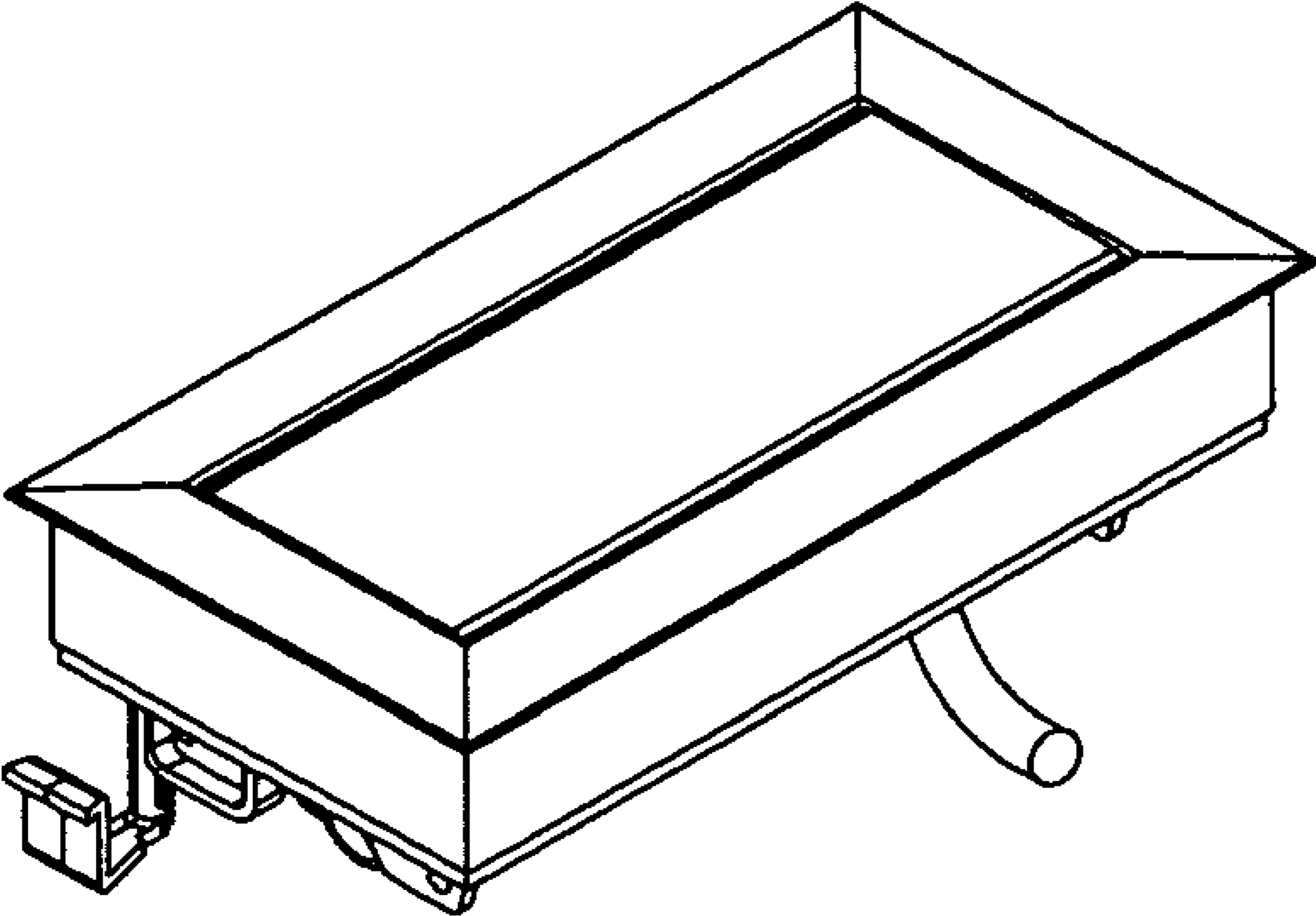


Fig. 2

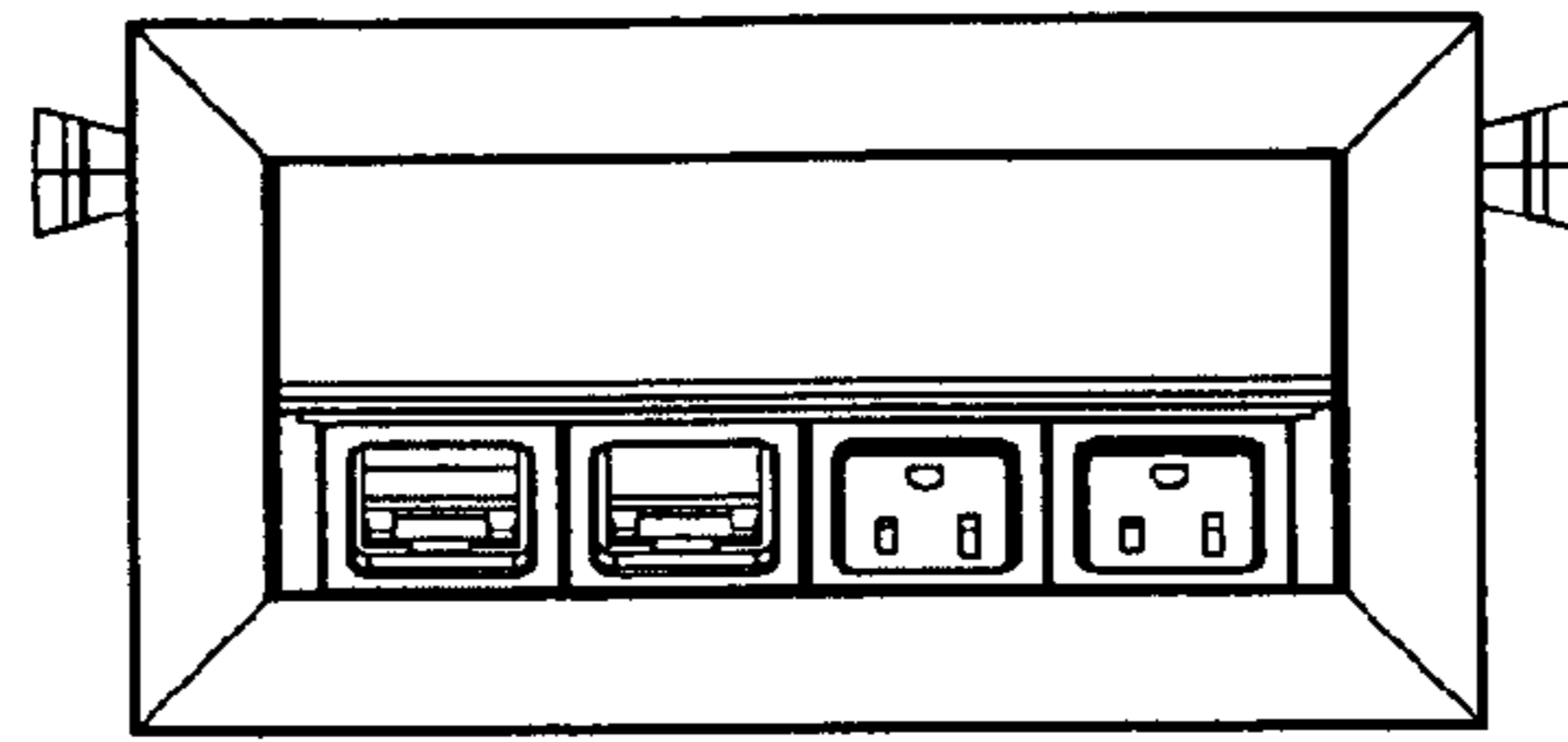


Fig. 3

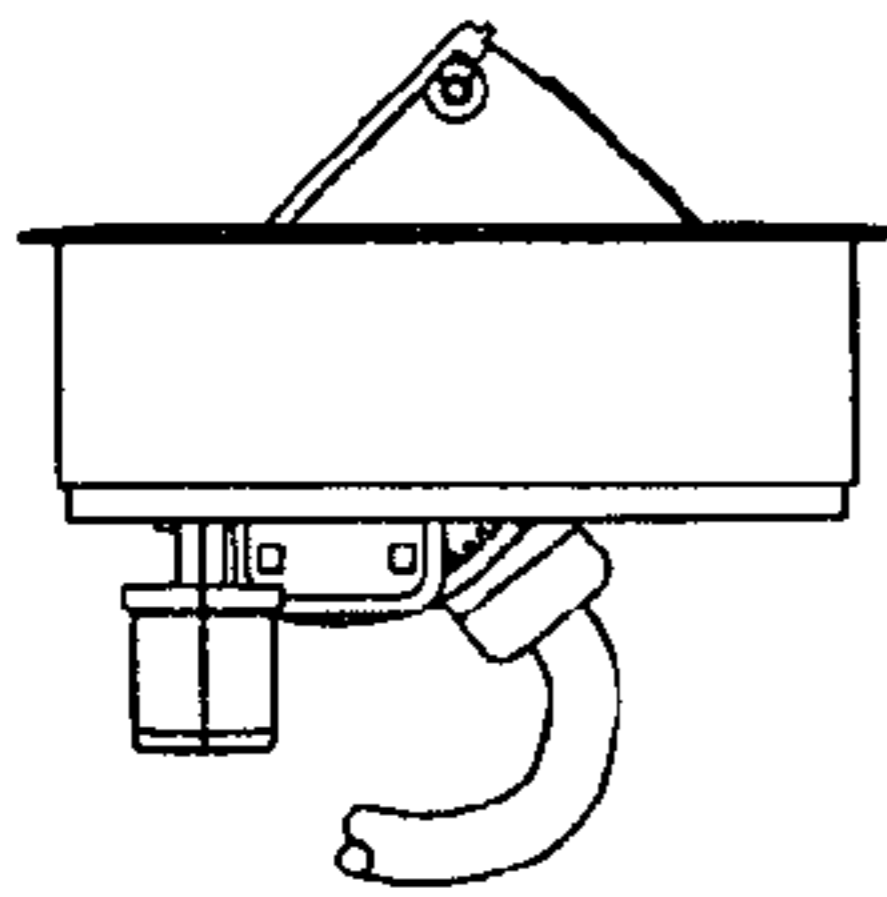


Fig. 4

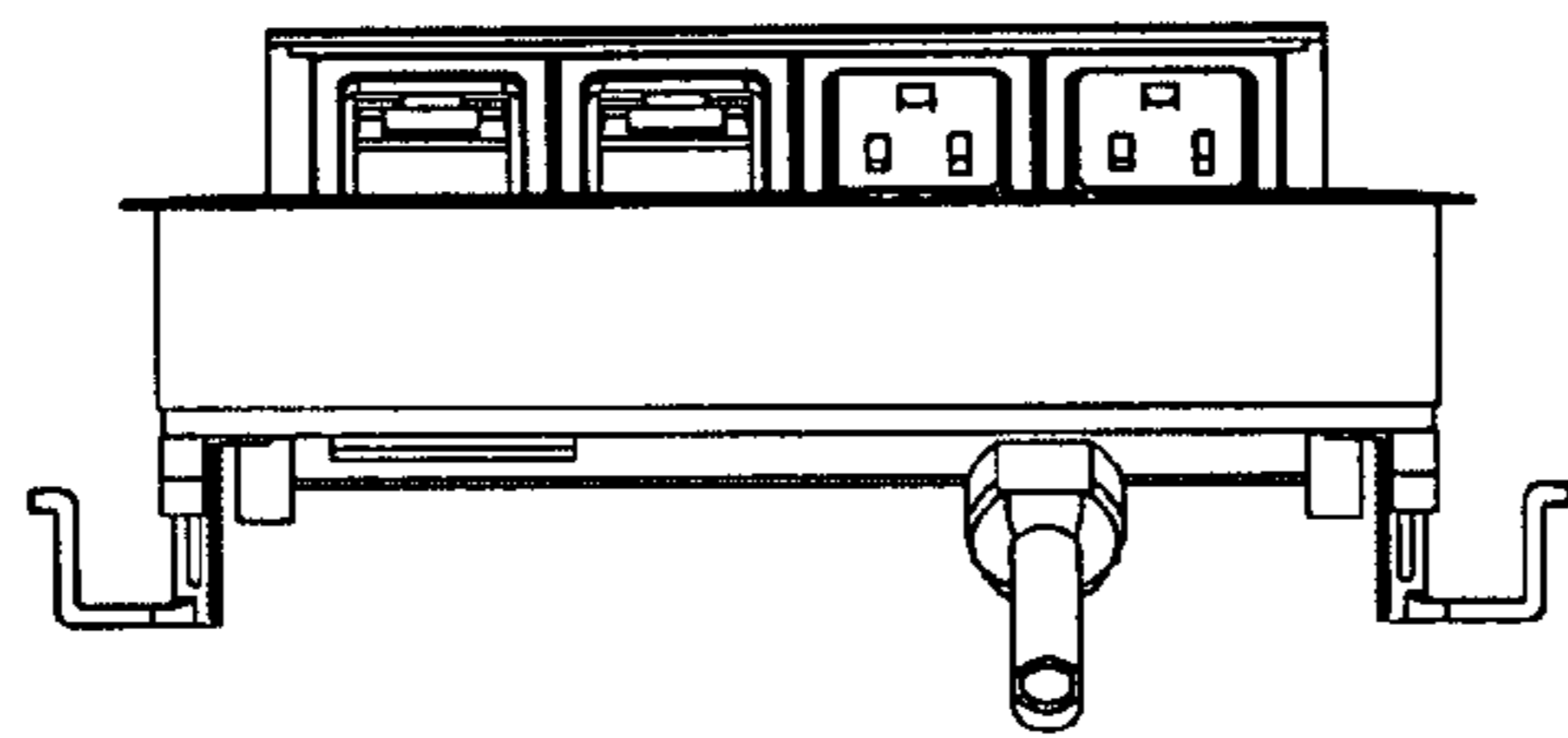


Fig. 5

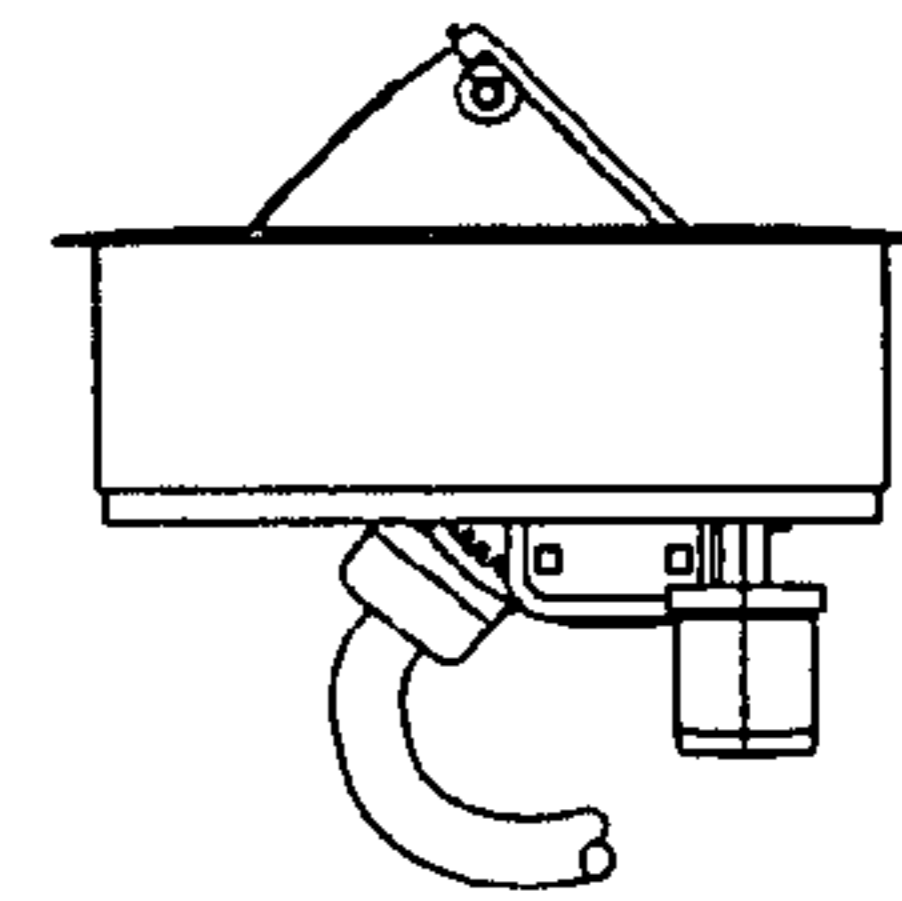


Fig. 6

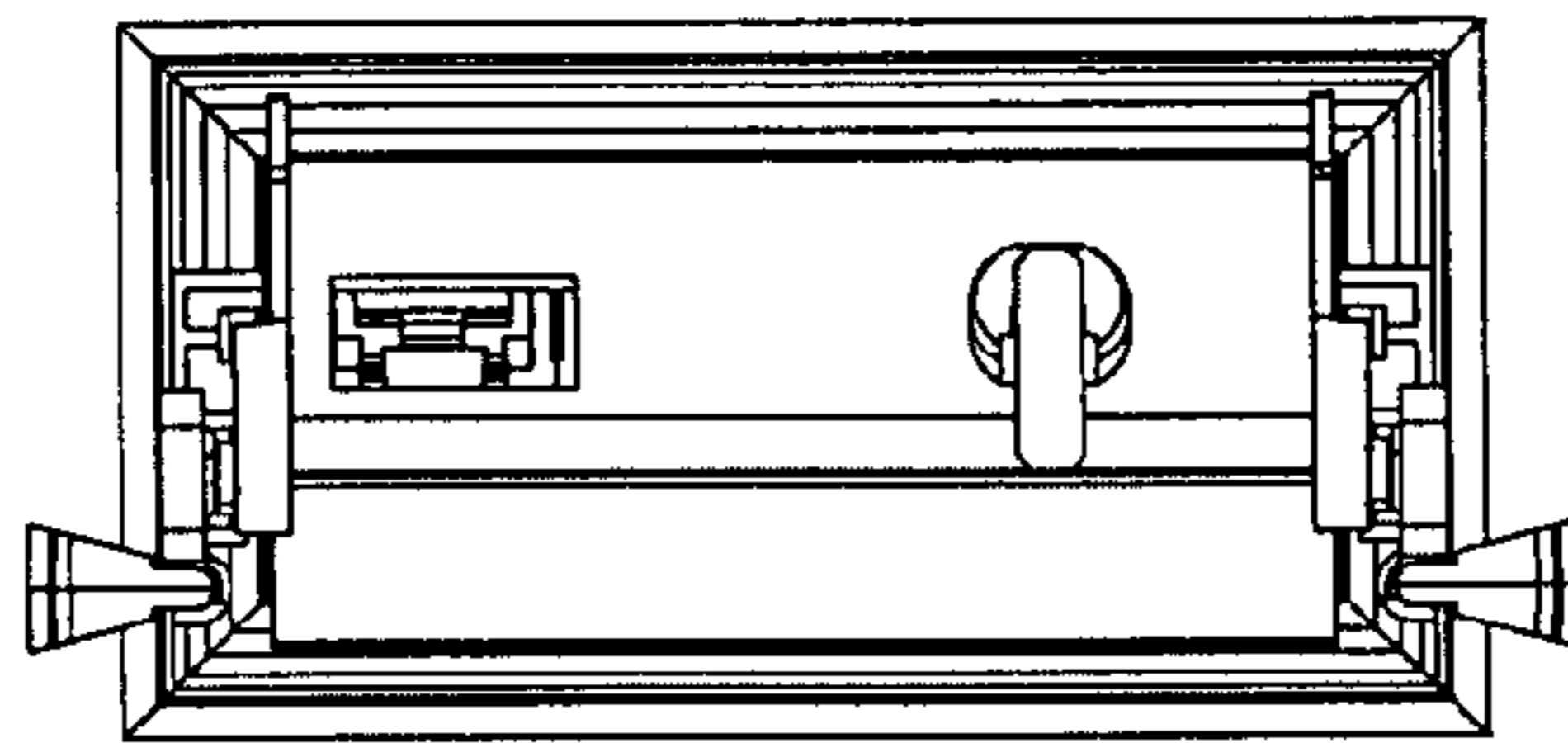


Fig. 7

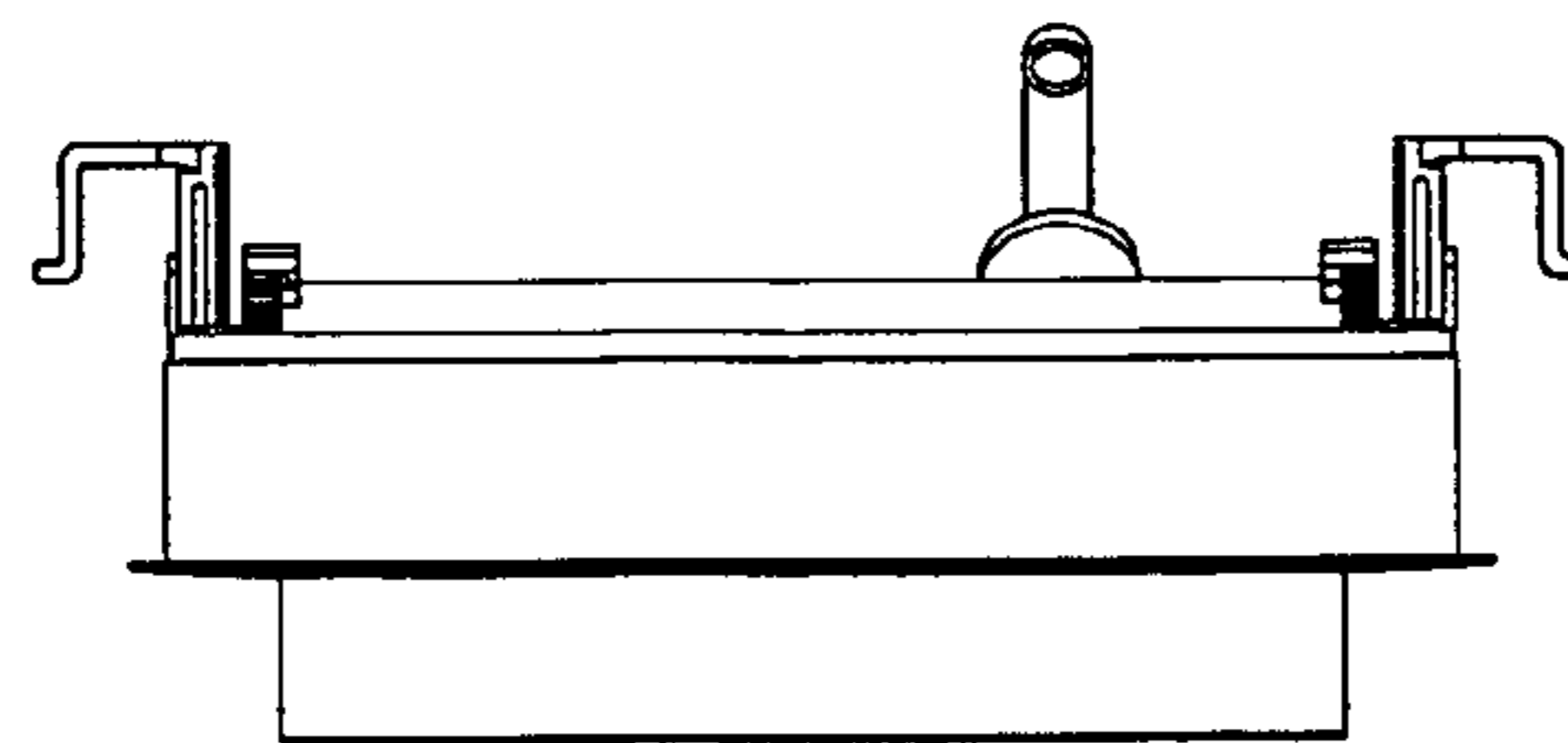


Fig. 8