



US00D639238S

(12) **United States Design Patent**  
**Serrano**

(10) **Patent No.:** **US D639,238 S**

(45) **Date of Patent:** **\*\* \*Jun. 7, 2011**

(54) **DUAL USB AC ADAPTER**

(75) **Inventor:** **Arthur L. Serrano**, West Hills, CA (US)

(73) **Assignee:** **Ever Win International Corporation**,  
City of Industry, CA (US)

(\*) **Notice:** This patent is subject to a terminal disclaimer.

(\*\*) **Term:** **14 Years**

(21) **Appl. No.:** **29/378,915**

(22) **Filed:** **Nov. 11, 2010**

(51) **LOC (9) Cl.** ..... **13-02**

(52) **U.S. Cl.** ..... **D13/110**

(58) **Field of Classification Search** ..... D13/110,  
D13/107, 108, 123, 133, 137.1, 199; D14/433,  
D14/435, 435.1; 174/53, 54, 59, 61; 307/150,  
307/151; 320/111, 114; 363/140, 142, 143,  
363/146; 439/105, 166, 171-173, 218, 518,  
439/692, 956

See application file for complete search history.

(56) **References Cited**

U.S. PATENT DOCUMENTS

D338,188 S \* 8/1993 Lee et al. .... D13/110  
D383,115 S \* 9/1997 Nagele et al. .... D13/110  
5,973,948 A \* 10/1999 Hahn et al. .... 363/146

6,086,395 A \* 7/2000 Lloyd et al. .... 439/172  
D456,008 S \* 4/2002 Kawanobe et al. .... D13/110  
D484,853 S \* 1/2004 Alviar ..... D13/110  
D503,679 S \* 4/2005 Andre et al. .... D13/110  
D519,922 S \* 5/2006 Andre et al. .... D13/110  
D562,766 S \* 2/2008 Yang ..... D13/110  
D573,532 S \* 7/2008 Yang ..... D13/110  
D601,093 S \* 9/2009 Wu et al. .... D13/147  
D601,500 S \* 10/2009 Green et al. .... D13/110

\* cited by examiner

*Primary Examiner* — Stella Reid

*Assistant Examiner* — Derrick Holland

(74) *Attorney, Agent, or Firm* — Joe Nieh

(57) **CLAIM**

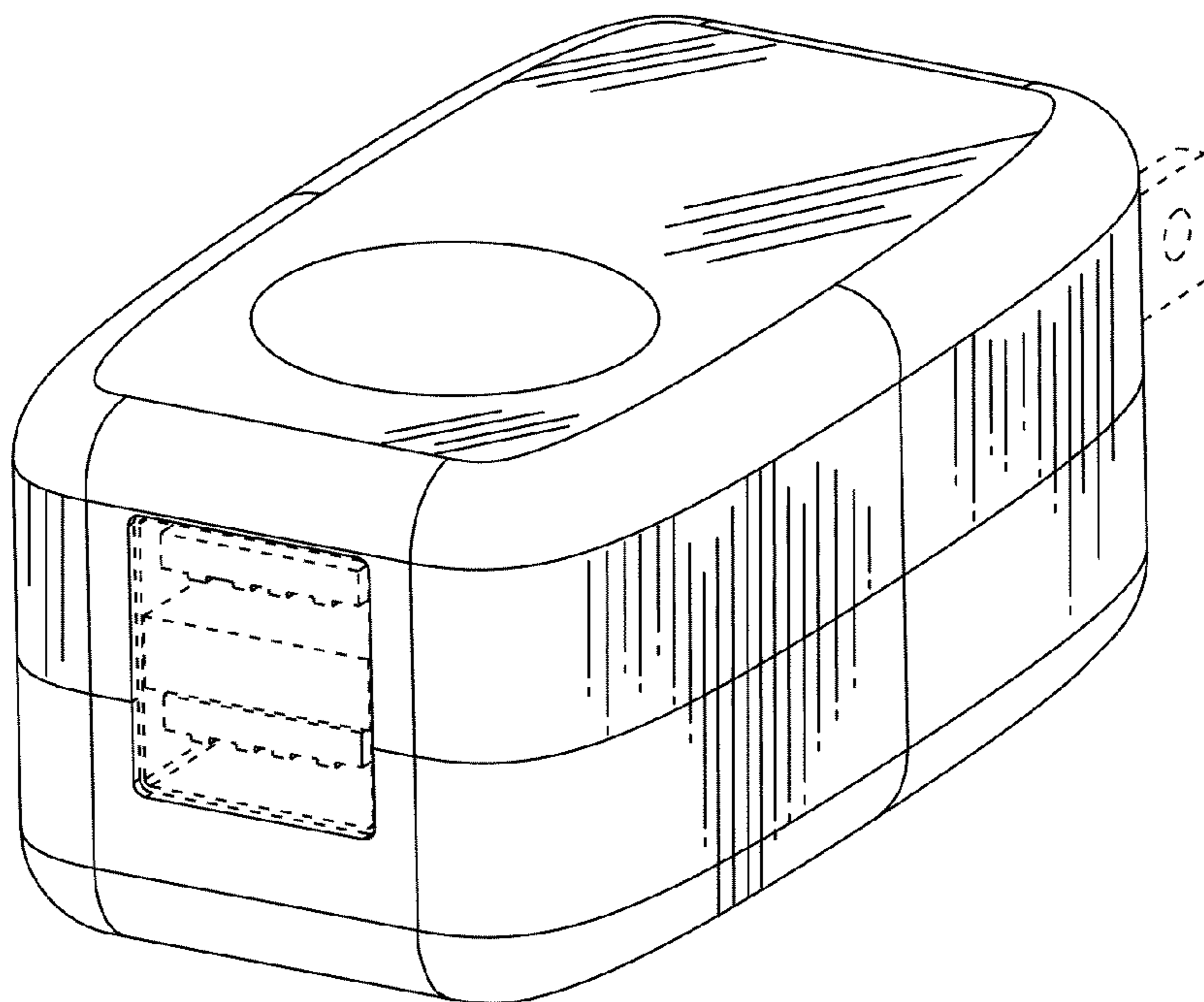
The ornamental design for a dual USB AC adapter, as shown and described.

**DESCRIPTION**

FIG. 1 is a front perspective view of a dual USB AC adapter showing my new design;  
FIG. 2 is a rear perspective view thereof;  
FIG. 3 is a rear elevation view thereof;  
FIG. 4 is a top plan view thereof;  
FIG. 5 is a front elevation view thereof;  
FIG. 6 is a left elevation view thereof;  
FIG. 7 is a right elevation view thereof; and,  
FIG. 8 is a bottom view thereof.

The broken lines shown represent unclaimed subject matter and form no part of the claimed design.

**1 Claim, 3 Drawing Sheets**



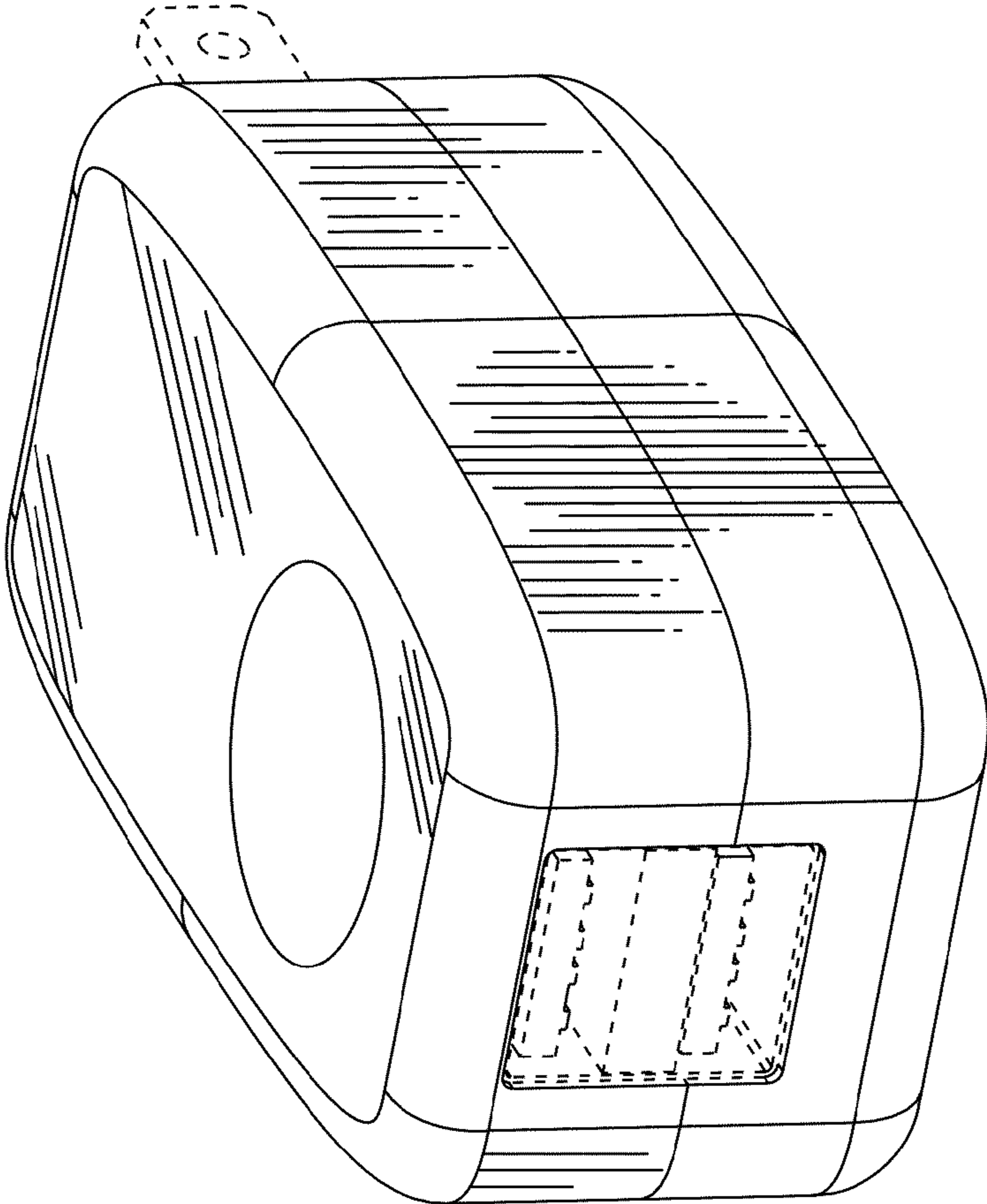


Fig. 1

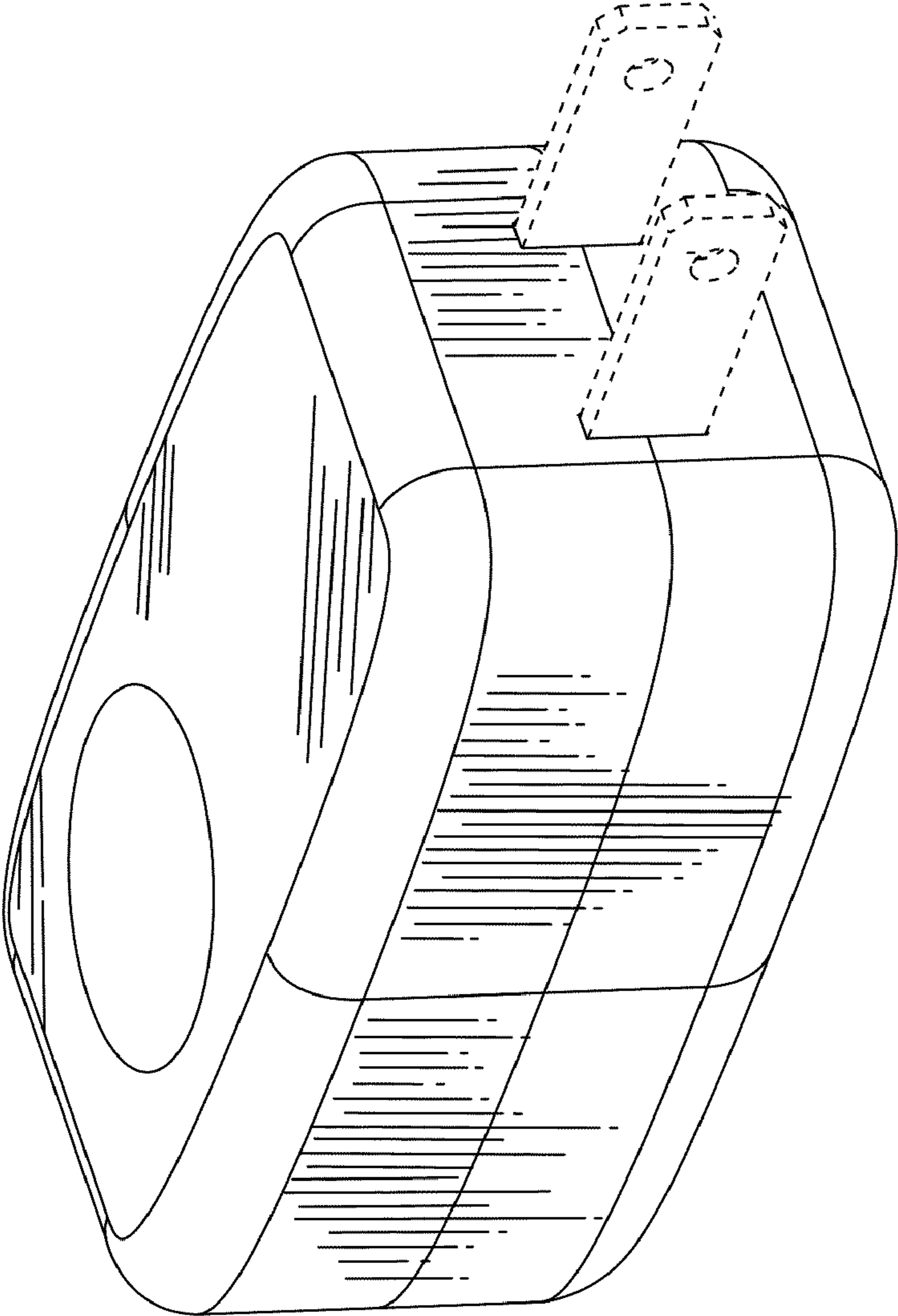


Fig. 2

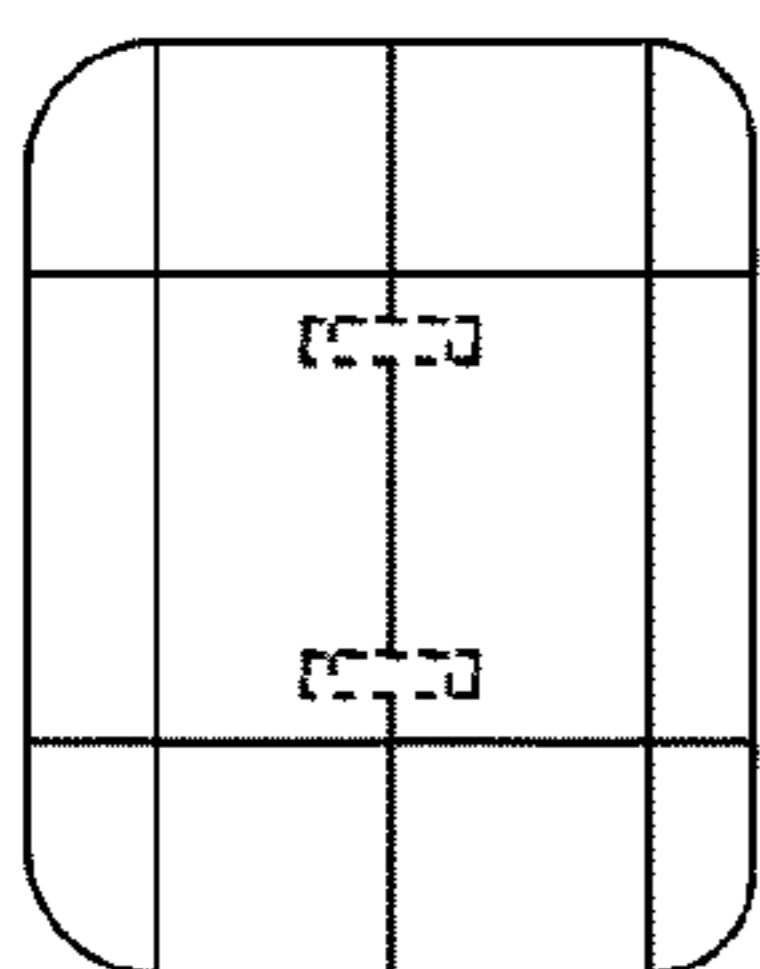


Fig. 3

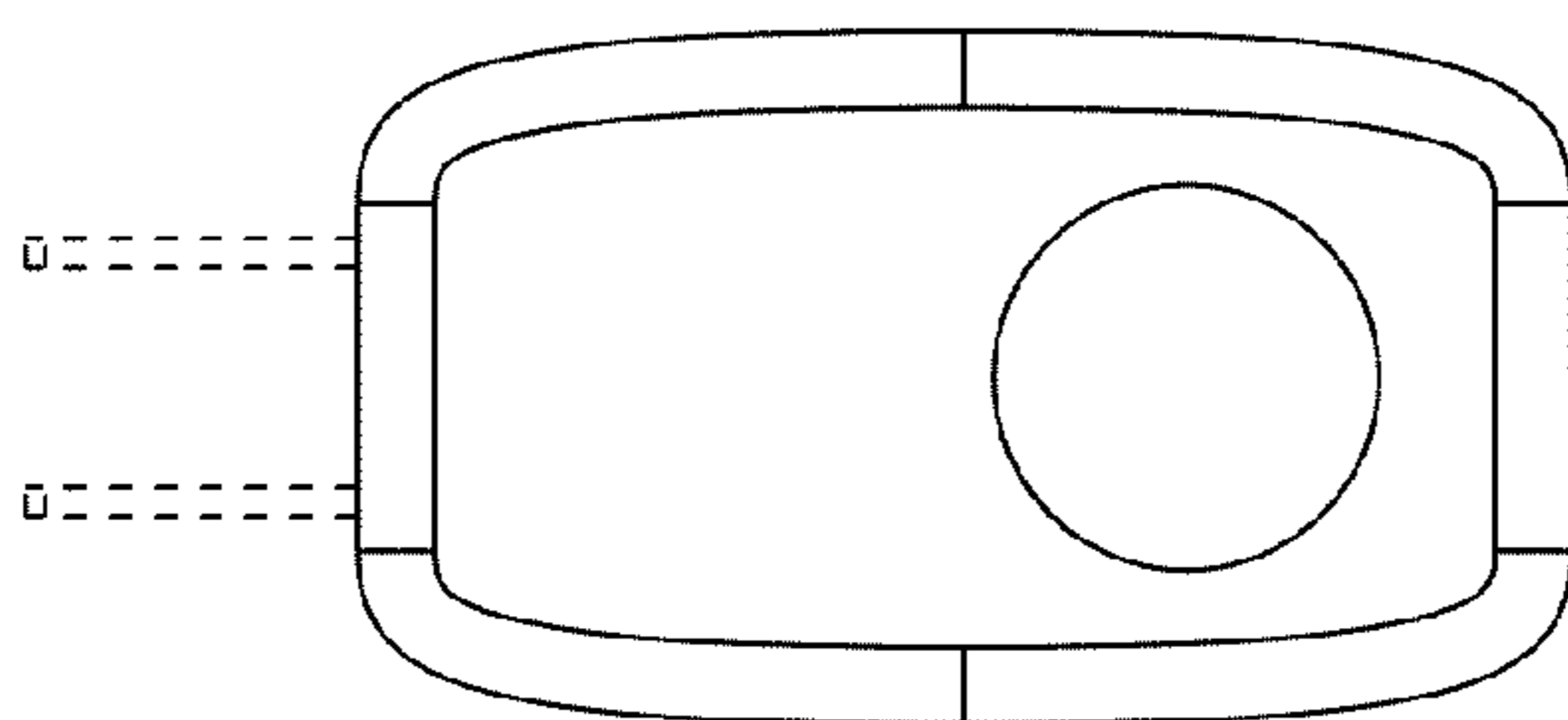


Fig. 4

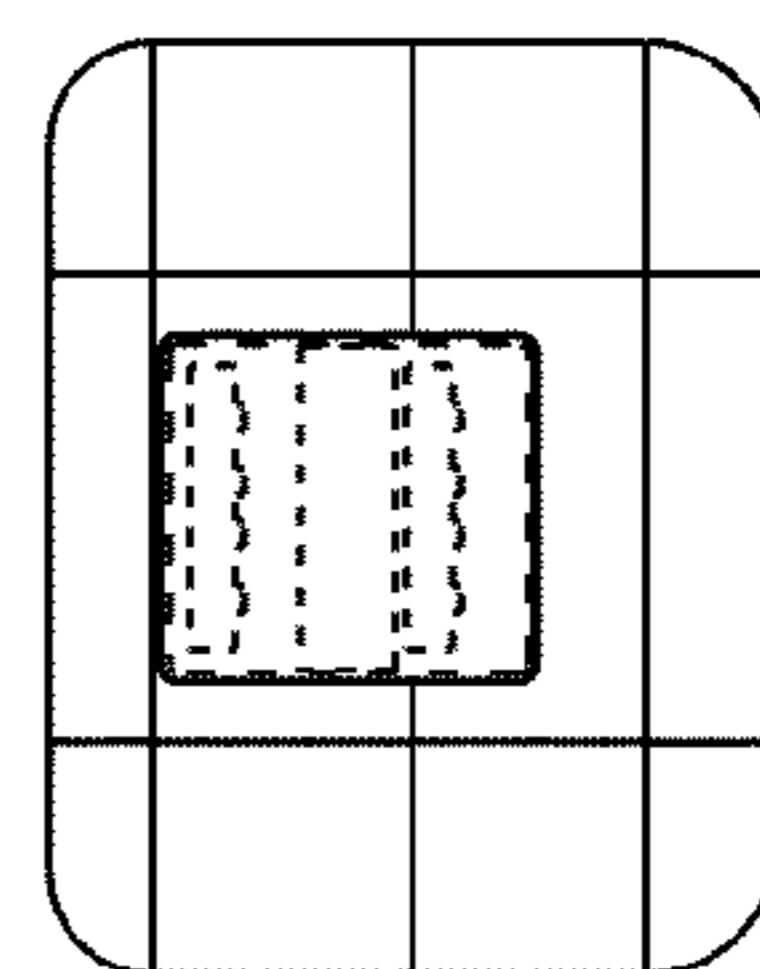


Fig. 5

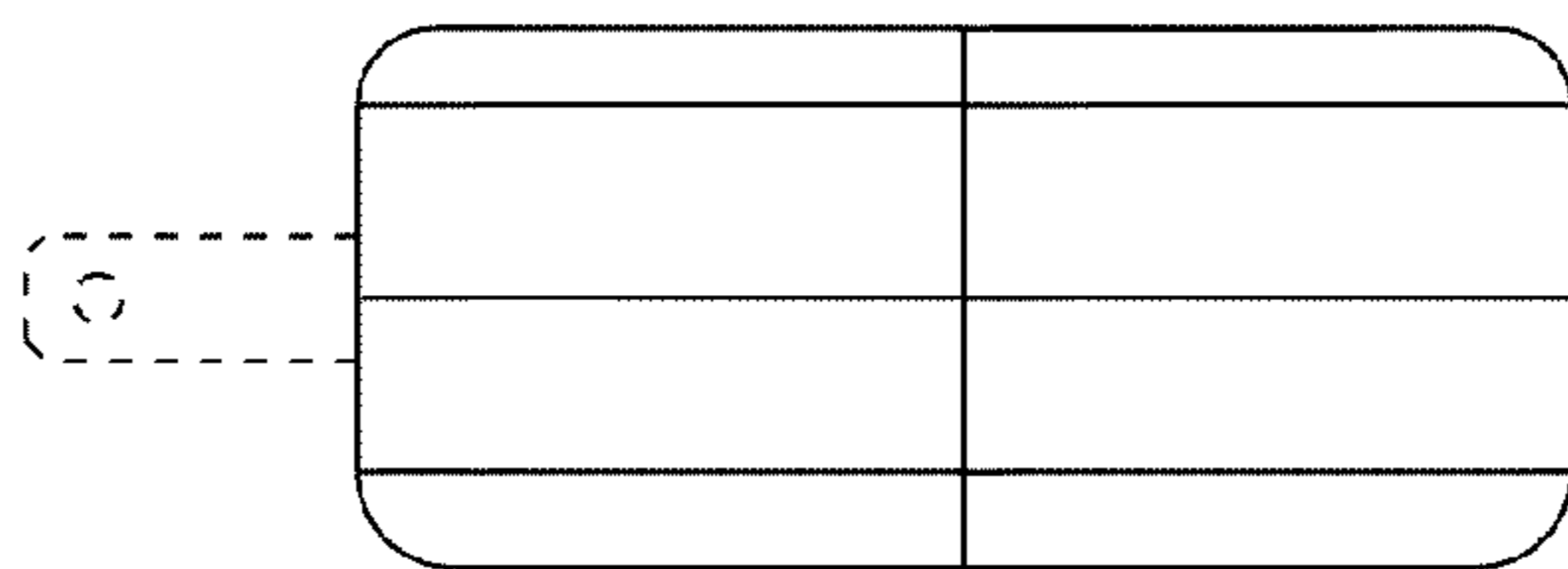


Fig. 6

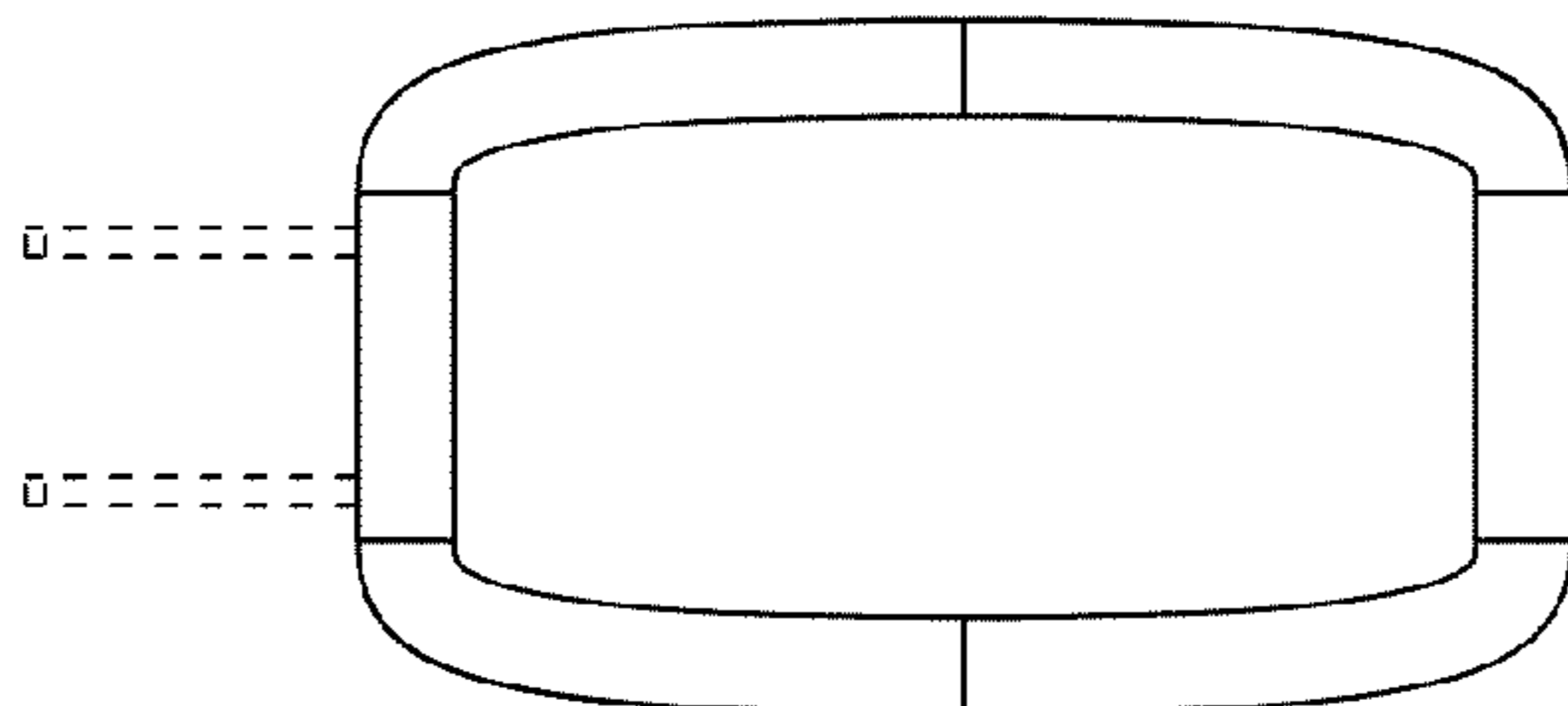


Fig. 8

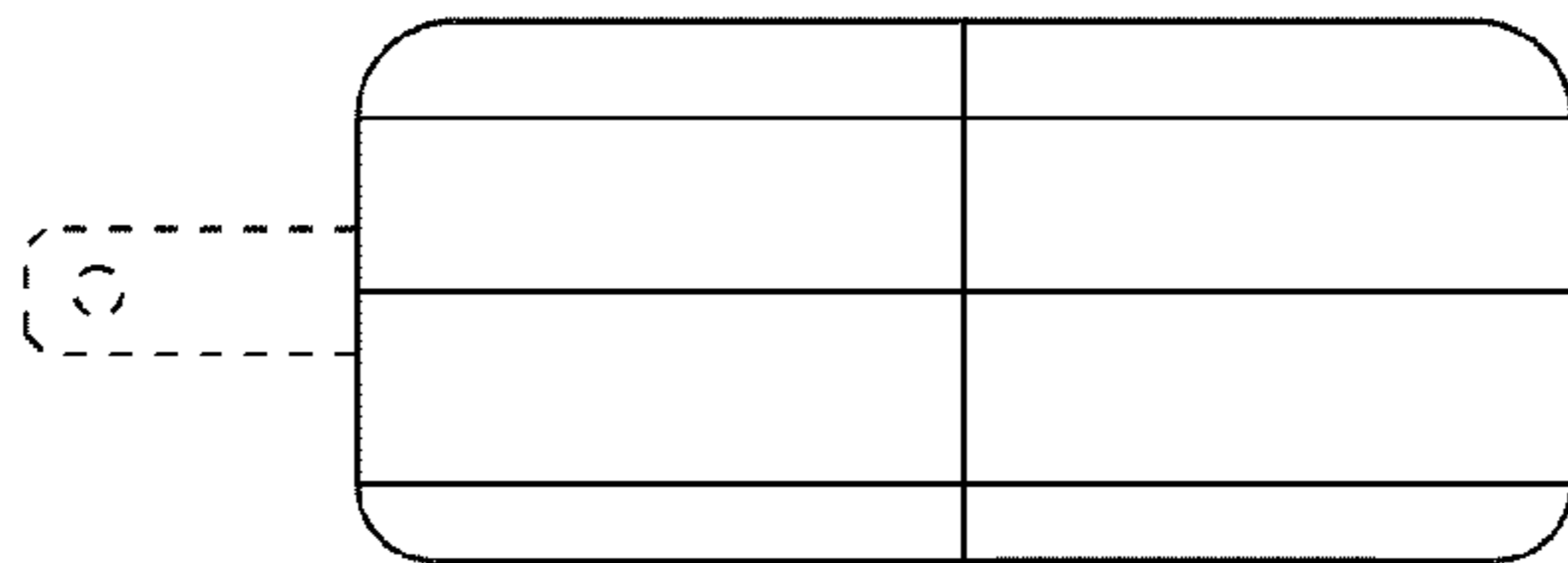


Fig. 7