



US00D639237S

(12) **United States Design Patent**  
**Lee et al.**

(10) **Patent No.:** **US D639,237 S**  
(45) **Date of Patent:** **\*\* Jun. 7, 2011**

(54) **CHARGER FOR VACUUM CLEANER**

(75) Inventors: **Jong Hyub Lee**, Seoul (KR); **Deoksang Yun**, Kyunggi-do (KR); **Min Hyoug Boo**, Seoul (KR)

(73) Assignee: **Samsung Electronics Co., Ltd.**, Suwon (KR)

(\*\*) Term: **14 Years**

(21) Appl. No.: **29/382,534**

(22) Filed: **Jan. 5, 2011**

(51) **LOC (9) Cl.** ..... **13-02**

(52) **U.S. Cl.** ..... **D13/108; D32/31**

(58) **Field of Classification Search** ..... D13/107–110,  
D13/118–119, 184, 199; D32/25, 31; 320/107–115;  
15/300.1, 344–345, 323; D14/251, 253,  
D14/432, 434

See application file for complete search history.

(56) **References Cited**

**U.S. PATENT DOCUMENTS**

D285,920 S *	9/1986	Kitakaze	.....	D14/260
D384,044 S *	9/1997	Tanimura	.....	D14/434
D421,424 S *	3/2000	Lee et al.	.....	D14/434
D423,473 S *	4/2000	Iwamoto	.....	D14/434
D428,007 S *	7/2000	Yamamoto et al.	.....	D14/356
D474,735 S *	5/2003	Lee	.....	D13/108
D510,066 S *	9/2005	Hickey et al.	.....	D13/108

7,332,890 B2 *	2/2008	Cohen et al.	.....	320/109
D588,059 S *	3/2009	Fujita et al.	.....	D13/108
D621,405 S *	8/2010	Waite et al.	.....	D14/434
D628,961 S *	12/2010	Kim et al.	.....	D13/108
2005/0017681 A1 *	1/2005	Ogishima et al.	.....	320/112
2007/0267998 A1 *	11/2007	Cohen et al.	.....	320/109

\* cited by examiner

*Primary Examiner* — Rosemary K Tarcza

(74) *Attorney, Agent, or Firm* — Ladas & Parry LLP

(57) **CLAIM**

The ornamental design for a charger for vacuum cleaner, as shown and described.

**DESCRIPTION**

FIG. 1 is a front/right-side/top perspective view of a charger for vacuum cleaner showing our new design; FIG. 2 is a front-side elevational view thereof; FIG. 3 is a rear-side elevational view thereof; FIG. 4 is a left-side elevational view thereof; FIG. 5 is a right-side elevational view thereof; FIG. 6 is a top plan view thereof; FIG. 7 is a bottom plan view thereof; and, FIG. 8 is a front/right-side/top perspective view thereof, in a state of use.

The broken lines shown in the drawings are included for the purpose of illustrating environmental structure and form no part of the claimed design.

**1 Claim, 6 Drawing Sheets**

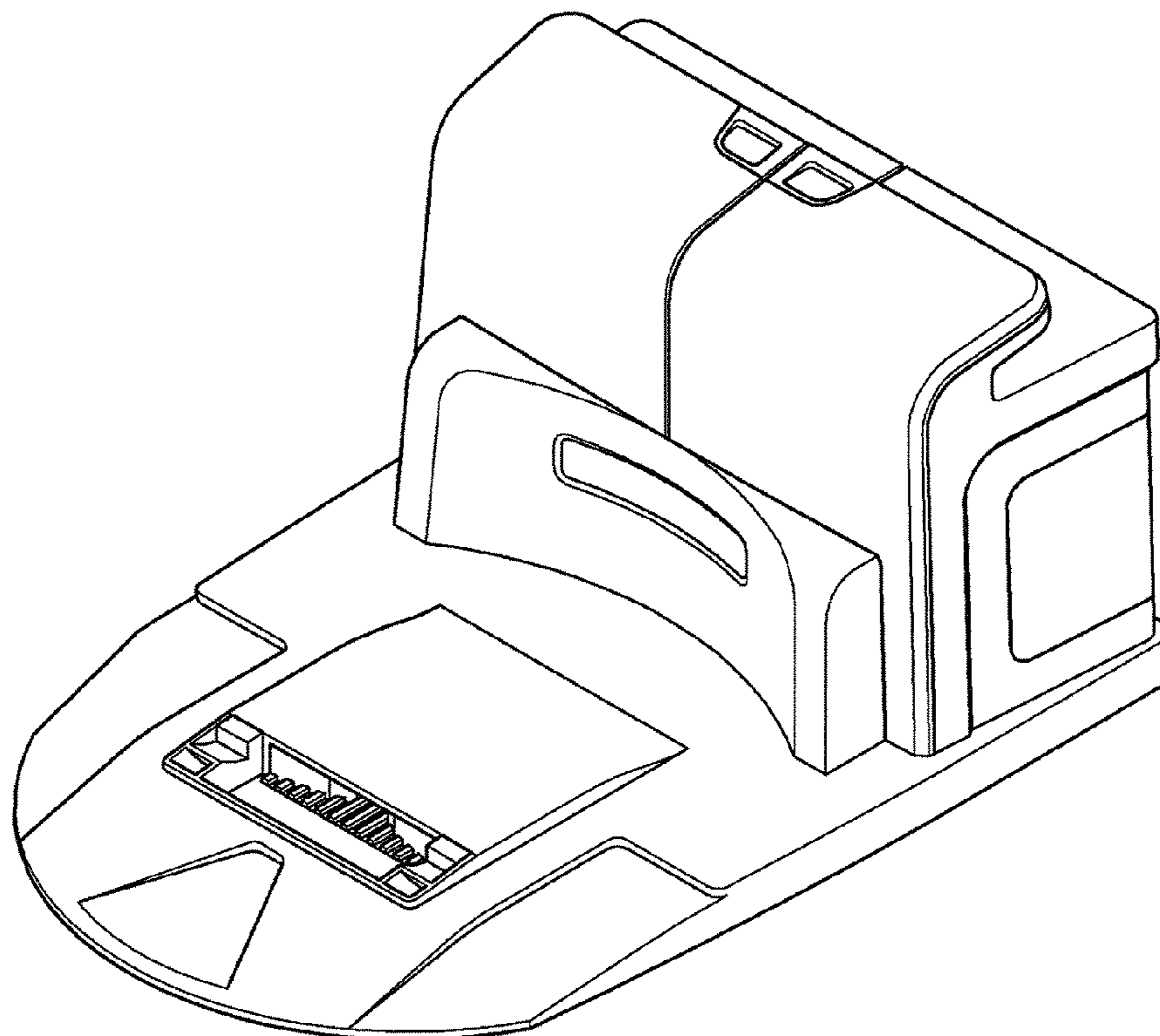
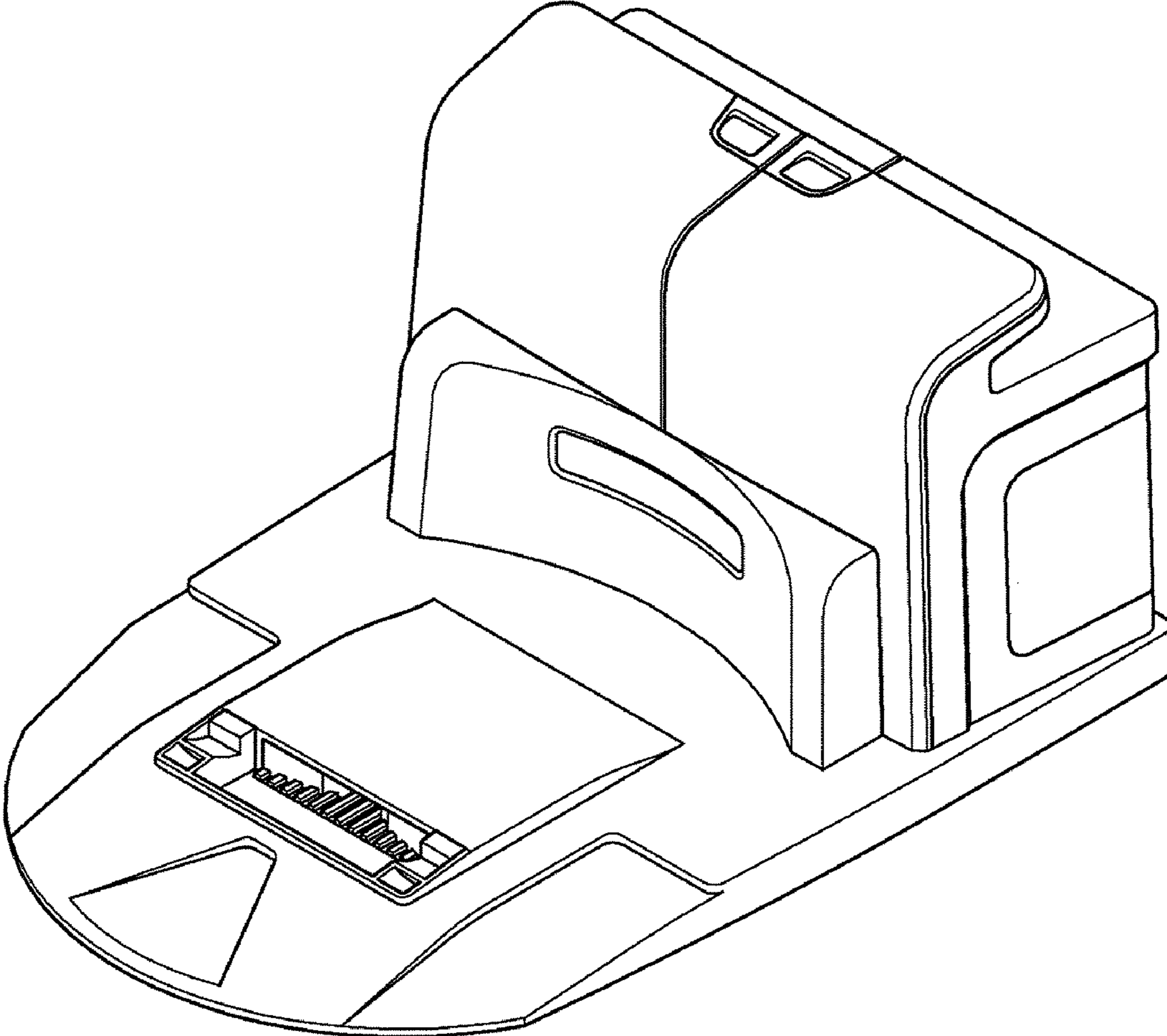
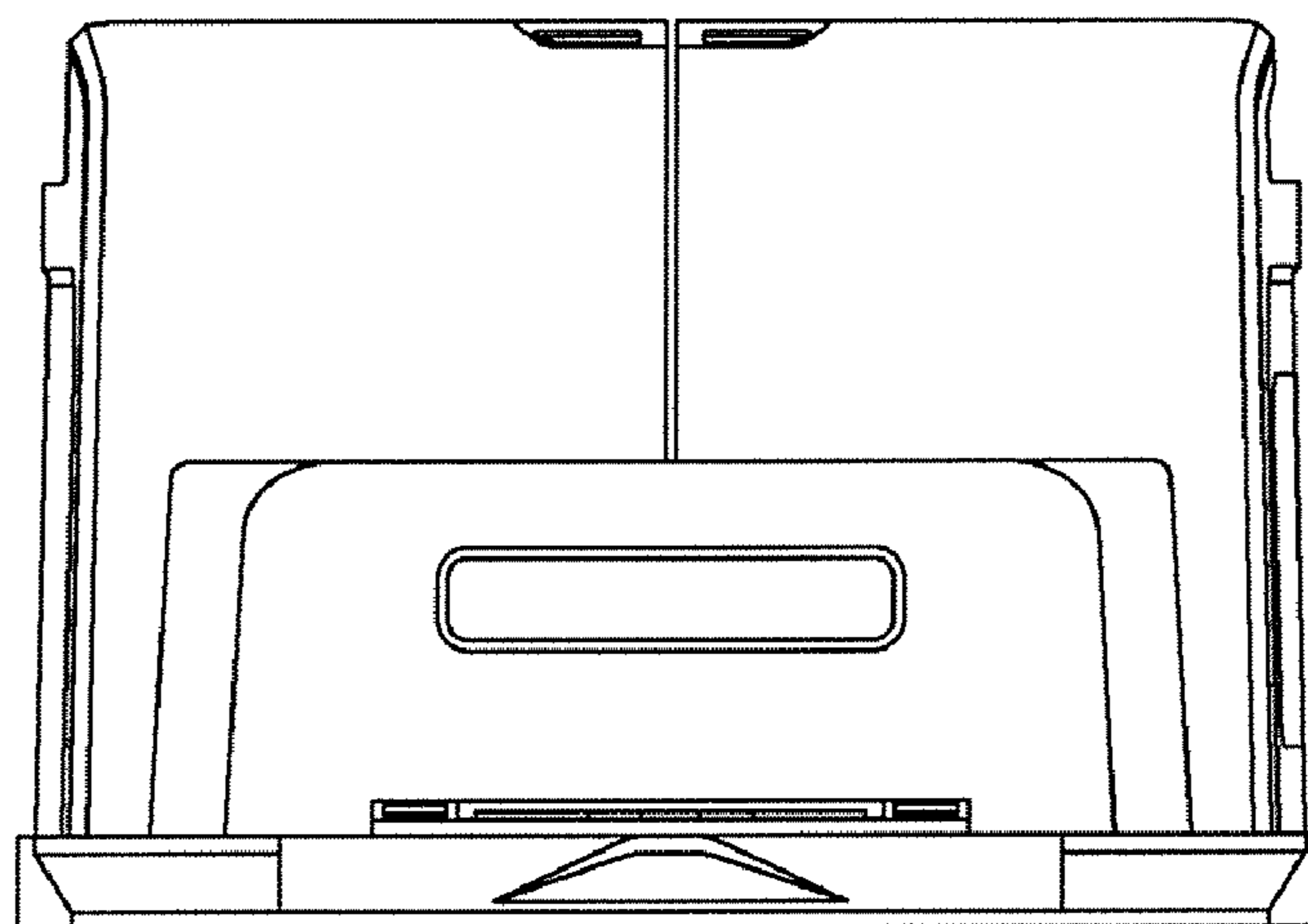


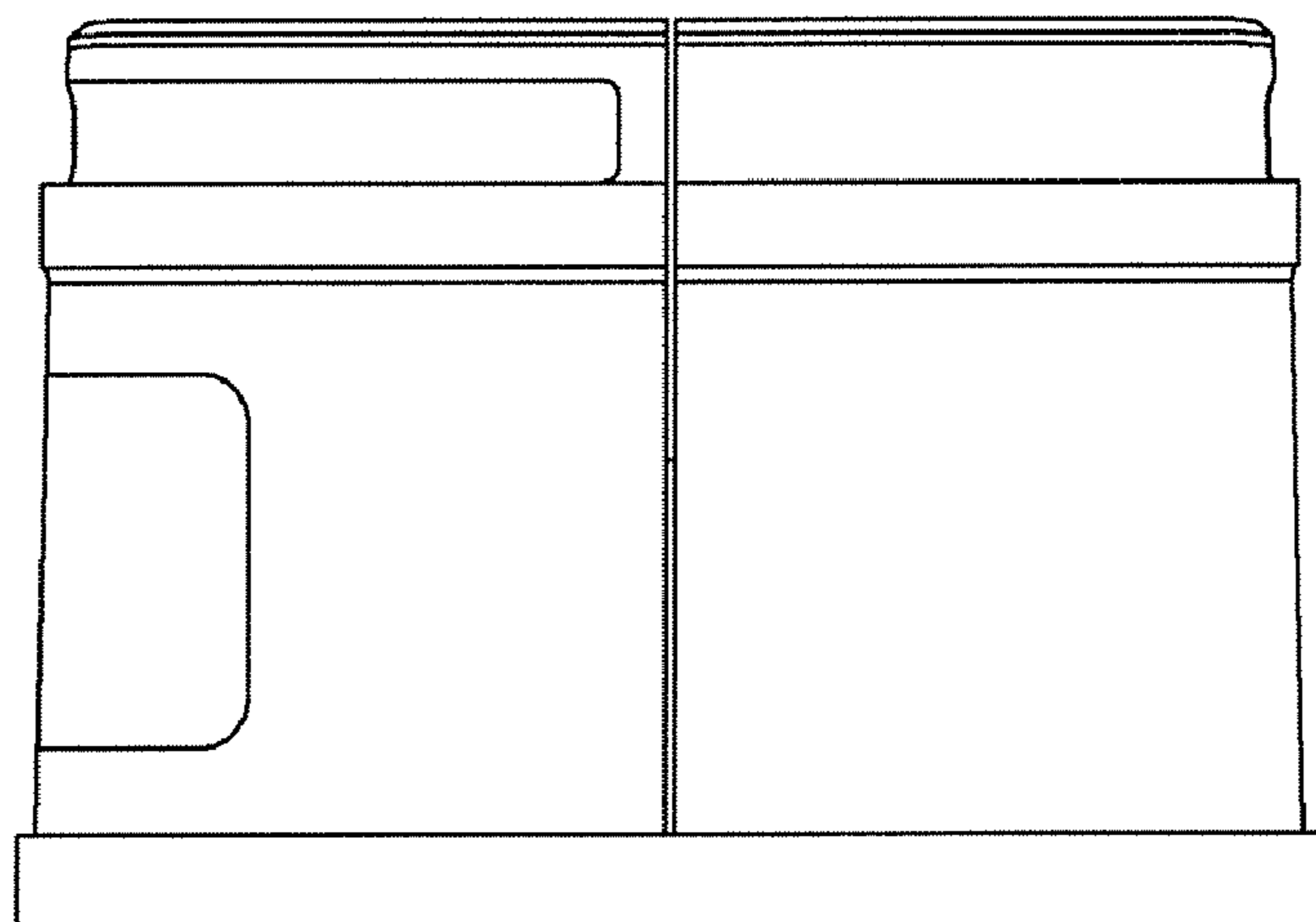
FIG. 1



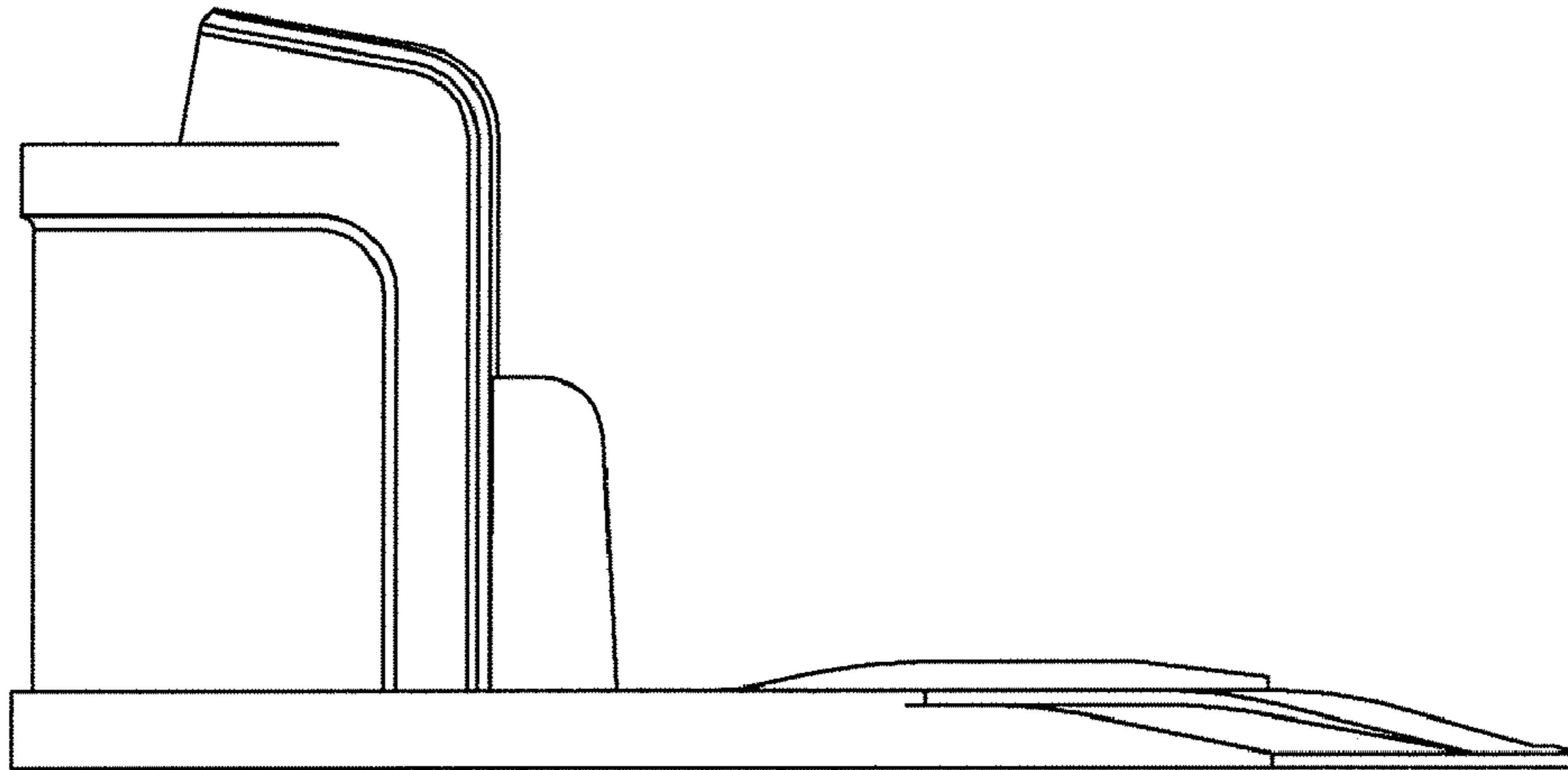
**FIG. 2**



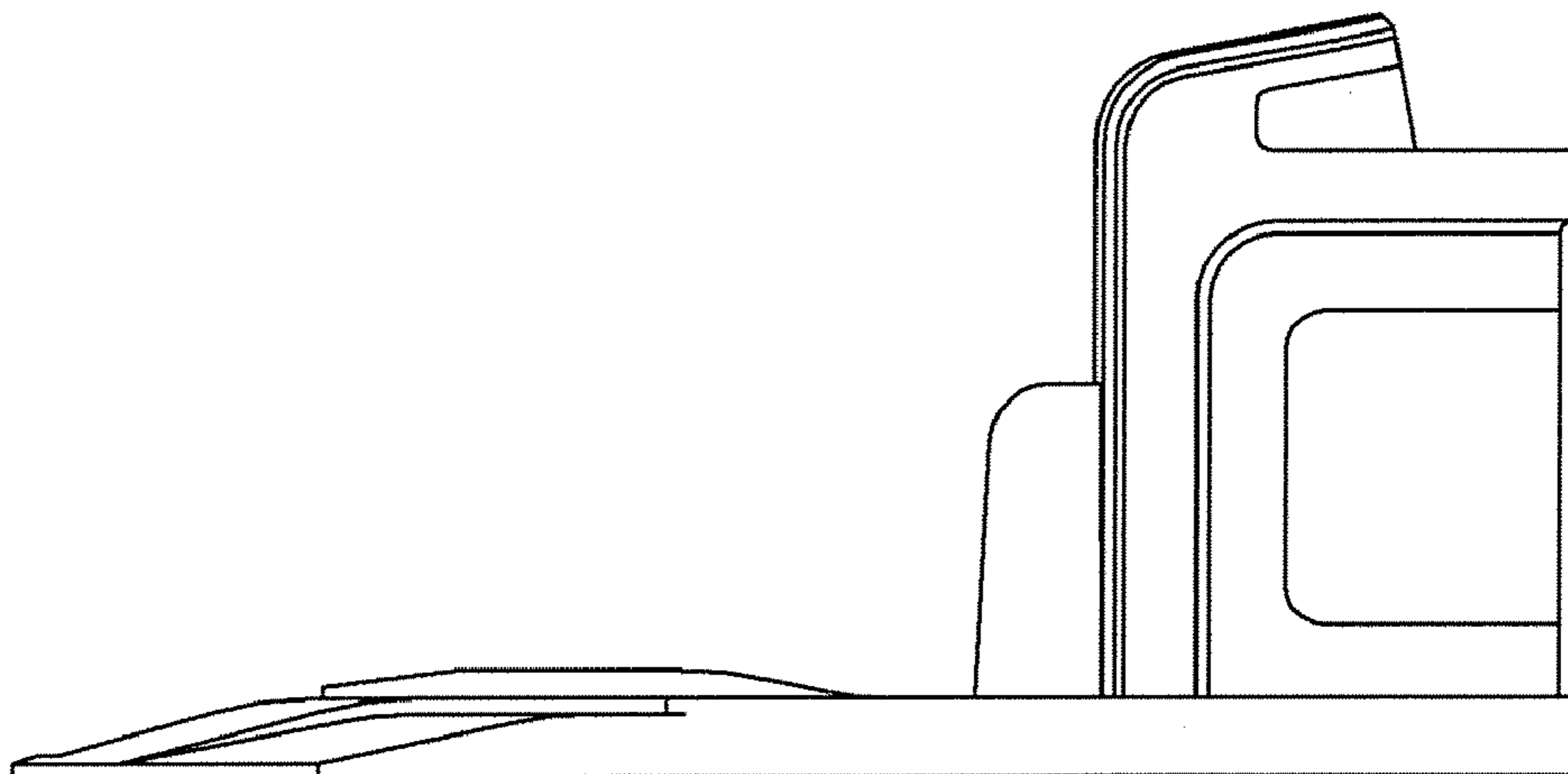
**FIG. 3**



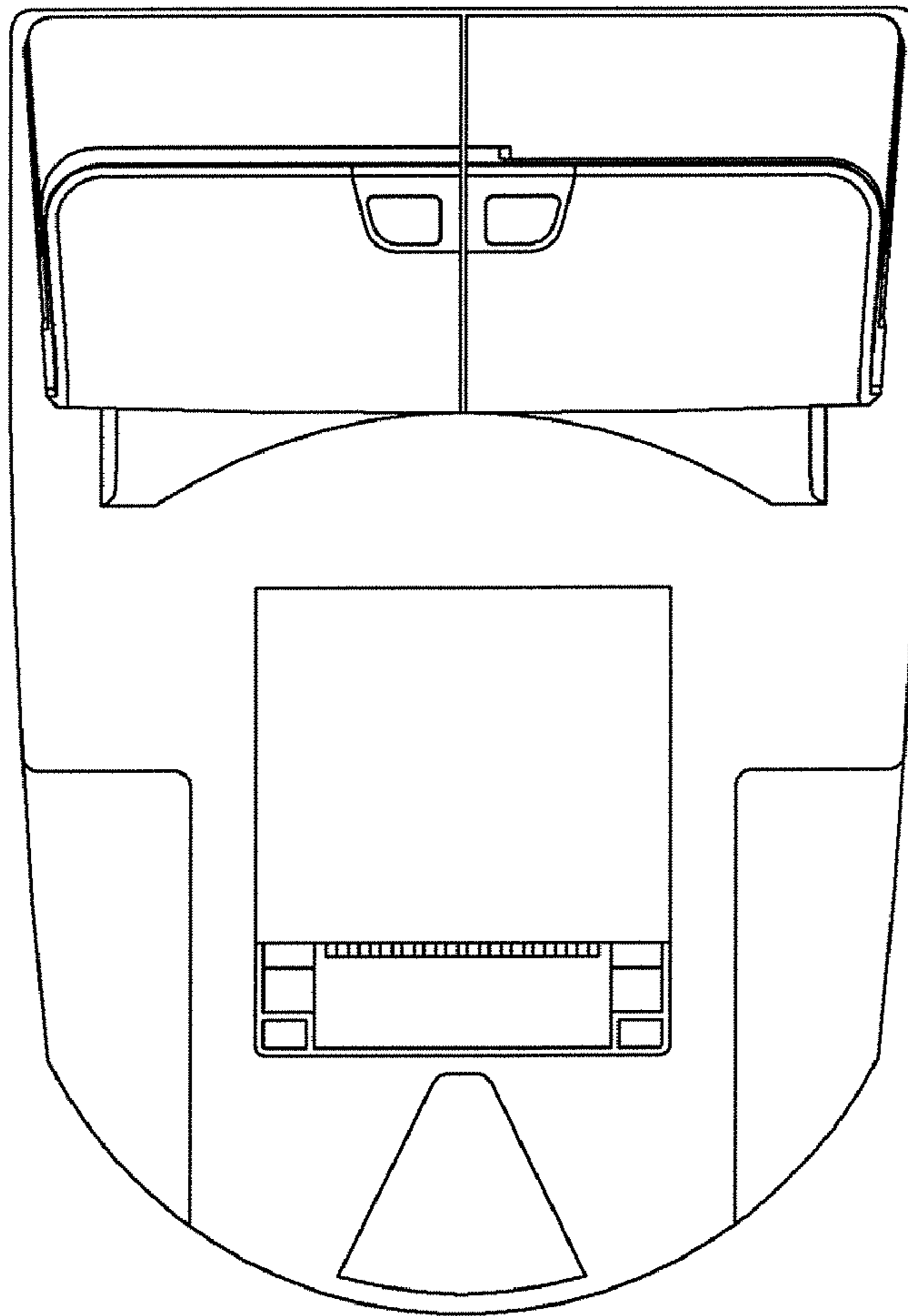
**FIG. 4**



**FIG. 5**



**FIG. 6**



**FIG. 7**

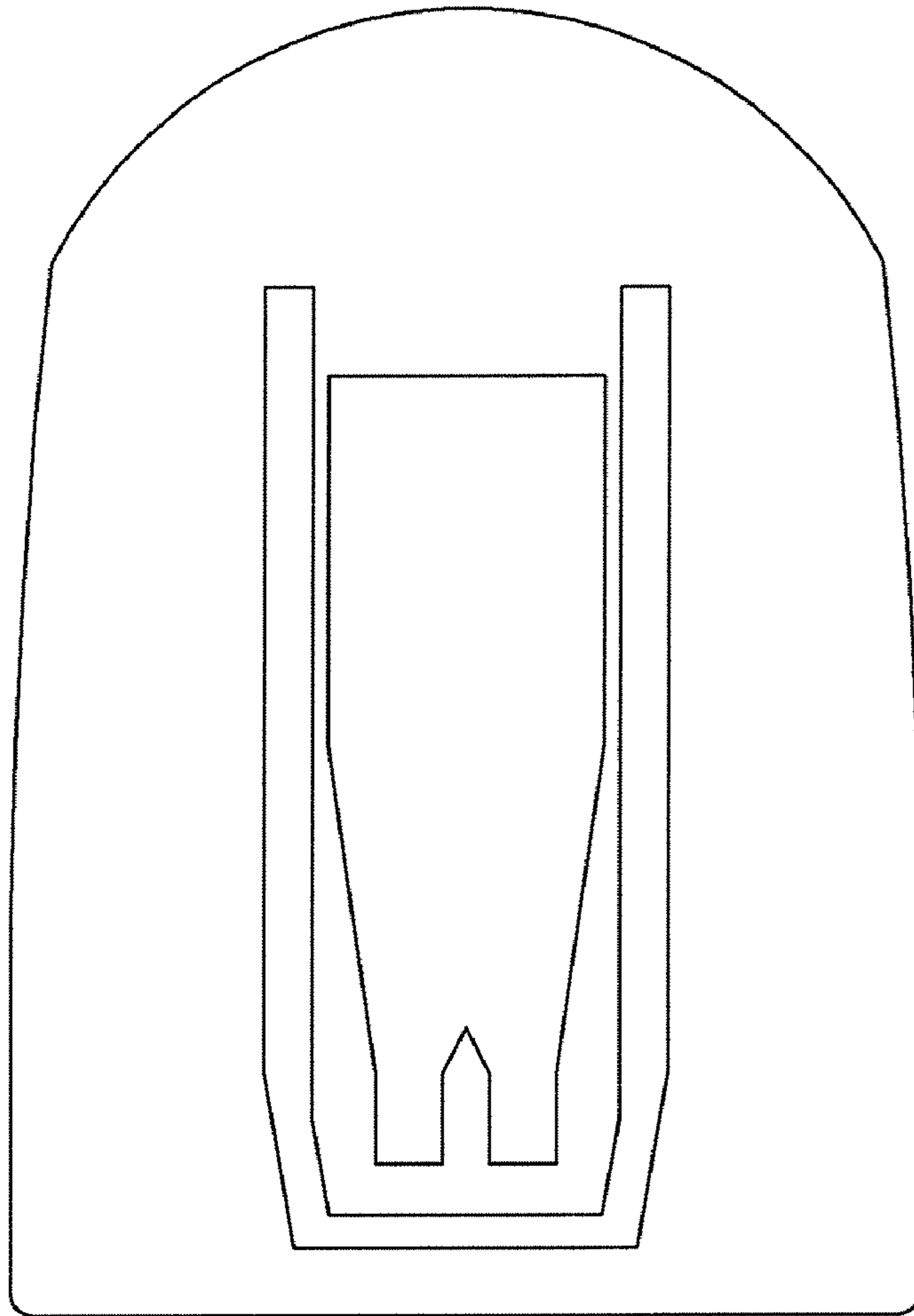


Fig. 8

