



US00D639236S

(12) **United States Design Patent**  
**Lu**

(10) **Patent No.:** **US D639,236 S**  
(45) **Date of Patent:** **\*\* Jun. 7, 2011**

(54) **ELECTRONIC CHARGER**

(75) Inventor: **Luke Lu**, City of Industry, CA (US)

(73) Assignee: **Dream Wireless, Inc.**, City of Industry, CA (US)

(\*\*) Term: **14 Years**

(21) Appl. No.: **29/379,239**

(22) Filed: **Nov. 16, 2010**

(51) **LOC (9) Cl.** ..... **13-02**

(52) **U.S. Cl.** ..... **D13/108; D13/144**

(58) **Field of Classification Search** ..... D13/107-110,  
D13/118-119, 133, 144, 184, 199; D14/155,  
D14/251, 253, 432, 434, 435.1, 356; 320/107-115;  
439/131, 300, 620.01, 638, 668-670, 675,  
439/825; 363/146

See application file for complete search history.

(56) **References Cited**

**U.S. PATENT DOCUMENTS**

D486,788 S \* 2/2004 Riede ..... D13/108  
D546,287 S \* 7/2007 Tanishita ..... D13/144  
D554,585 S \* 11/2007 Nazar ..... D13/110

D615,043 S \* 5/2010 Tang et al. .... D13/144  
D620,441 S \* 7/2010 Hou ..... D13/144  
D631,836 S \* 2/2011 Kao ..... D13/108

\* cited by examiner

*Primary Examiner* — Rosemary K Tarcza

(74) *Attorney, Agent, or Firm* — Jen-Feng Lee

(57) **CLAIM**

I claim the ornamental design for a electronic charger, as shown and described.

**DESCRIPTION**

FIG. 1 shows the perspective view of a electronic charger showing my new design,

FIG. 2 shows the top plan view thereof,

FIG. 3 shows the left side view thereof, with prongs in the un-retracted position, with right side view being the mirror image thereof,

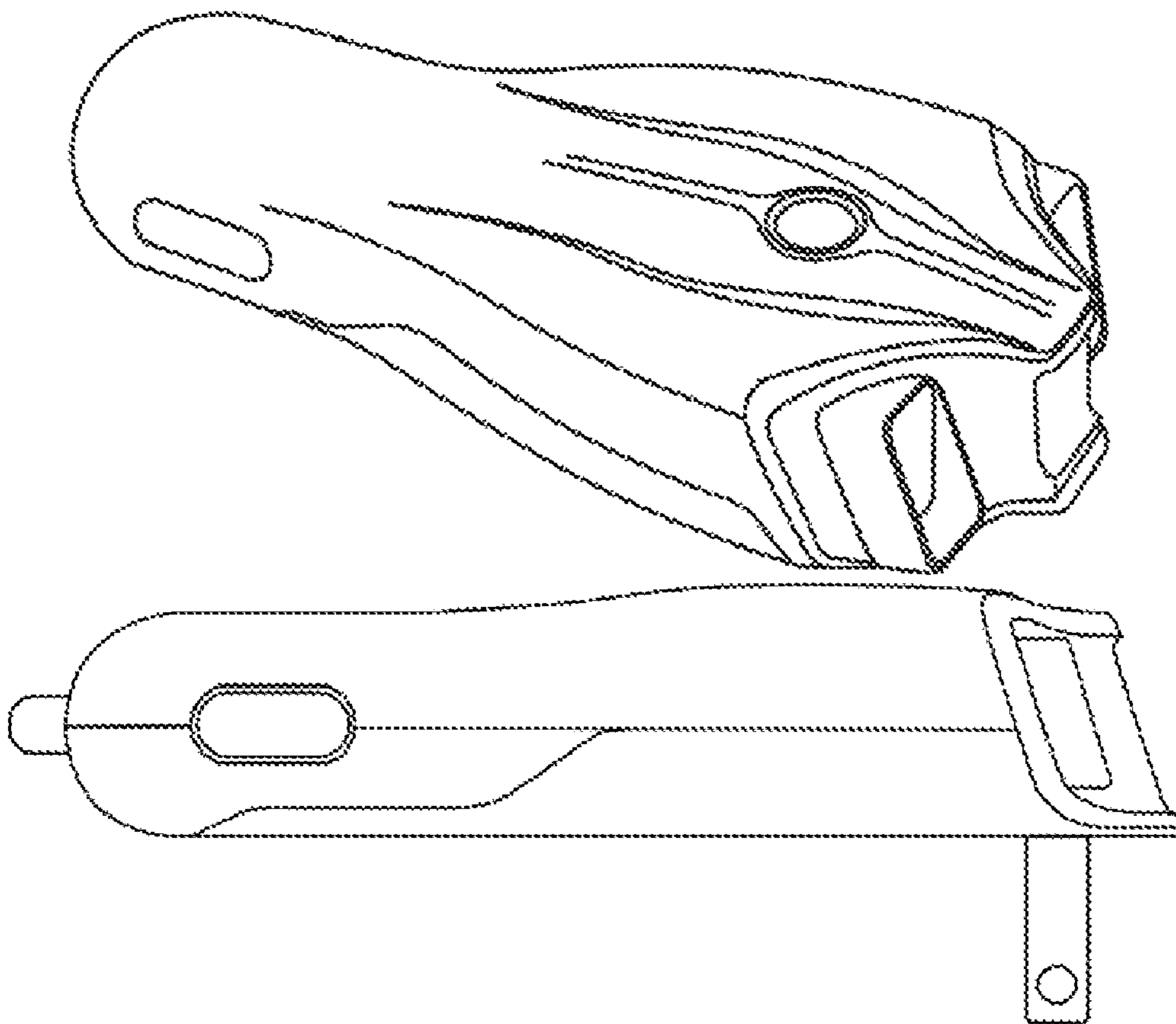
FIG. 4 shows the bottom view thereof, with prongs in the retracted position,

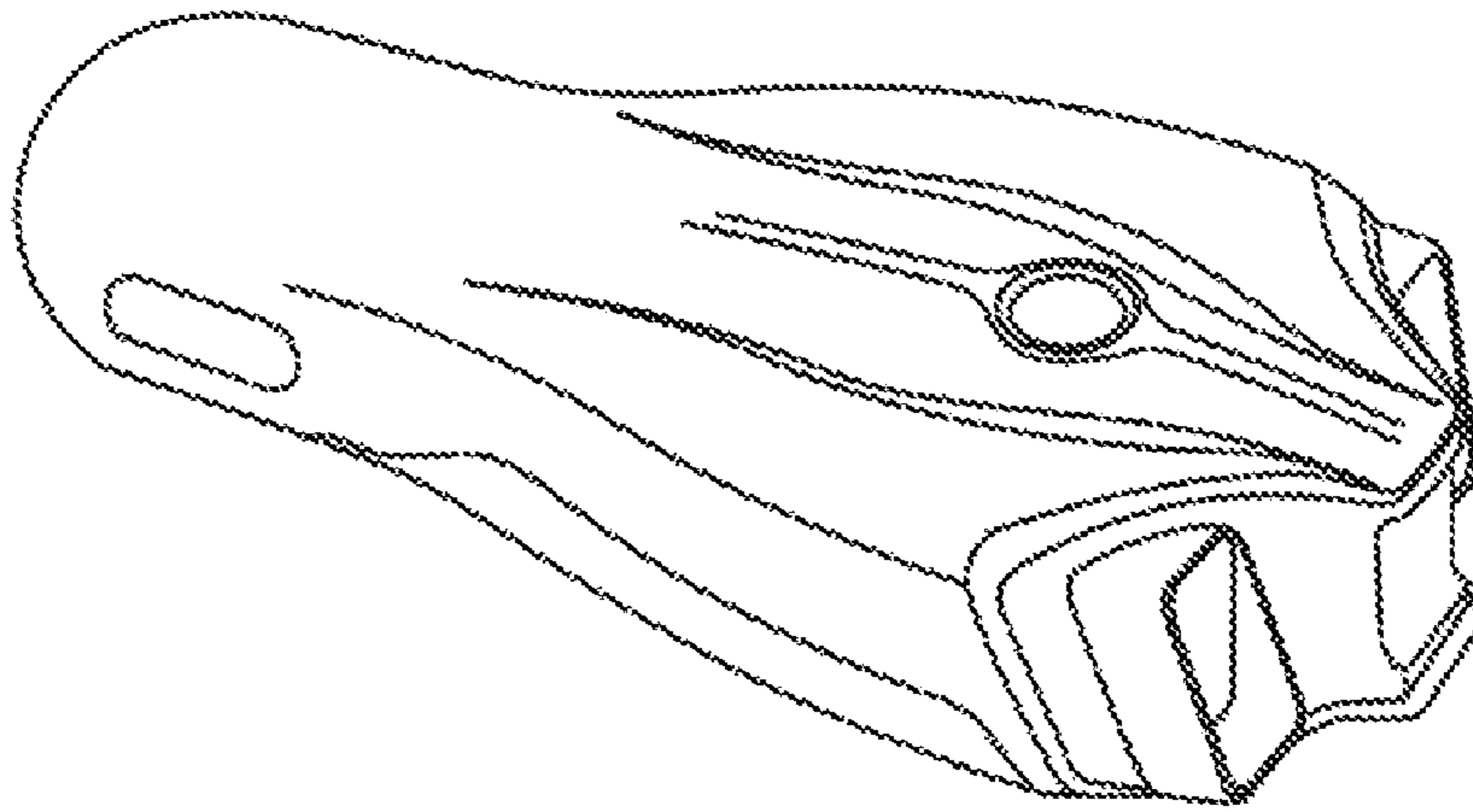
FIG. 5 shows the front view thereof, with prongs in the un-retracted position; and,

FIG. 6 shows the rear view thereof, with prongs in the un-retracted position.

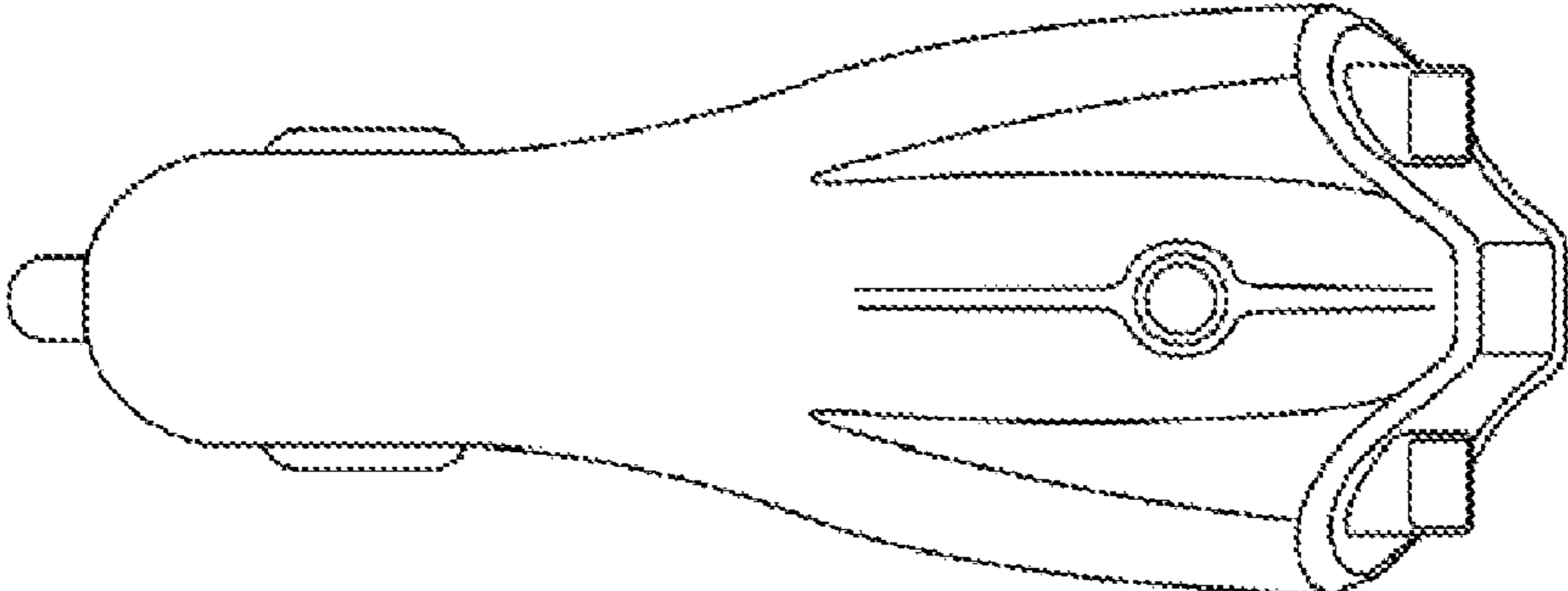
The broken lines shown in the drawings are included for the purpose of illustrating unclaimed portions of the electronic charger and form no part of the claimed design.

**1 Claim, 3 Drawing Sheets**

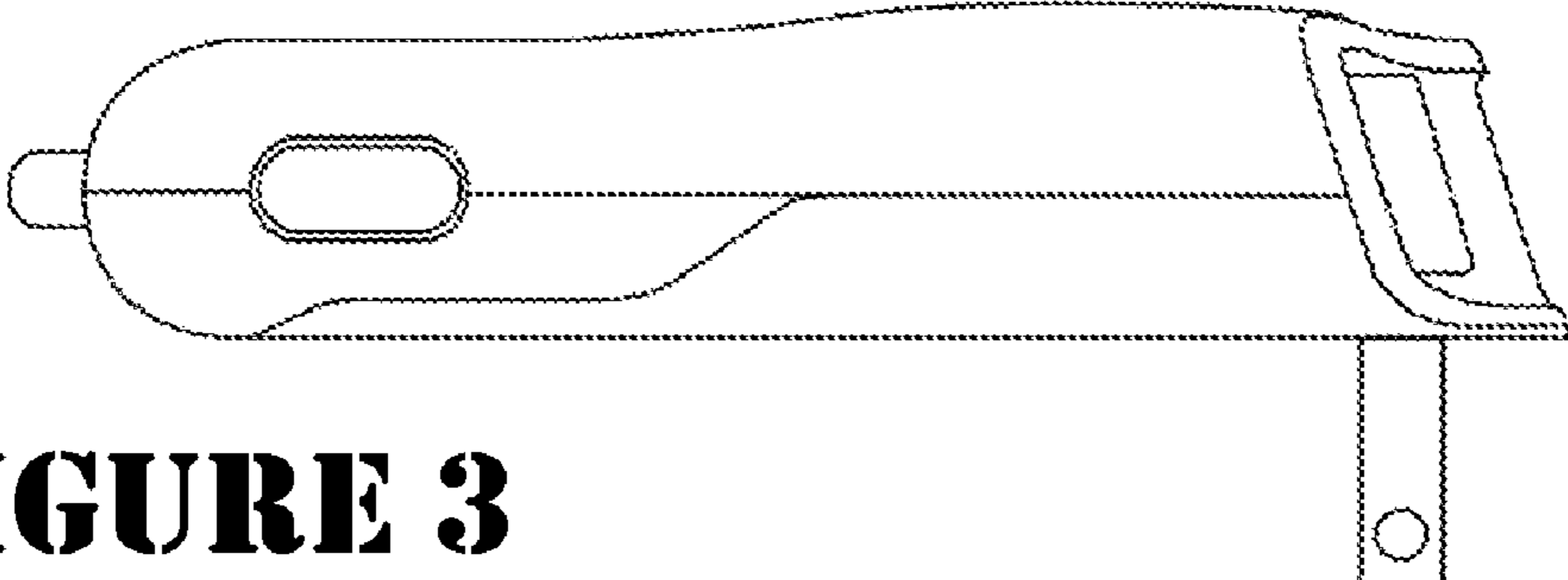




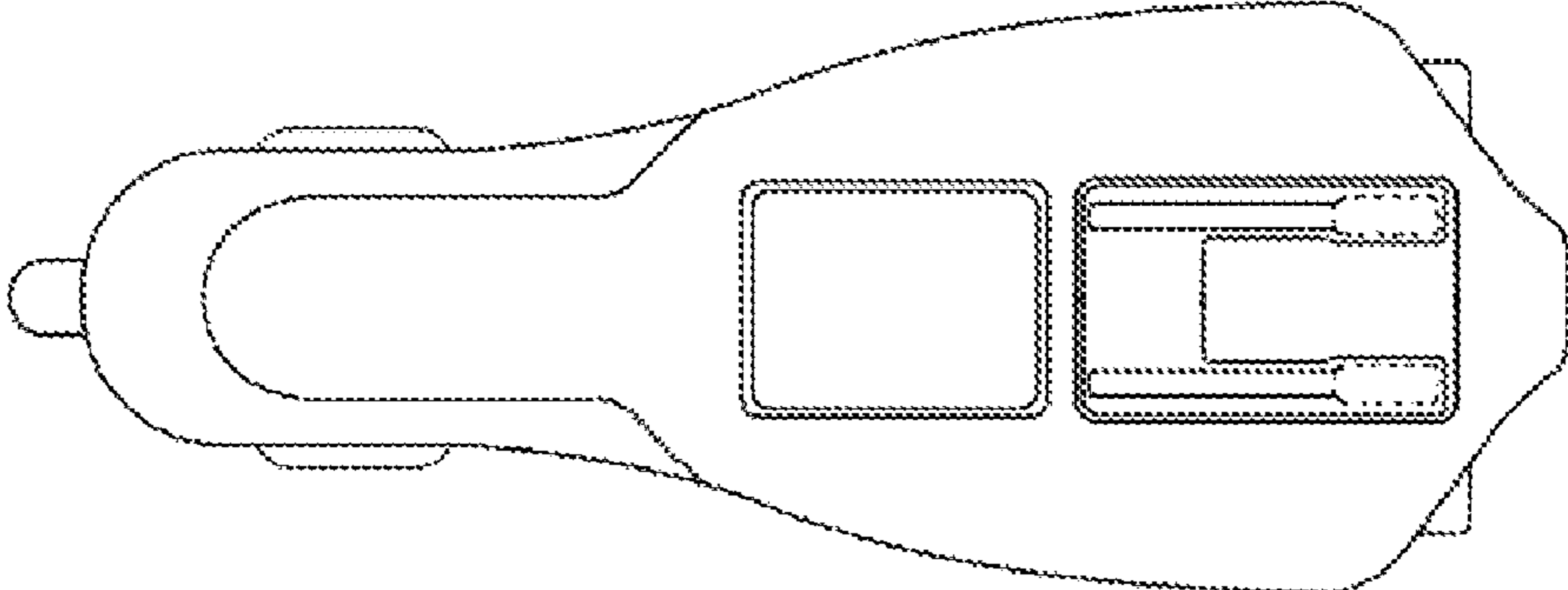
**FIGURE 1**



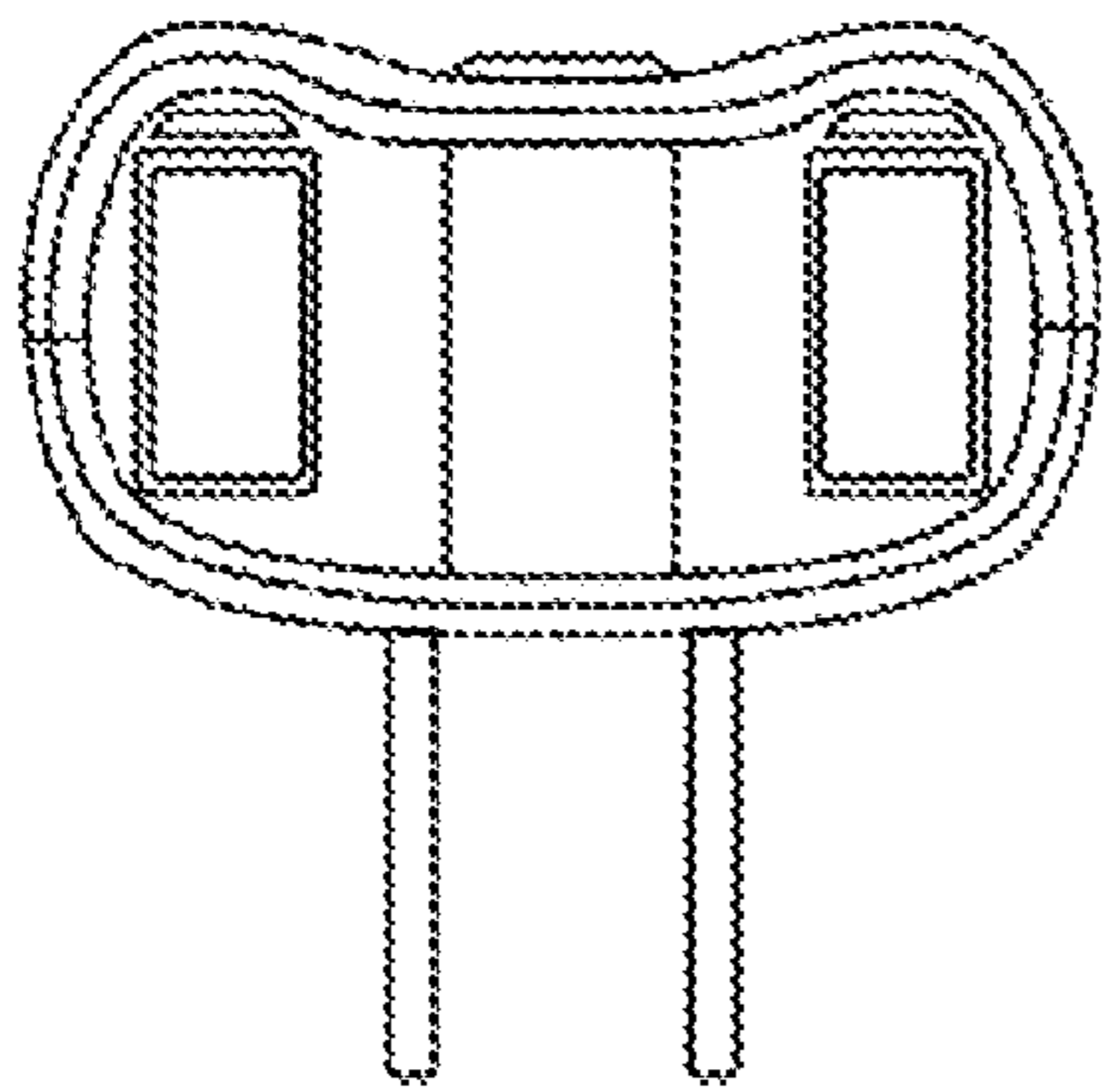
**FIGURE 2**



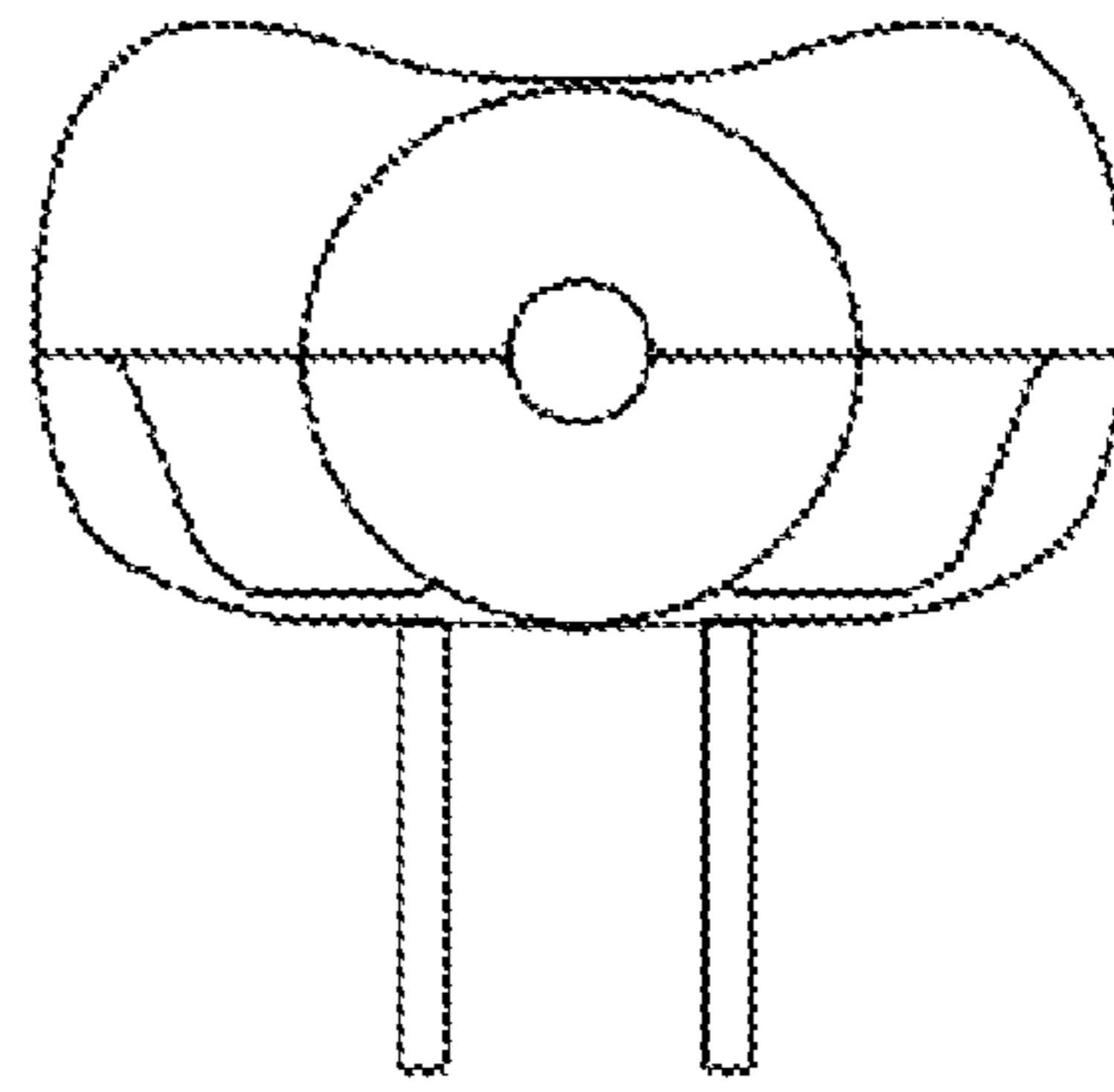
**FIGURE 3**



**FIGURE 4**



**FIGURE 5**



**FIGURE 6**