



US00D639230S

(12) **United States Design Patent**
Kennedy et al.

(10) **Patent No.:** **US D639,230 S**

(45) **Date of Patent:** **** Jun. 7, 2011**

(54) **LOAD STOP**

D571,279 S * 6/2008 Trusty et al. D12/414

* cited by examiner

(75) Inventors: **Neil J. Kennedy**, Woodbury, CT (US);
Andrew James Hughes, New Hartforn,
CT (US); **Joseph R. Flaherty**, Prospect,
CT (US); **Thomas Joel Andersen**,
Hamden, CT (US)

Primary Examiner — Caron Veynar

Assistant Examiner — Katrina A Kile

(74) *Attorney, Agent, or Firm* — Novak Druce + Quigg LLP

(73) Assignee: **Thule Sweden AB**, Hillerstorp (SE)

(57) **CLAIM**

We claim the ornamental design for a load stop, as shown and described.

(**) Term: **14 Years**

(21) Appl. No.: **29/355,004**

DESCRIPTION

(22) Filed: **Feb. 1, 2010**

(51) **LOC (9) Cl.** **12-16**

(52) **U.S. Cl.** **D12/412**

(58) **Field of Classification Search** D12/414,
D12/406, 412, 414.1; 293/37.1, 3, 100;
224/309-310, 315-316, 323-329, 400; D6/552,
D6/317-319, 513-514; D3/304-306; 280/760-762,
280/848, 727, 769; 296/99.1, 37.1, 100.01,
296/100.02, 157; 206/213, 8, 9, 279, 290,
206/713, 335, 315.1-315.4; D32/35, 58
See application file for complete search history.

FIG. 1 is a perspective view of a decorative load stop;
FIG. 2 is a right side elevational view thereof;
FIG. 3 is a left side elevational view thereof;
FIG. 4 is front elevational view thereof;
FIG. 5 is a rear elevational view thereof;
FIG. 6 is a bottom plan view thereof;
FIG. 7 is a top plan view thereof;
FIG. 8 is a cross-sectional view showing the interior side of
the rear of the design;
FIG. 9 is a cross-sectional view showing the interior side of
the front of the design; and,
FIG. 10 is an alternate perspective of the design.

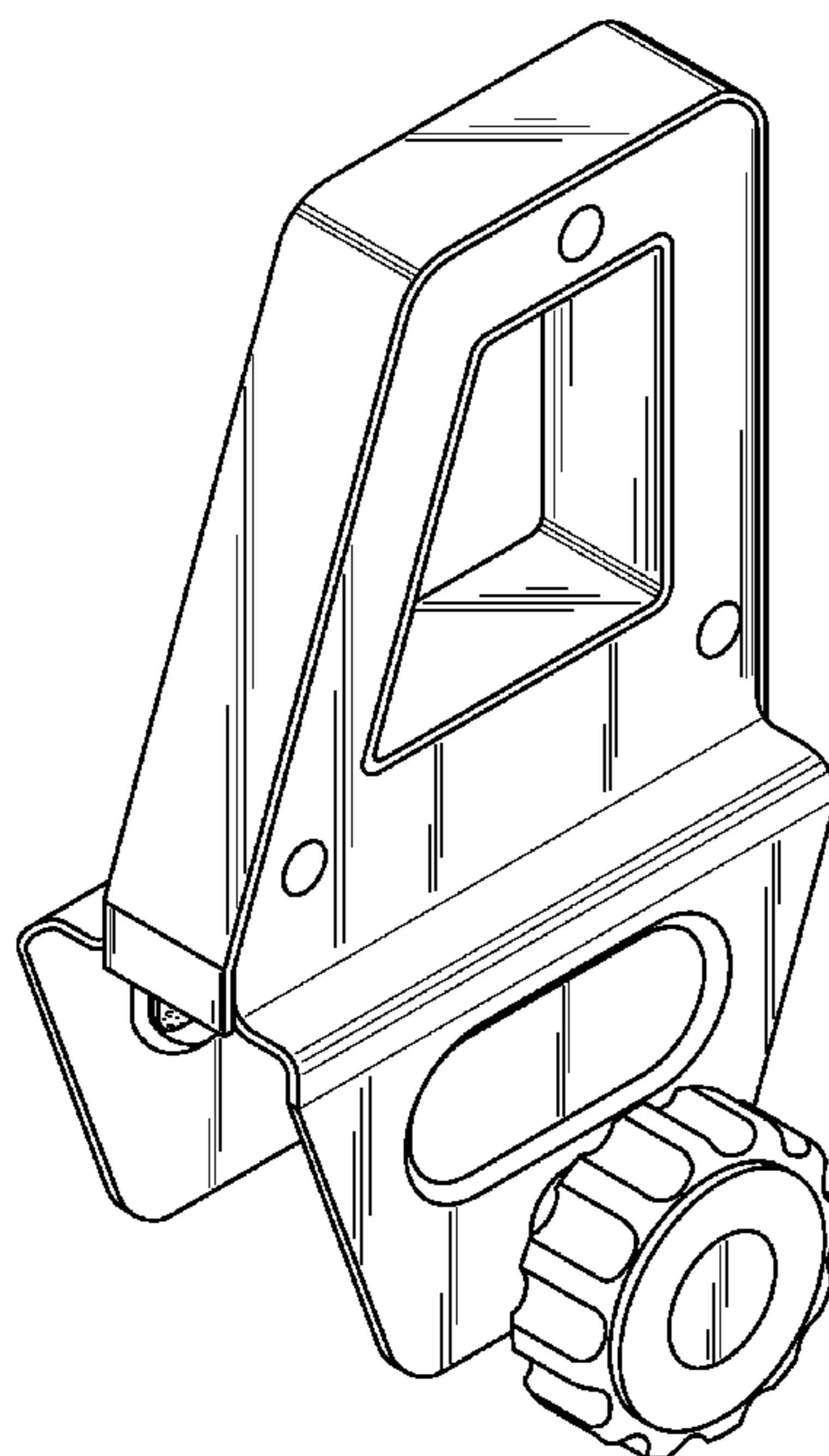
(56) **References Cited**

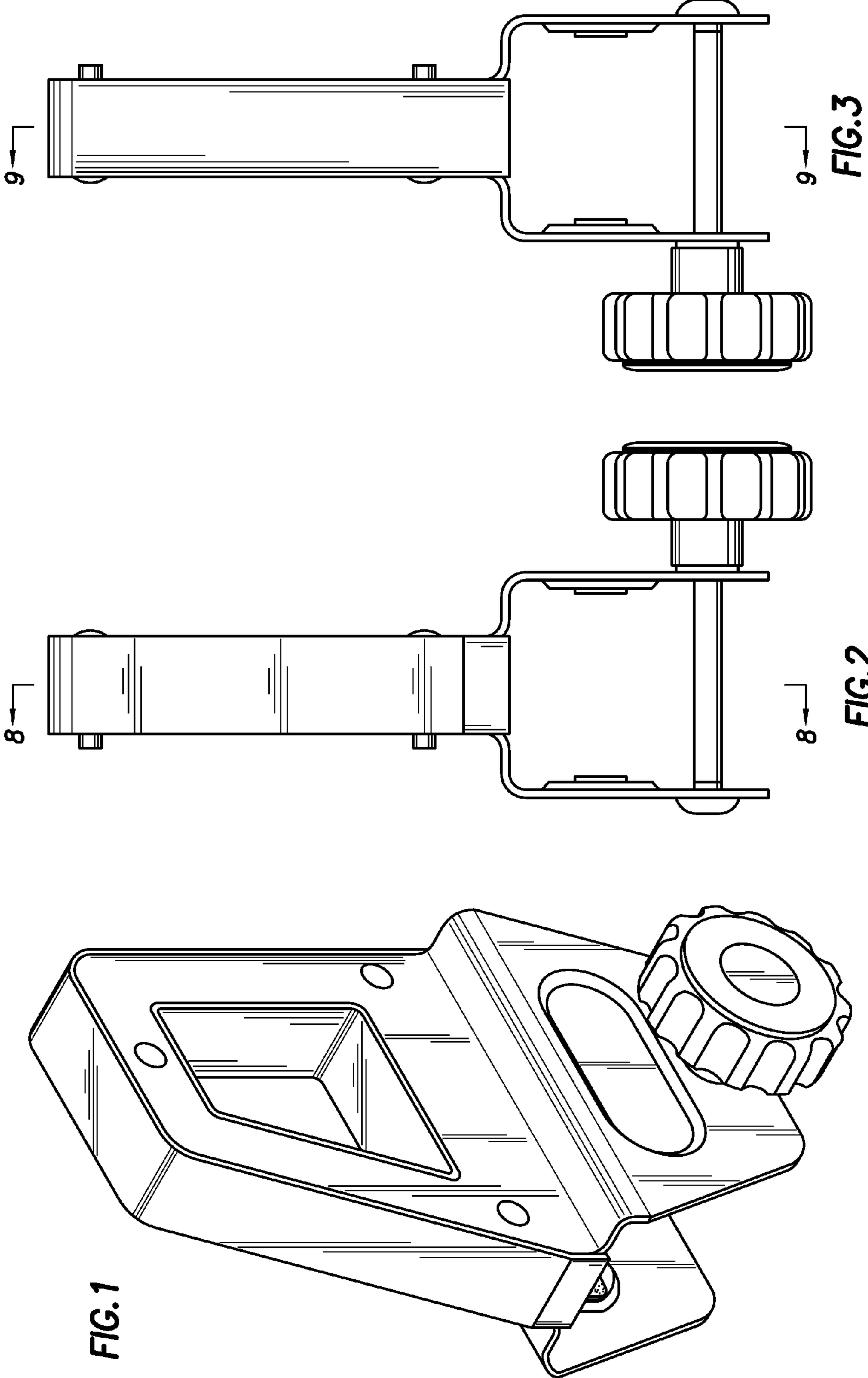
U.S. PATENT DOCUMENTS

4,262,834 A * 4/1981 Nutt 224/324
5,598,959 A * 2/1997 Lorensen et al. 224/315
D406,559 S * 3/1999 Lundgren D12/414
6,062,450 A * 5/2000 Noel et al. 224/315
7,077,266 B2 * 7/2006 Dietrich 206/315.4

The cross sectional views of FIG. 8 and FIG. 9 have been included to show the contours of the surface of interior sides of the design; the upper internal structure does not form a part of the claimed design. The broken lines in FIG. 10 are directed to environment and are for illustrative purposes only; the broken lines form no part of the claimed design.

1 Claim, 5 Drawing Sheets





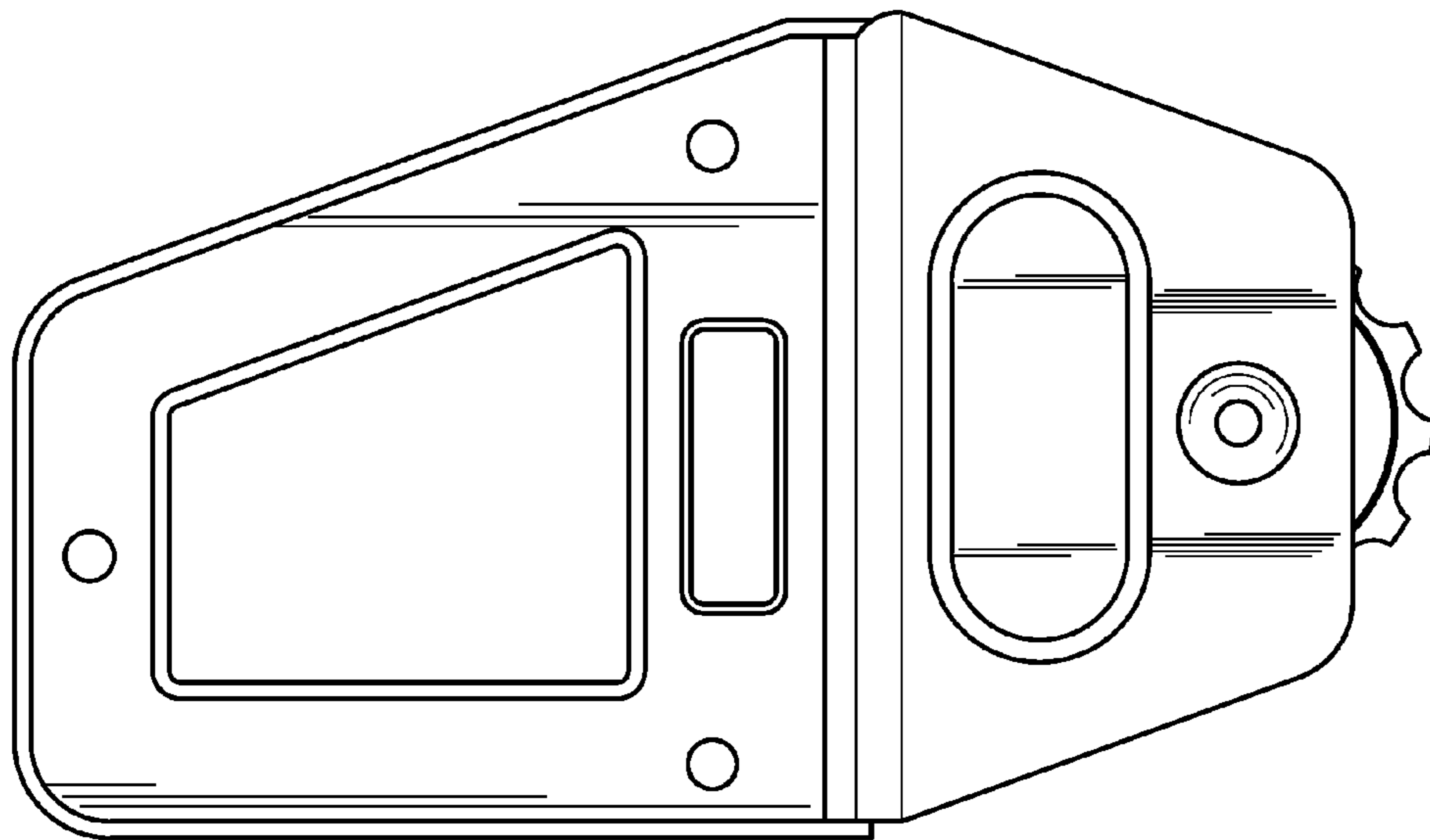


FIG. 5

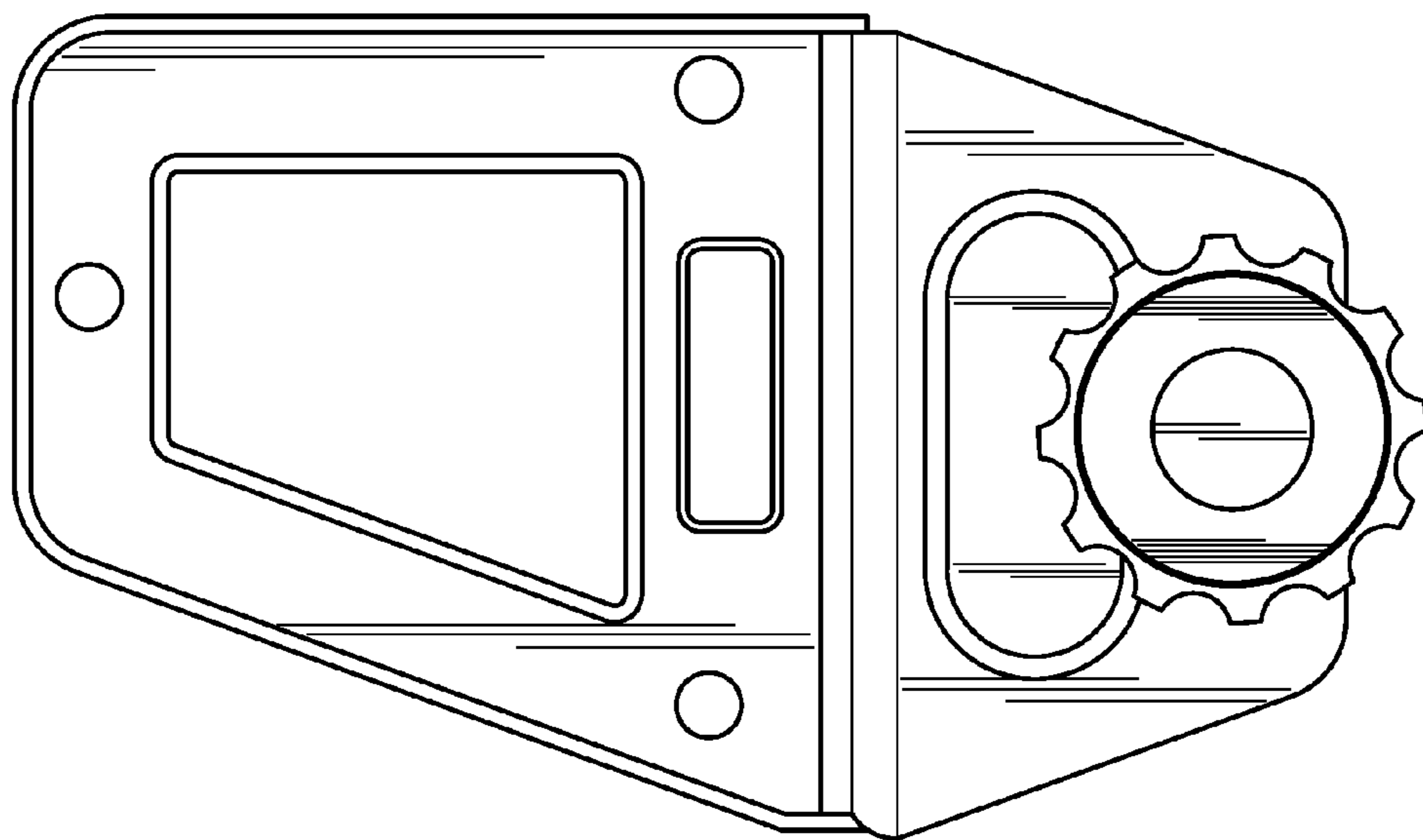


FIG. 4

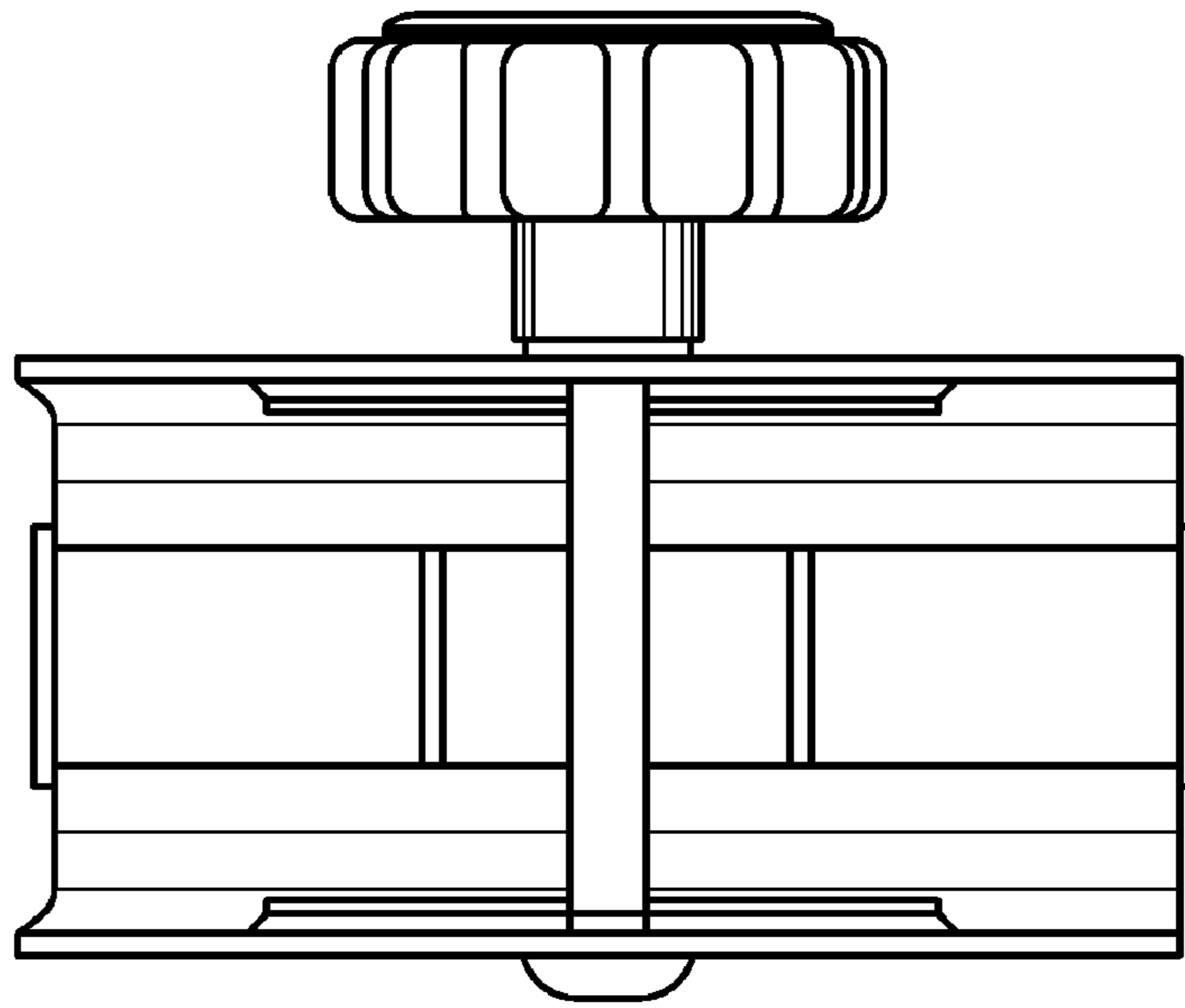


FIG. 6

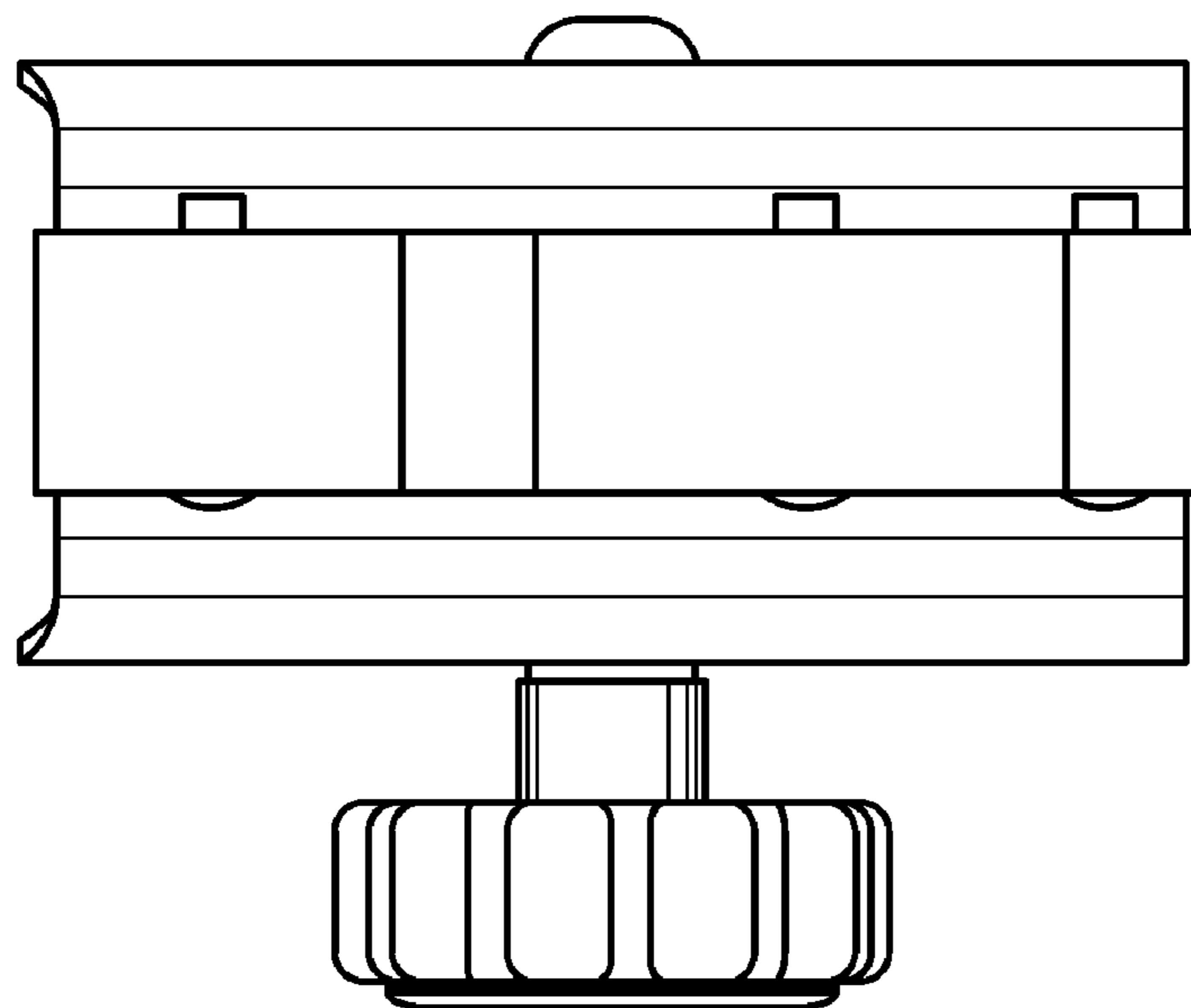


FIG. 7

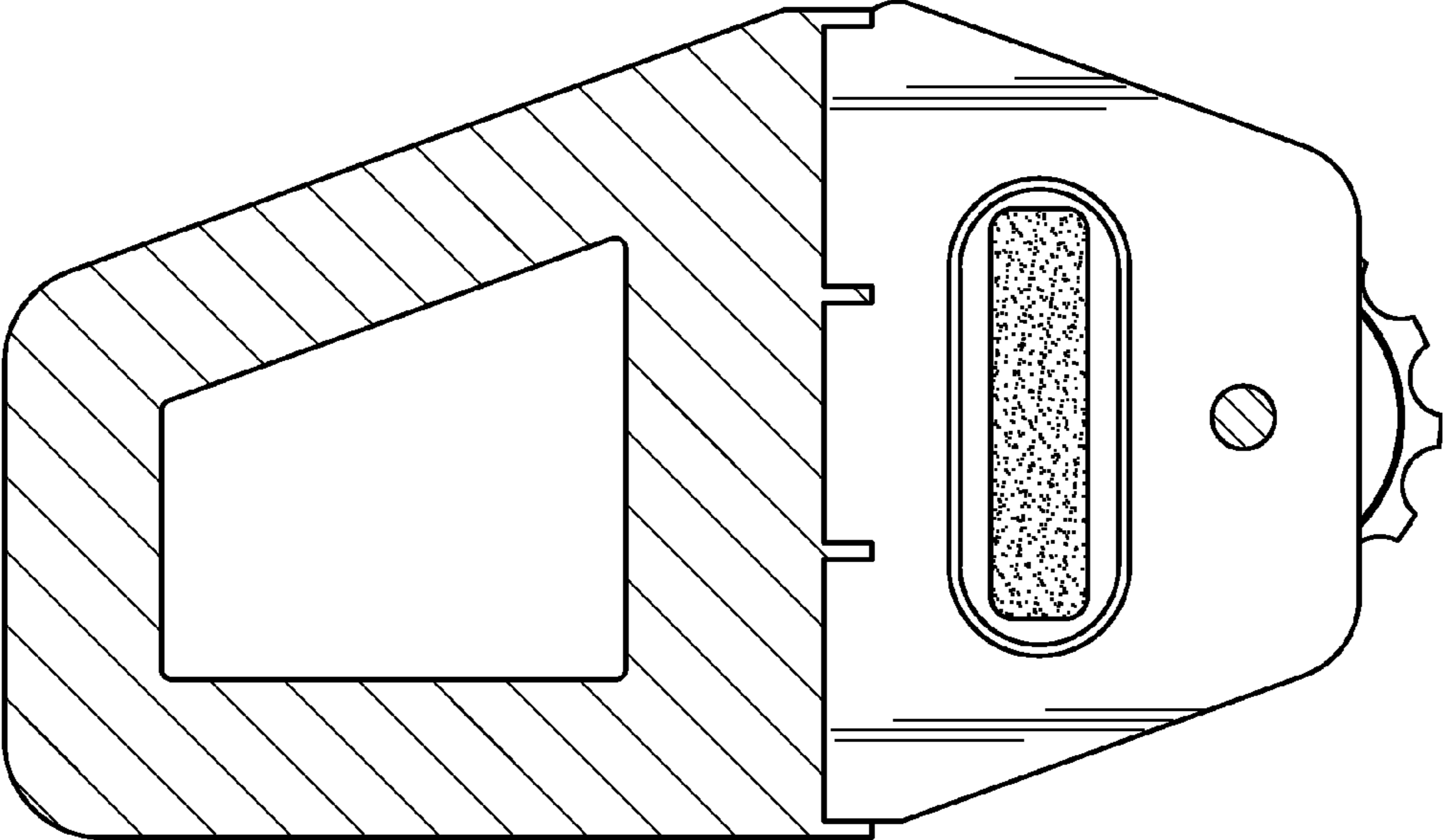


FIG. 8

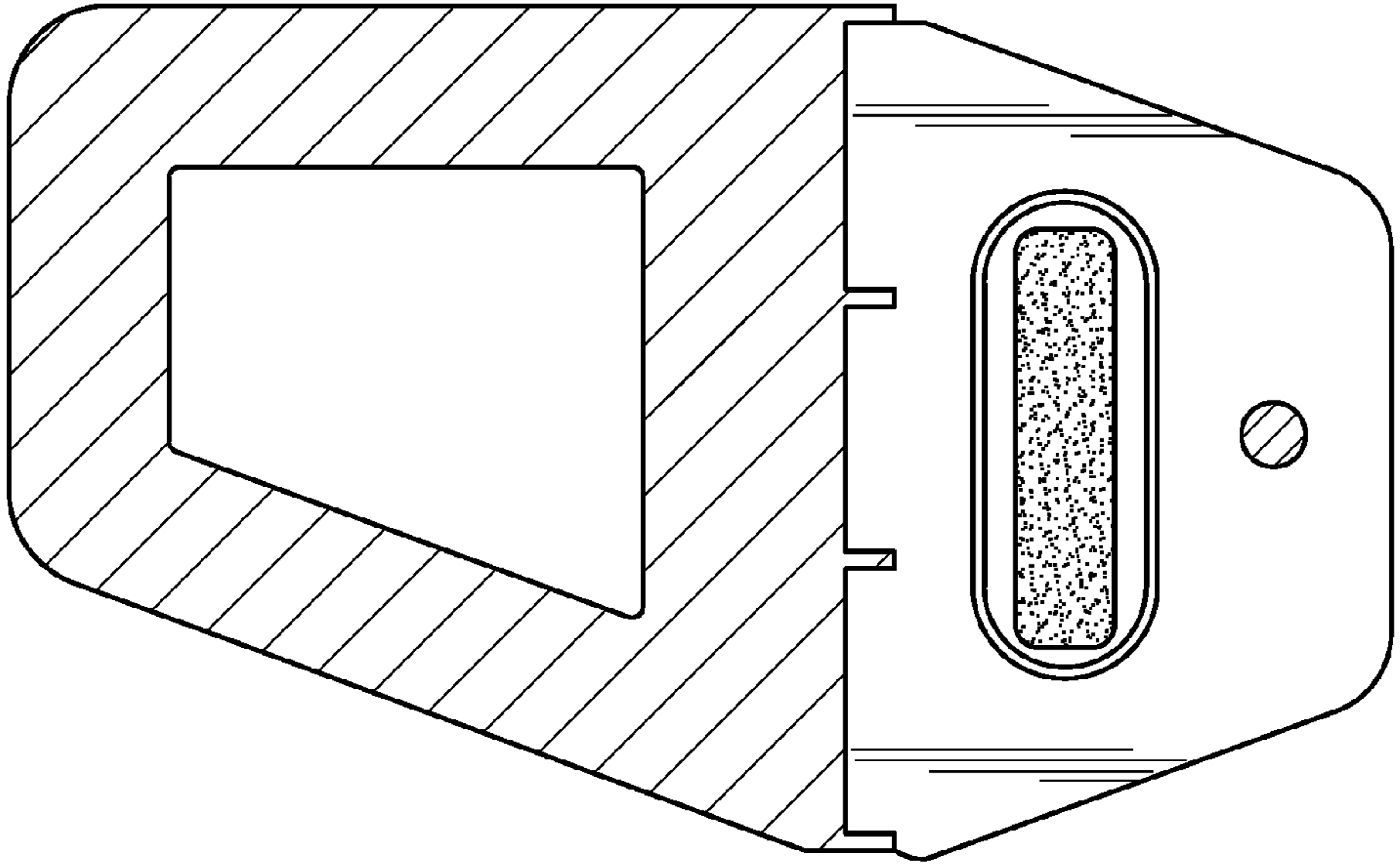


FIG. 9

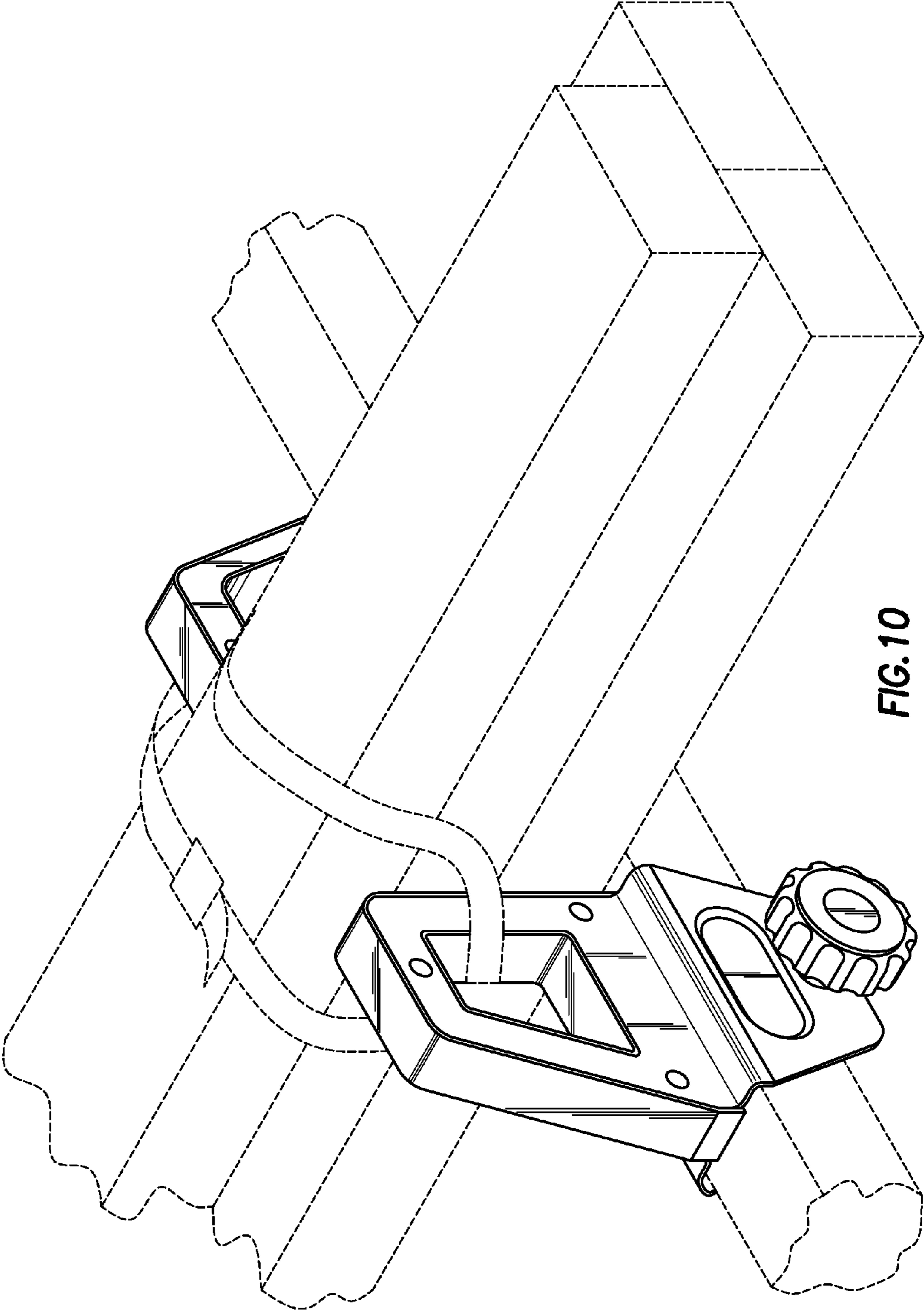


FIG. 10