



US00D639228S

(12) **United States Design Patent**  
**Johnson**

(10) **Patent No.:** **US D639,228 S**

(45) **Date of Patent:** **\*\* Jun. 7, 2011**

(54) **AUTOMOTIVE WHEEL**

(75) Inventor: **Kelly Johnson**, Placentia, CA (US)

(73) Assignee: **MKW Alloy Inc.**, City of Industry, CA (US)

(\*\*) Term: **14 Years**

(21) Appl. No.: **29/382,592**

(22) Filed: **Jan. 5, 2011**

(51) **LOC (9) Cl.** ..... **12-16**

(52) **U.S. Cl.** ..... **D12/211**

(58) **Field of Classification Search** ..... D12/204-213;  
301/37.101, 64.101, 65, 64.201

See application file for complete search history.

(56) **References Cited**

**U.S. PATENT DOCUMENTS**

D245,599 S *	8/1977	De Vries	.....	D12/211
D288,313 S *	2/1987	Sandberg	.....	D12/211
D438,503 S *	3/2001	Syring	.....	D12/211
D453,136 S *	1/2002	Frizzi	.....	D12/211
D516,990 S *	3/2006	Schweizer	.....	D12/211
D548,166 S *	8/2007	Young	.....	D12/211

D570,276 S *	6/2008	Chung	.....	D12/211
D590,317 S *	4/2009	Chung	.....	D12/211
D592,119 S *	5/2009	Heizmann	.....	D12/211
D596,101 S *	7/2009	Tant et al.	.....	D12/211
D614,112 S *	4/2010	Tant et al.	.....	D12/211
D615,917 S *	5/2010	Zhao	.....	D12/211
D616,801 S *	6/2010	Zhao	.....	D12/211
D620,874 S *	8/2010	Zhao	.....	D12/211
D629,347 S *	12/2010	Kim	.....	D12/211
D633,028 S *	2/2011	Kim	.....	D12/211

\* cited by examiner

*Primary Examiner* — Stacia Cadmus

(74) *Attorney, Agent, or Firm* — MKW Alloy Inc.; Kevin Lee

(57) **CLAIM**

The ornamental design for an automotive wheel, as shown and described.

**DESCRIPTION**

FIG. 1 is a front elevation view of the automotive wheel of the instant invention; and,  
FIG. 2 is a perspective view of the automotive wheel of the instant invention.

**1 Claim, 2 Drawing Sheets**

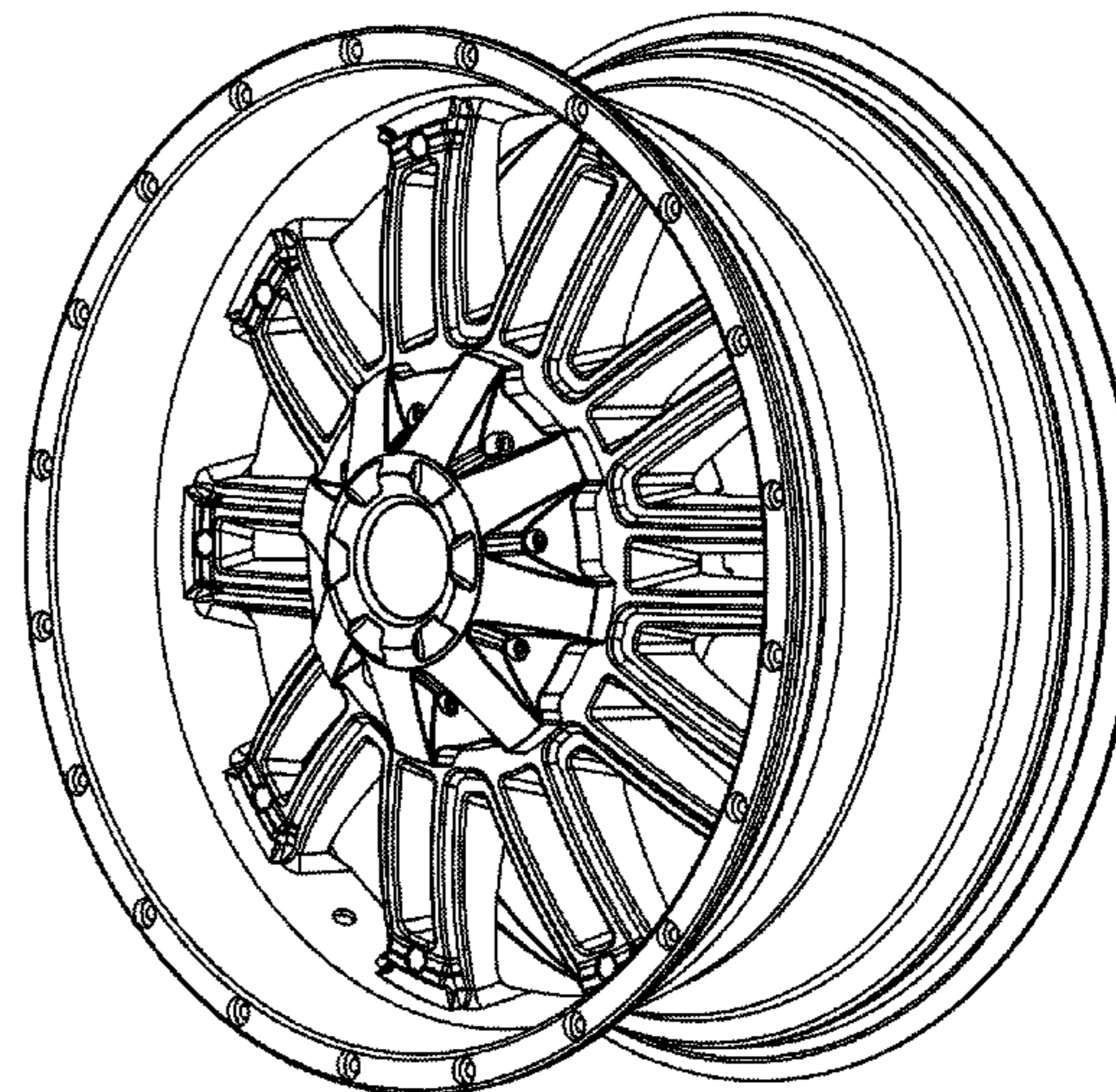
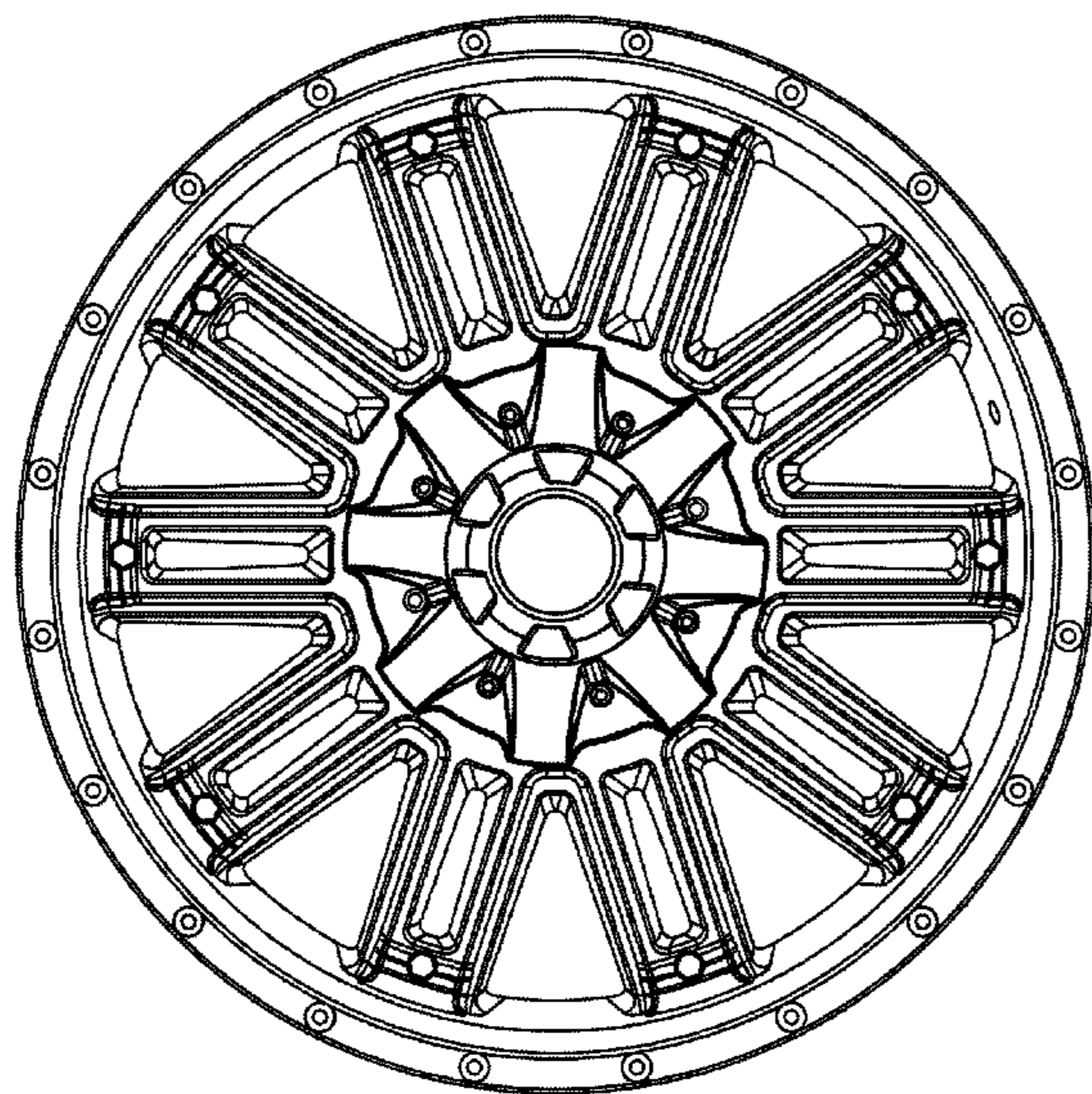




FIGURE 1

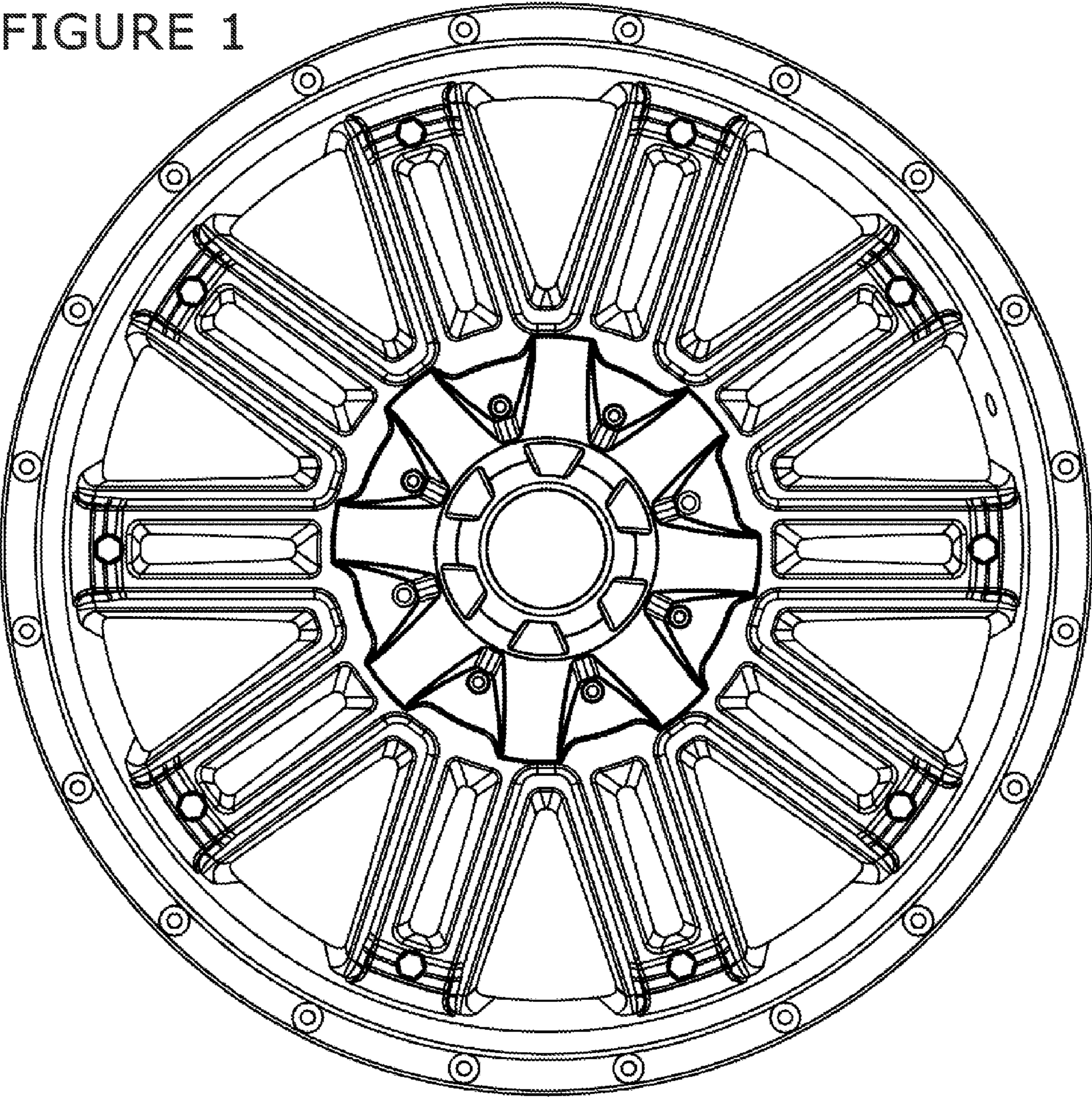


FIGURE 2

