



US00D639226S

(12) **United States Design Patent**
Juergens et al.

(10) **Patent No.:** **US D639,226 S**
(45) **Date of Patent:** **** Jun. 7, 2011**

(54) **WHEEL OR WHEEL COVER**

(75) Inventors: **Dirk Juergens**, Munich (DE); **Rainer Mueller**, Munich (DE)

(73) Assignee: **Bayerische Motoren Werke Aktiengesellschaft**, Munich (DE)

(**) Term: **14 Years**

(21) Appl. No.: **29/371,124**

(22) Filed: **Oct. 27, 2010**

(30) **Foreign Application Priority Data**

Apr. 28, 2010 (DE) 40 2010 002 511

(51) **LOC (9) Cl.** **12-16**

(52) **U.S. Cl.** **D12/211**

(58) **Field of Classification Search** D12/204-213;
301/37.101, 64.101, 65, 64.201

See application file for complete search history.

(56) **References Cited**

U.S. PATENT DOCUMENTS

D392,239 S *	3/1998	Cullen	D12/211
D415,991 S *	11/1999	Wang	D12/211
D477,556 S *	7/2003	Koch	D12/211
D508,007 S *	8/2005	Koch	D12/211
D520,434 S	5/2006	Fahr-Becker		
D525,184 S *	7/2006	Huet	D12/211
D527,333 S *	8/2006	Blasi	D12/211
D540,240 S	4/2007	Kountouras		
D593,476 S	6/2009	Juergens et al.		
D596,552 S *	7/2009	Beermann	D12/211
D612,230 S *	3/2010	Tanner	D8/387
D617,249 S	6/2010	Juergens et al.		

D617,715 S *	6/2010	Gallert	D12/211
D617,717 S	6/2010	Nordmann		
D619,071 S *	7/2010	Christensen et al.	D12/211
D620,871 S	8/2010	Juergens et al.		
D628,948 S *	12/2010	Chung	D12/211

FOREIGN PATENT DOCUMENTS

EM	000226436-0004	11/2004
EM	000473517-0001	3/2006
EM	000997572-0003	10/2008
EM	001598277-0003	1/2010
EM	001621541-0002	8/2010
EM	001744640-0006	8/2010
EM	001636978-0015	11/2010

* cited by examiner

Primary Examiner — Stacia Cadmus

(74) *Attorney, Agent, or Firm* — Crowell & Moring LLP

(57) **CLAIM**

The ornamental design for a wheel or wheel cover, as shown and described.

DESCRIPTION

This application contains subject matter related to the following co-pending U.S. design patent application:

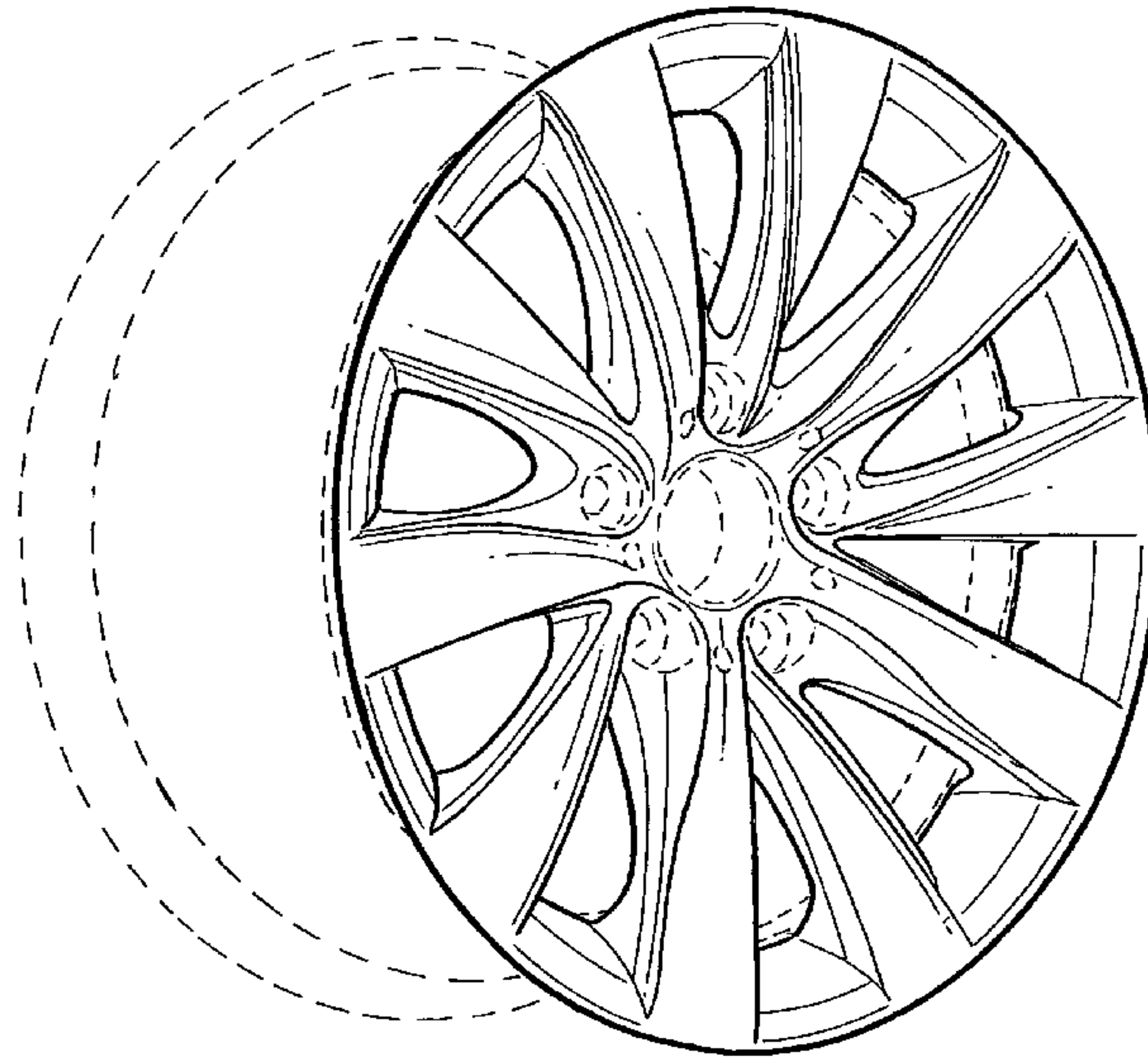
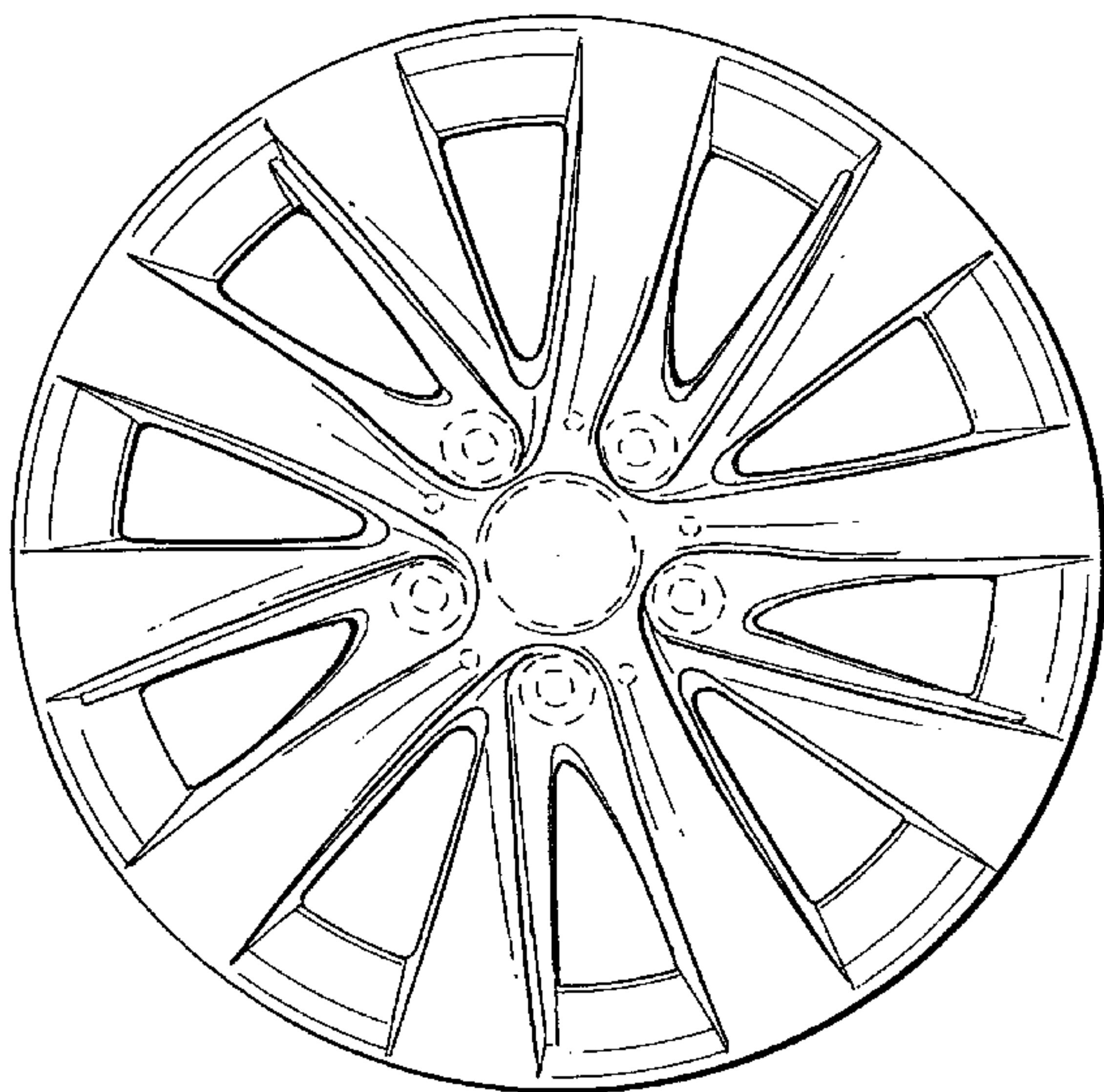
Application Ser. No. 29/347,970, filed Aug. 20, 2010 and entitled "Wheel or Wheel Cover."

FIG. 1 is a front view of a wheel or wheel cover according to our design; and,

FIG. 2 is a perspective view thereof.

The broken line showing of the rear of the rim and the bolt holes and the center cap in the central hub area is included for the purpose of illustrating environment and forms no part of the claimed design.

1 Claim, 1 Drawing Sheet



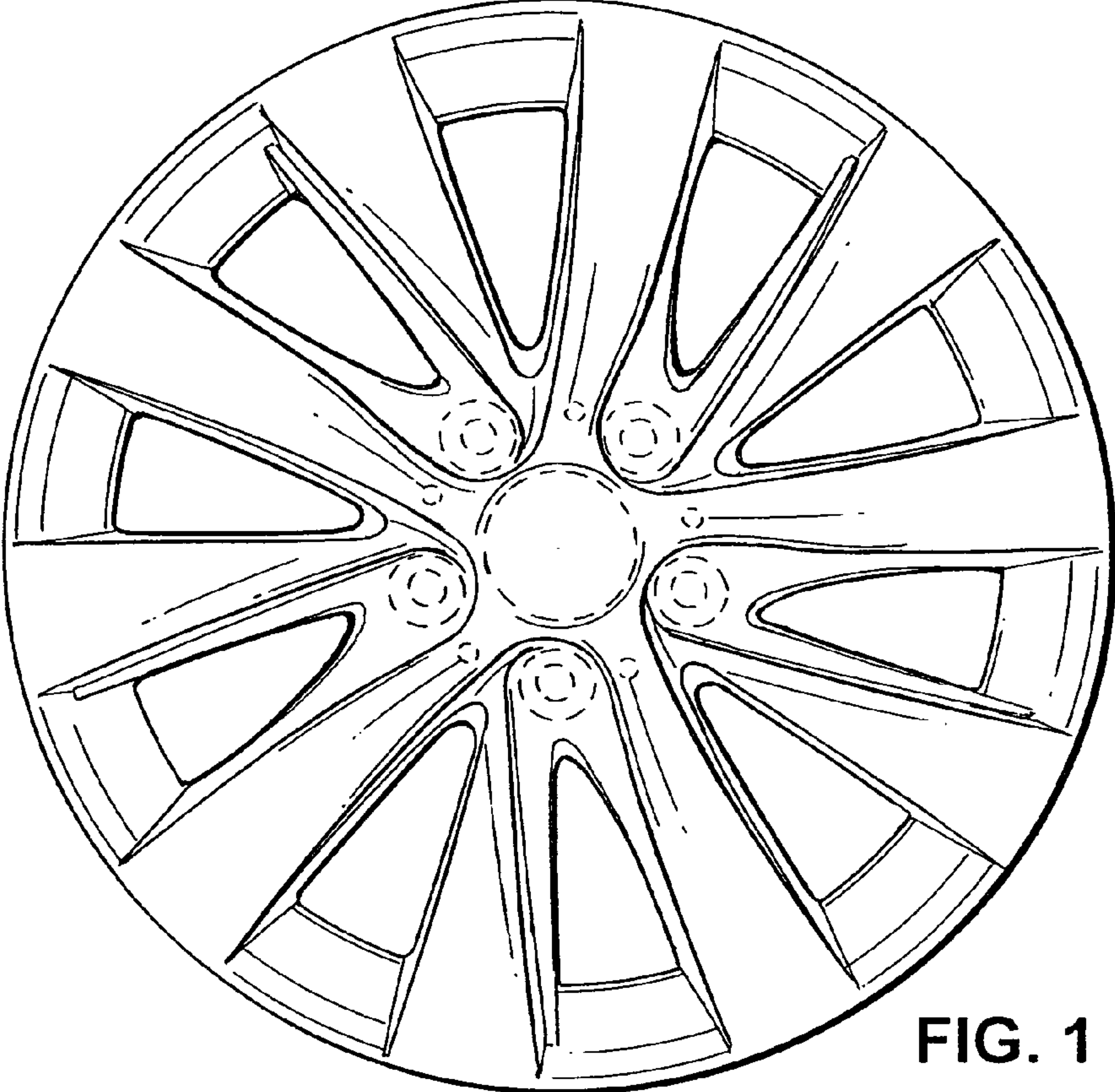


FIG. 1

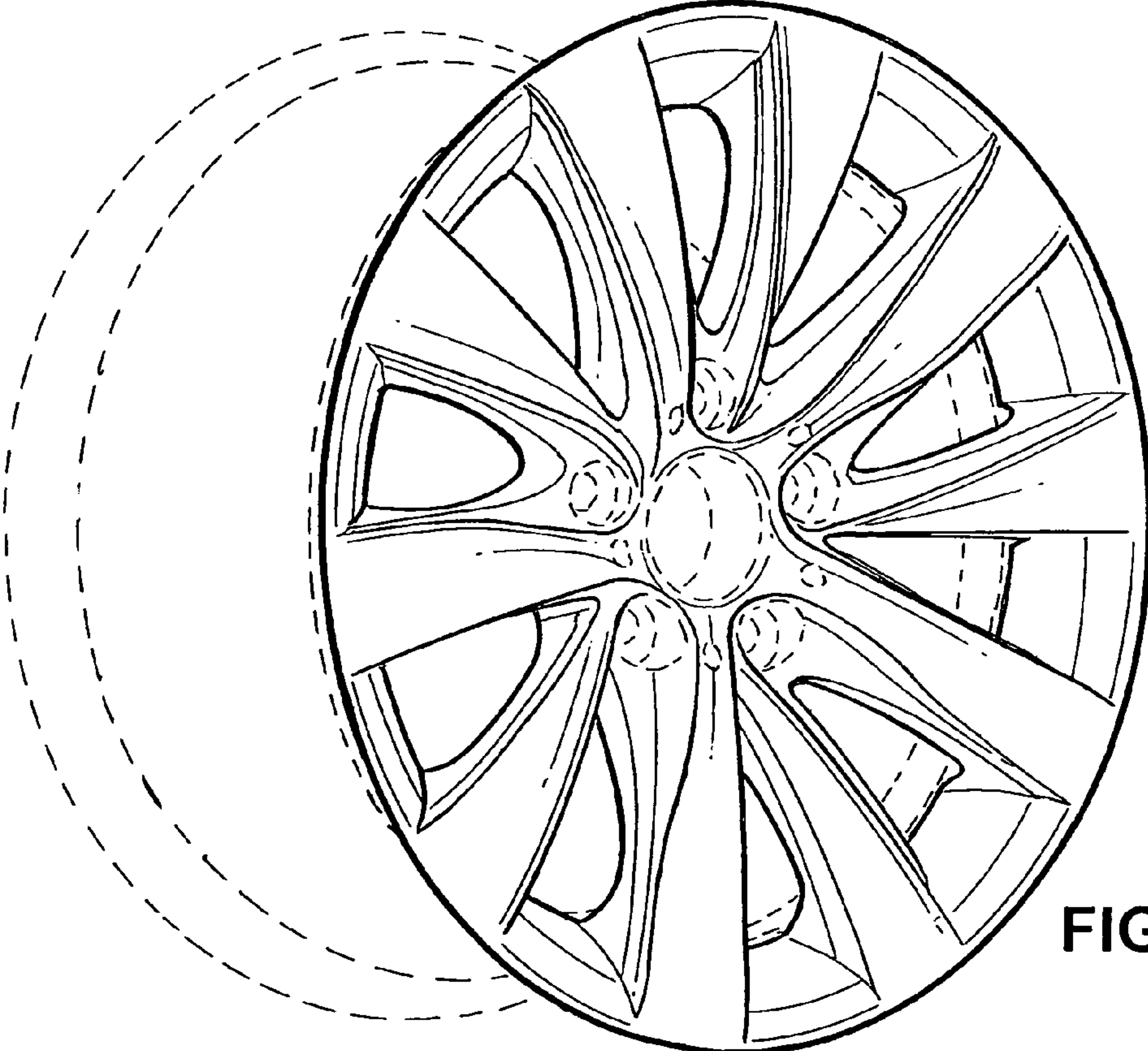


FIG. 2