

US00D639225S

(12) **United States Design Patent**  
**Forschner**

(10) **Patent No.:** **US D639,225 S**  
(45) **Date of Patent:** **\*\* Jun. 7, 2011**

(54) **WHEEL OR WHEEL COVER**

(75) Inventor: **Anne Kristina Forschner**, Munich (DE)

(73) Assignee: **Bayerische Motoren Werke  
Aktiengesellschaft**, Munich (DE)

(\*\*) Term: **14 Years**

(21) Appl. No.: **29/371,123**

(22) Filed: **Oct. 27, 2010**

(30) **Foreign Application Priority Data**

Apr. 28, 2010 (DE) ..... 40 2010 002 511

(51) **LOC (9) Cl.** ..... **12-16**

(52) **U.S. Cl.** ..... **D12/211**

(58) **Field of Classification Search** ..... D12/204-213;  
301/37.101, 64.101, 65, 64.201

See application file for complete search history.

(56) **References Cited**

**U.S. PATENT DOCUMENTS**

D392,239 S *	3/1998	Cullen	.....	D12/211
D415,991 S *	11/1999	Wang	.....	D12/211
D477,556 S *	7/2003	Koch	.....	D12/211
D503,668 S	4/2005	Boyer		
D508,007 S *	8/2005	Koch	.....	D12/211
D513,728 S *	1/2006	Yazawa et al.	.....	D12/211
D525,184 S	7/2006	Huet		
D584,211 S *	1/2009	Farny	.....	D12/211
D593,476 S	6/2009	Juergens et al.		
D594,801 S *	6/2009	Imai	.....	D12/211
D609,624 S *	2/2010	Matsubara	.....	D12/211
D617,249 S *	6/2010	Juergens et al.	.....	D12/211

D617,717 S *	6/2010	Nordmann	.....	D12/211
D619,071 S *	7/2010	Christensen et al.	.....	D12/211
D620,871 S	8/2010	Juergens et al.		
D628,948 S *	12/2010	Chung	.....	D12/211

**FOREIGN PATENT DOCUMENTS**

EM	000010442-0007	7/2003
EM	000422795-0004	12/2005
EM	000997572-0003	10/2008
EM	001744640-0006	8/2010
EM	001636978-0015	11/2010

\* cited by examiner

*Primary Examiner* — Stacia Cadmus

(74) *Attorney, Agent, or Firm* — Crowell & Moring LLP

(57) **CLAIM**

The ornamental design for a wheel or wheel cover, as shown and described.

**DESCRIPTION**

This application contains subject matter related to the following co-pending U.S. design patent application:

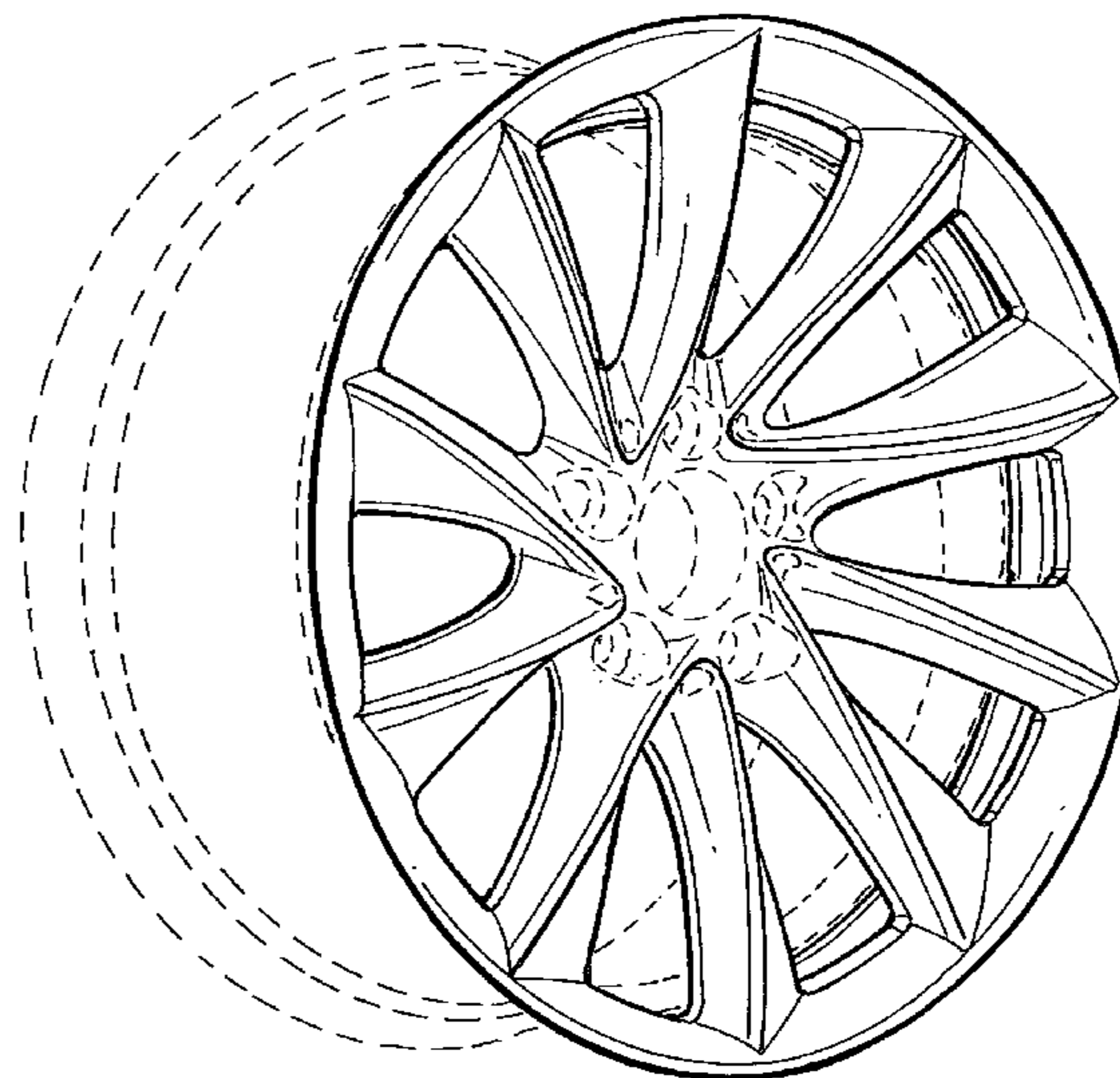
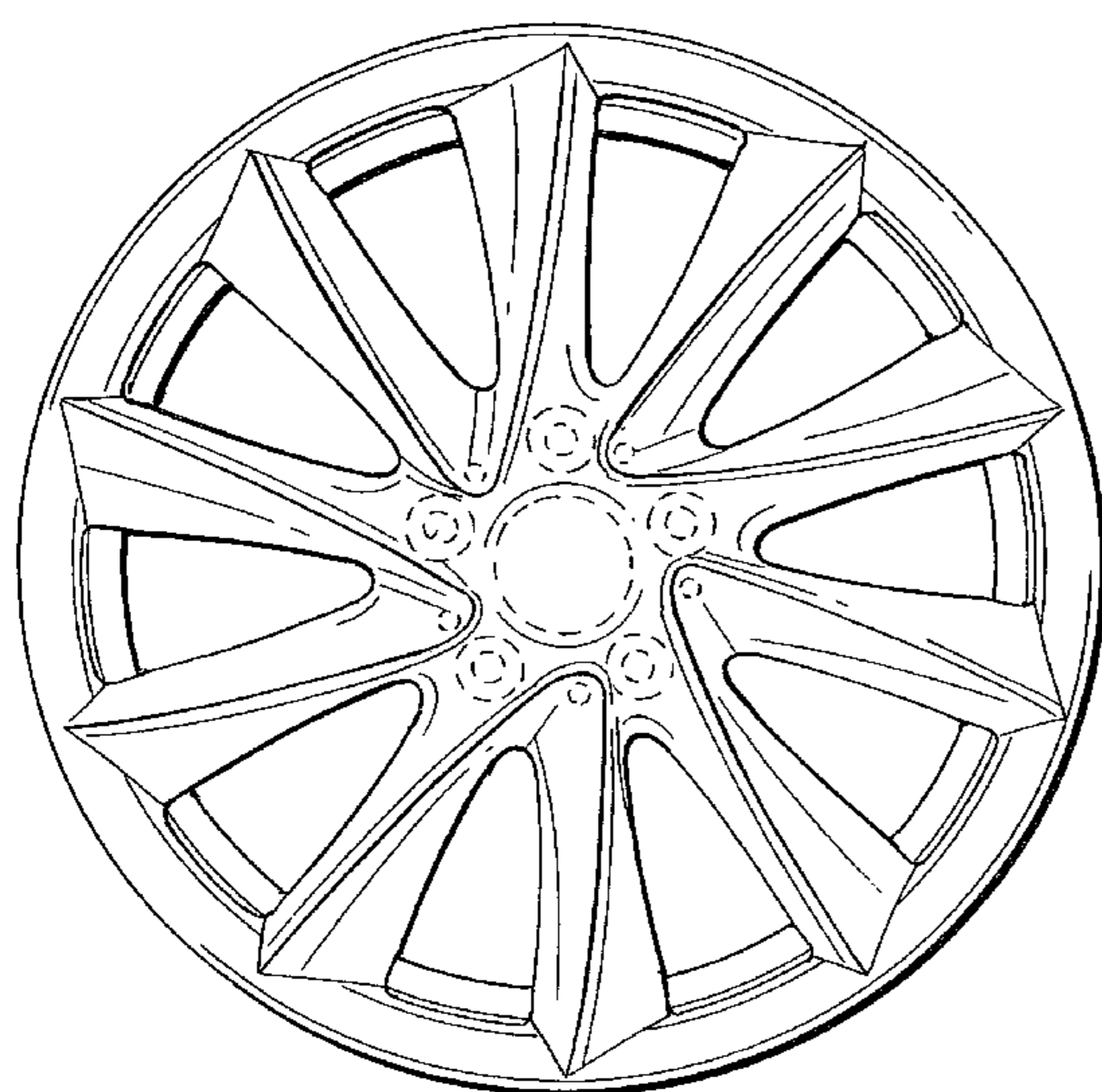
Application Ser. No. 29/347,970, filed Aug. 20, 2010 and entitled "Wheel or Wheel Cover."

FIG. 1 is a front view of a wheel or wheel cover according to my design; and,

FIG. 2 is a perspective view thereof.

The broken line showing of the rear of the rim and the bolt holes and the center cap in the central hub area is included for the purpose of illustrating environment and forms no part of the claimed design.

**1 Claim, 1 Drawing Sheet**



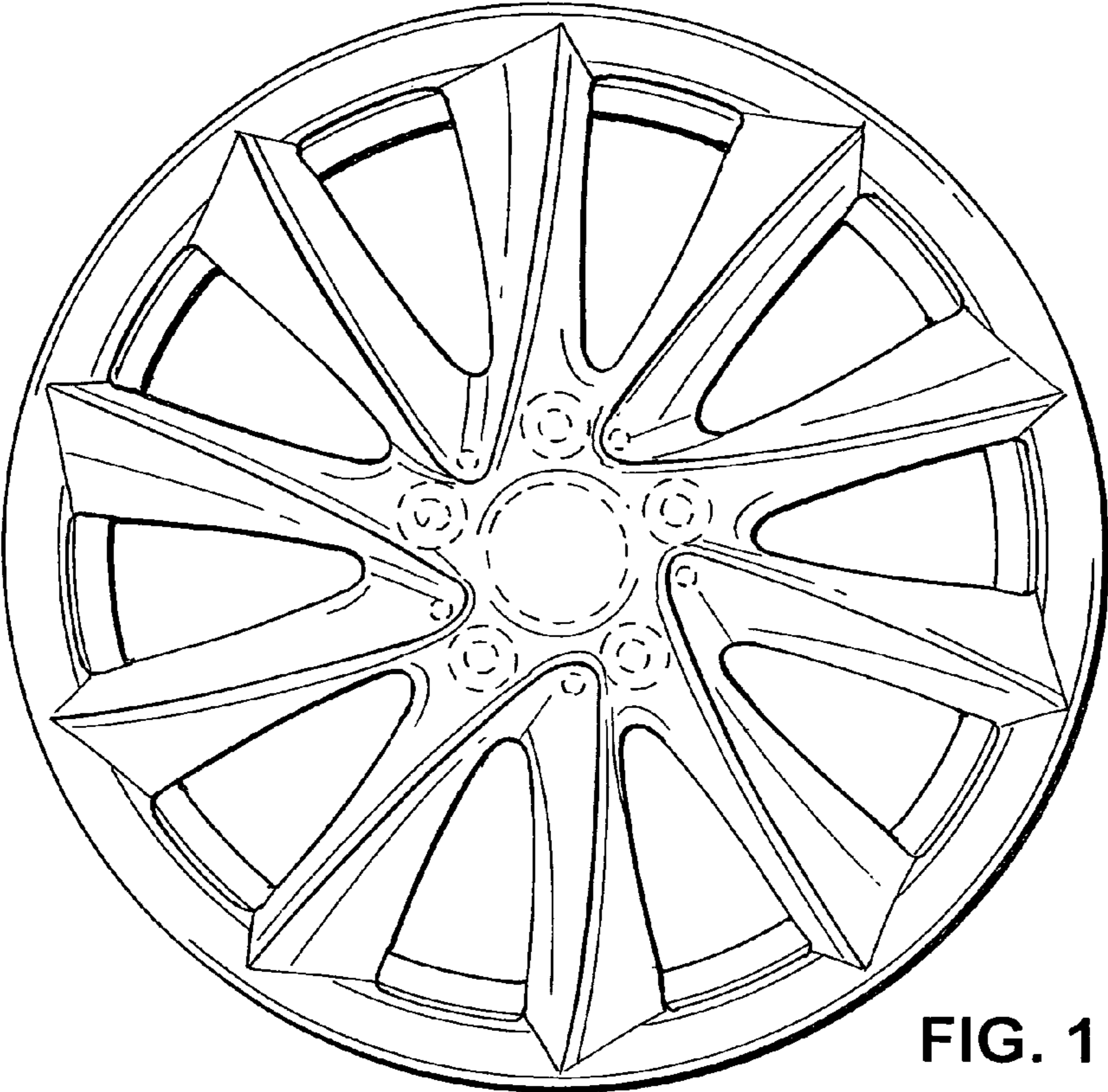


FIG. 1

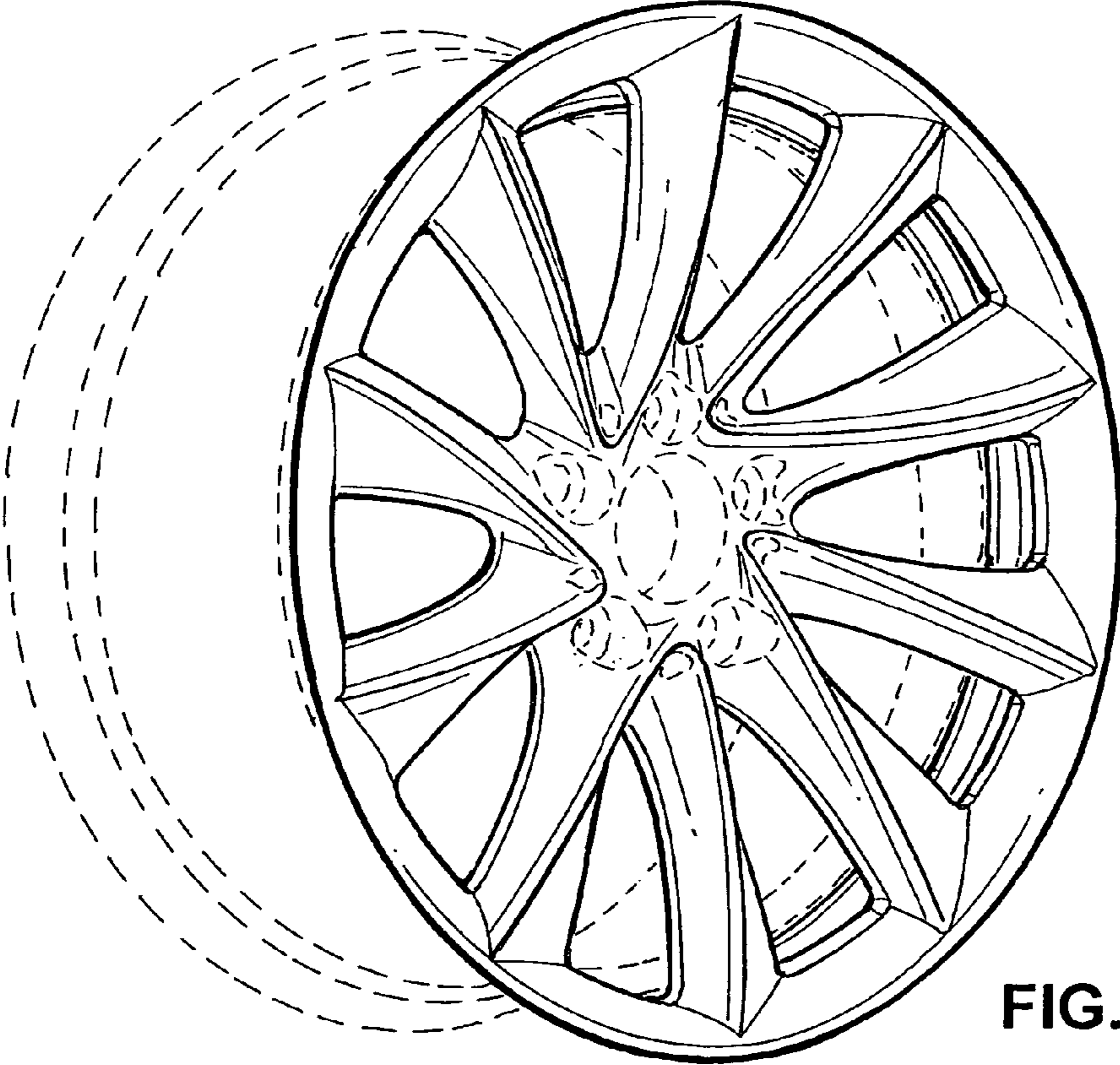


FIG. 2