

US00D639224S

(12) **United States Design Patent**  
**Szews**

(10) **Patent No.:** **US D639,224 S**  
(45) **Date of Patent:** **\*\* Jun. 7, 2011**

(54) **WHEEL OR WHEEL COVER**

(75) Inventor: **Krzysztof Szews, Munich (DE)**

(73) Assignee: **Bayerische Motoren Werke Aktiengesellschaft, Munich (DE)**

(\*\*) Term: **14 Years**

(21) Appl. No.: **29/371,122**

(22) Filed: **Oct. 27, 2010**

(30) **Foreign Application Priority Data**

Apr. 28, 2010 (DE) ..... 40 2010 002 511

(51) **LOC (9) Cl.** ..... **12-16**

(52) **U.S. Cl.** ..... **D12/211**

(58) **Field of Classification Search** ..... D12/204-213;  
301/37.101, 64.101, 65, 64.201

See application file for complete search history.

(56) **References Cited**

**U.S. PATENT DOCUMENTS**

D325,019 S	3/1992	Boyer	
D402,951 S *	12/1998	Wechner	D12/211
D419,945 S *	2/2000	Hartanto	D12/211
D479,178 S *	9/2003	Lai	D12/211
D493,764 S *	8/2004	Sulahian	D12/211
D499,686 S *	12/2004	Song	D12/211
D509,467 S	9/2005	Gabath	
D516,489 S *	3/2006	Alonso	D12/211
D522,954 S *	6/2006	Hueller	D12/211
D541,203 S *	4/2007	Sulahian	D12/211
D555,567 S *	11/2007	Schweizer	D12/211
D578,053 S *	10/2008	Neeper	D12/211

D598,357 S *	8/2009	Chung	D12/211
D628,136 S	11/2010	Leclercq	
D630,993 S *	1/2011	Cortes	D12/211

**FOREIGN PATENT DOCUMENTS**

DE	M8905980.8	4/1990
EM	000226436-0005	11/2004
EM	000997572-0005	10/2008
EM	001693599-0002	4/2010
EM	001693599-0005	4/2010
EM	001636978-0012	11/2010

\* cited by examiner

*Primary Examiner* — Stacia Cadmus

(74) *Attorney, Agent, or Firm* — Crowell & Moring LLP

(57) **CLAIM**

The ornamental design for a wheel or wheel cover, as shown and described.

**DESCRIPTION**

This application contains subject matter related to the following co-pending U.S. design patent application:

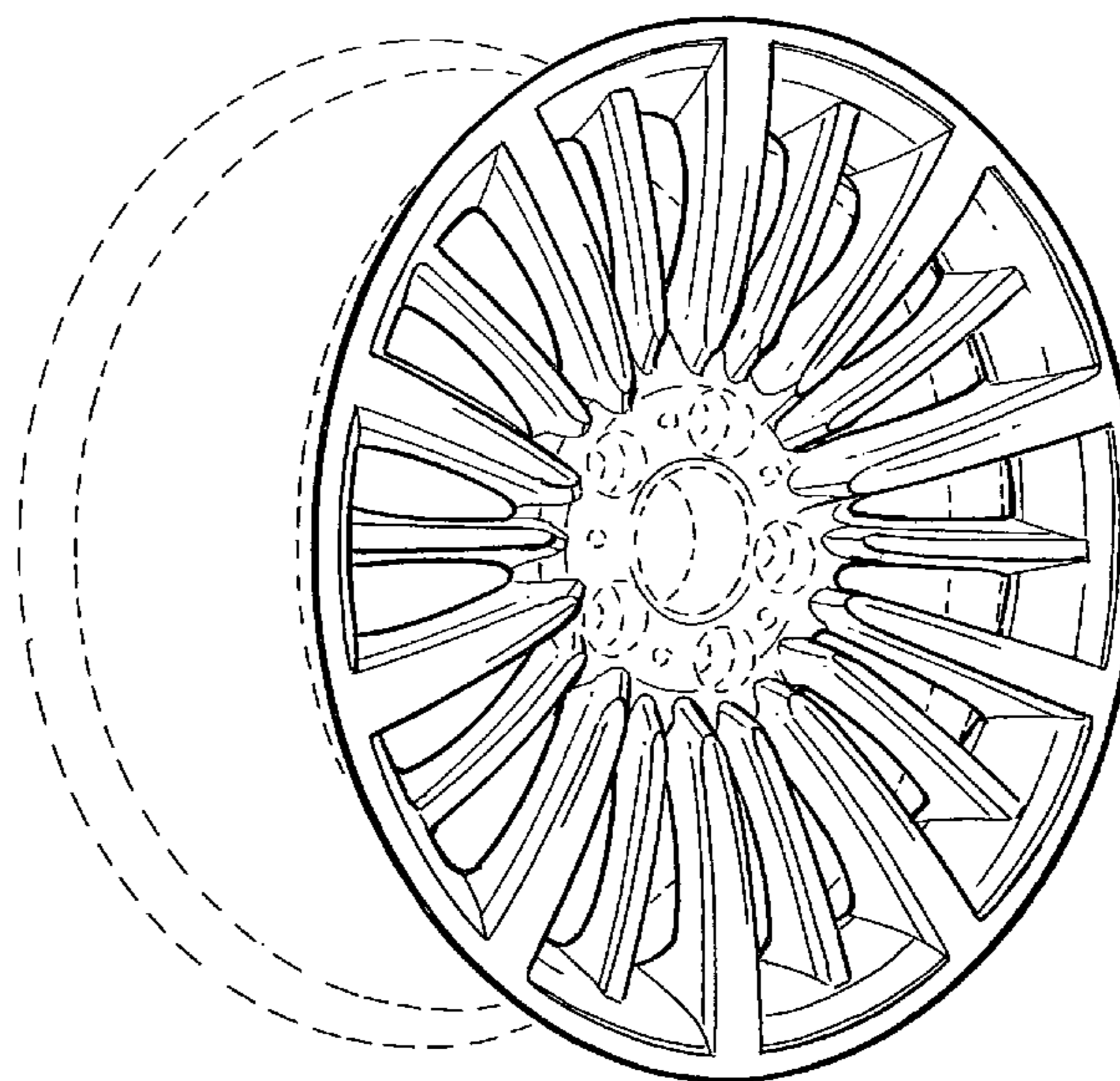
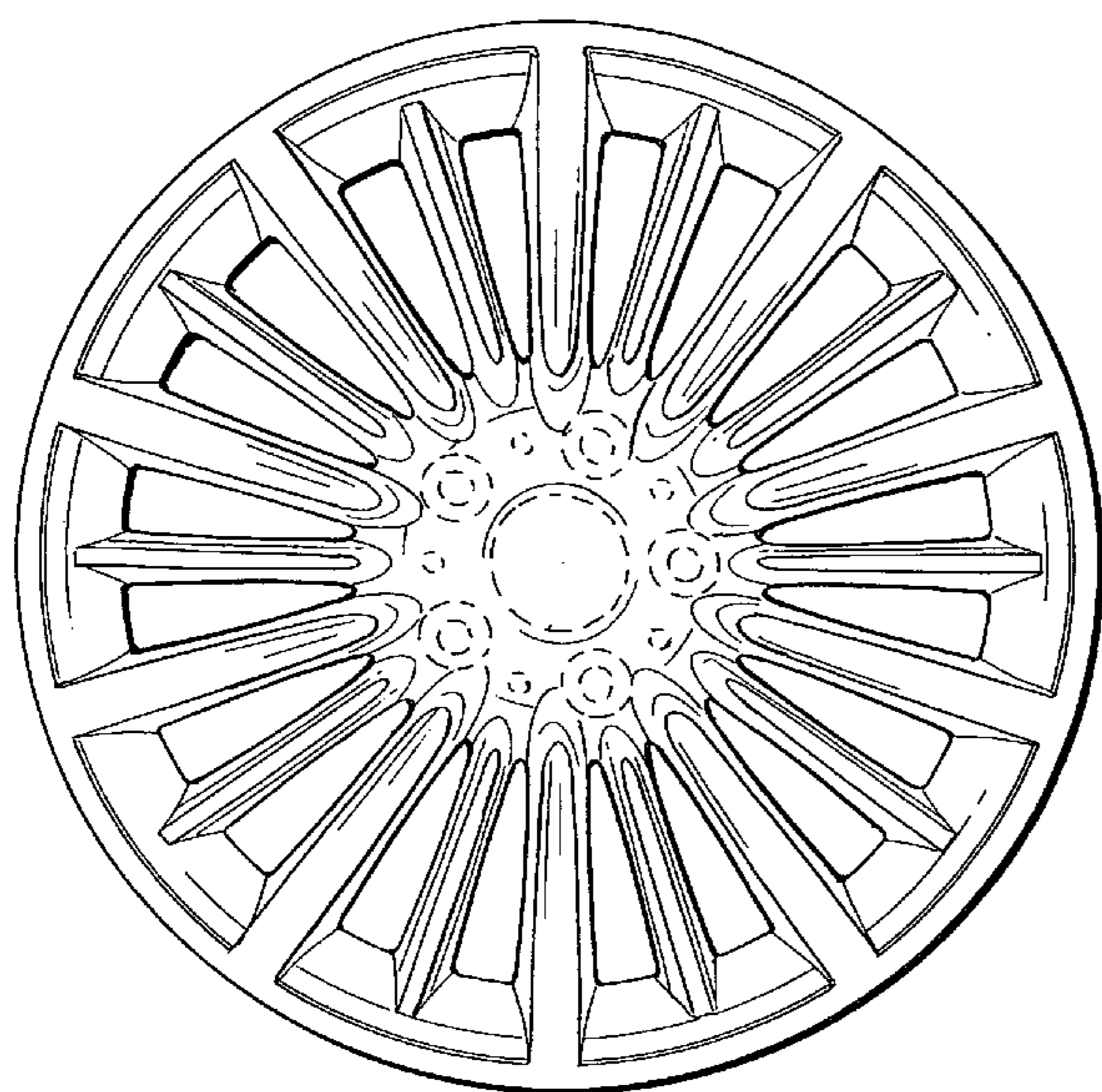
Application Ser. No. 29/361,065, filed May 5, 2010 and entitled "Wheel or Wheel Cover."

FIG. 1 is a front view of a wheel or wheel cover according to my design; and,

FIG. 2 is a perspective view thereof.

The broken line showing of the rear of the rim and the bolt holes and the center cap in the central hub area is included for the purpose of illustrating environment and forms no part of the claimed design.

**1 Claim, 1 Drawing Sheet**



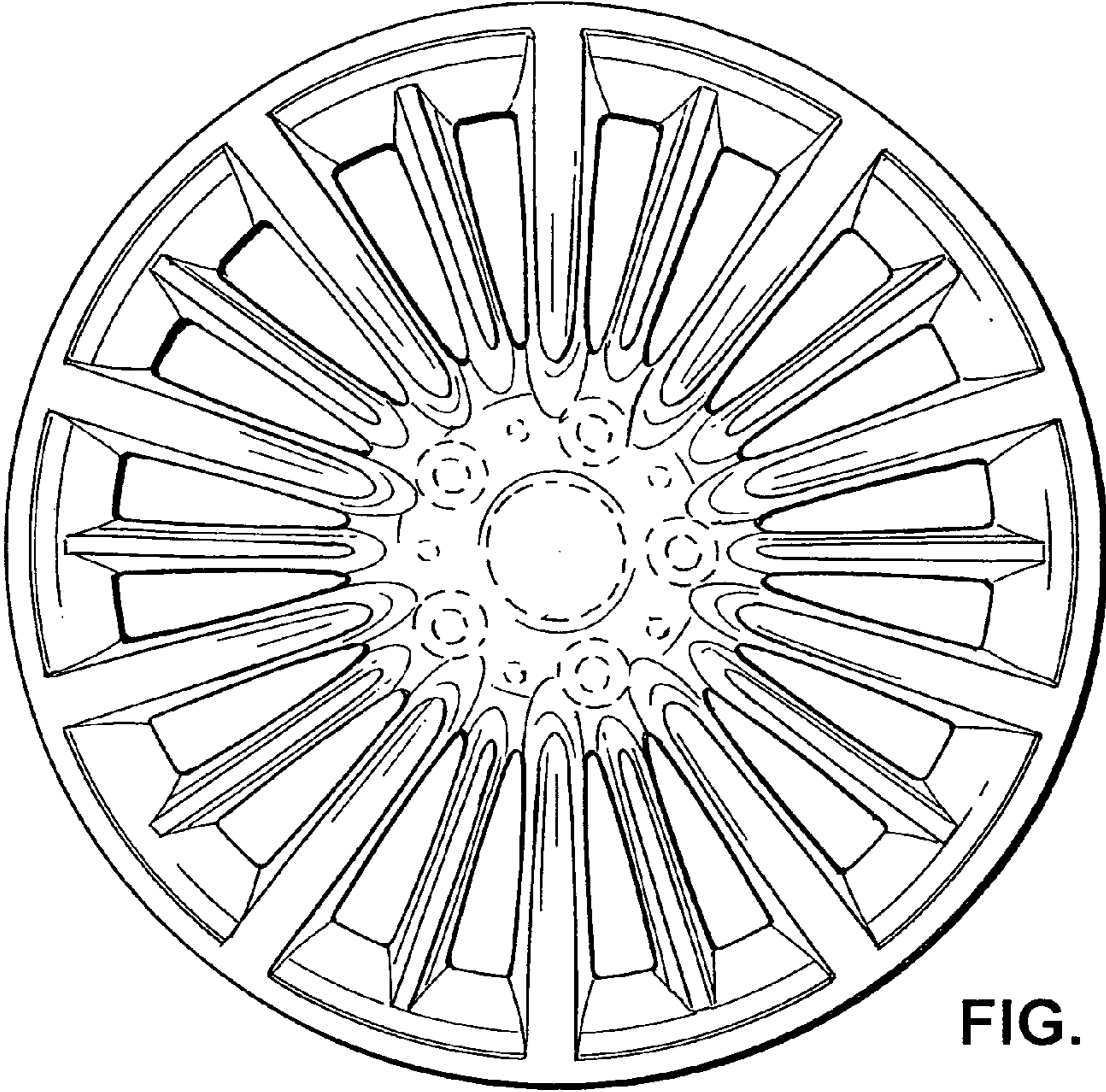


FIG. 1

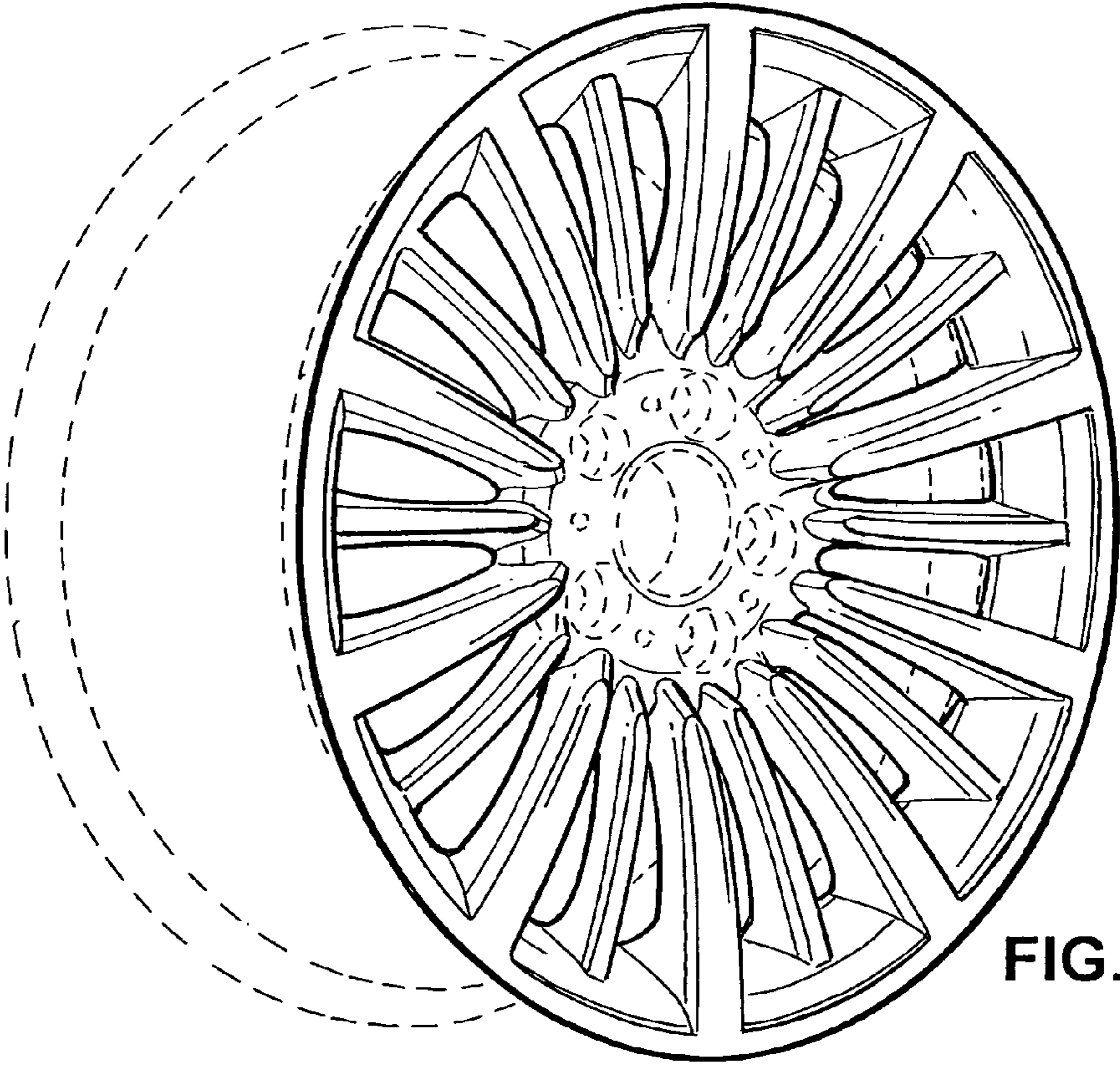


FIG. 2