



US00D639223S

(12) **United States Design Patent**
Johnson

(10) **Patent No.:** **US D639,223 S**

(45) **Date of Patent:** **** Jun. 7, 2011**

(54) **AUTOMOTIVE WHEEL**

(75) **Inventor:** **Kelly Johnson**, Placentia, CA (US)

(73) **Assignee:** **MKW Alloy Inc.**, City of Industry, CA (US)

(**) **Term:** **14 Years**

(21) **Appl. No.:** **29/382,602**

(22) **Filed:** **Jan. 5, 2011**

(51) **LOC (9) Cl.** **12-16**

(52) **U.S. Cl.** **D12/209**

(58) **Field of Classification Search** D12/204-213;
301/37.101, 64.101, 65, 64.201

See application file for complete search history.

(56) **References Cited**

U.S. PATENT DOCUMENTS

D527,699 S	*	9/2006	Kiesel	D12/209
D547,710 S	*	7/2007	Guevara	D12/209
D554,036 S	*	10/2007	Chung	D12/209

D567,732 S	*	4/2008	Chung	D12/209
D571,274 S	*	6/2008	Chung	D12/209
D576,535 S	*	9/2008	Chung	D12/209
D584,673 S	*	1/2009	Chung	D12/209
D597,462 S	*	8/2009	Chung	D12/209
D613,658 S	*	4/2010	Cortes	D12/209
D620,863 S	*	8/2010	Groom	D12/209
D625,238 S	*	10/2010	Zhao	D12/209
D631,419 S	*	1/2011	Kim	D12/209

* cited by examiner

Primary Examiner — Stacia Cadmus

(74) *Attorney, Agent, or Firm* — MKW Alloy Inc; Kevin Lee

(57) **CLAIM**

The ornamental design for an automotive wheel, as shown and described.

DESCRIPTION

FIG. 1 is a front elevation view of the automotive wheel of the instant invention; and,

FIG. 2 is a perspective view of the automotive wheel of the instant invention.

1 Claim, 2 Drawing Sheets

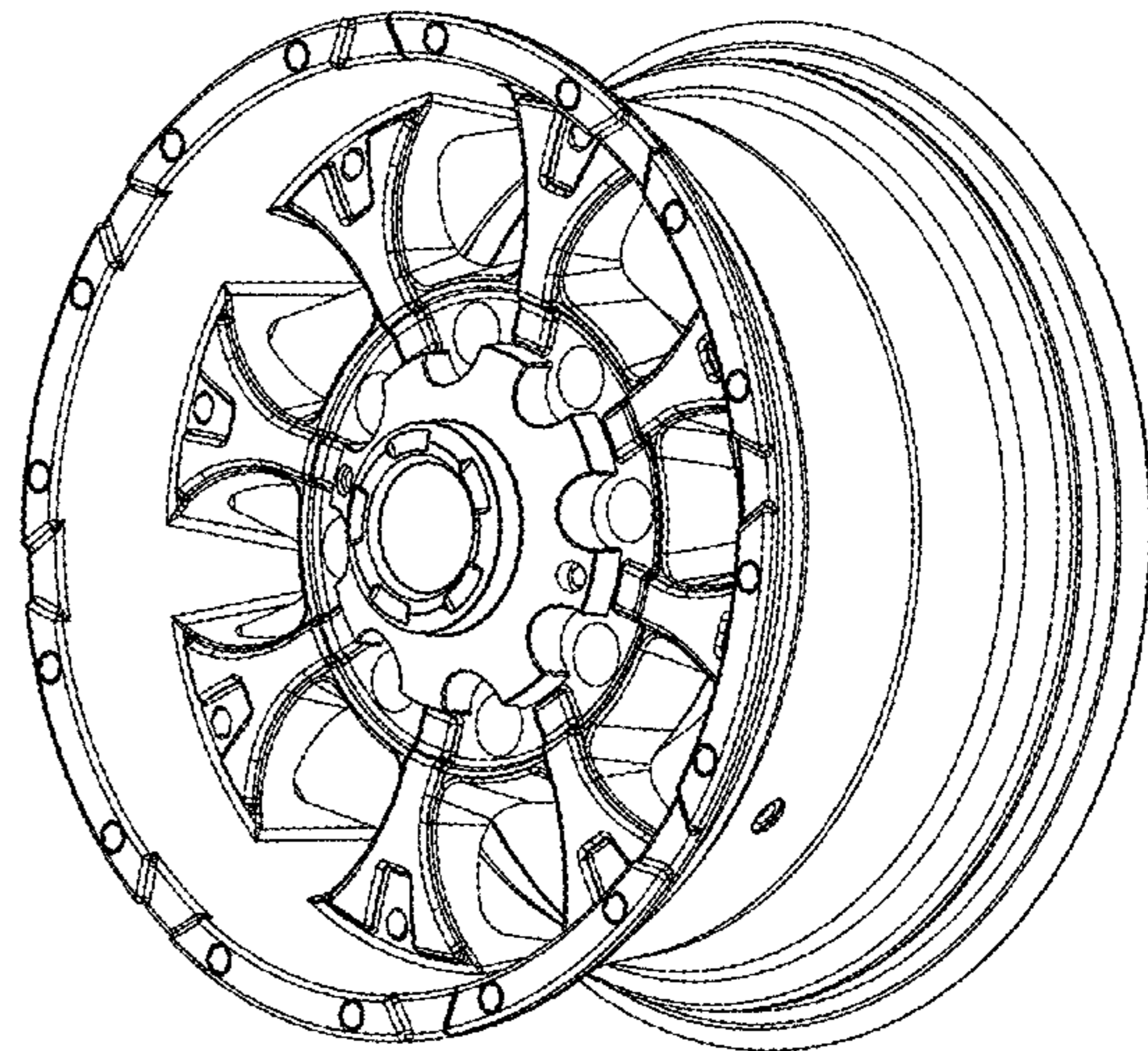
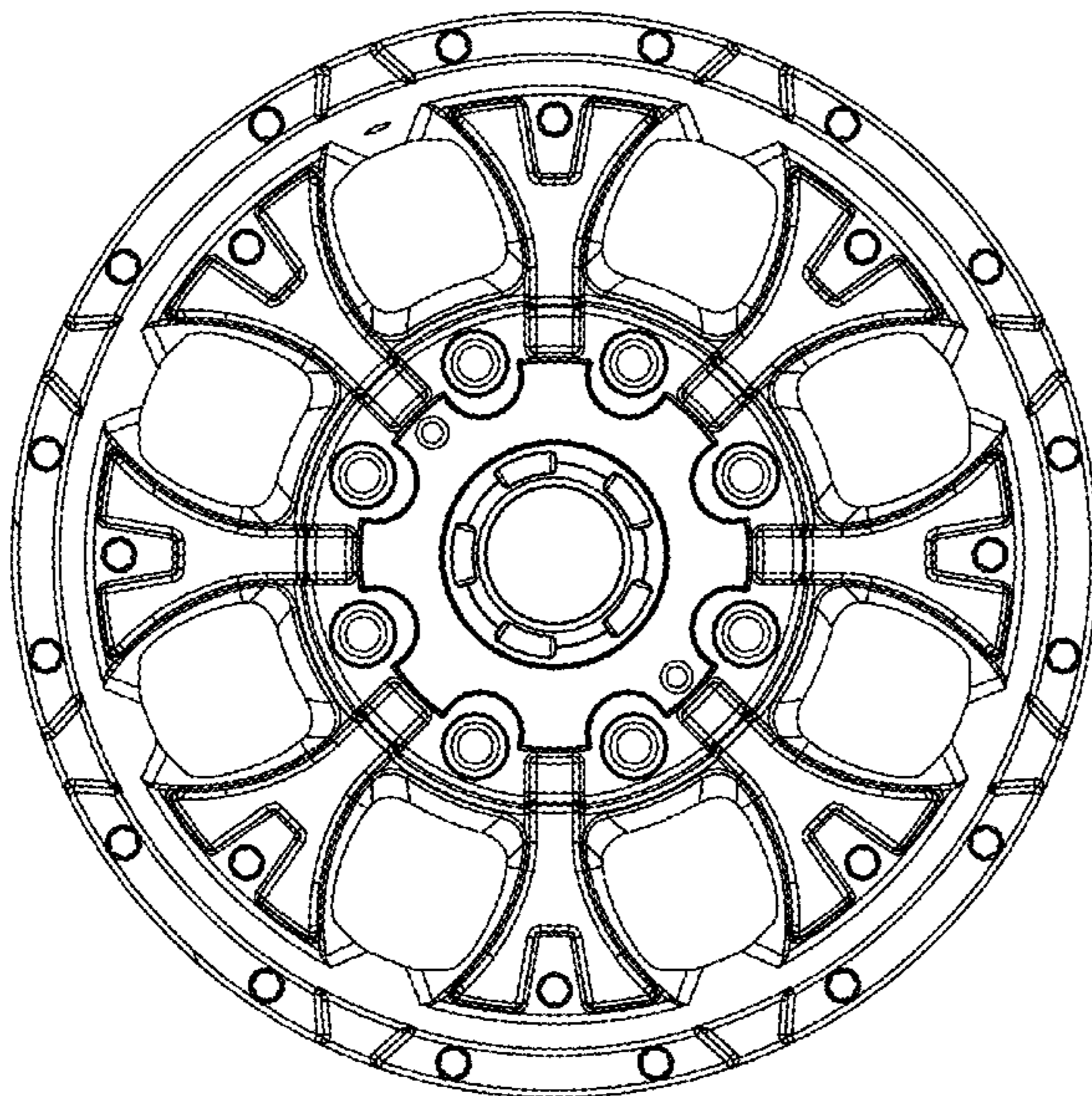


FIGURE 1

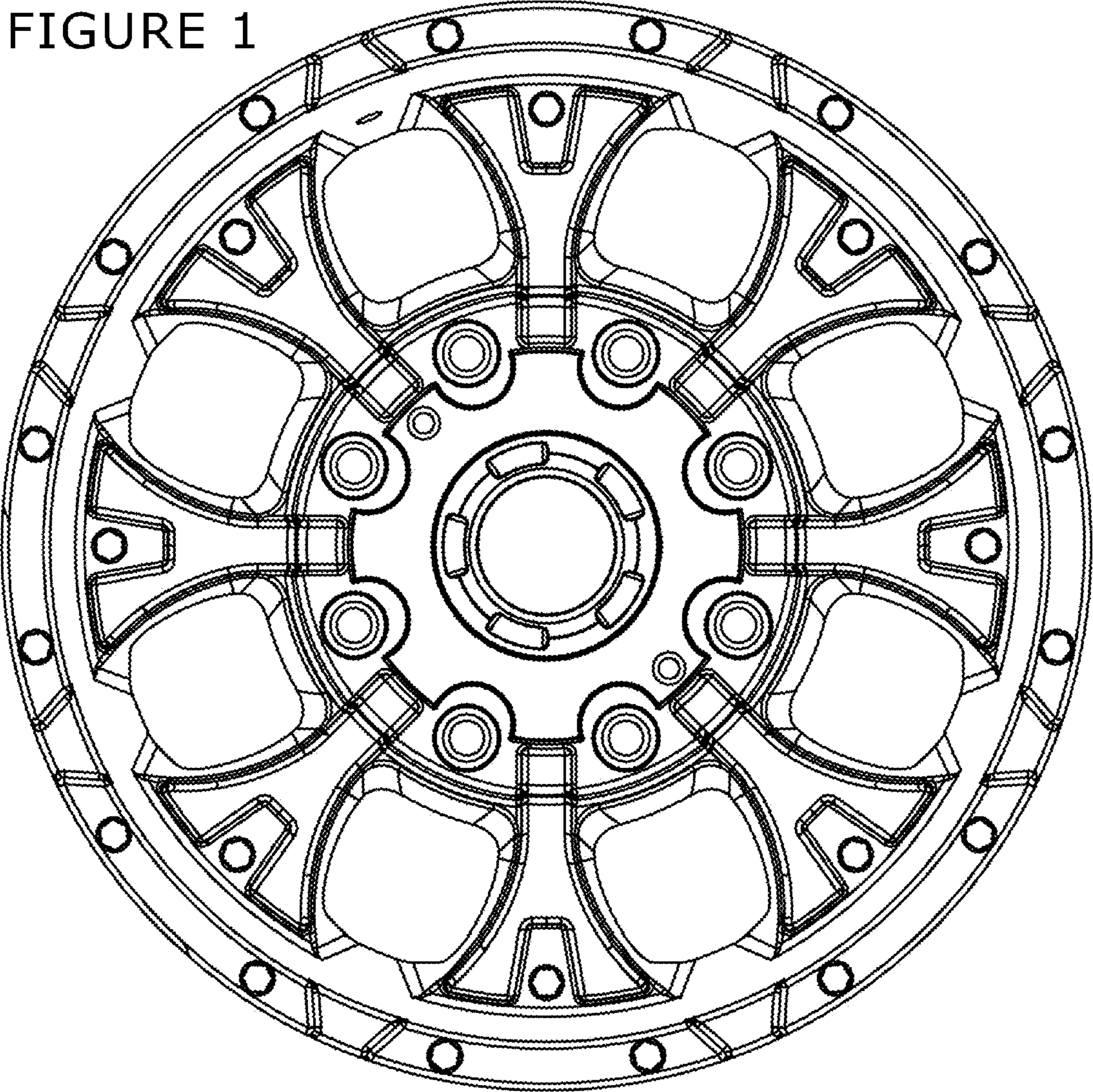


FIGURE 2

