



US00D639221S

(12) **United States Design Patent**  
**Johnson**

(10) **Patent No.:** **US D639,221 S**

(45) **Date of Patent:** **\*\* Jun. 7, 2011**

(54) **AUTOMOTIVE WHEEL**

(75) **Inventor:** **Kelly Johnson**, Placentia, CA (US)

(73) **Assignee:** **MKW Alloy Inc.**, City of Industry, CA (US)

(\*\*) **Term:** **14 Years**

(21) **Appl. No.:** **29/382,598**

(22) **Filed:** **Jan. 5, 2011**

(51) **LOC (9) Cl.** ..... **12-16**

(52) **U.S. Cl.** ..... **D12/209**

(58) **Field of Classification Search** ..... D12/204-213;  
301/37.101, 64.101, 65, 64.201

See application file for complete search history.

(56) **References Cited**

**U.S. PATENT DOCUMENTS**

D480,677 S \* 10/2003 Atwell ..... D12/211  
D514,496 S \* 2/2006 Neeper ..... D12/211

D523,387 S \* 6/2006 Pfeiffer ..... D12/211  
D539,723 S \* 4/2007 Musser ..... D12/211  
D553,063 S \* 10/2007 Pugh ..... D12/209  
D567,732 S \* 4/2008 Chung ..... D12/209  
D617,248 S \* 6/2010 Zhao ..... D12/209  
D629,347 S \* 12/2010 Kim ..... D12/211  
D633,028 S \* 2/2011 Kim ..... D12/211

\* cited by examiner

*Primary Examiner* — Stacia Cadmus

(74) *Attorney, Agent, or Firm* — MKW Alloy Inc; Kevin Lee

(57) **CLAIM**

The ornamental design for an automotive wheel, as shown and described.

**DESCRIPTION**

FIG. 1 is a front elevation view of the automotive wheel of the instant invention; and,

FIG. 2 is a perspective view of the automotive wheel of the instant invention.

**1 Claim, 2 Drawing Sheets**

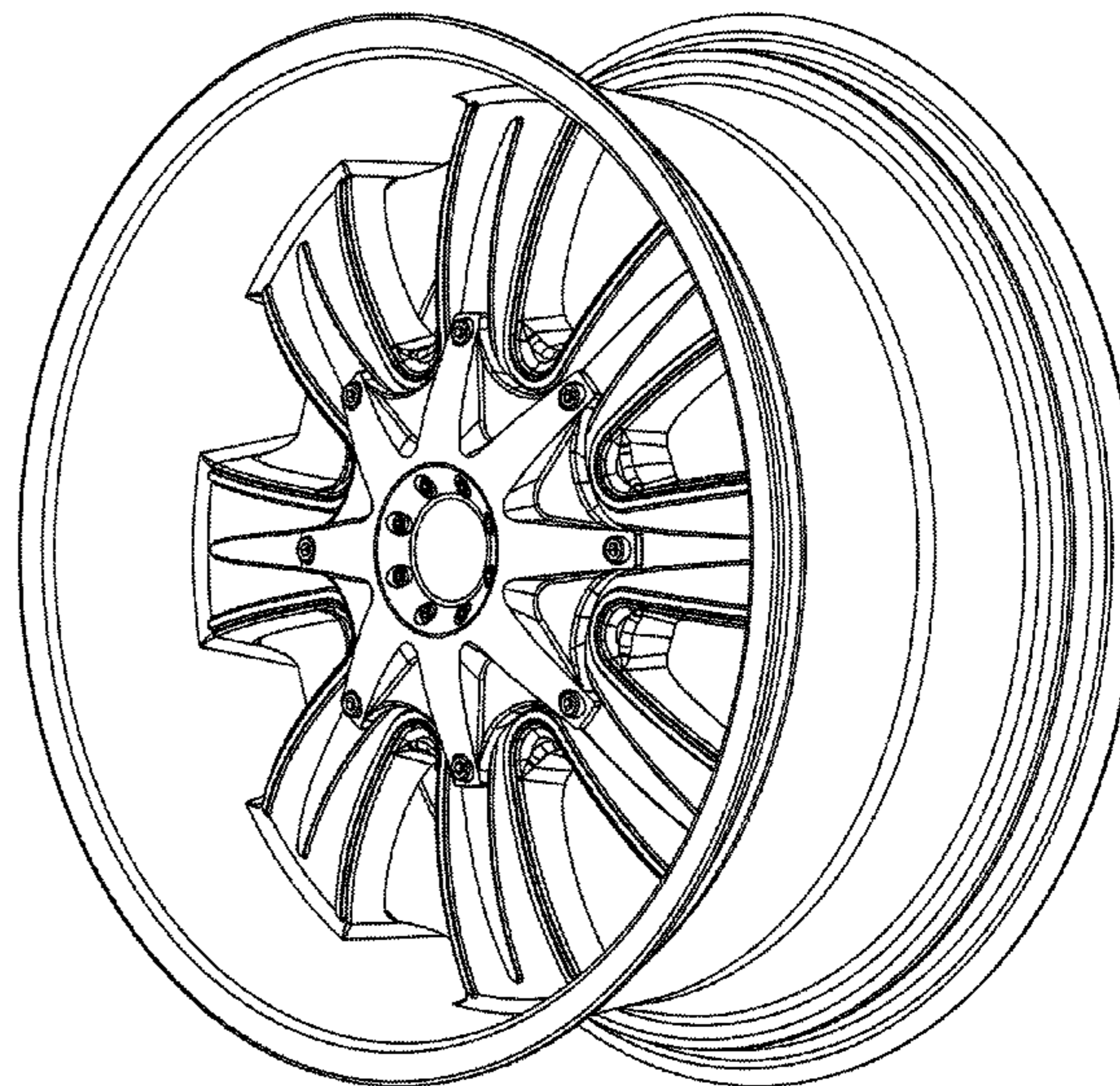
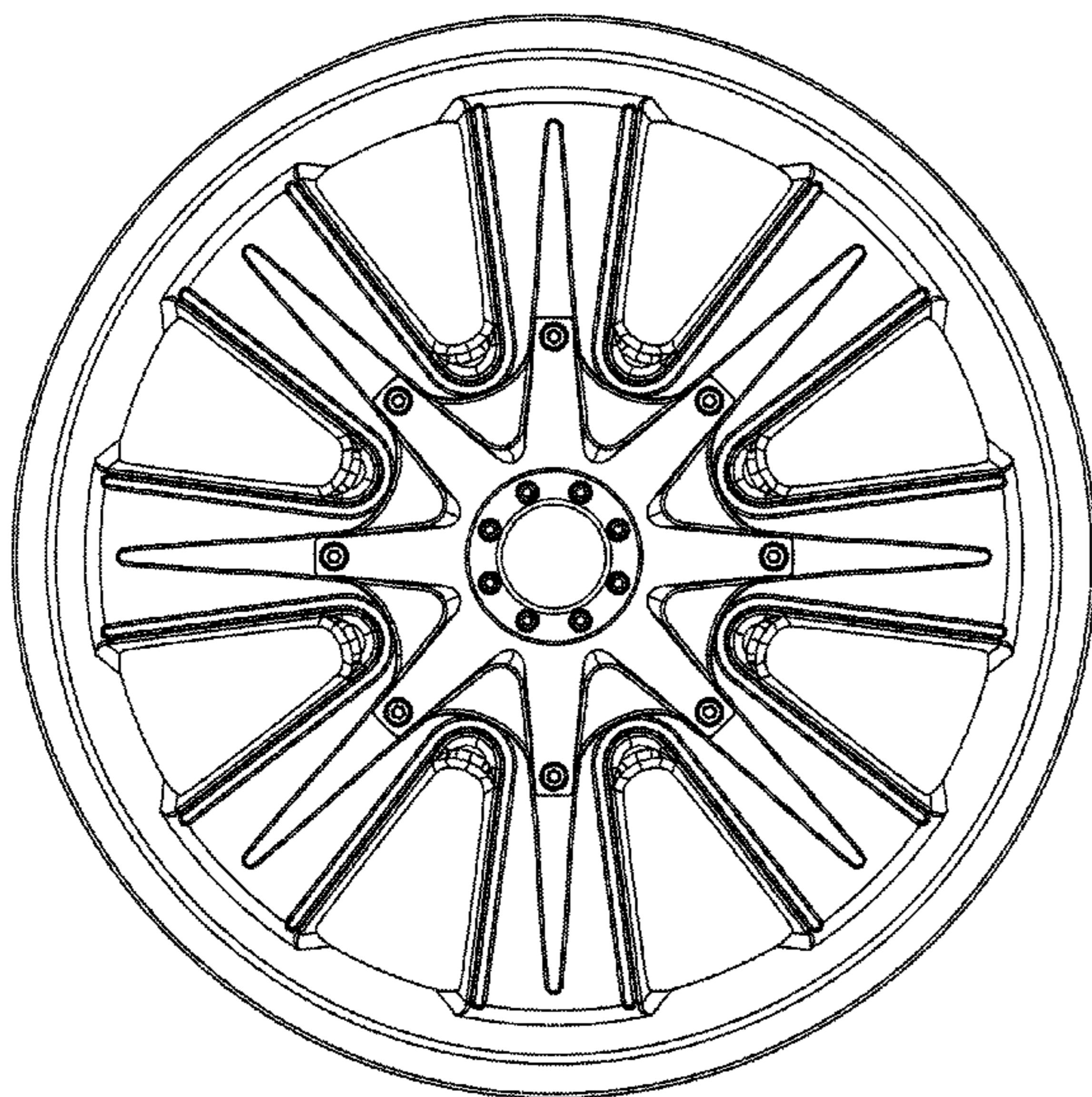


FIGURE 1

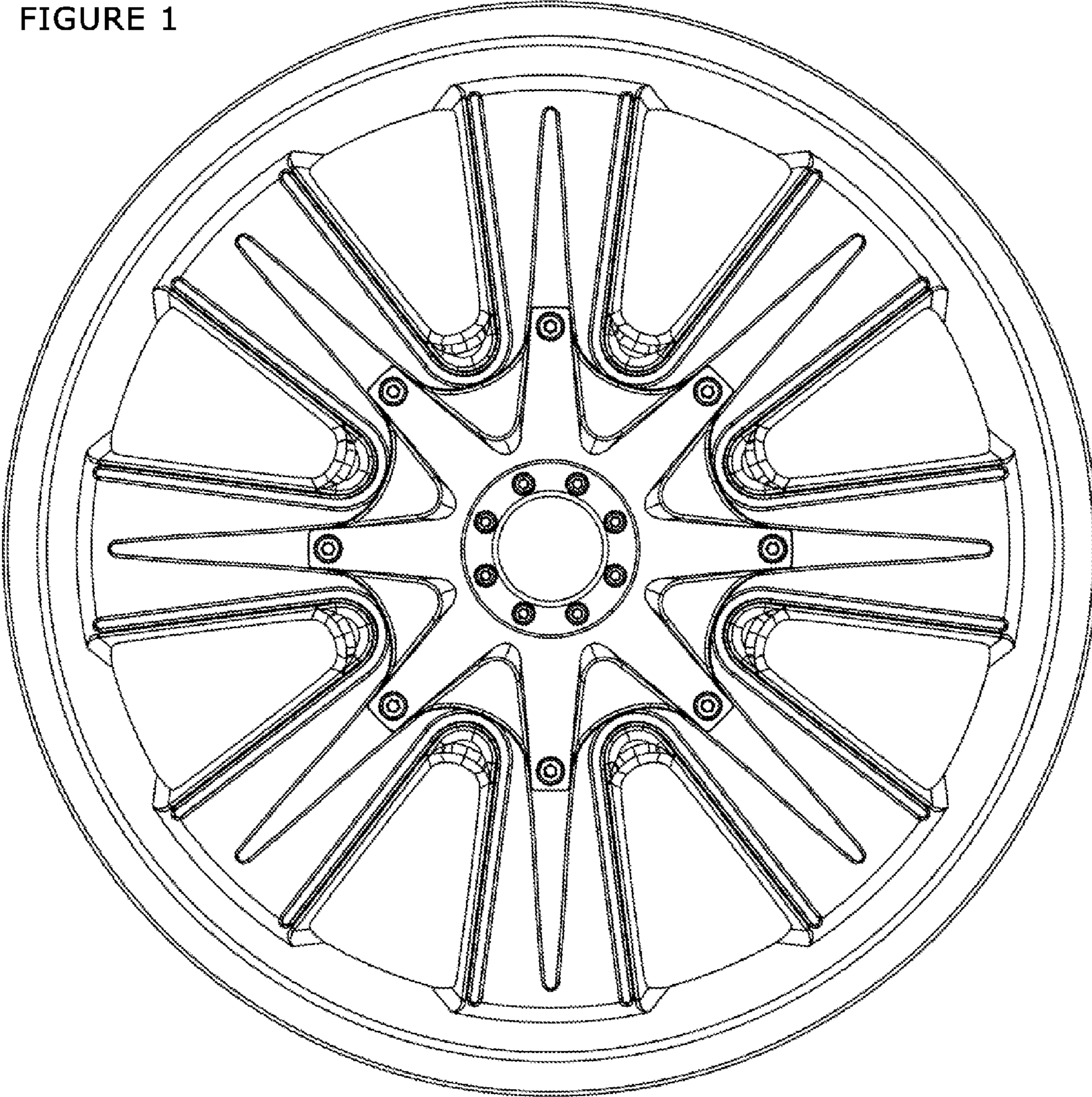


FIGURE 2

