



US00D639214S

(12) **United States Design Patent**
Zhong et al.

(10) **Patent No.:** **US D639,214 S**
(45) **Date of Patent:** **** Jun. 7, 2011**

(54) **STROLLER FRAME**

(75) Inventors: **Zhi Ren Zhong**, Taipei (TW); **Ruibin Chen**, Taipei (TW)

(73) Assignee: **Wonderland Nurserygoods Company Limited**, Central (HK)

(**) Term: **14 Years**

(21) Appl. No.: **29/371,091**

(22) Filed: **Oct. 18, 2010**

(30) **Foreign Application Priority Data**

Jul. 29, 2010 (CN) 2010 3 0274020

(51) **LOC (9) Cl.** **12-12**

(52) **U.S. Cl.** **D12/129**

(58) **Field of Classification Search** D12/128-133;
280/62, 647-650, 29, 200, 47.38, 250.1,
280/259, 642, 658; 297/DIG. 4; 296/65.03,
296/65.04; 224/209; 414/921; 135/65-67,
135/74; D6/360, 368

See application file for complete search history.

(56) **References Cited**

U.S. PATENT DOCUMENTS

5,201,535 A * 4/1993 Kato et al. 280/30
D474,718 S * 5/2003 Hartenstine et al. D12/129

D480,994 S * 10/2003 Grohmann D12/129
D519,420 S * 4/2006 Cheng et al. D12/129
D519,888 S * 5/2006 Cheng et al. D12/129
7,410,185 B2 * 8/2008 Chen et al. 280/642
D581,323 S * 11/2008 Toussaint D12/129

* cited by examiner

Primary Examiner — Ian Simmons

Assistant Examiner — Charles Hanson

(74) *Attorney, Agent, or Firm* — Bacon & Thomas, PLLC

(57) **CLAIM**

The ornamental design for a stroller frame, as shown.

DESCRIPTION

FIG. 1 is a perspective view of a stroller frame of the new design;

FIG. 2 is a front view of the stroller frame of the new design;

FIG. 3 is a rear view of the stroller frame of the new design;

FIG. 4 is a top view of the stroller frame of the new design;

FIG. 5 is a bottom view of the stroller frame of the new design;

FIG. 6 is a left-side view of the stroller frame of the new design;

FIG. 7 is a right-side view of the stroller frame of the new design;

FIG. 8 is another perspective view of the stroller frame of the new design; and,

FIG. 9 is a front perspective view of the stroller frame of the new design.

1 Claim, 5 Drawing Sheets





FIG. 1

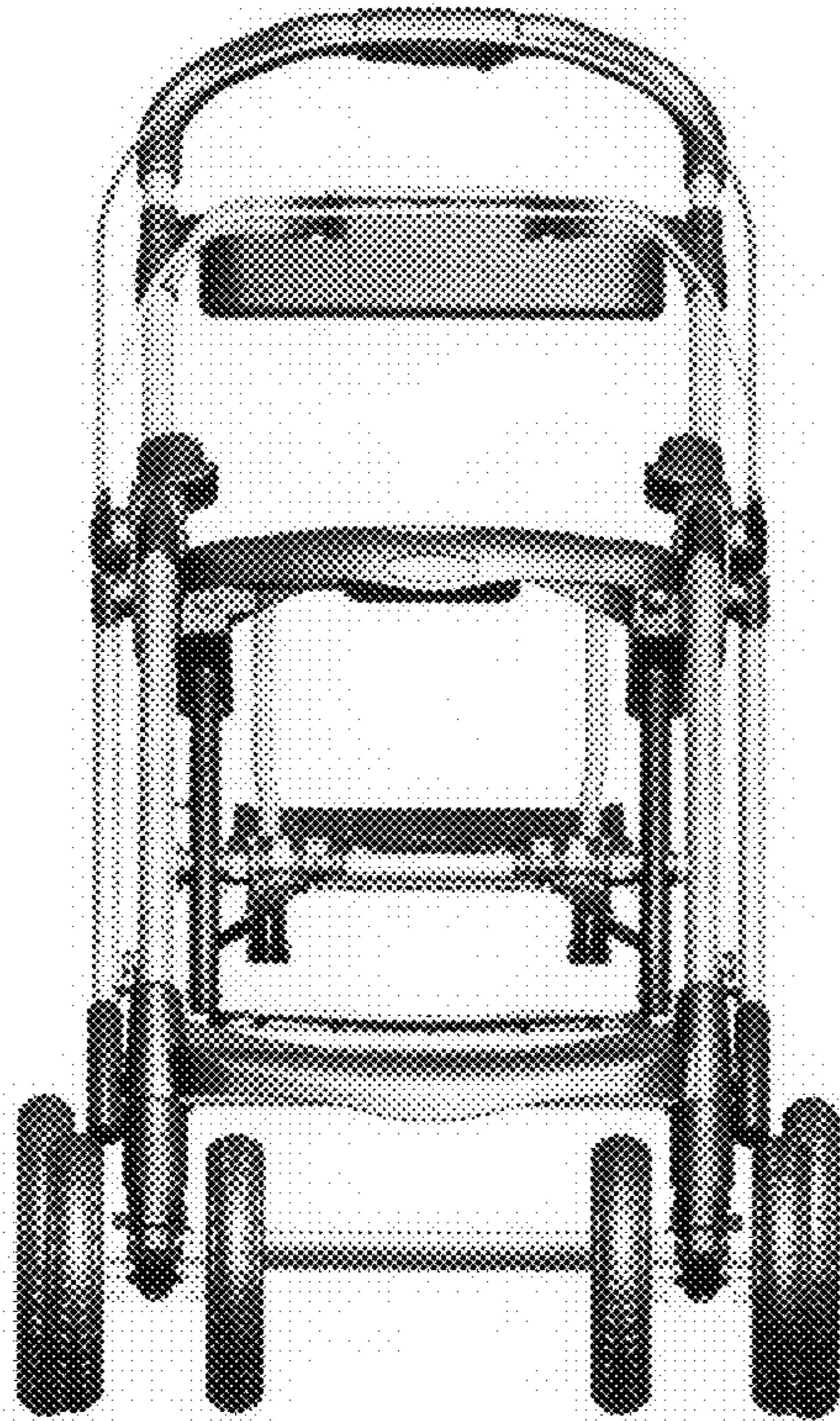


FIG. 2

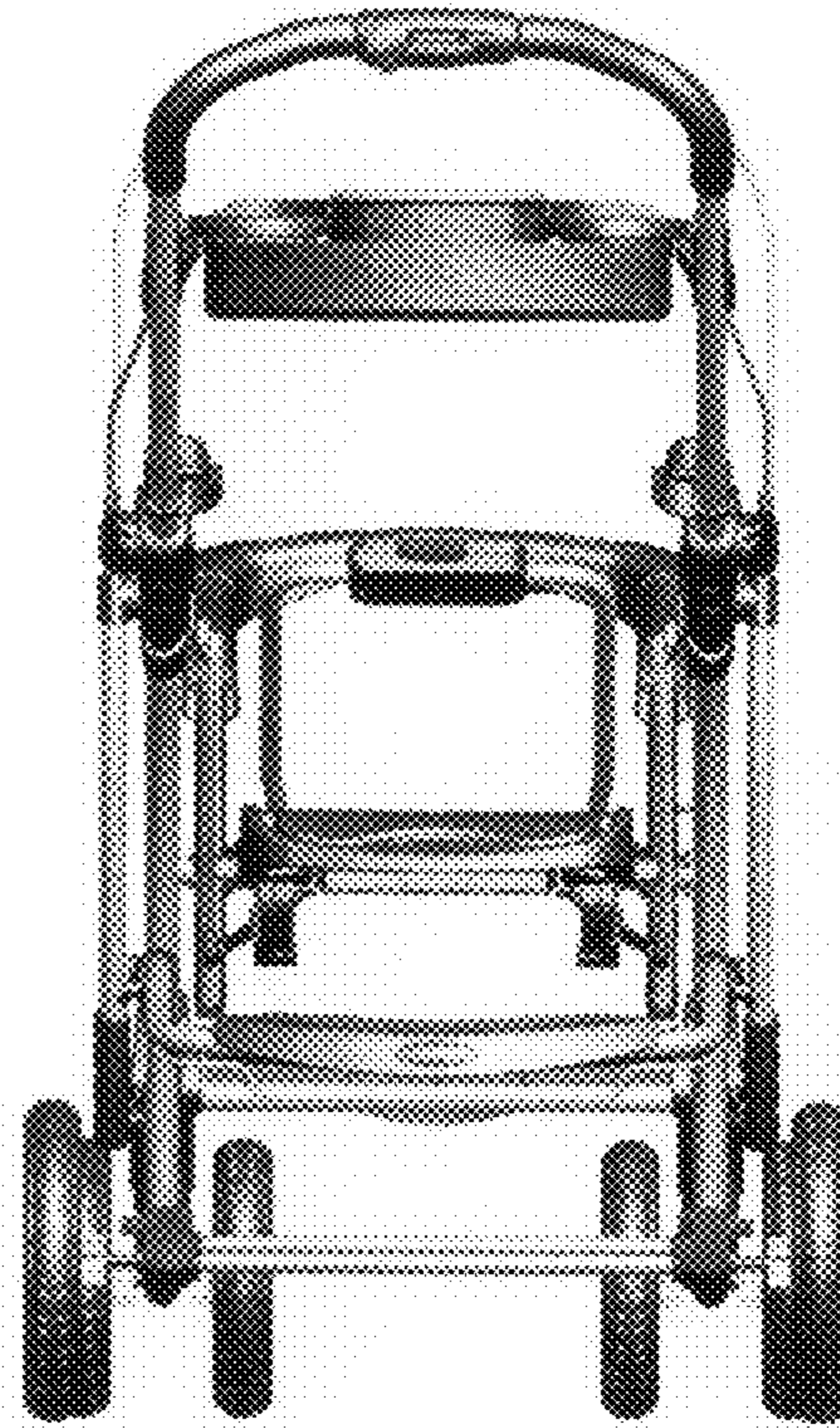


FIG. 3

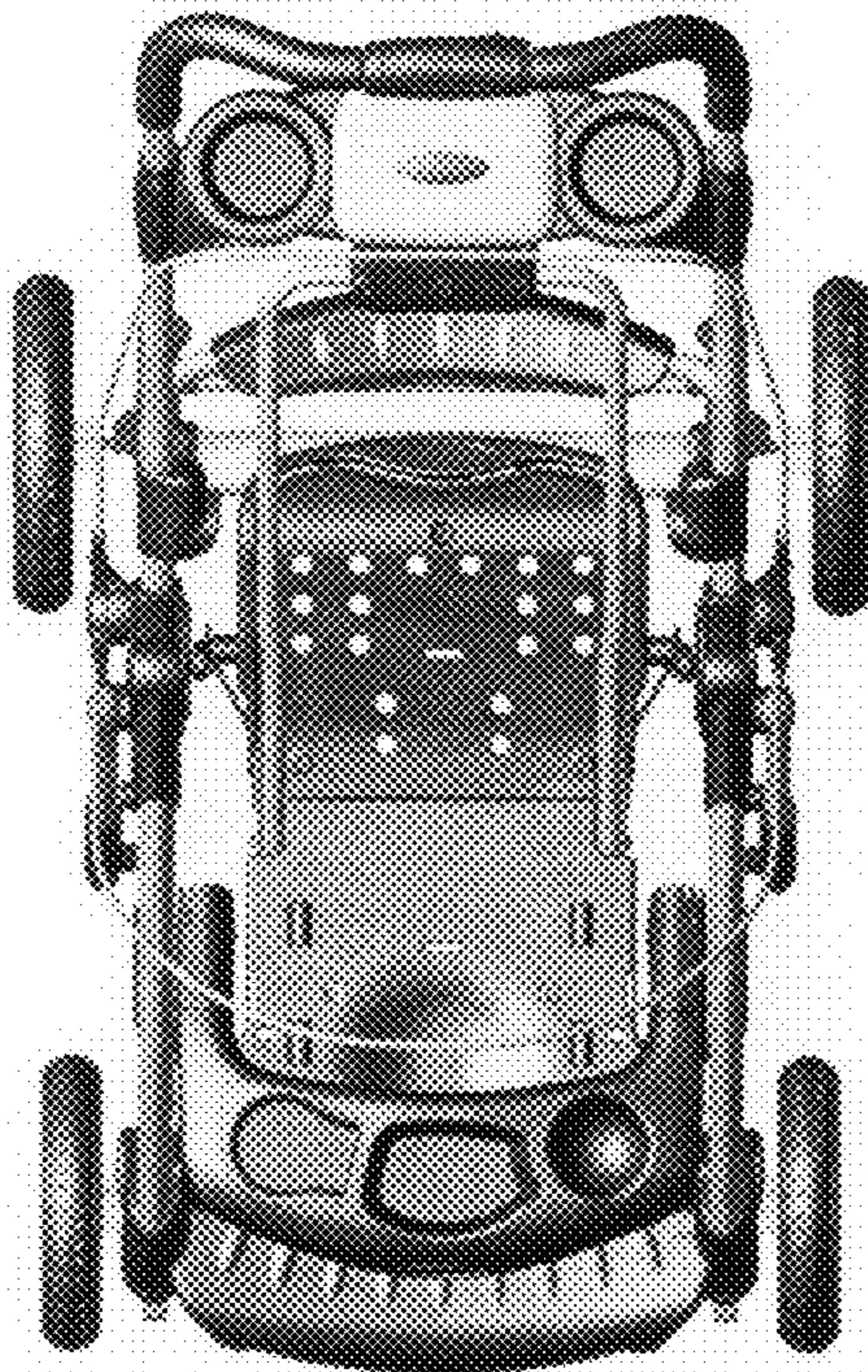


FIG. 4

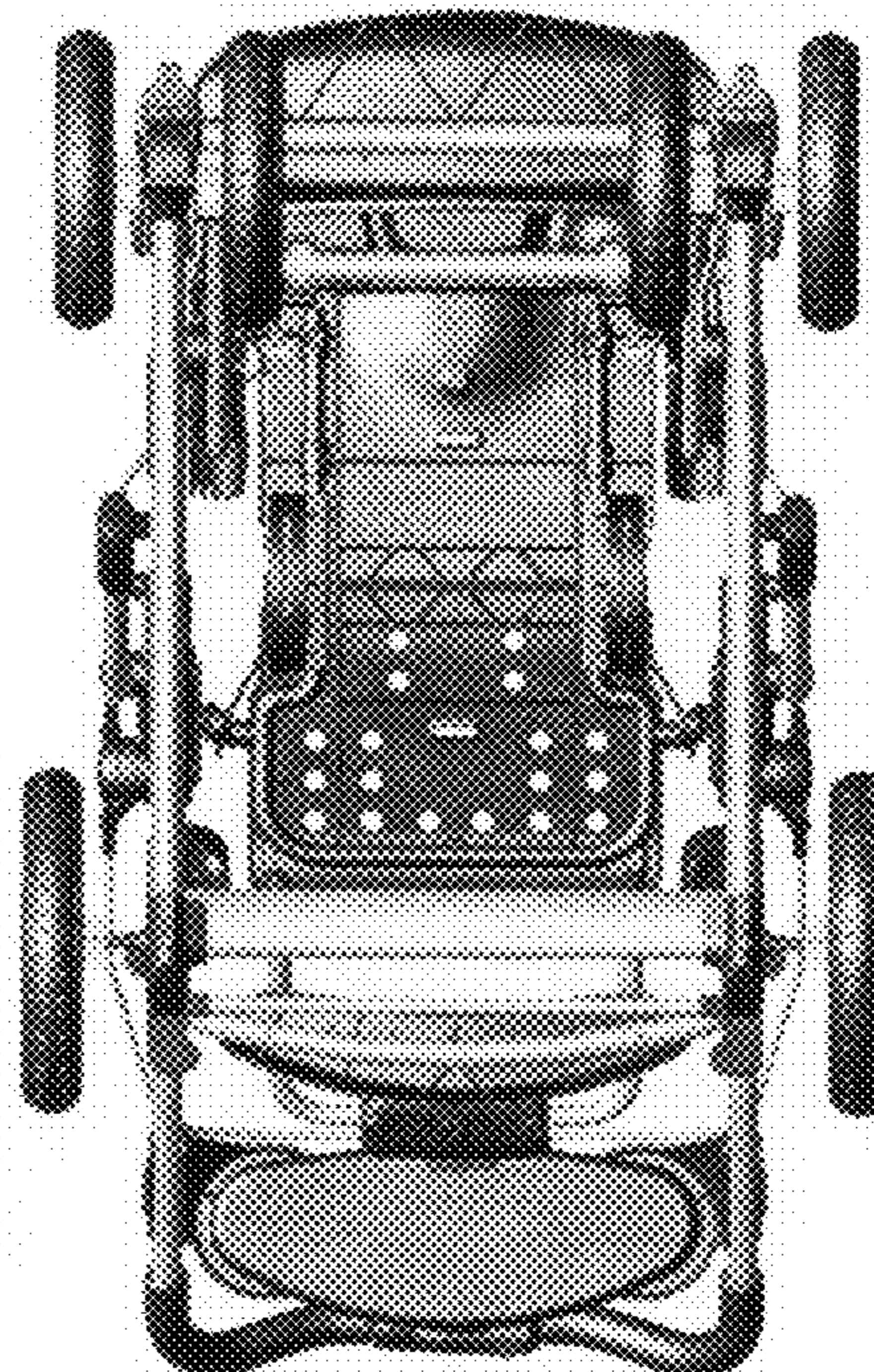


FIG. 5



FIG. 6



FIG. 7



FIG. 8



FIG. 9