



US00D639213S

(12) **United States Design Patent**
McElroy

(10) **Patent No.:** **US D639,213 S**
(45) **Date of Patent:** **** Jun. 7, 2011**

- (54) **BICYCLE PASSENGER PEG**
- (76) Inventor: **Kevin McElroy**, San Diego, CA (US)
- (**) Term: **14 Years**
- (21) Appl. No.: **29/364,982**
- (22) Filed: **Jun. 30, 2010**
- (51) **LOC (9) Cl.** **12-11**
- (52) **U.S. Cl.** **D12/114**
- (58) **Field of Classification Search** D12/114,
D12/110, 179, 180, 122, 125, 111, 223, 108;
74/512, 562, 562.5, 564, 478, 478.5, 473.16,
74/473.17, 473.2; 192/3.54, 3.61, 48.1, 48.7,
192/99 A, 99 R, 48.3; 188/73.1, 344; D25/68;
D17/20; 280/827, 165, 165.1, 167.1, 1.16,
280/1.13, 204, 1.22; D8/1; 297/423.1, 423.17,
297/423.25-423.27, 423.39, 440; 296/75;
D6/497

See application file for complete search history.

(56) **References Cited**

U.S. PATENT DOCUMENTS

- D279,013 S * 5/1985 Sowle D17/18
- D343,907 S * 2/1994 Porter D25/68
- D355,997 S * 3/1995 Zandstra D6/491
- 5,445,420 A * 8/1995 Lairmore et al. 283/117
- D368,496 S * 4/1996 Seger D14/419
- D369,011 S * 4/1996 Ahn D1/109

- D384,849 S * 10/1997 Lombardo D6/591
- D393,726 S * 4/1998 Sweeney D25/113
- D403,708 S * 1/1999 Wolff D20/25
- D405,461 S * 2/1999 Excellente D17/99
- D418,958 S * 1/2000 Wood et al. D34/9
- D425,680 S * 5/2000 Payne D32/43
- D473,018 S * 4/2003 Ford D28/56
- D476,748 S * 7/2003 Nezirevic D25/112
- D520,290 S * 5/2006 Curtis D6/588
- D576,700 S * 9/2008 Williams D21/765
- D597,127 S * 7/2009 Izen et al. D17/22

* cited by examiner

Primary Examiner — Susan M Lee

Assistant Examiner — Linda G. Brooks

(74) *Attorney, Agent, or Firm* — San Diego IP Law Group LLP

(57) **CLAIM**

I claim the ornamental design for a bicycle passenger peg, as shown and described.

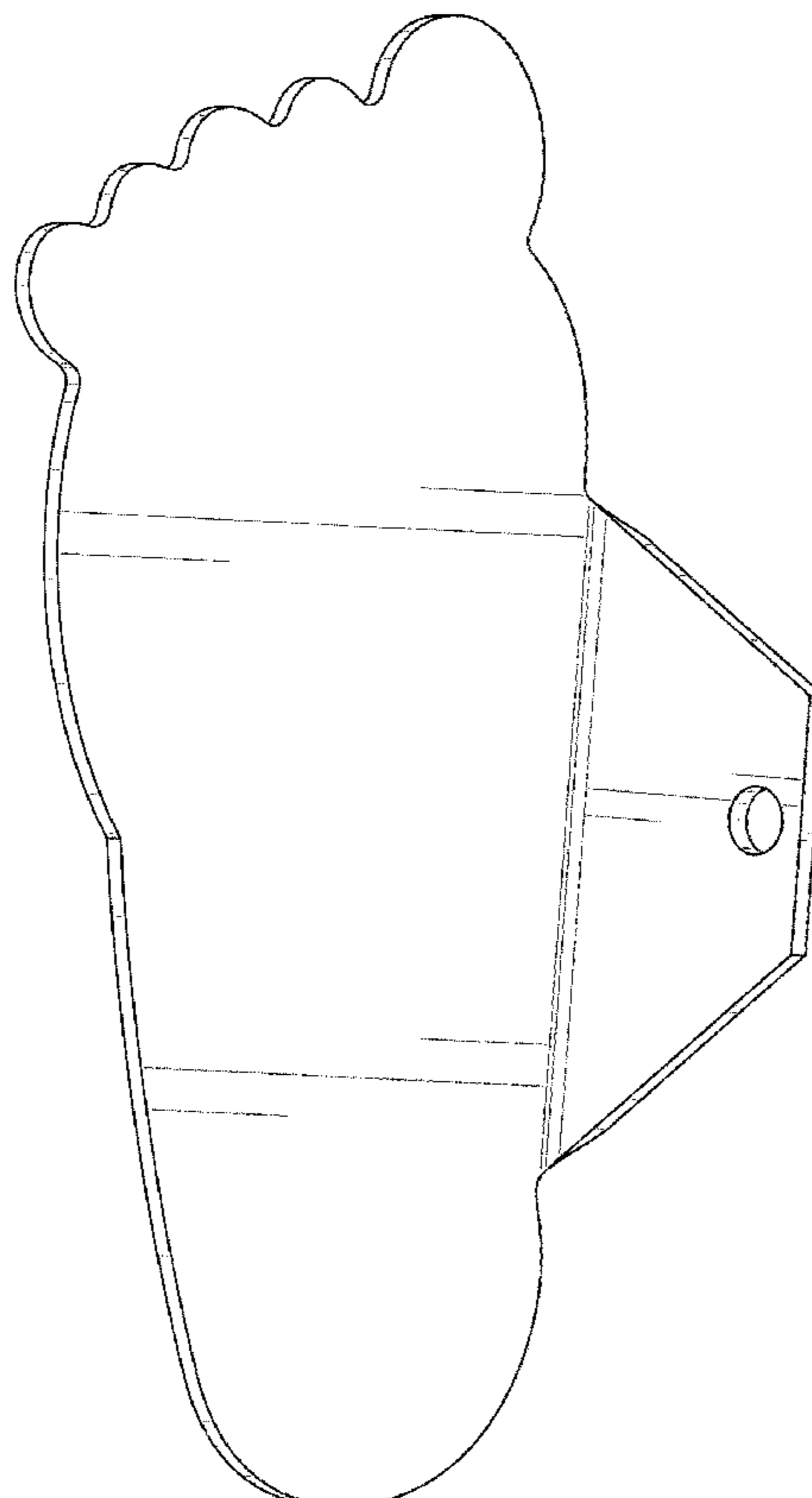
DESCRIPTION

FIG. 1 is a perspective view of the bicycle passenger peg according to the invention;

FIG. 2 is a bottom view of the bicycle passenger peg as shown in FIG. 1; and,

FIG. 3 is a side elevational view of the bicycle passenger peg as shown in FIG. 1.

1 Claim, 3 Drawing Sheets



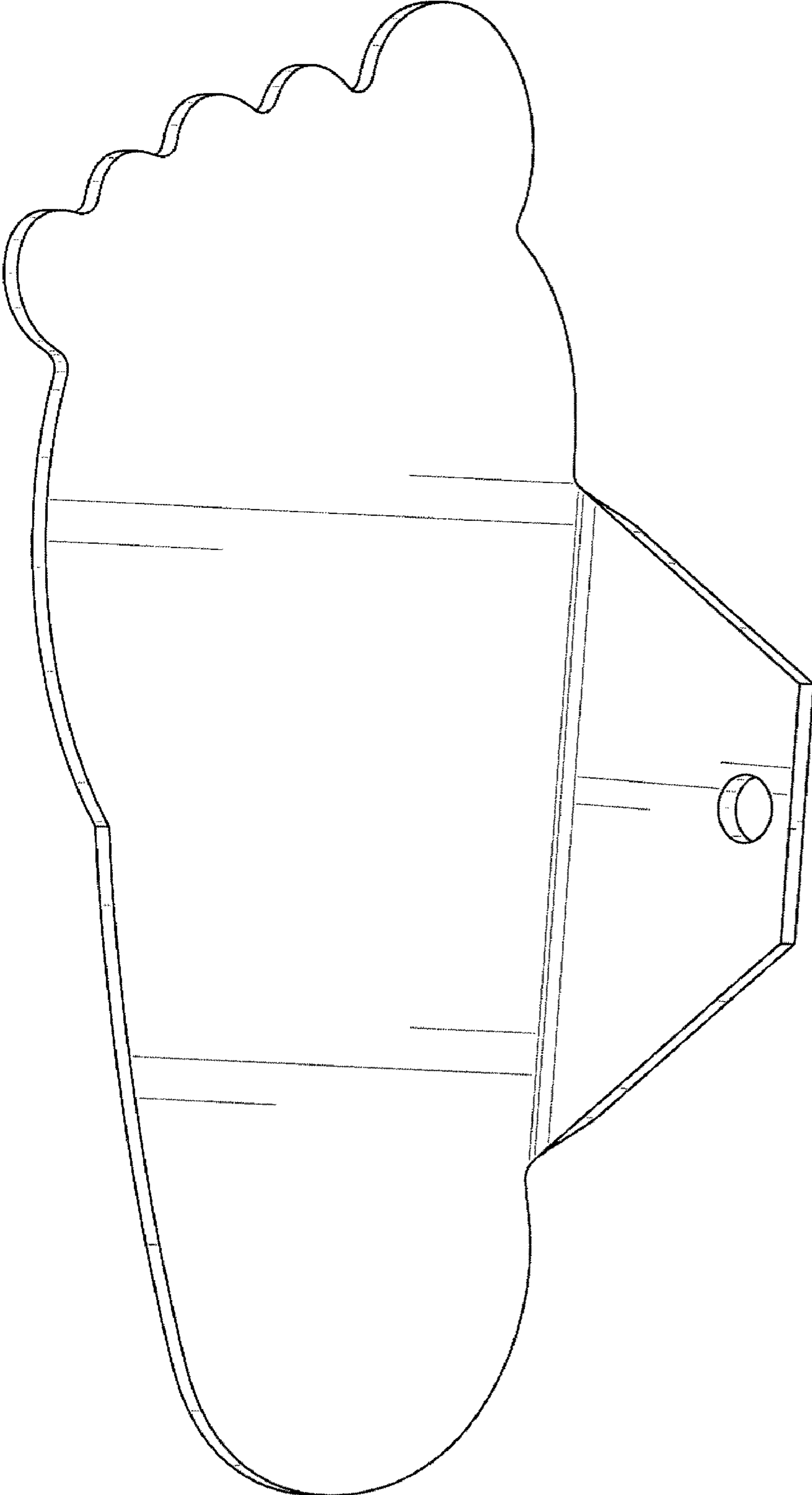


FIG. 1

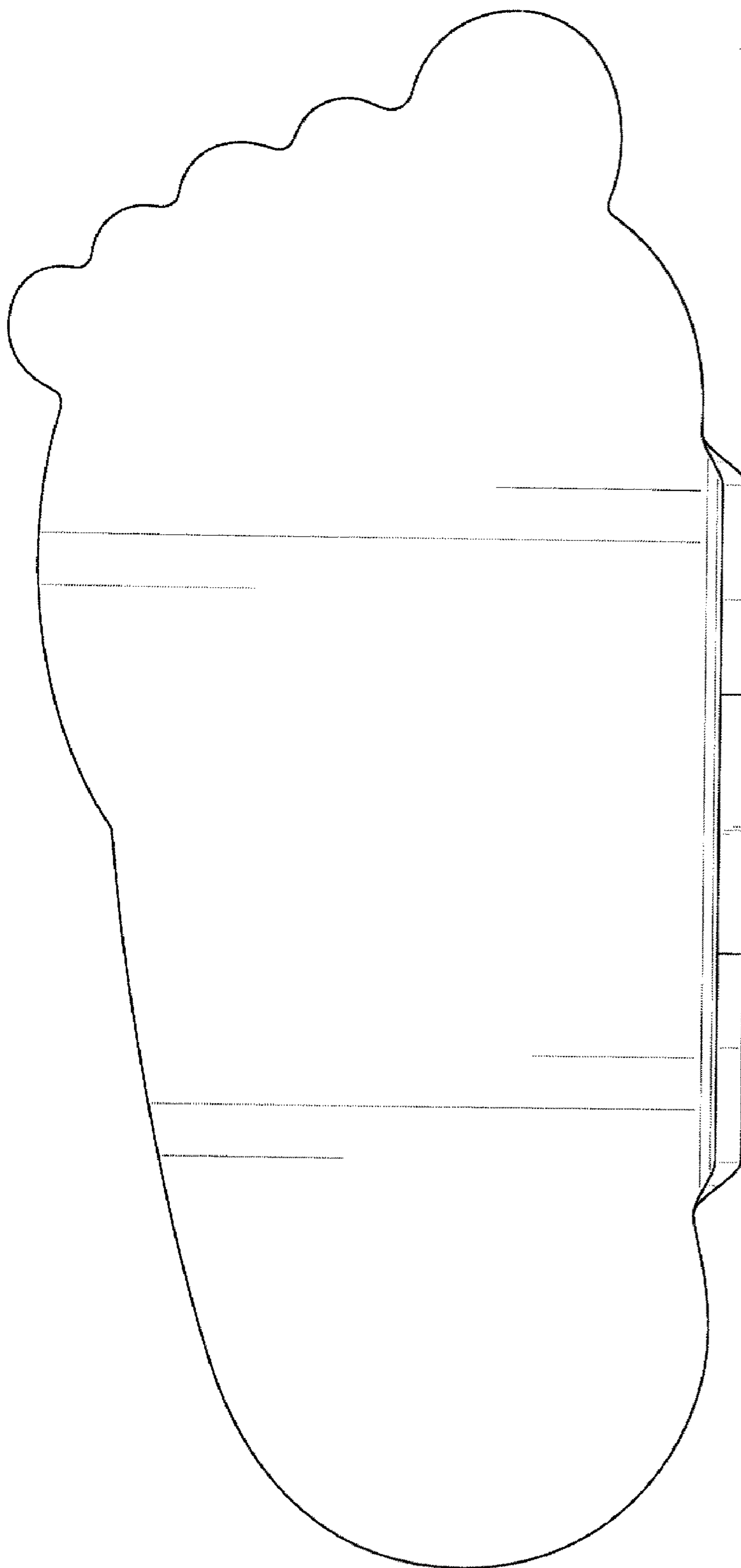


FIG. 2

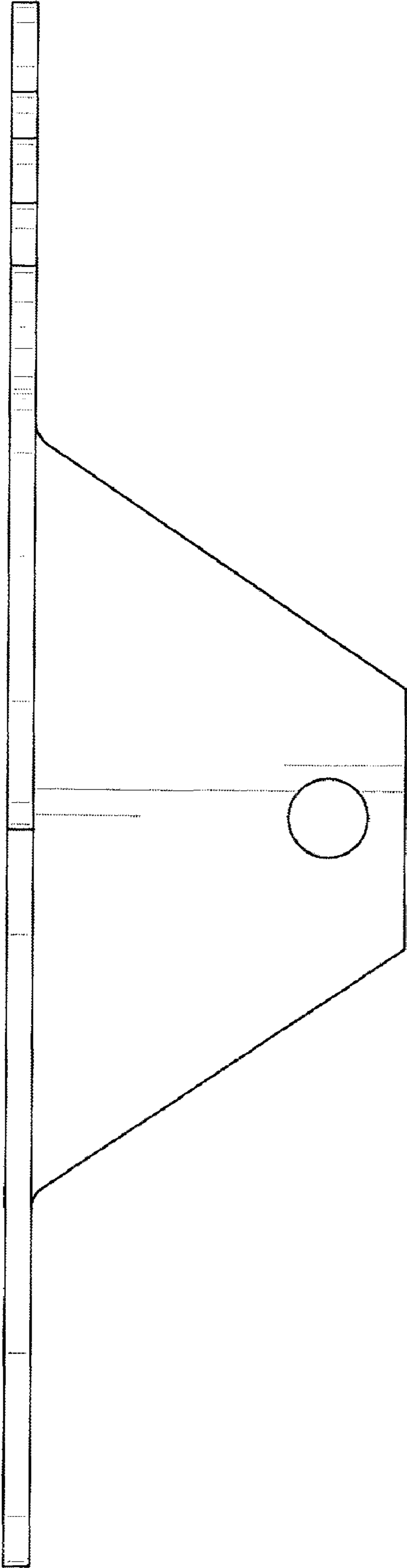


FIG. 3