



US00D639212S

(12) **United States Design Patent**
Huang et al.

(10) **Patent No.:** **US D639,212 S**

(45) **Date of Patent:** **** Jun. 7, 2011**

(54) **MOTORCYCLE**

D593,909 S * 6/2009 Chiu et al. D12/110
D601,928 S * 10/2009 Chen et al. D12/110
D605,564 S * 12/2009 Hong D12/110

(75) Inventors: **Kuo-Feng Huang**, Kaohsiung (TW);
Tzu-Hao Hsieh, Kaohsiung (TW)

* cited by examiner

(73) Assignee: **Kwang Yang Motor Co., Ltd.**,
Kaohsiung (TW)

Primary Examiner — Susan M Lee

Assistant Examiner — Linda G. Brooks

(**) Term: **14 Years**

(74) *Attorney, Agent, or Firm* — Leong C. Lei

(21) Appl. No.: **29/376,351**

(57) **CLAIM**

The ornamental design for a motorcycle, as shown and described.

(22) Filed: **Oct. 6, 2010**

DESCRIPTION

(51) **LOC (9) Cl.** **12-11**

(52) **U.S. Cl.** **D12/110**

(58) **Field of Classification Search** D12/110;
180/219, 220

See application file for complete search history.

FIG. 1 is a perspective view of a motorcycle showing my new design;

FIG. 2 is a front elevational view thereof;

FIG. 3 is a rear elevational view thereof;

FIG. 4 is a left side perspective view thereof;

FIG. 5 is a right side perspective view thereof;

FIG. 6 is a top plan view thereof; and,

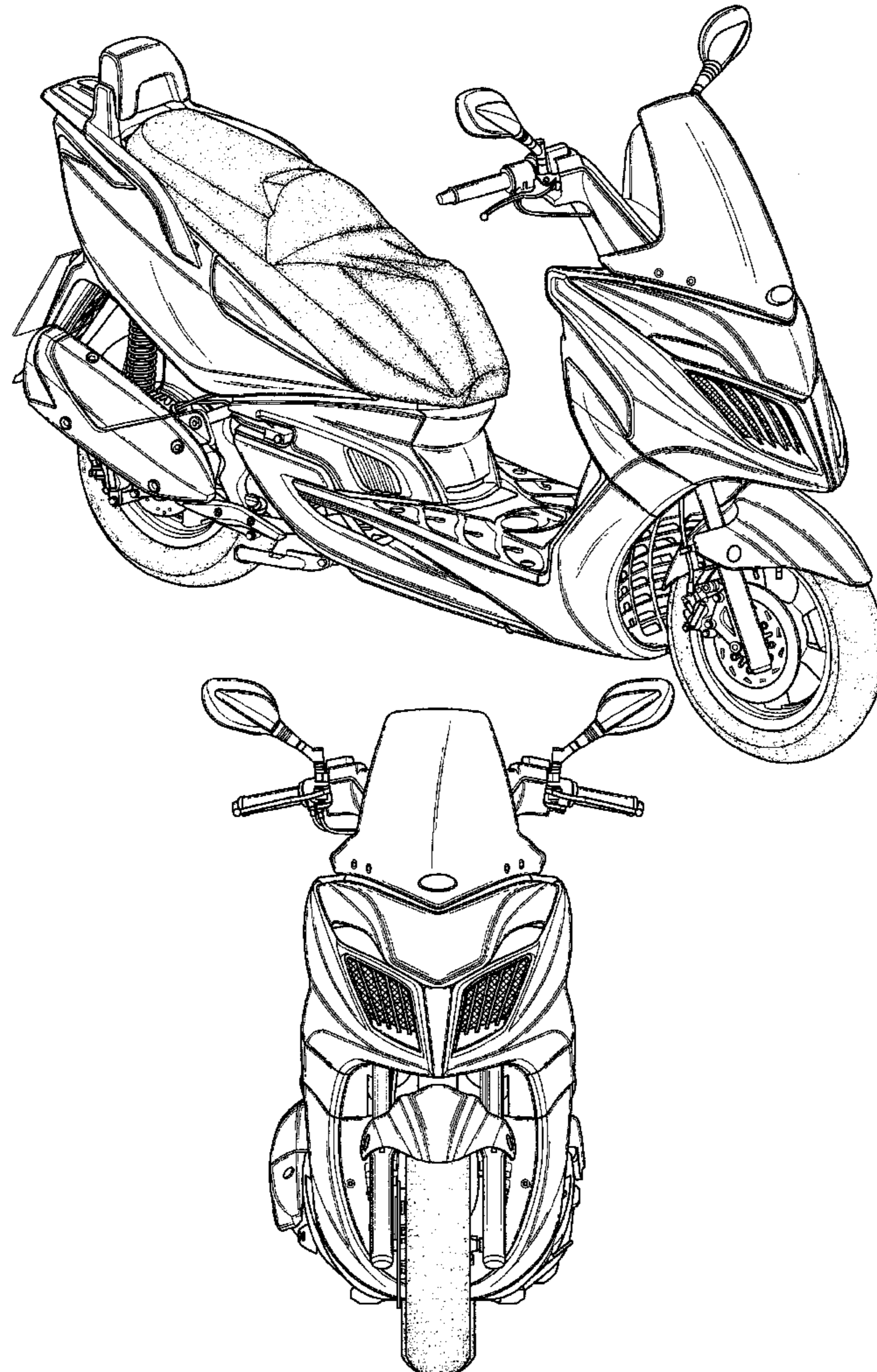
FIG. 7 is a bottom plan view thereof.

(56) **References Cited**

U.S. PATENT DOCUMENTS

D539,192 S * 3/2007 Chen et al. D12/110
D556,640 S * 12/2007 Wu D12/110

1 Claim, 6 Drawing Sheets



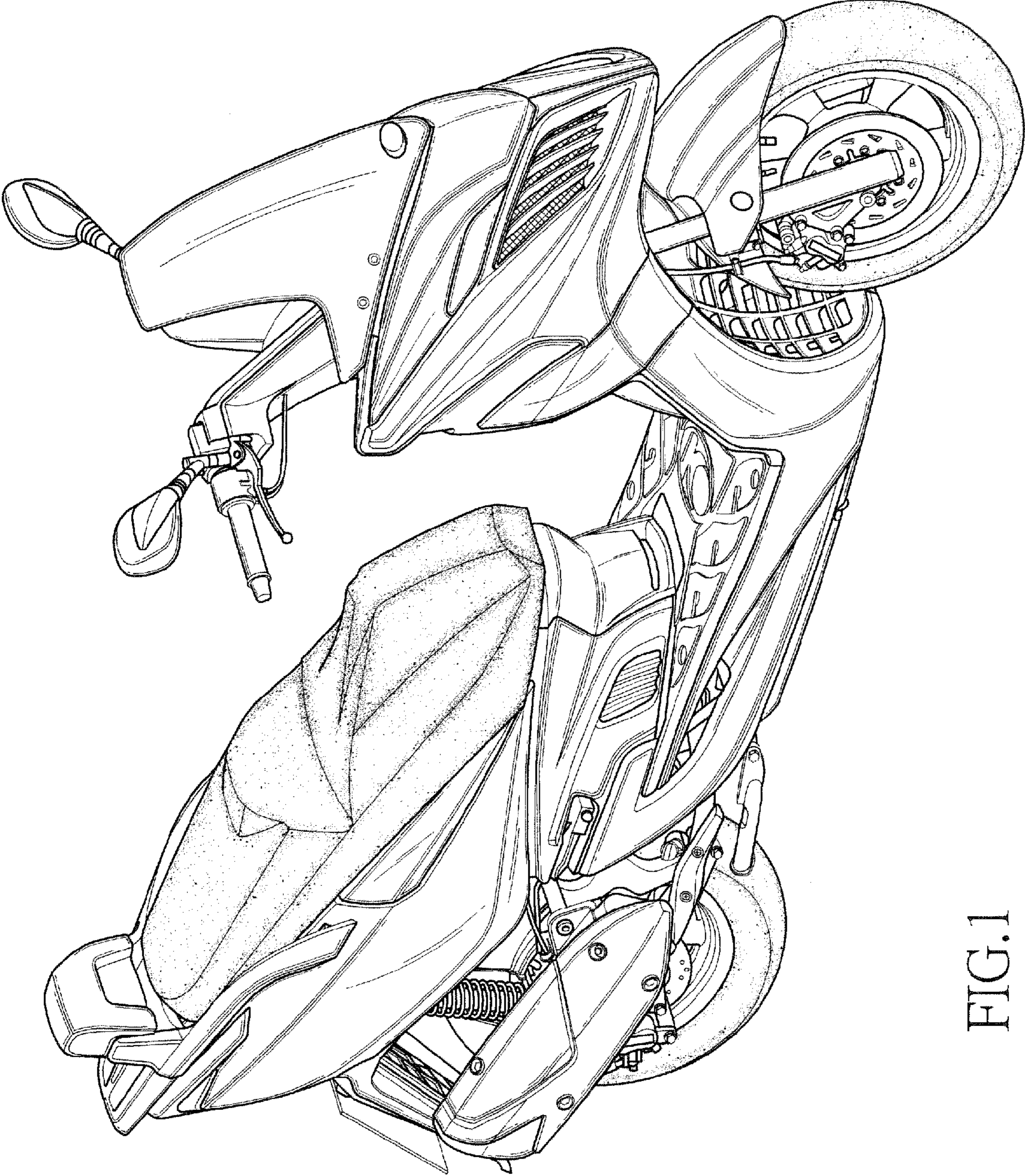


FIG. 1

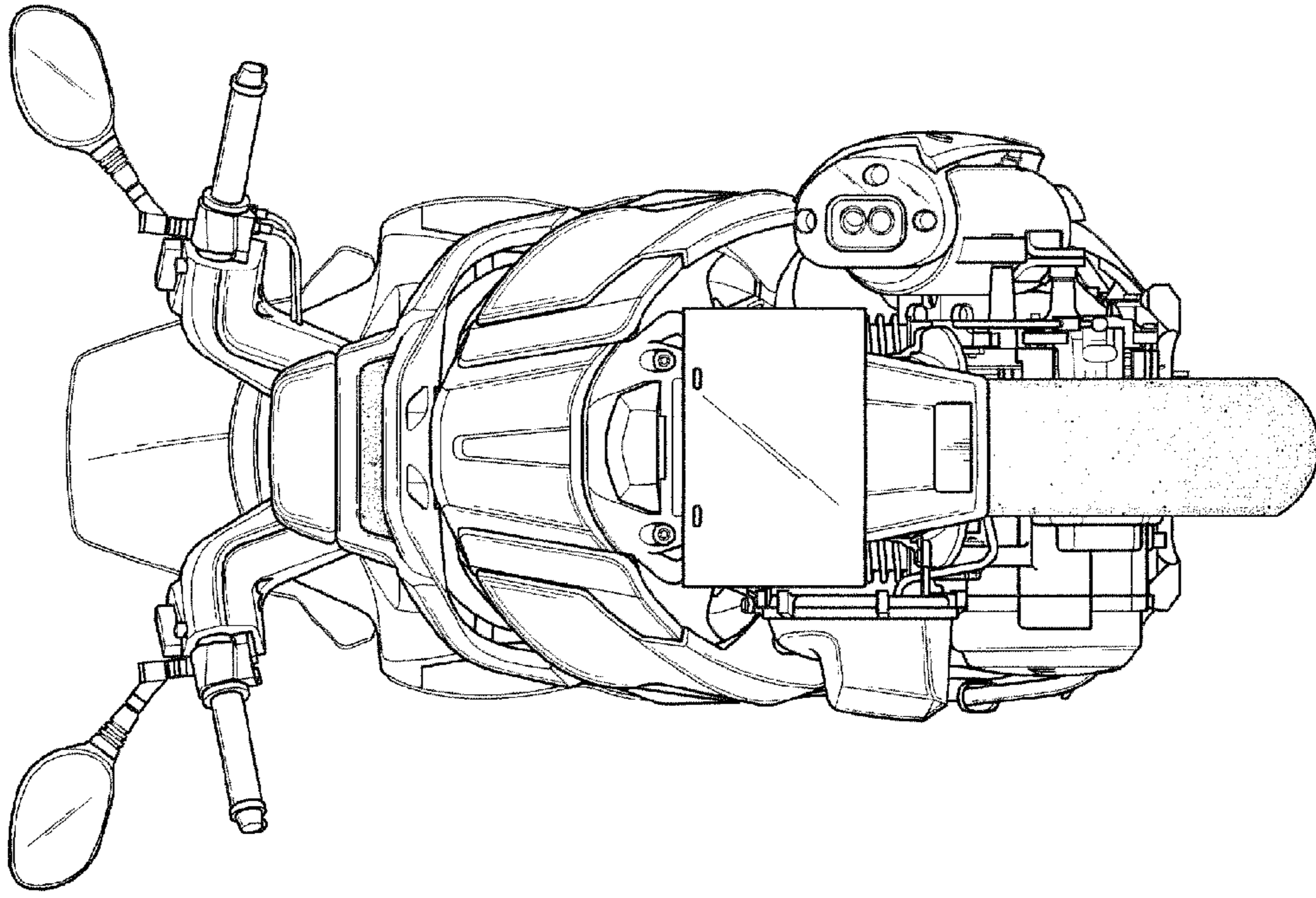


FIG.3

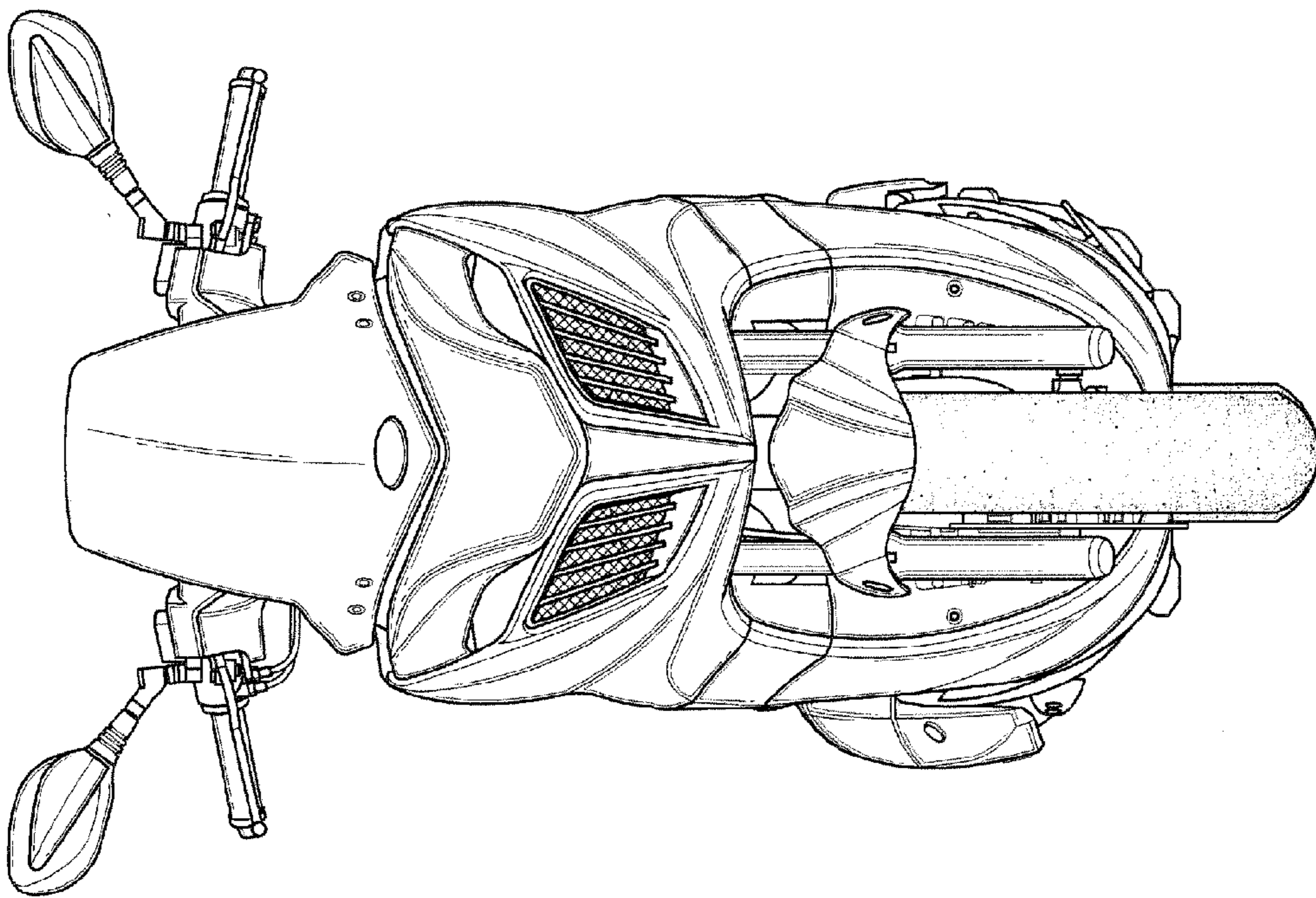


FIG.2

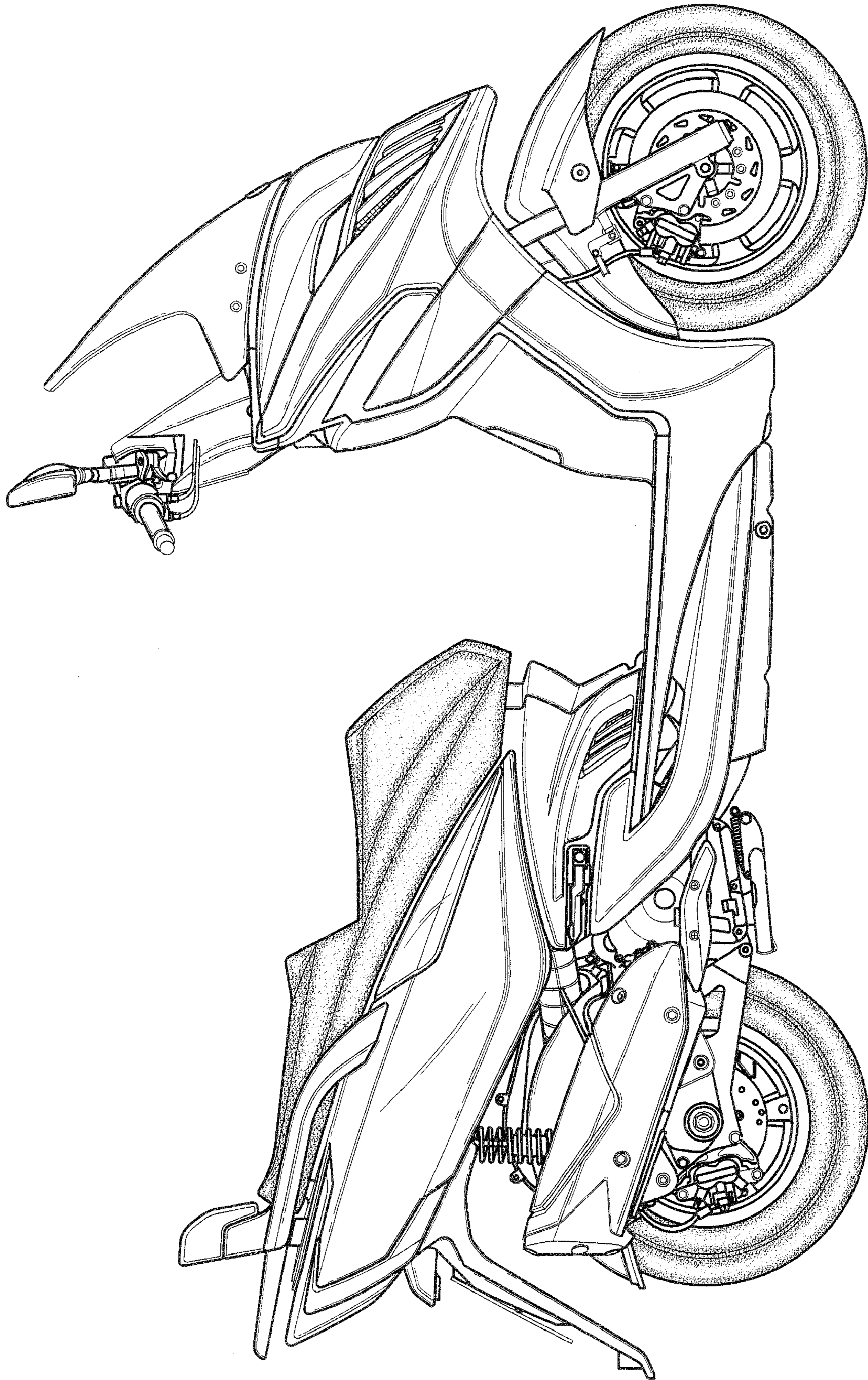


FIG.4

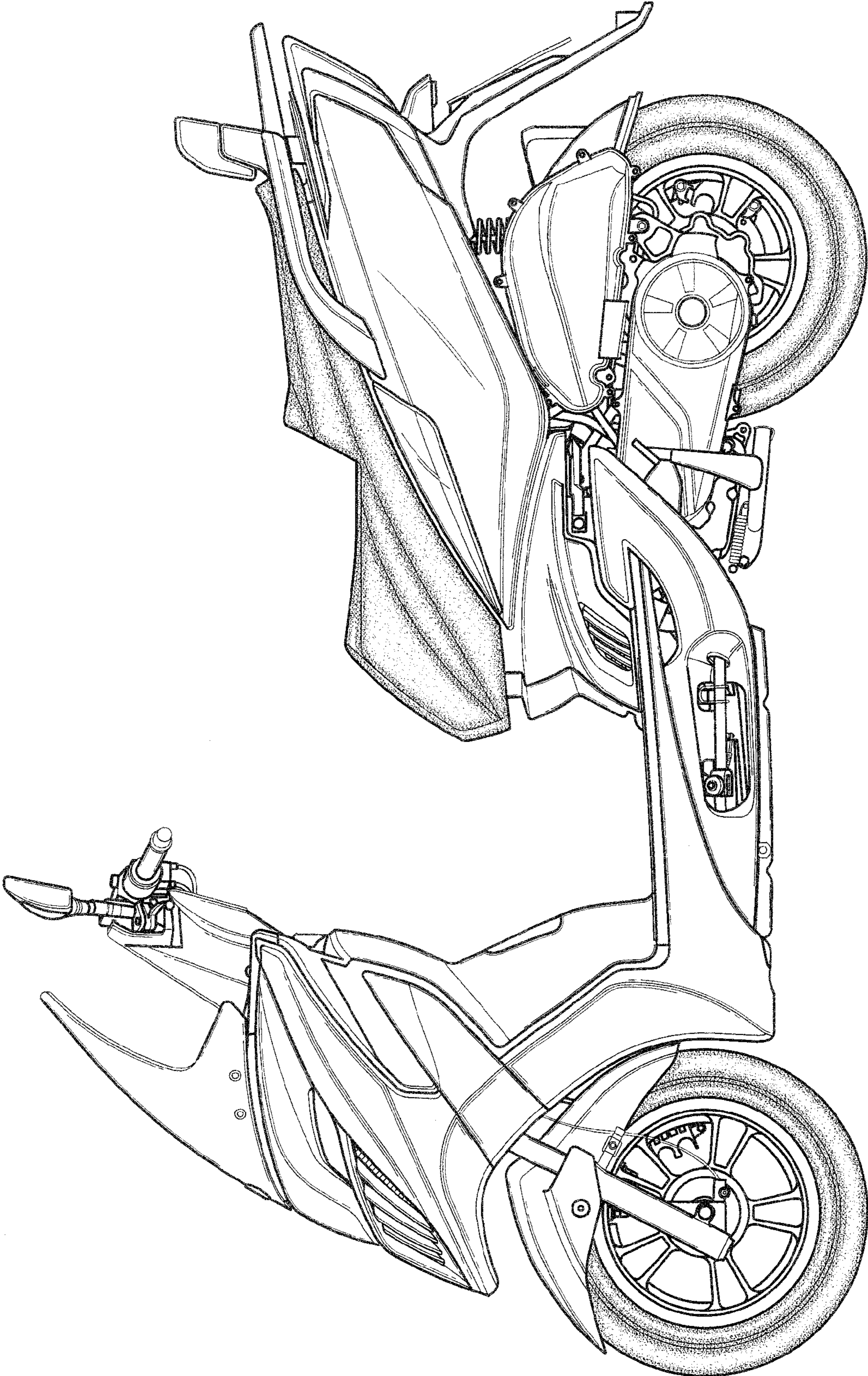


FIG.5

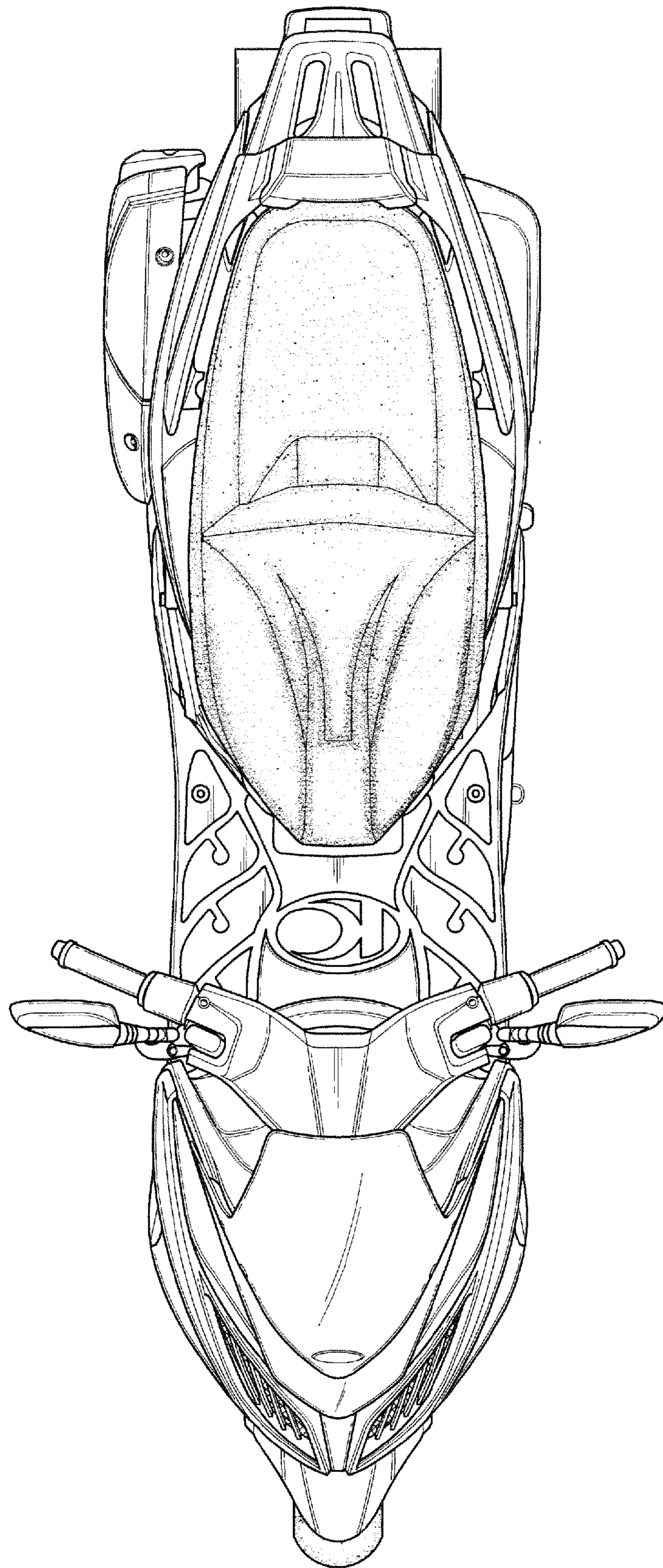


FIG.6

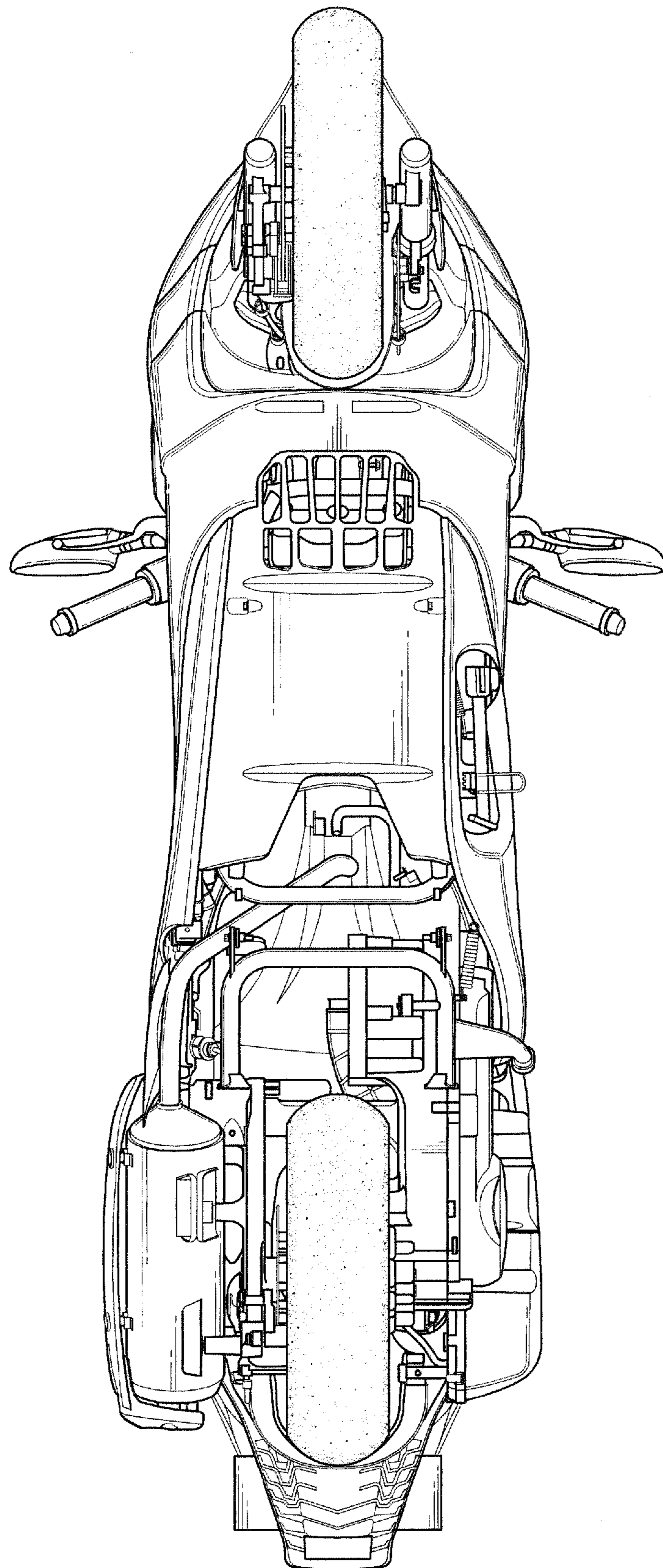


FIG.7