



US00D639210S

(12) **United States Design Patent**  
**Kettler**

(10) **Patent No.:** **US D639,210 S**

(45) **Date of Patent:** **\*\* Jun. 7, 2011**

(54) **PEDALED QUADRICYCLE**

(75) Inventor: **Joachim Kettler**, Ense (DE)

(73) Assignee: **Heinz Kettler GmbH & Co. KG**,  
Ense-Parsit (DE)

(\*\*) Term: **14 Years**

(21) Appl. No.: **29/365,748**

(22) Filed: **Jul. 14, 2010**

(30) **Foreign Application Priority Data**

Jan. 15, 2010 (DE) ..... 40 2010 000 222

(51) **LOC (9) Cl.** ..... **12-11**

(52) **U.S. Cl.** ..... **D12/107**

(58) **Field of Classification Search** ..... D12/107,  
D12/111-113; 280/209, 267, 282, 200, 263,  
280/259, 265, 828; D21/424-426, 432, 533,  
D21/538, 433; 446/440, 451, 431, 460, 465,  
446/466, 468-471

See application file for complete search history.

(56) **References Cited**

U.S. PATENT DOCUMENTS

D146,542 S *	4/1947	Hecht .....	D12/107
D230,619 S *	3/1974	Campbell et al. ....	D12/107
D328,881 S *	8/1992	Herman et al. ....	D12/107
D337,553 S *	7/1993	Valentine et al. ....	D12/107
5,273,300 A *	12/1993	Wells .....	280/259
D387,703 S *	12/1997	Thuma .....	D12/107

\* cited by examiner

*Primary Examiner* — Susan M Lee

*Assistant Examiner* — Linda G. Brooks

(74) *Attorney, Agent, or Firm* — Laurence A. Greenberg;  
Werner H. Stemer; Ralph E. Locher

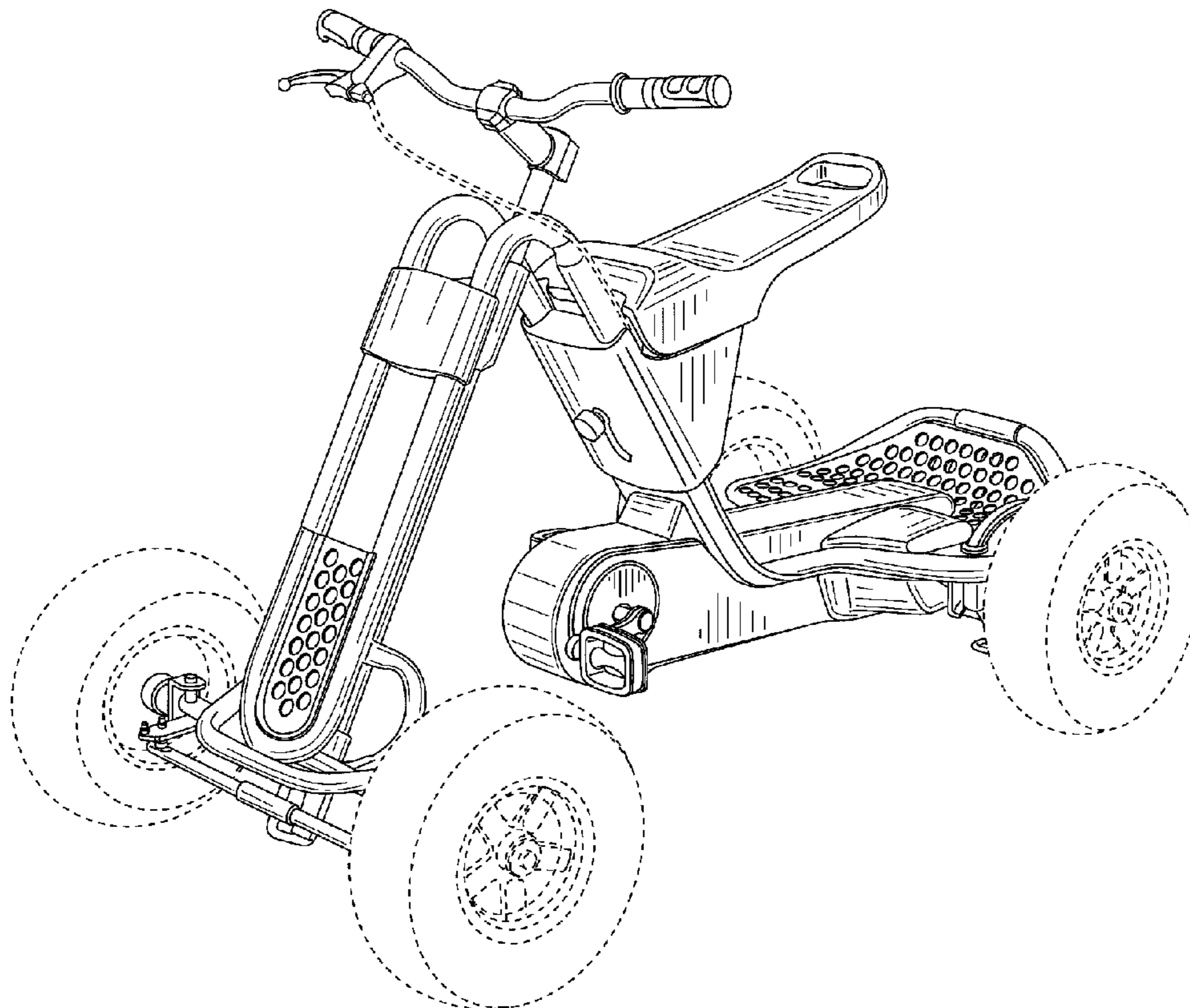
(57) **CLAIM**

The ornamental design for a pedaled quadricycle, as shown and described.

**DESCRIPTION**

FIG. 1 is a front, left-side perspective view of a pedaled quadricycle, showing my new design;  
FIG. 2 is a rear, left-side perspective view thereof;  
FIG. 3 is a rear, perspective view thereof;  
FIG. 4 is a right-side, perspective view thereof; and,  
FIG. 5 is a front, perspective view thereof.  
In the drawings, the broken lines show details that form no part of the claim.

**1 Claim, 5 Drawing Sheets**



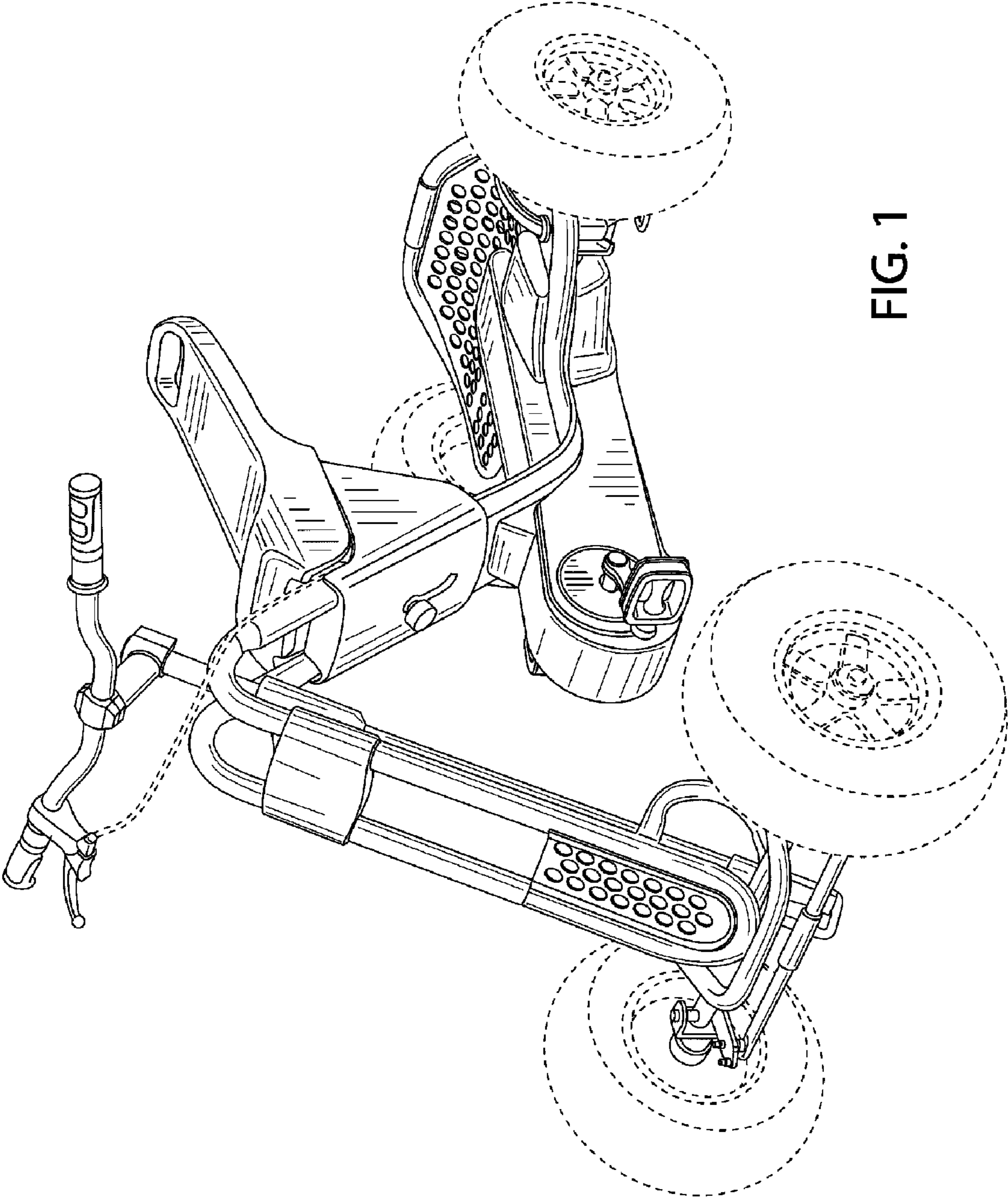


FIG. 1

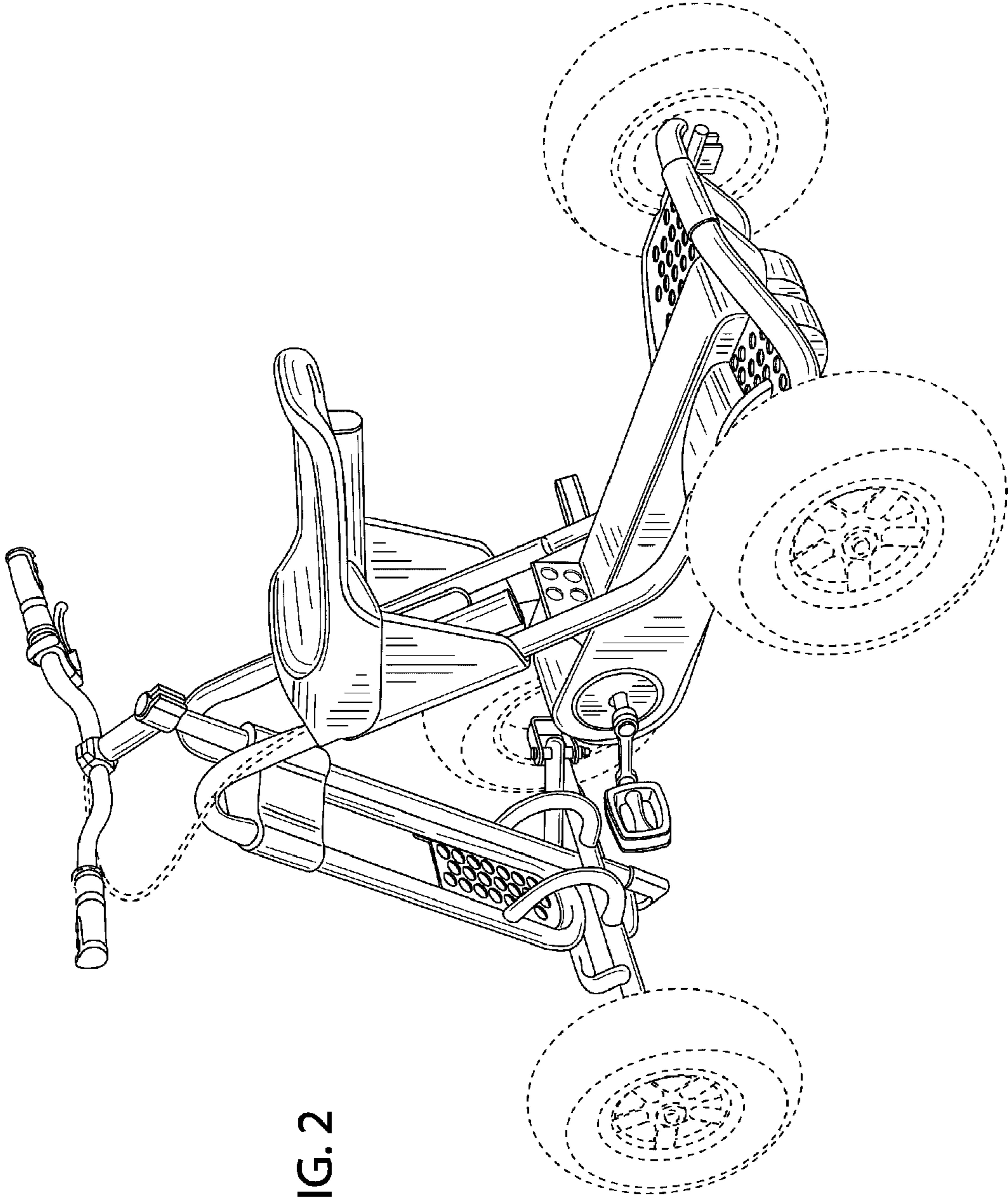


FIG. 2

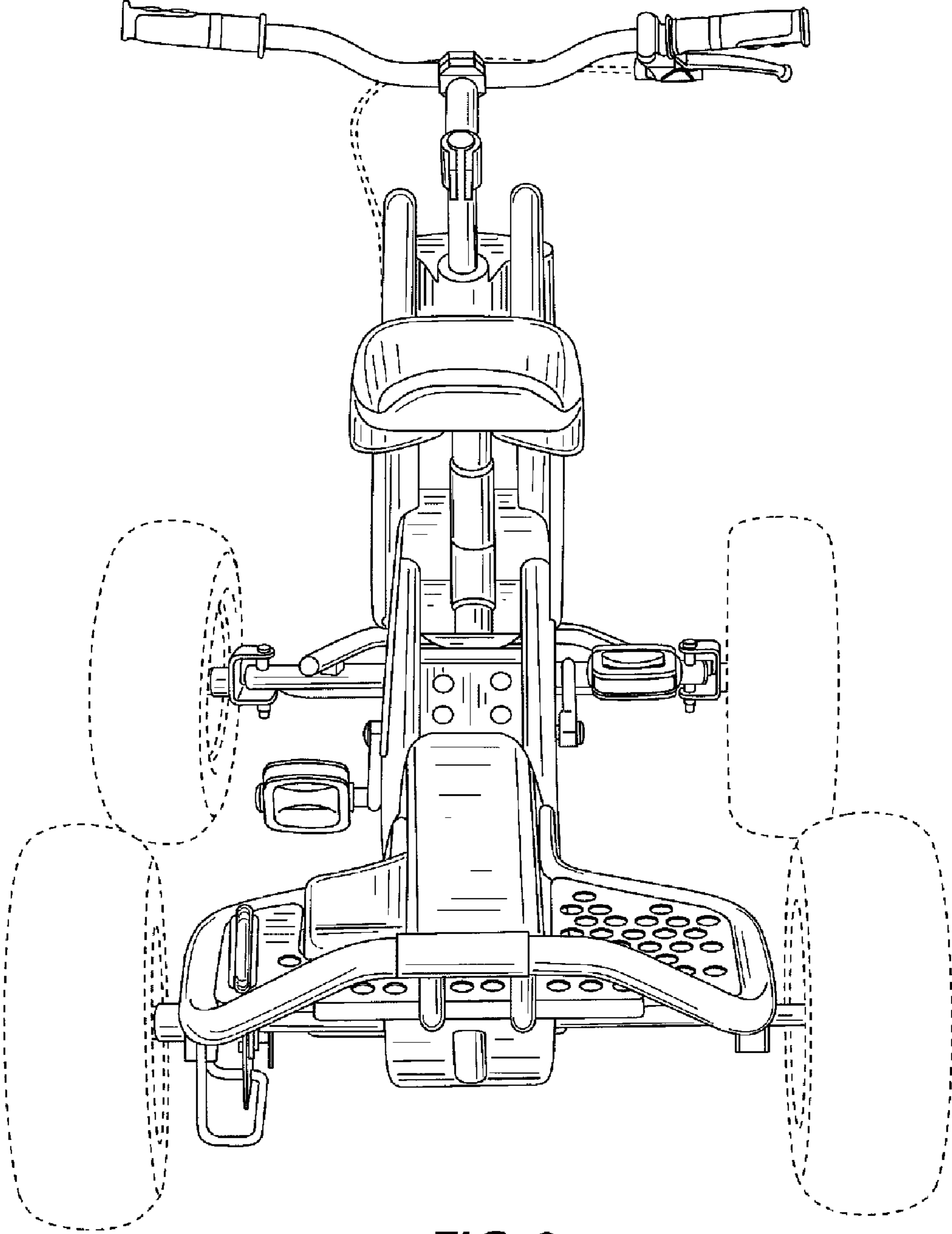


FIG. 3

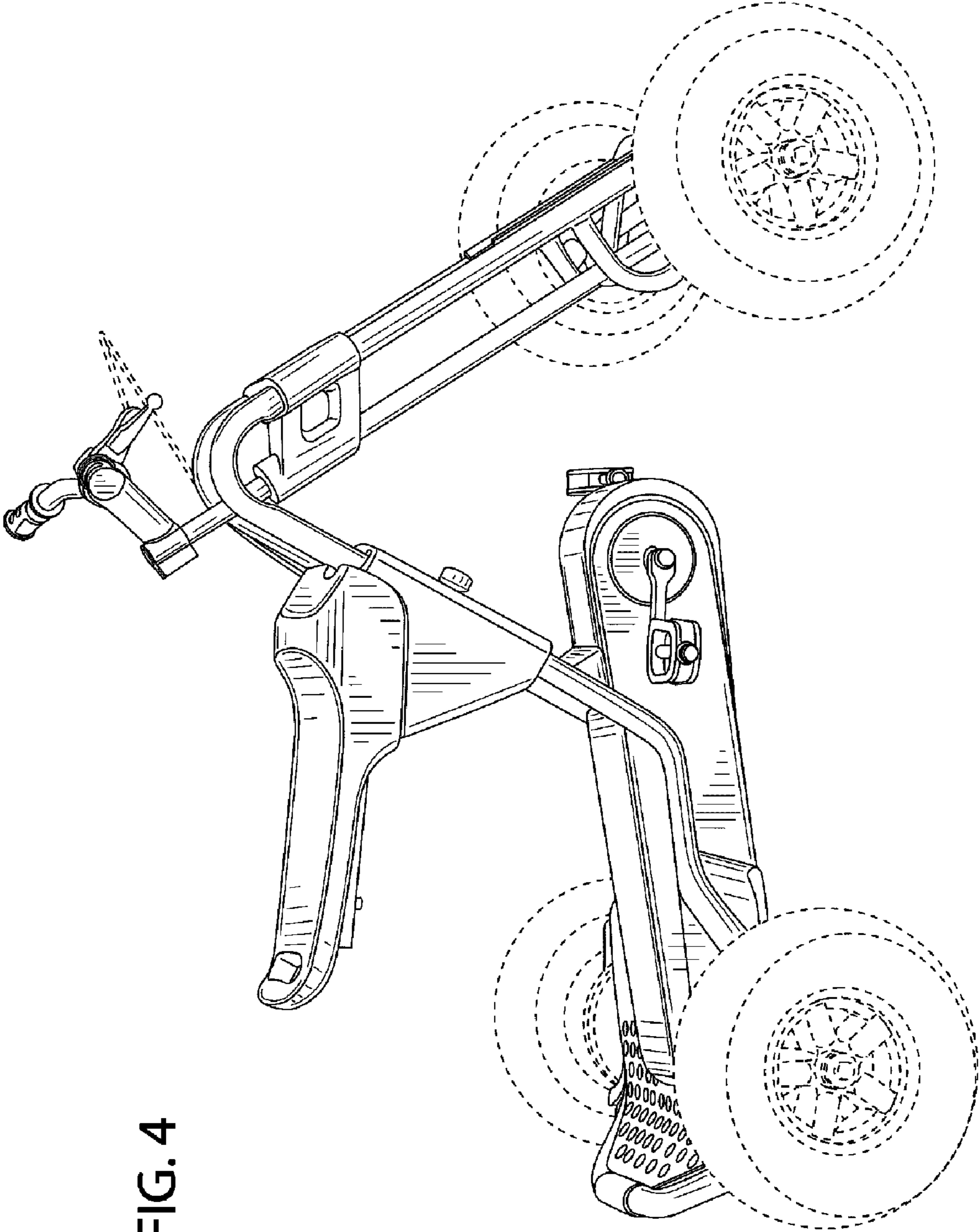


FIG. 4

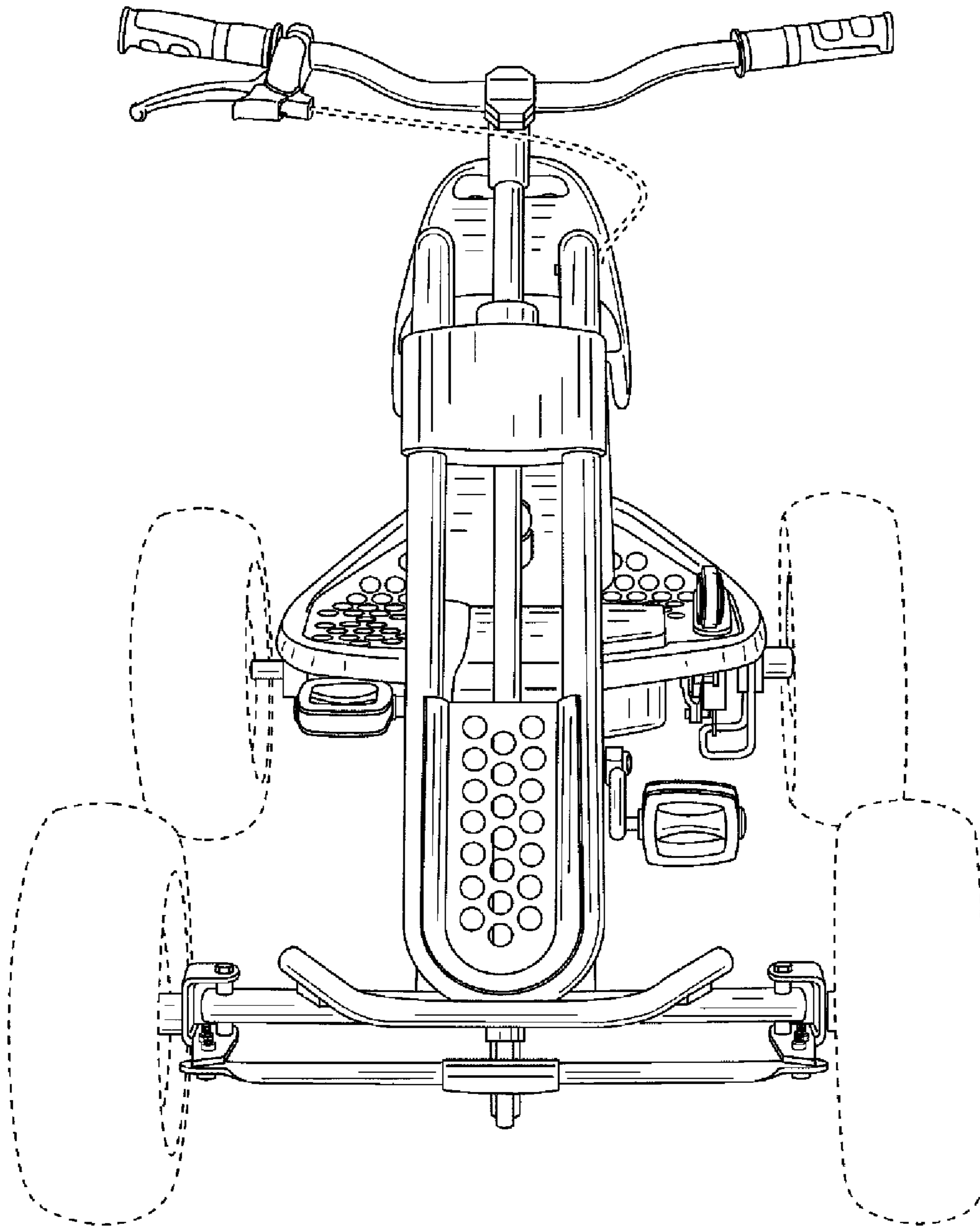


FIG. 5