

US00D639208S

(12) **United States Design Patent**
Li

(10) **Patent No.:** **US D639,208 S**

(45) **Date of Patent:** **** Jun. 7, 2011**

(54) **ELECTRIC VEHICLE**

(75) Inventor: **Xue Li**, Suzhou (CN)

(73) Assignee: **Suzhou Eagle Electric Vehicle Manufacturing Co., Ltd.**, Suzhou, Jiangsu Province (CN)

(**) Term: **14 Years**

(21) Appl. No.: **29/377,638**

(22) Filed: **Oct. 23, 2010**

(30) **Foreign Application Priority Data**

May 27, 2010 (CN) 2010 3 0181372

(51) **LOC (9) Cl.** **12-08**

(52) **U.S. Cl.** **D12/86**

(58) **Field of Classification Search** D12/86,
D12/90-92, 88; D21/424, 433, 434; 296/181.1,
296/181.5

See application file for complete search history.

(56) **References Cited**

U.S. PATENT DOCUMENTS

D410,215 S * 5/1999 Murata et al. D12/86

D419,485 S * 1/2000 Sturges D12/86

D437,256 S * 2/2001 Parent D12/86

D442,119 S * 5/2001 Murata et al. D12/86

D552,509 S * 10/2007 Walkup et al. D12/16

D603,296 S * 11/2009 Zhou et al. D12/86

D629,717 S * 12/2010 Artioli D12/91

* cited by examiner

Primary Examiner — Melody N Brown

(74) *Attorney, Agent, or Firm* — Cheng-Ju Chiang

(57) **CLAIM**

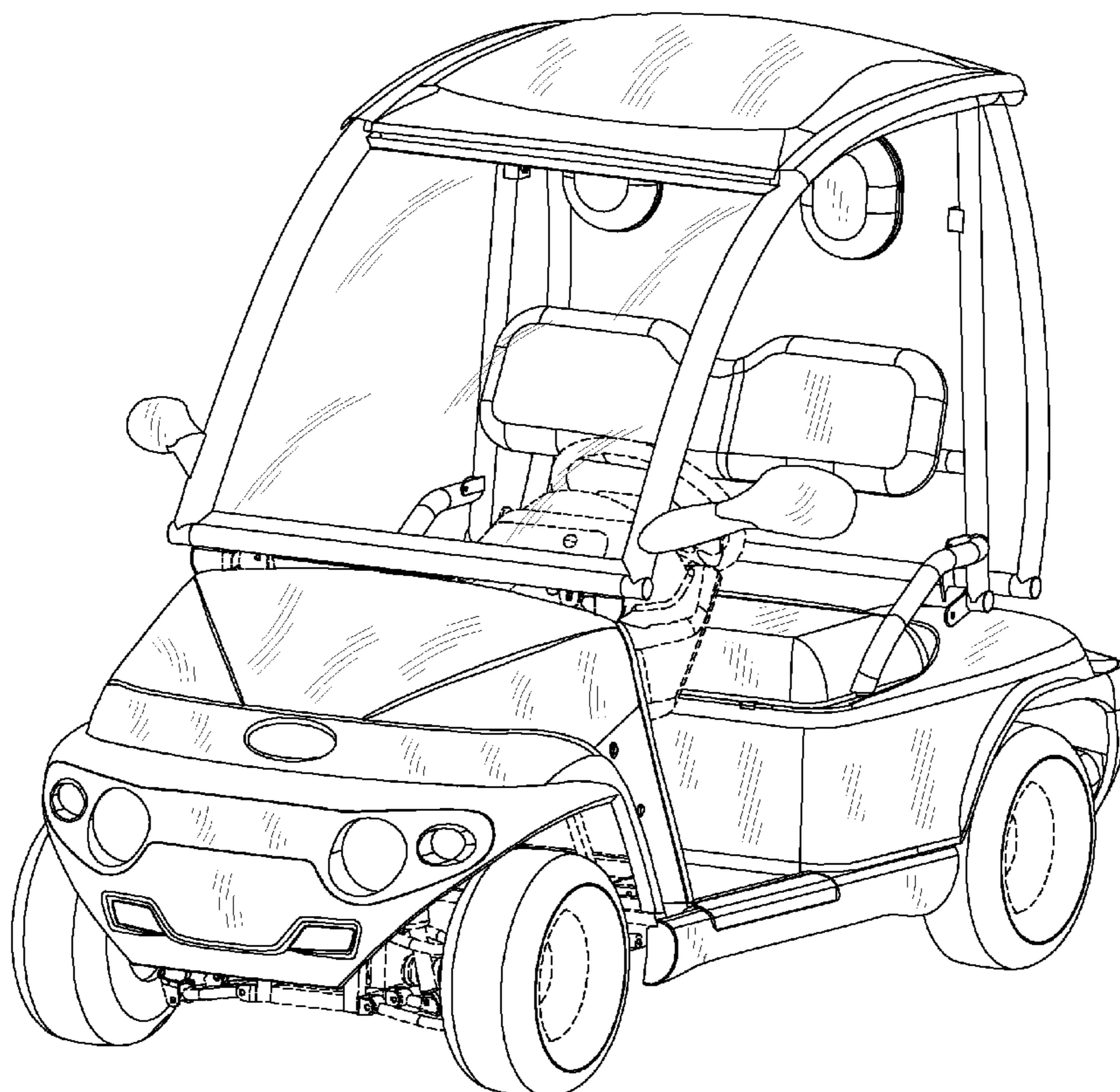
The ornamental design for an electric vehicle, as shown and described.

DESCRIPTION

FIG. 1 is a top, front and right side perspective view of an electric vehicle showing our new design; FIG. 2 is a front elevation view thereof; FIG. 3 is a rear elevation view thereof; FIG. 4 is a left side elevation view thereof; FIG. 5 is a right side elevation view thereof; and, FIG. 6 is a top plan view thereof.

The bottom has no claimed ornamental features. The broken lines showing of elements in the figures are for the purpose of illustrating environment and form no part of the claimed design.

1 Claim, 6 Drawing Sheets



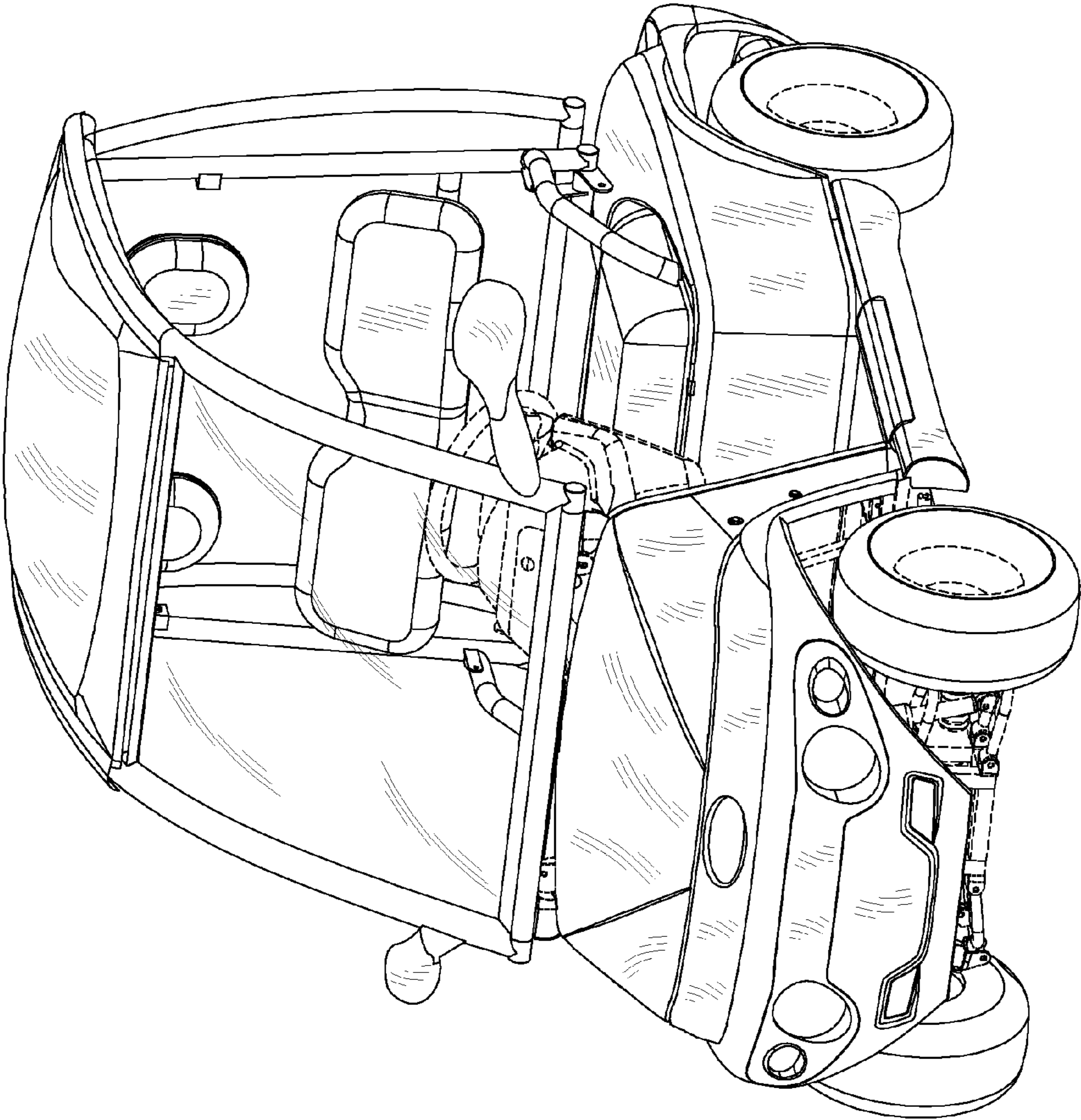


FIG. 1

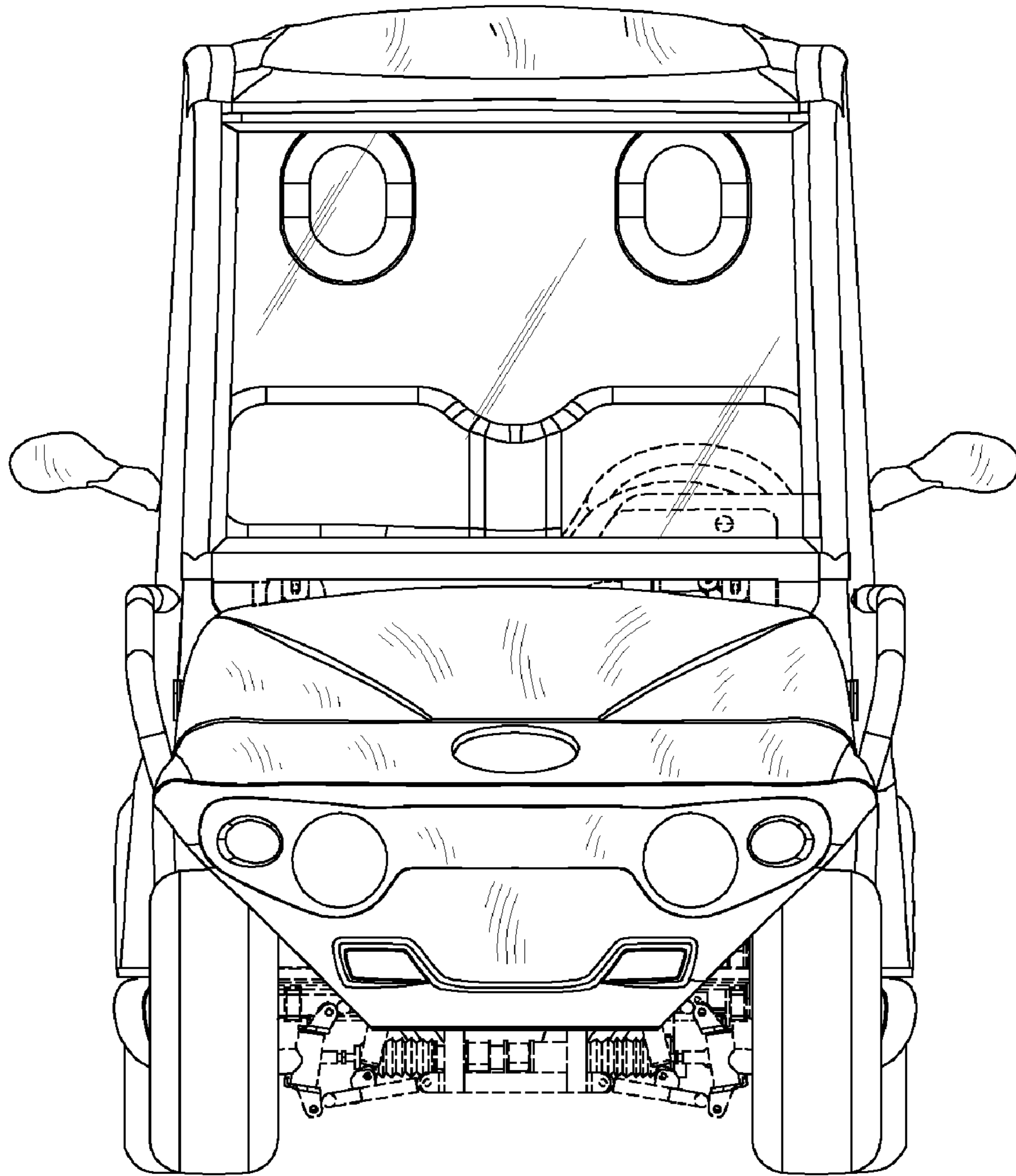


FIG. 2

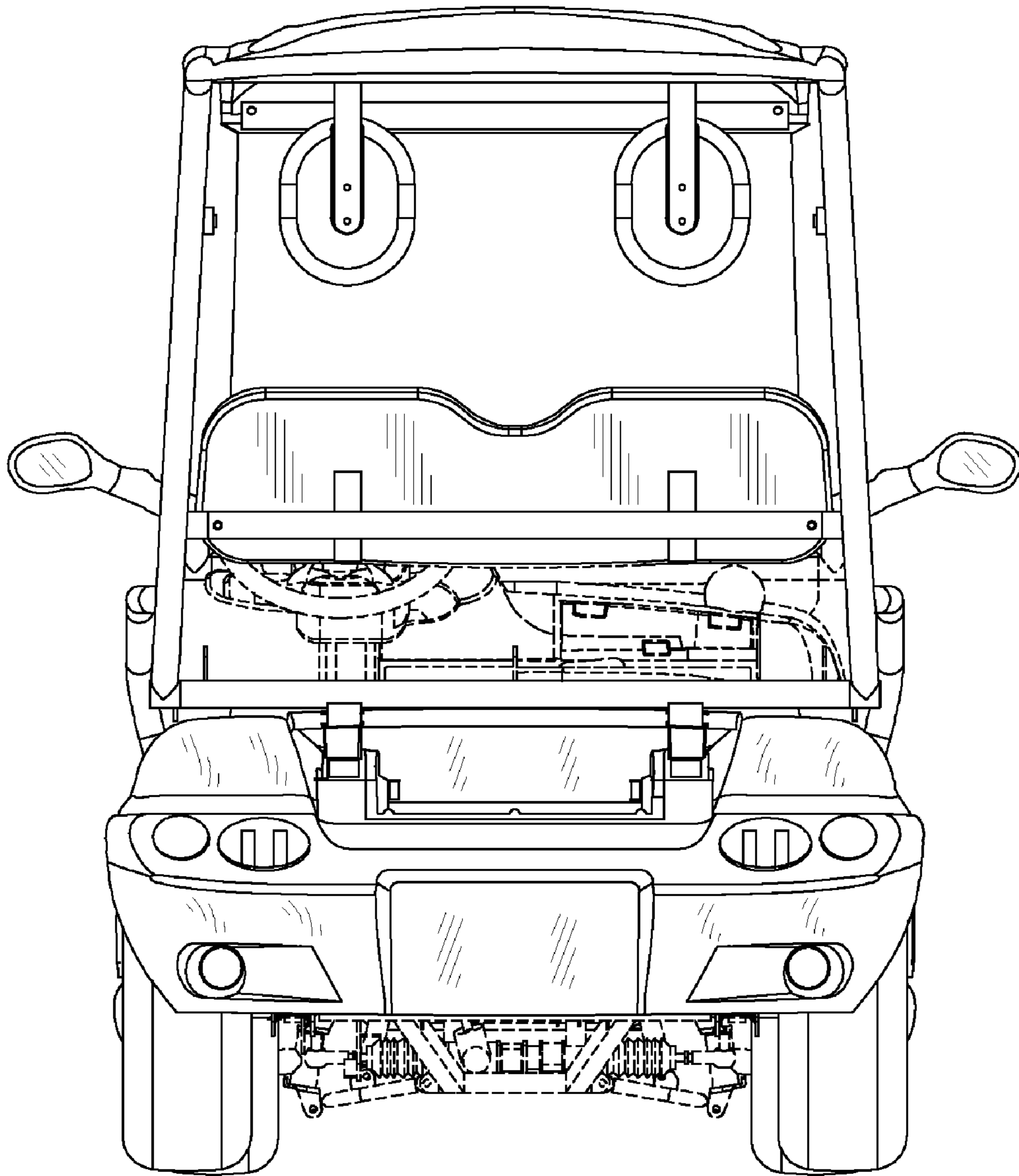


FIG. 3

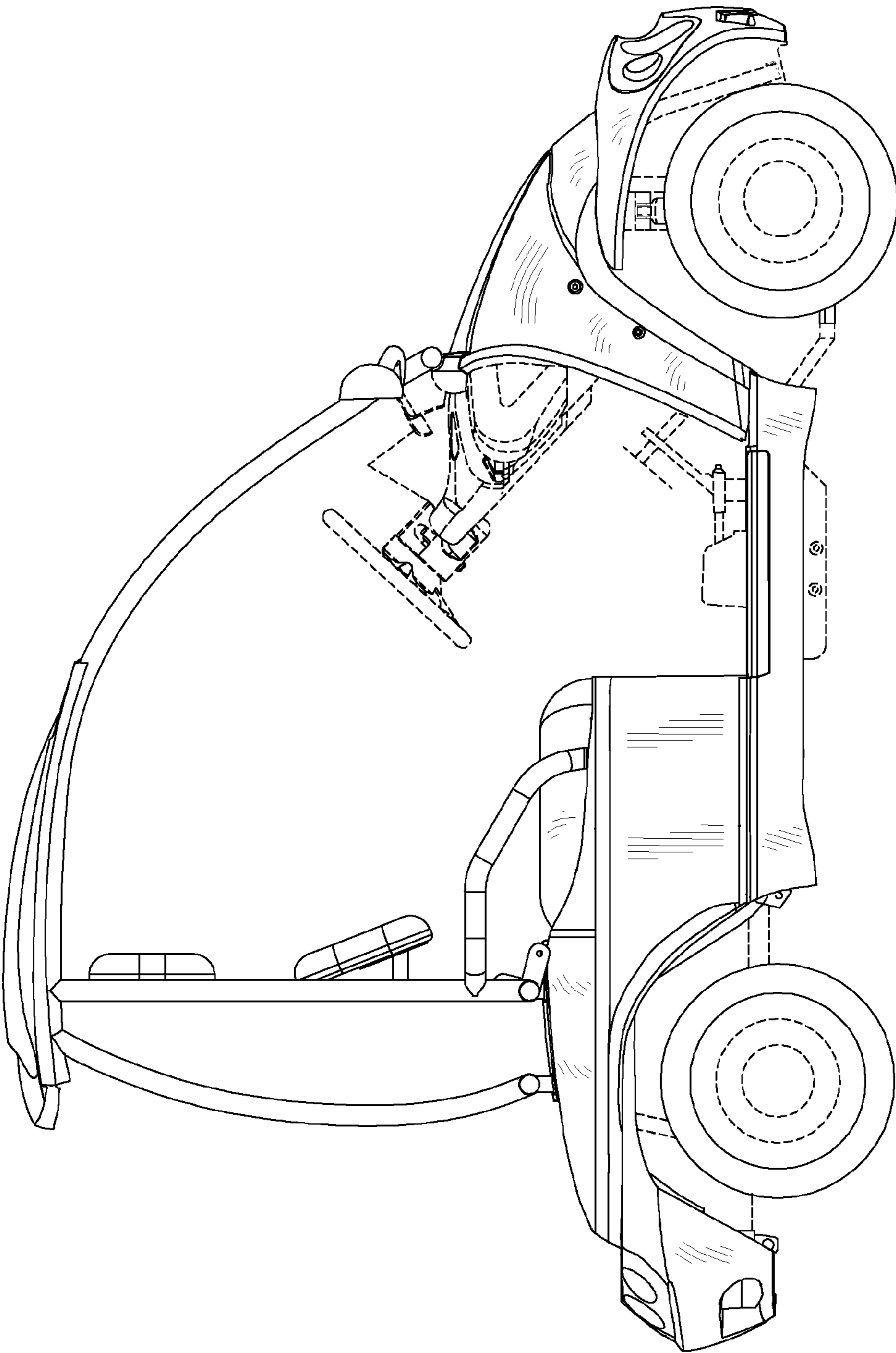


FIG. 4

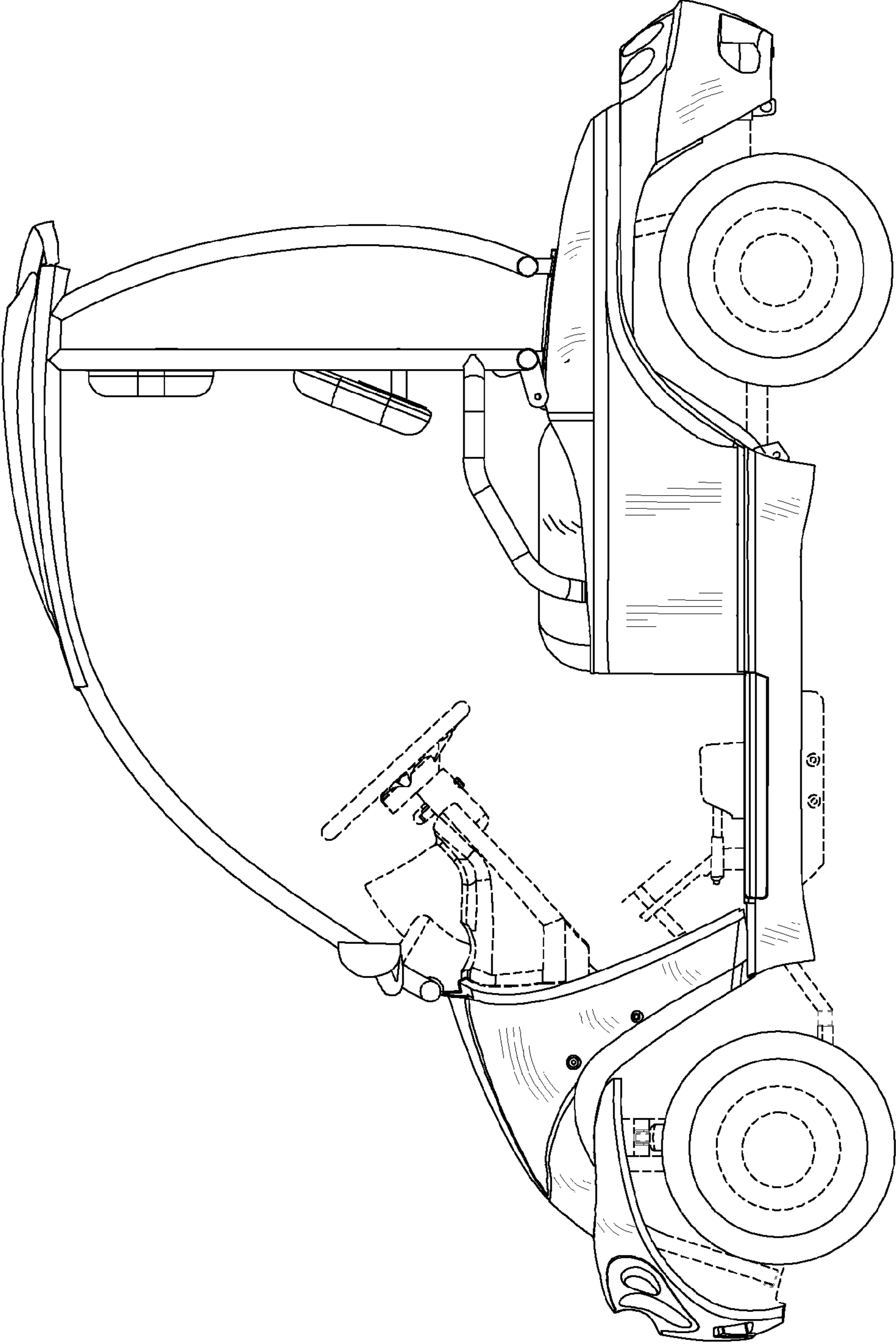


FIG. 5

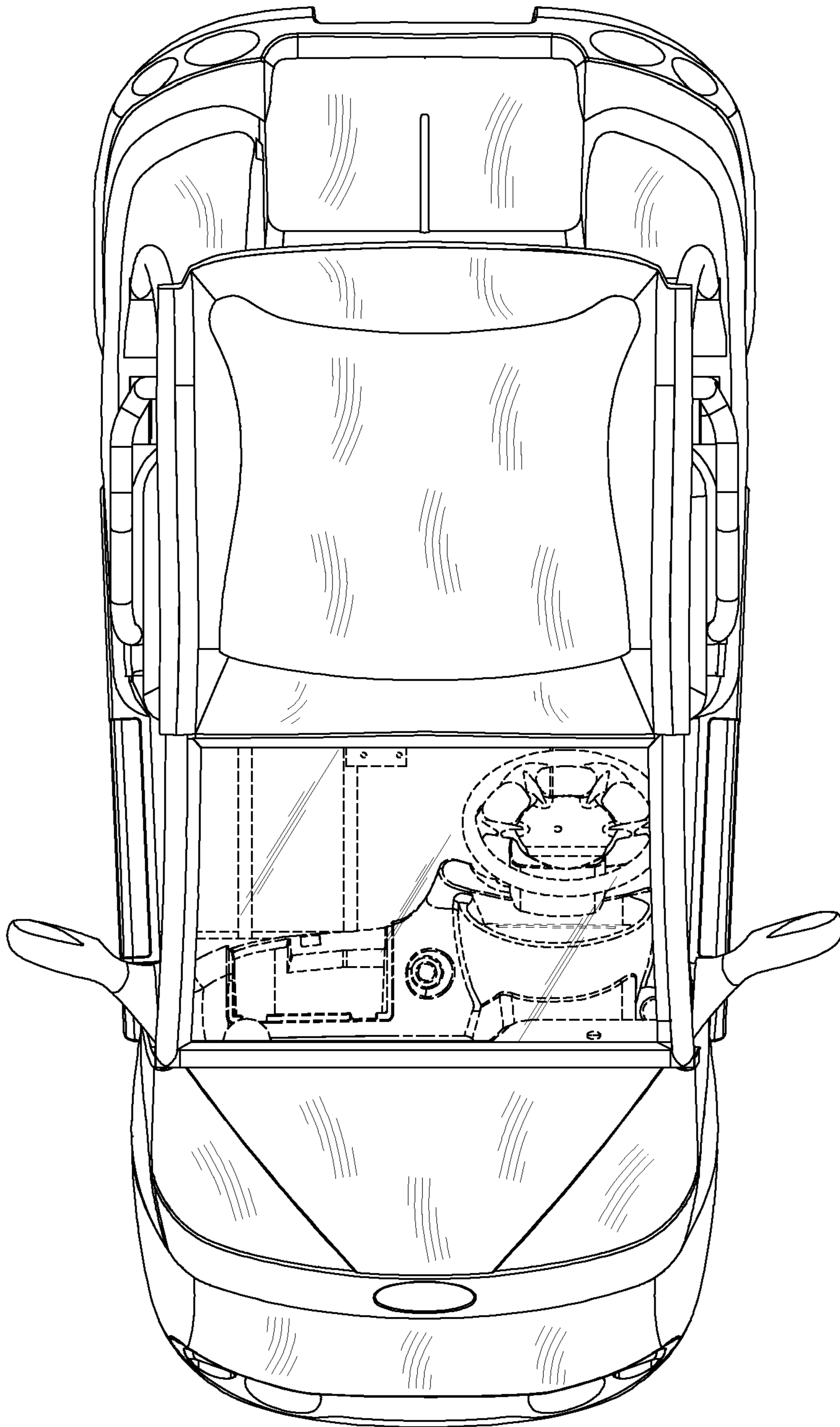


FIG. 6