

US00D639207S

(12) **United States Design Patent**  
**Danisi**

(10) **Patent No.:** **US D639,207 S**  
(45) **Date of Patent:** **\*\* Jun. 7, 2011**

(54) **CAR CHASSIS**

(75) Inventor: **Giacomo Danisi**, Nichelino (IT)

(73) Assignee: **Danisi Engineering S.R.L.**, Nichelino (TO) (IT)

(\*\*) Term: **14 Years**

(21) Appl. No.: **29/379,757**

(22) Filed: **Nov. 23, 2010**

(51) **LOC (9) Cl.** ..... **12-08**

(52) **U.S. Cl.** ..... **D12/82; D12/86**

(58) **Field of Classification Search** ..... D12/82,  
D12/86, 90-92; D21/424, 433, 434; 296/181.1,  
296/181.5; 280/781-787, 797; 180/311,  
180/312; 29/429, 897.2

See application file for complete search history.

(56) **References Cited**

**U.S. PATENT DOCUMENTS**

D451,050 S *	11/2001	Cerny et al.	.....	D12/86
D462,300 S *	9/2002	Cerny et al.	.....	D12/86
D523,775 S *	6/2006	Walden	.....	D12/86
D523,776 S *	6/2006	Walden	.....	D12/86
7,140,667 B2 *	11/2006	Steinhauser et al.	.....	296/181.2

D552,509 S *	10/2007	Walkup et al.	.....	D12/16
D633,009 S *	2/2011	Matei et al.	.....	D12/91
D633,823 S *	3/2011	Matei et al.	.....	D12/91

\* cited by examiner

*Primary Examiner* — Melody N Brown

(74) *Attorney, Agent, or Firm* — David A. Farah; Sheldon Mak & Anderson PC

(57) **CLAIM**

The ornamental design of a car chassis, as shown and described.

**DESCRIPTION**

FIG. 1 is a top, front and right side perspective view of a car chassis according to my new design;

FIG. 2 is a front elevation view of the car chassis shown in FIG. 1;

FIG. 3 is a right side elevation view of the car chassis shown in FIG. 1;

FIG. 4 is a left side elevation view of the car chassis shown in FIG. 1;

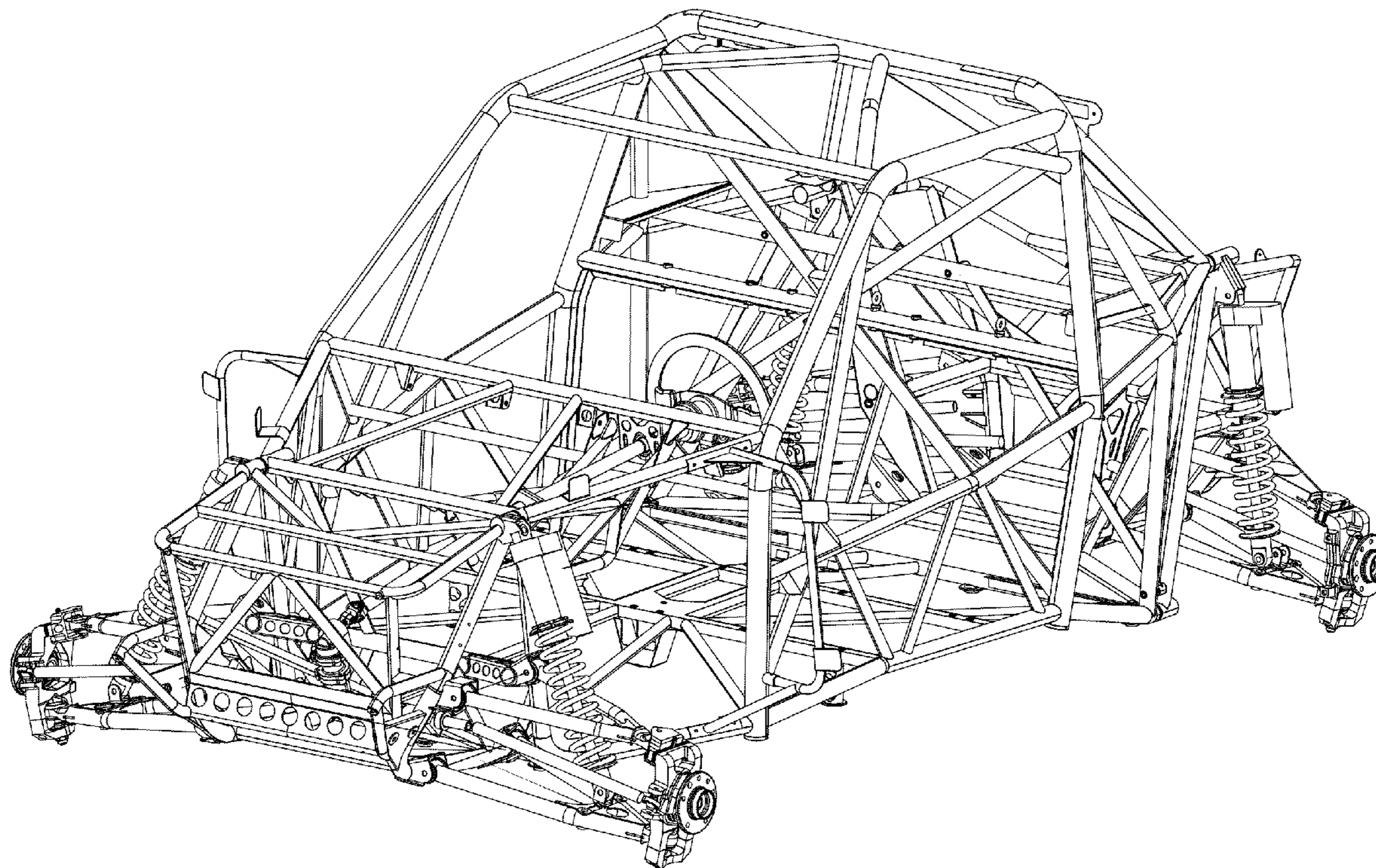
FIG. 5 is a rear elevation view of the car chassis shown in FIG. 1;

FIG. 6 is a top plan view of the car chassis shown in FIG. 1;

FIG. 7 is a bottom plan view of the car chassis shown in FIG. 1; and,

FIG. 8 is a top, rear and left side perspective view of car chassis shown in FIG. 1.

**1 Claim, 8 Drawing Sheets**



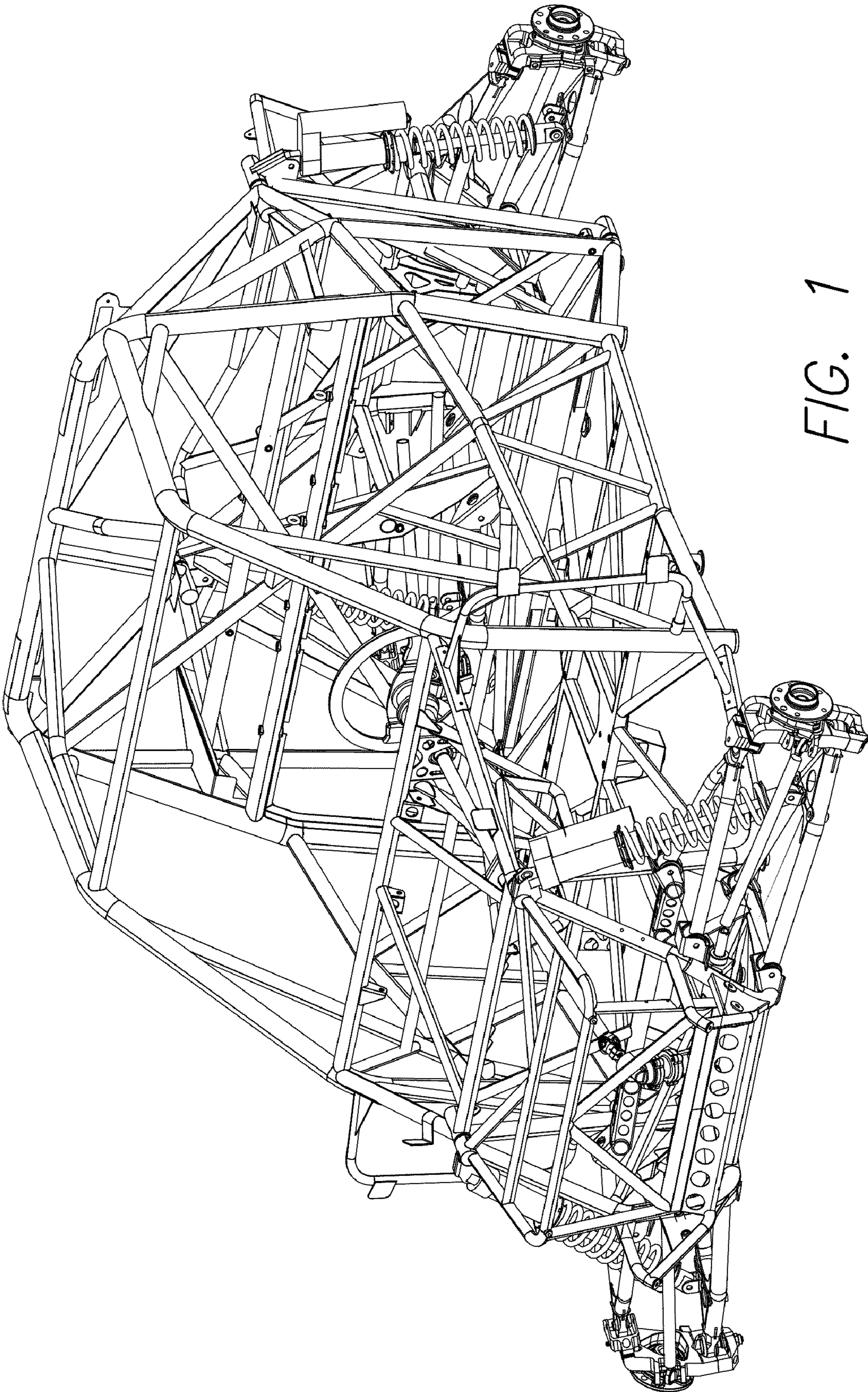


FIG. 1

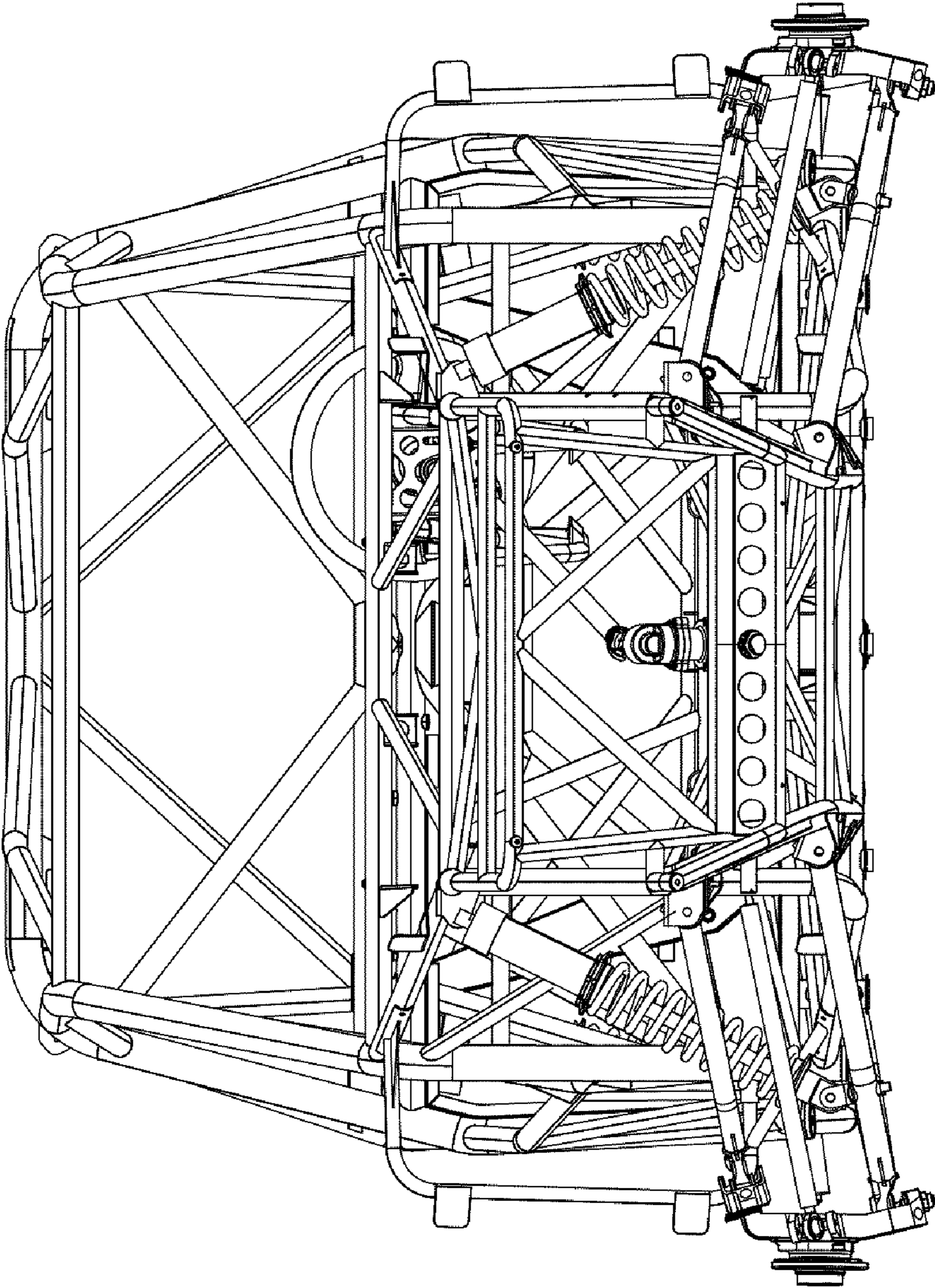


FIG. 2

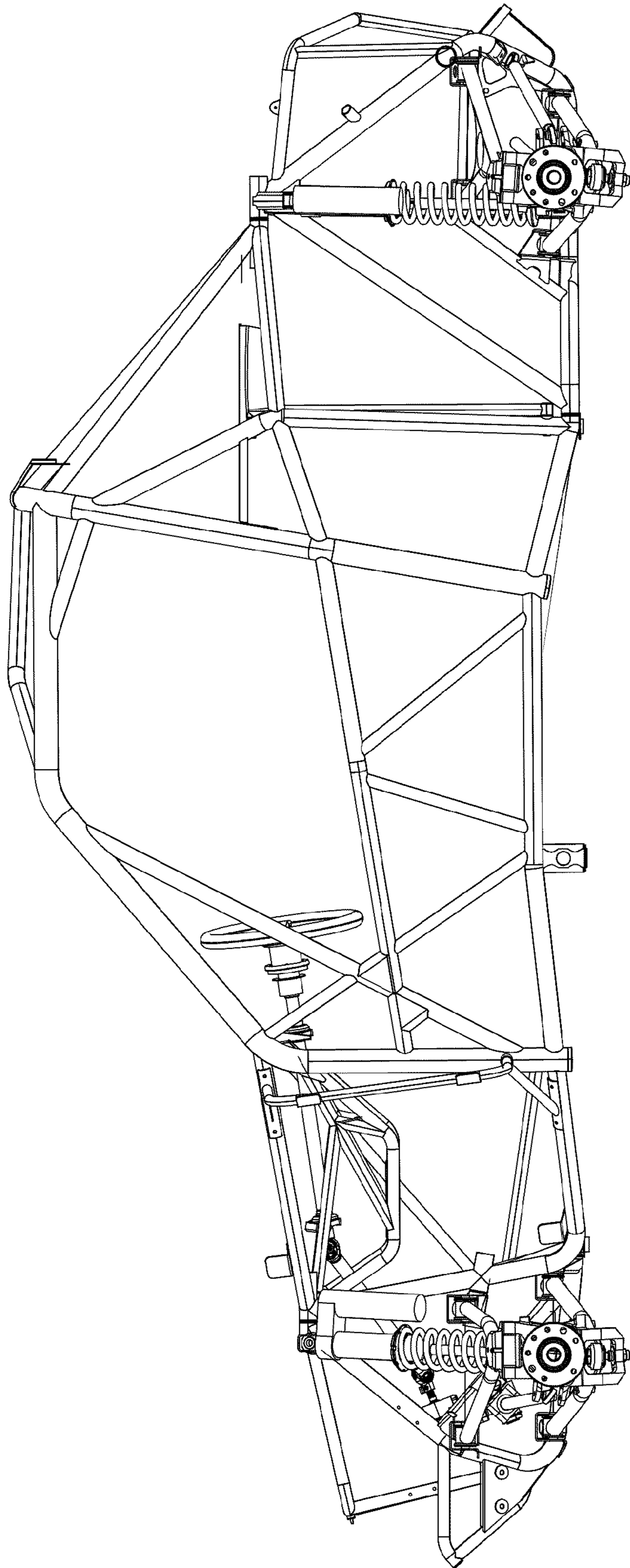


FIG. 3

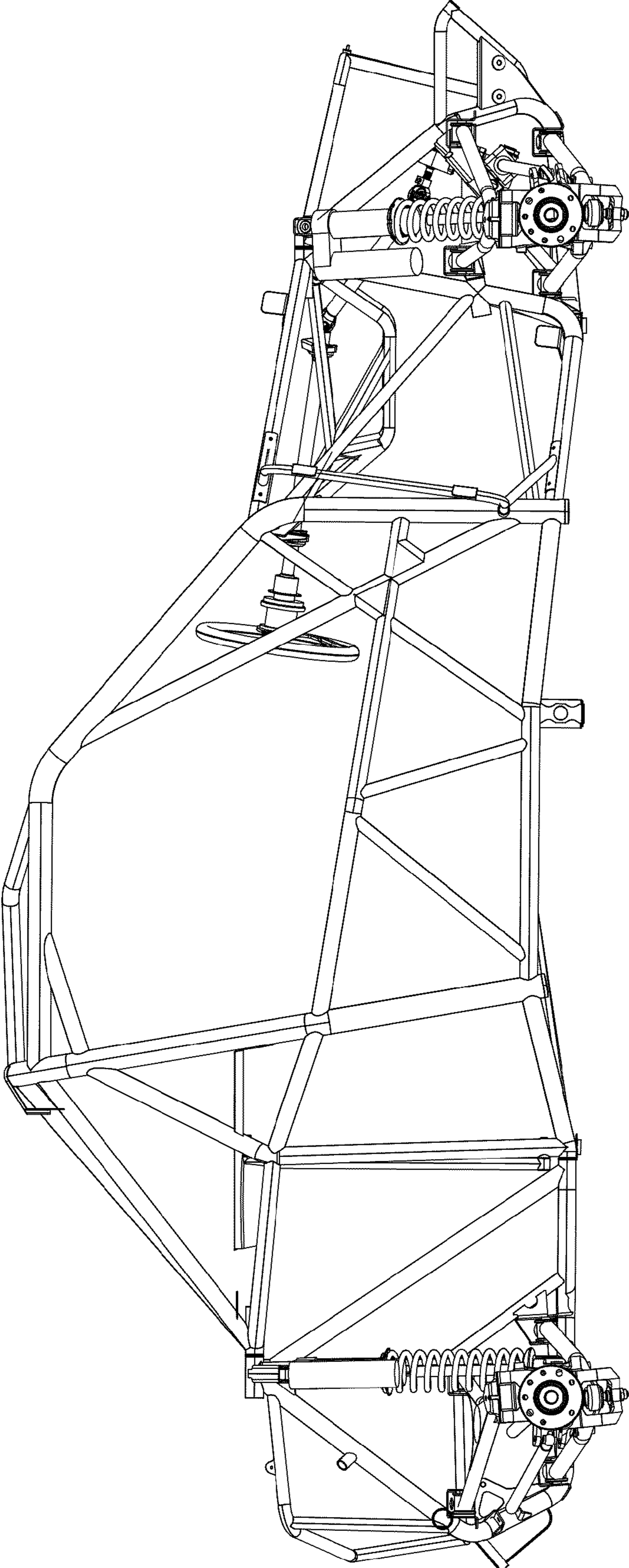


FIG. 4

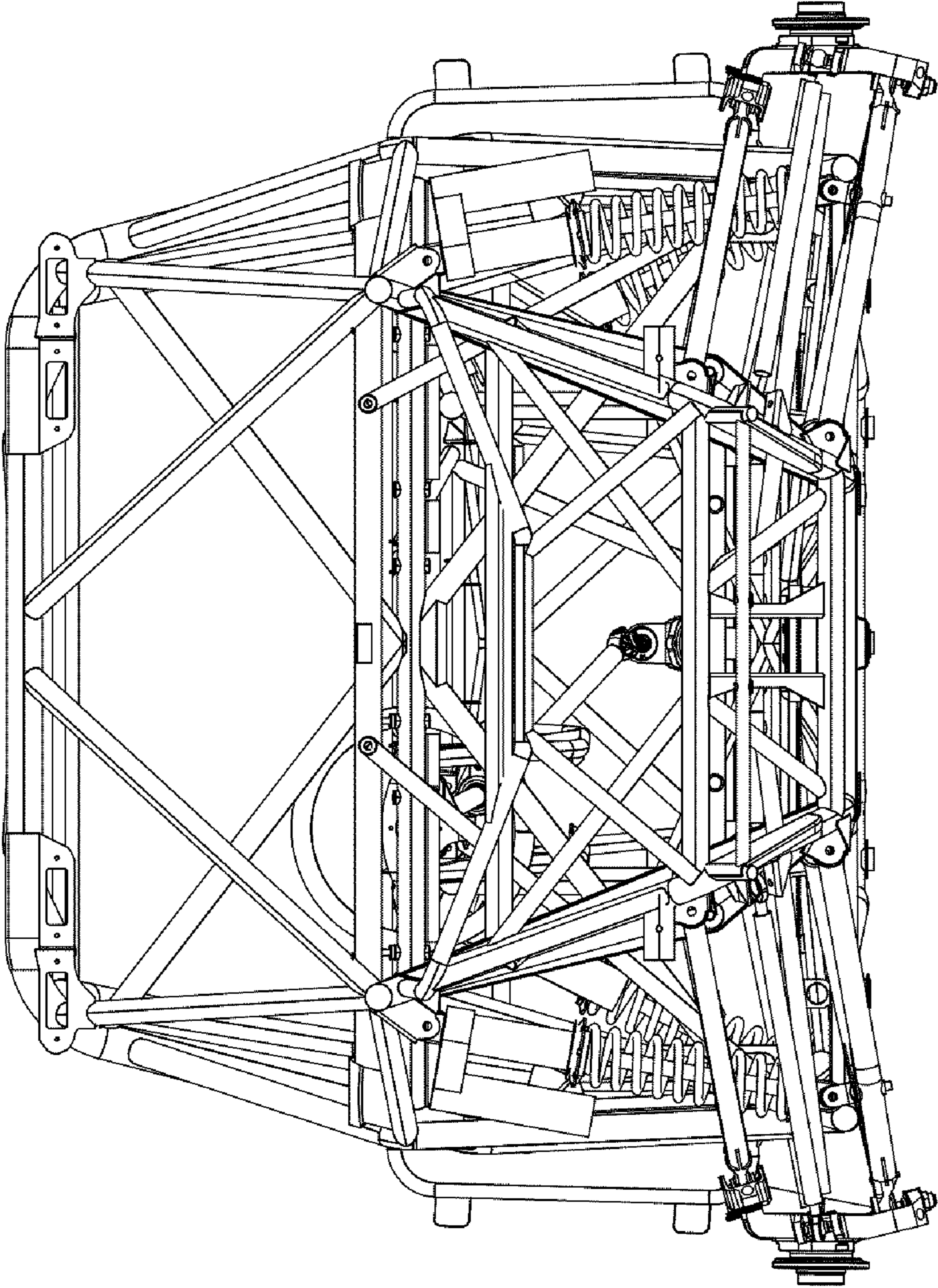


FIG. 5

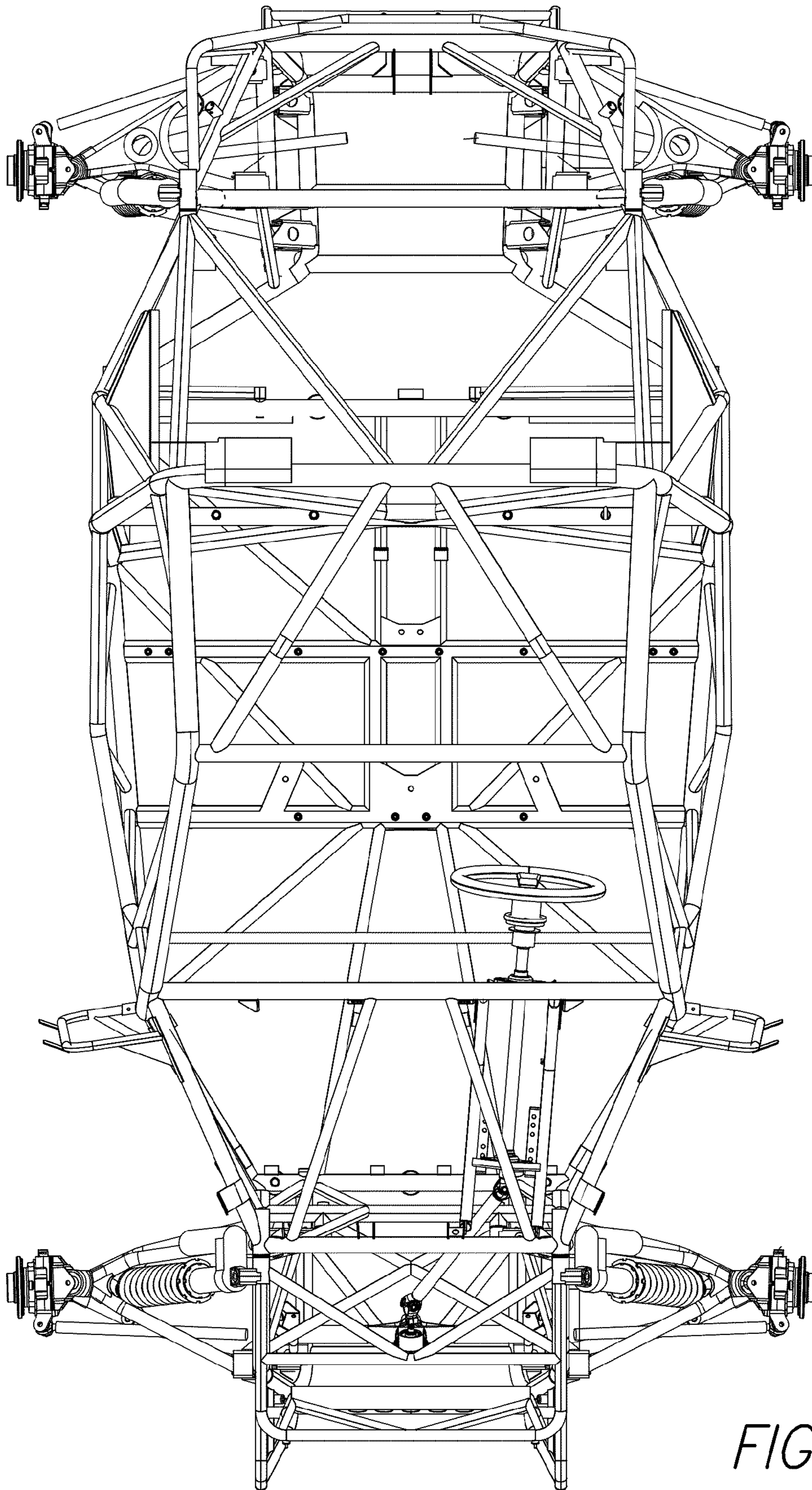


FIG. 6

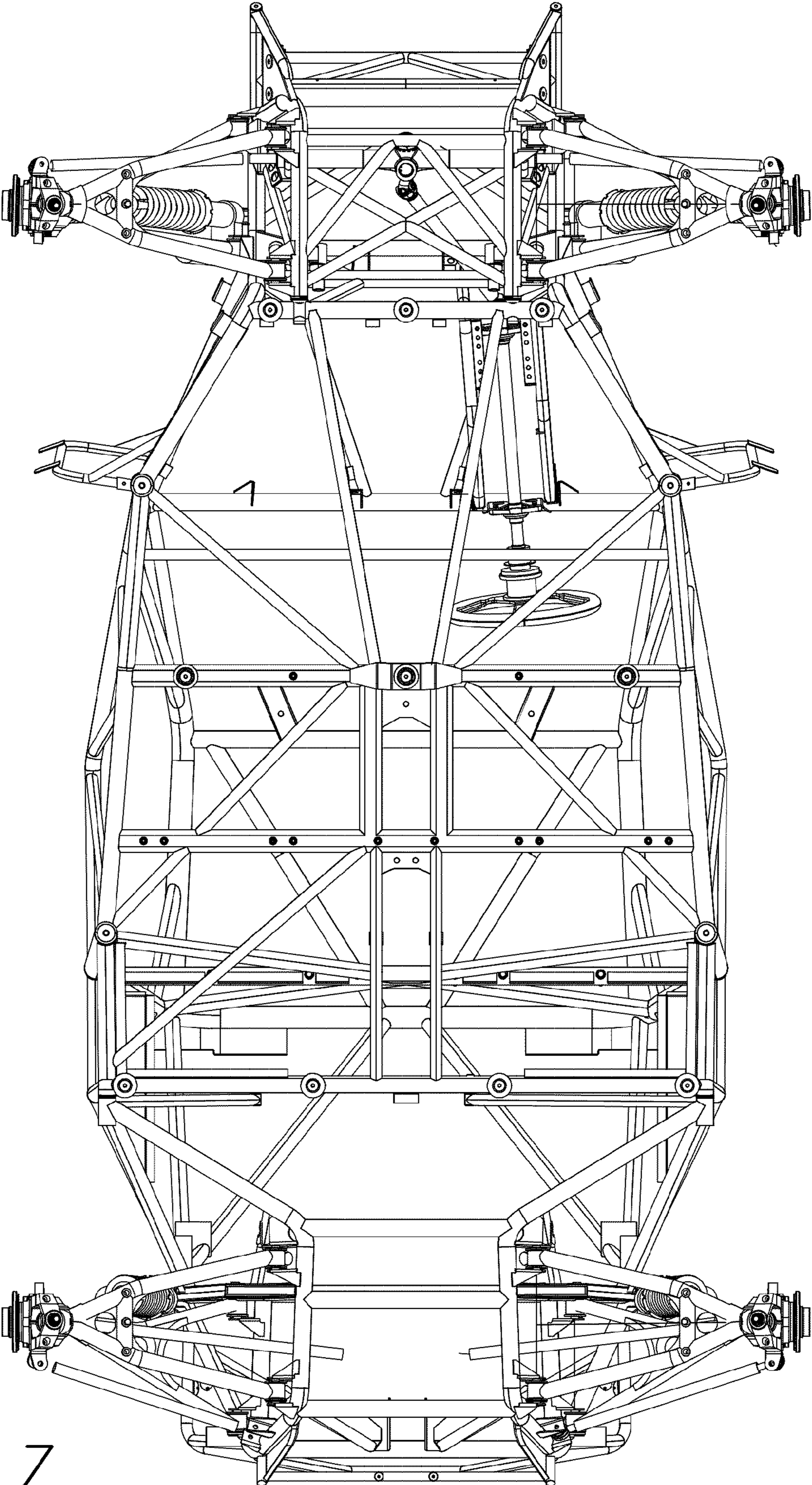


FIG. 7



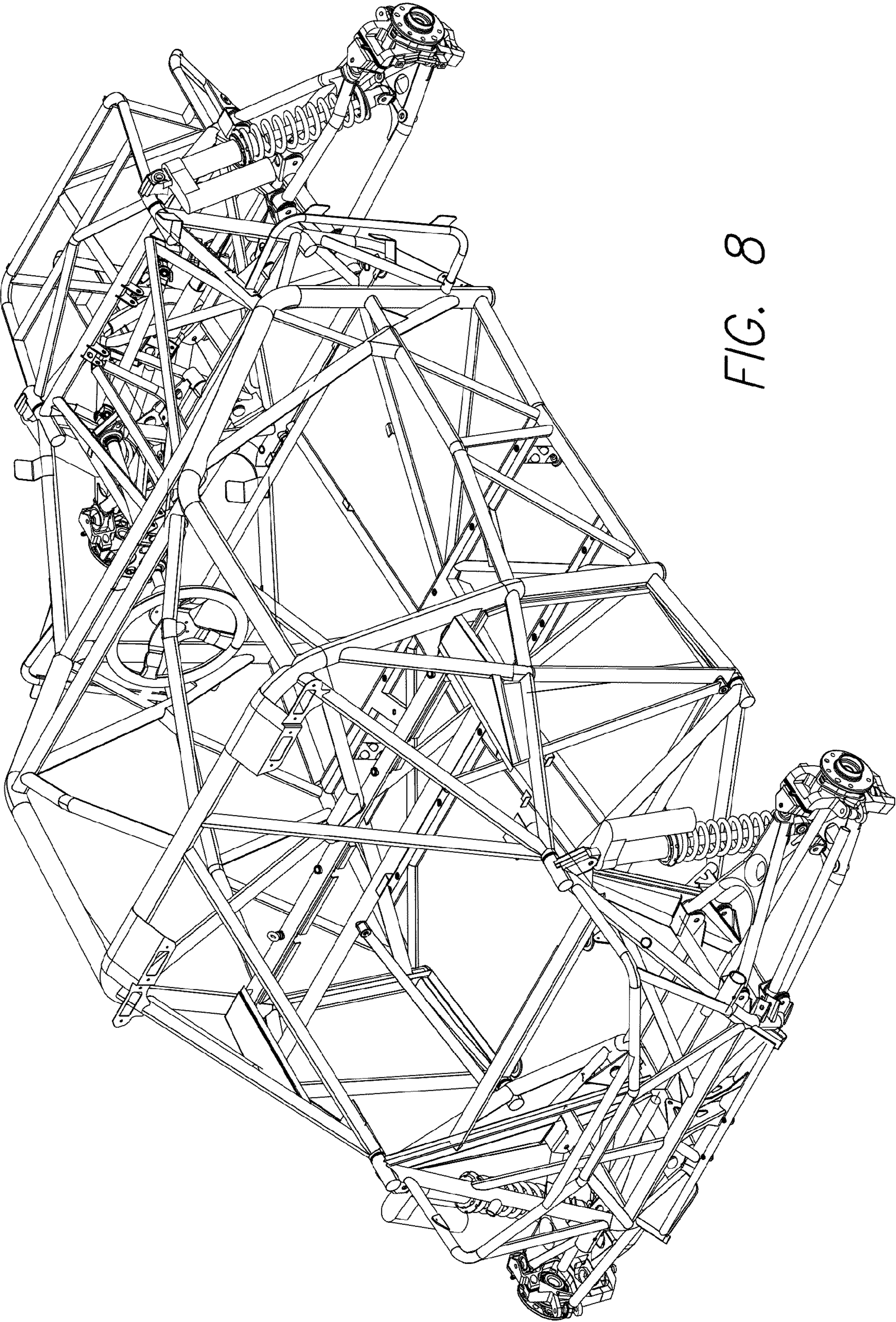


FIG. 8